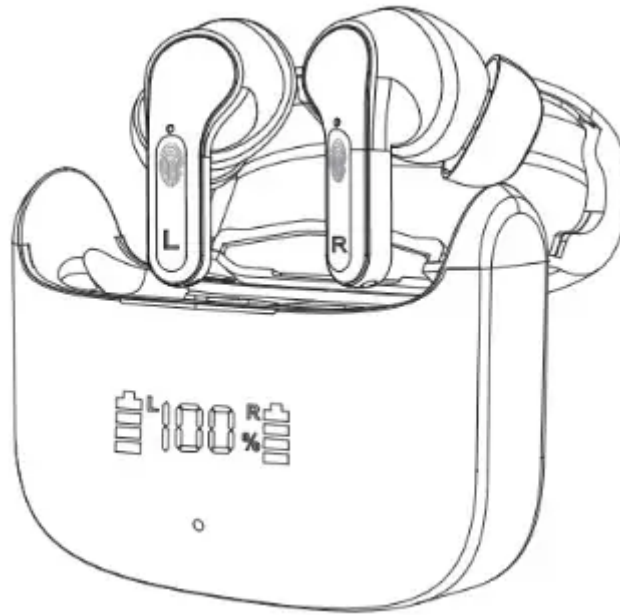


## I13 True Wireless Stereo Earphones User manual



### Compatibility:

This product is compatible with all Bluetooth- enabled mobile phones (iOS/Android/Windows Phone), tablet PCs, smart watches, notebooks and desktop computers.

### ACTIVATE WARRANTY

Support permanent replacement for damaged, defective, upgraded or lost item (No need to return the original one). Please activate within 15 days via below e-mail [motastservice@gmail.com](mailto:motastservice@gmail.com)

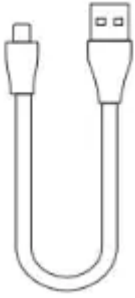
### Package Accessories



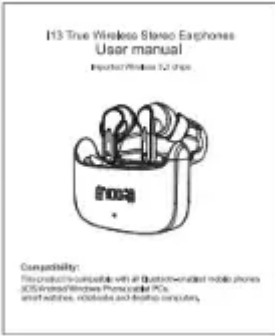
2 x Wireless Earbuds



1 x Charging Case



1 x USB Cable



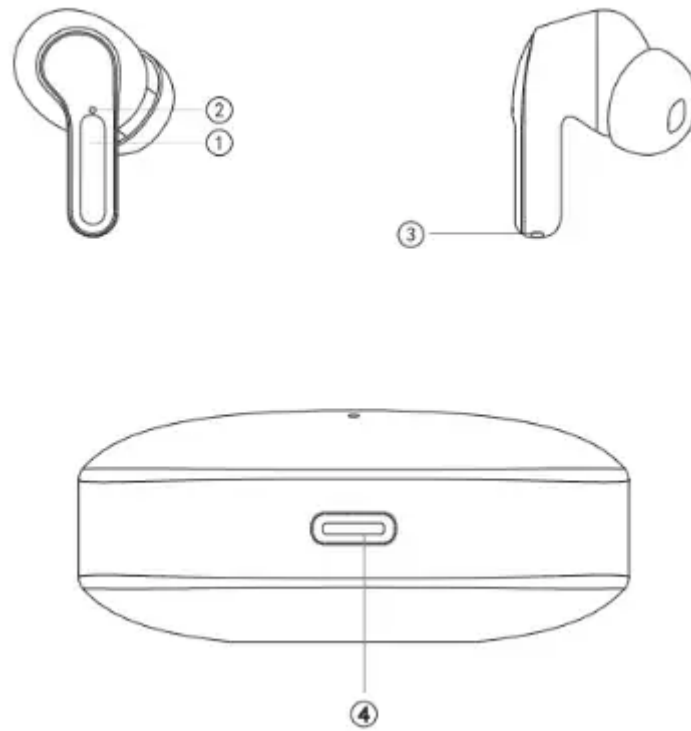
1 x User Manual



3 x Pairs of Ear Tips (L/M/S)

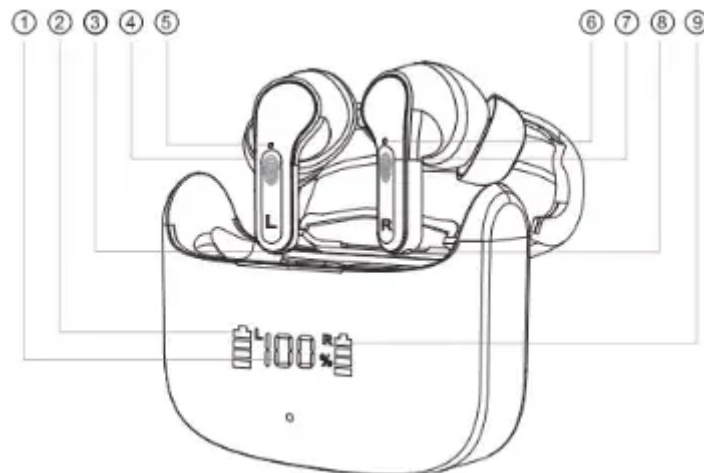


## Product Introduction



- ① Touch Button
- ② Touch Button
- ③ Headphone charging port
- ④ Type- C charging port

### Product details:



- ① Charging case digital display
- ② 9 Earphone digital display
- ③ 8 Earphone charging port
- ④ 7 Touch Button
- ⑤ 6 Earphone indicator

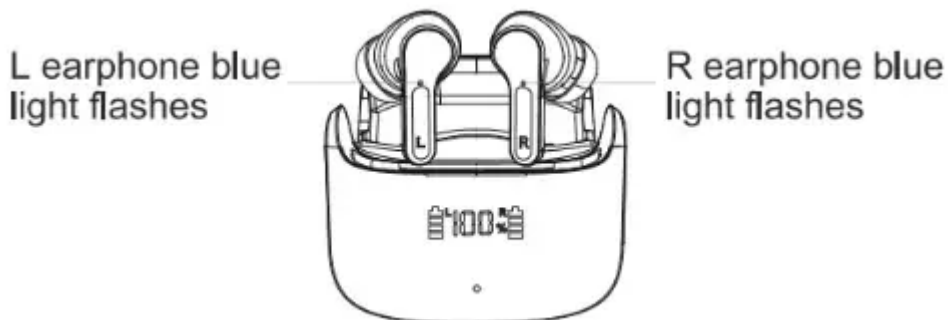
## Usage:

In order to get the best audio experience, please wear the left and right earphones correctly, and you will feel close, comfortable and stable in your ears after wearing them correctly. And please put your cellphones in the same side of left earphone during outdoor.

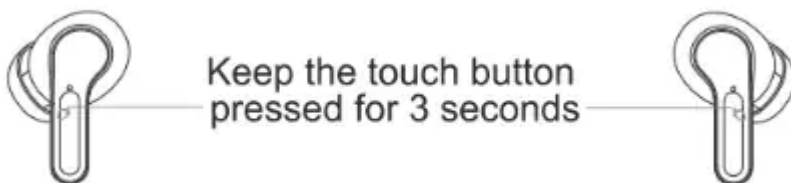


## Powering ON

**Method 1:** Take out the earphones from the charger case, and they will "power on"



**Method 2:** When the earphones are OFF, Keep the touch button of both earphones for 3-5seconds. The Led light flashes once and with a sound prompt: "power on".



## Powering OFF

**Method 1:** The earphones will switch off when put into the charger case.

**Method 2:** Keep the earphones touch button pressed for 3-5 until the Blue LED flashes with a sound prompt: "power off".

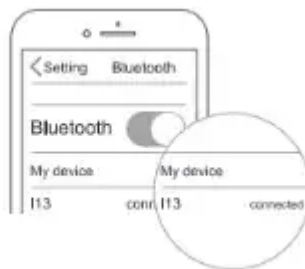
**Note:** If the earphones were disconnect with the device, the earphones will be power off automatically after 5mins.

## Stereo Mode:

1. Taking the earbuds out of the charging box, they will auto power on. After a few seconds, the left and right earbuds will auto connect each other. When the earbuds are connected to each other, the LED light will flash quickly. If they connect successfully, the earbuds LED light will flash slowly.



2. Open the bluetooth devices page inside settings. Search for "113" and select it to pair, the Earphone lights be off after the earphones connected with device.



**Note:** If the earphones connected the device once, and the bluetooth functions of device was open, the earphones will be reconnected with last device automatically.

## Reset Mode

In the power- on state, after 5 quick clicks L/R, the earphones is turned off (the blue light is off), and the pairing information between the earphones and the mobile phone is cleared after restarting.

## Play Music

1. Touch the button once to Pause/Play.
2. Keep press the touch button for 1 seconds and release it ("L"for previous song, "R" for next song)
3. Touch the button twice to adjust the volume("L"for decreasing,"R"for increasing)

## Voice Assistant

Touch the button three times to activate the Siri voice assistant

## Calling

1. When a call comes in, short press one of the touch buttons in order to answer the call or long press it to reject it.
2. During a phone call, short press the earphone button to end the call and the earphone will resume its previous working state.
3. During a call, the volume can be controlled via the mobile phone.
4. Stereo mode: both ears have voice.

## Specifications

- Model : I13
- Bluetooth version:V5.3
- Voltage rating and energy capacity: 3.7V/400mAh
- Battery capacity: 2\*3.7V/40mAh
- Earphone Charge time: Around 1.5 hour
- Music playing time: About 6-8h
- Bluetooth profiles supported: HFP/A2DP/AVRCP
- Operating frequency: 2.40 GHZ-2.48 GHZ
- RF Sensitivity: -92dBm
- Working temperature range: -10+50°C
- Maximum transmission range: ≤15M

## Packing list

Earphones \*2

USB cable \*1

Charging case \*1

Earcaps \*4(L\S)

User manual \*1

## Important

1. Host device is a connection between second device and your mobile phone, it is normal status under high power condumption.
2. When not connected to any device, the earphones will power off automatically after 5 minutes.

3. On iPhones the battery level of the earphones will be displayed in real time.
4. When the earphones and the charger case are not used for long periods of time, it is recommended to keep them in a dry place and to recharge them at least every 2 months.

## Troubleshooting (Fault)

Fault	Cause	Solutions
Can't power on	Earbuds are low battery/Crash	Charge the Earbuds/Keep the earphones touch button pressed for 8 seconds
No charging indication	The Earbuds are not well put into	Adjust Earbuds position
Automatically shut down	Earbuds are low battery	charge the Earbuds
The Earbuds have an echo	The volume is too high or the environment is too noisy	Adjust the volume or change position
The Earbuds are noisy	Outside environment interference or too far away from mobile phone	Change position, or move closer to the mobile phone
Small sound	wearing Earbuds incorrectly or the volume is too low	Adjust the Earbuds position or the mobile phone volume
Signal intermittent	Outside environment interference or too far away from mobile phone	Change to better environment or move closer to the mobile phone
Earbuds have no sound	Pairing unsuccessful between L and R Earbuds	Put the earphones into the charger case

### Warning

This content is compiled from multiple sources and is provided for reference purposes only. It may not be complete or fully applicable to all situations. If you are unable to resolve your issue, please contact the product manufacturer or an authorized service provider for official support.