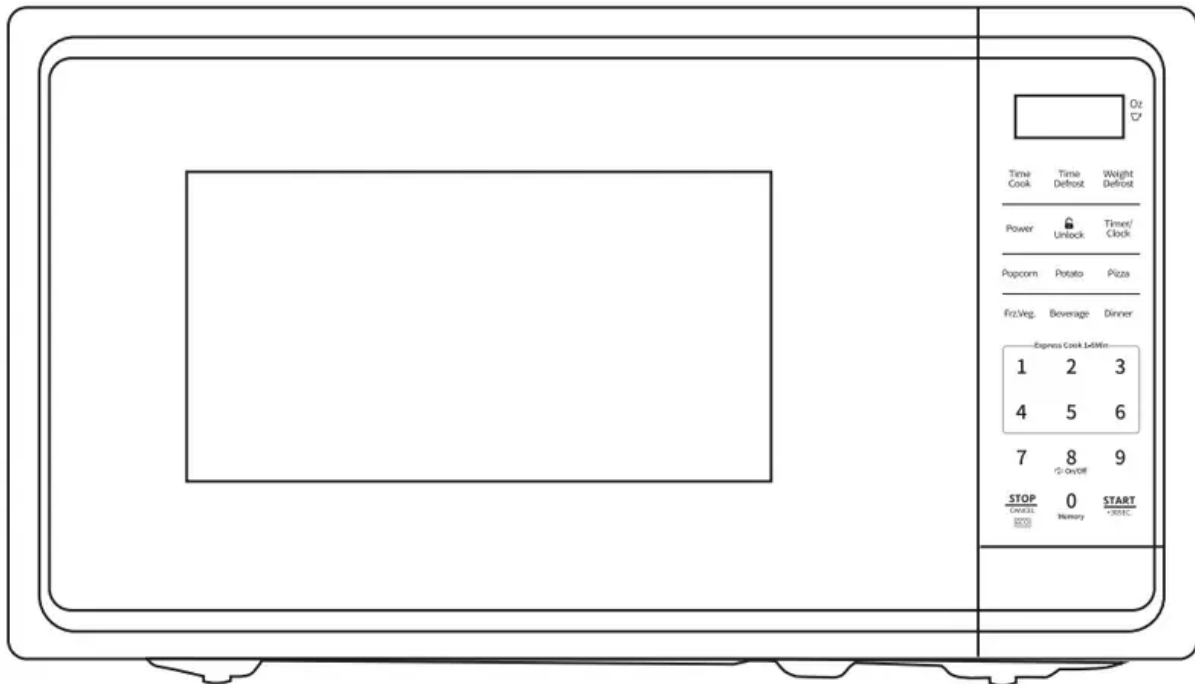


## USE AND CARE GUIDE MICROWAVE OVEN VISSANI

Item #1001 853 532

Model #EM720C2KH



## Safety Information

### IMPORTANT SAFETY INSTRUCTIONS

When using electrical appliances basic safety precautions should be followed, including the following:

#### **DANGER: ELECTRIC SHOCK HAZARD**

Touching some of the internal components can cause serious personal injury or death. DO NOT disassemble this appliance.

**WARNING:** To reduce the risk of burns, electric shock, fire, injury to persons or exposure to excessive microwave energy.

- Read all instructions before using the appliance.
- Read and follow the specific: "PRECAUTIONS TO AVOID POSSIBLE EXPOSURE TO EXCESSIVE MICROWAVE ENERGY" found on page 3.
- This appliance must be grounded. Connect only to properly grounded outlet. See "GROUNDING INSTRUCTIONS" found on page 3.
- Install or locate this appliance only in accordance with the provided installation instructions.

- Some products such as whole eggs and sealed containers - for example, closed glass jars - are able to explode and should not be heated in this oven.
- Use this appliance only for its intended use as described in the manual. DO NOT use corrosive chemicals or vapors in this appliance. This type of oven is specifically designed to heat, cook or dry food. It is not designed for industrial or laboratory use.
- HOT CONTENTS CAN CAUSE SEVERE BURNS. DO NOT ALLOW CHILDREN TO USE THE MICROWAVE. Use caution when removing hot items.
- DO NOT operate this appliance if it has a damaged cord or plug, if it is not working properly, or if it has been damaged or dropped.
- This appliance should be serviced only by qualified service personnel. Contact nearest authorized service facility for examination, repair, or adjustment.
- DO NOT cover or block any openings on the appliance.
- DO NOT store this appliance outdoors.
- DO NOT use this product near water - for example, near a kitchen sink, in a wet basement, near a swimming pool, or similar location.
- DO NOT immerse cord or plug in water.
- Keep cord away from heated surface.
- DO NOT let cord hang over edge of table or counter.
- When cleaning surfaces of door and oven that comes together on closing the door, use only mild, nonabrasive soaps, or detergent applied with a sponge or soft cloth.

## **PRECAUTIONS TO AVOID POSSIBLE EXPOSURE TO EXCESSIVE MICROWAVE ENERGY**

- DO NOT attempt to operate this oven with the door open since open door operation can result in harmful exposure to microwave energy.
- It is important not to defeat or tamper with the safety interlocks.
- DO NOT place any object between the oven front face and the door or allows soil or cleaner residue to accumulate on sealing surfaces.
- DO NOT operate the oven if it is damaged. It is particularly important that the oven door close properly and that there is no damage to the:
  - DOOR (bent)
  - HINGES AND LATCHES (broken or loosened)
  - DOOR SEALS AND SEALING SURFACES.
- The oven should not be adjusted or repaired by anyone except properly qualified service personnel.

To reduce the risk of fire in the oven cavity:

- DO NOT overcook food. Carefully attend appliance when paper, plastic, or other combustible materials are placed inside the oven to facilitate cooking.
- Remove wire twist-ties from paper or plastic bag before placing bag in oven.
- If material inside of the oven ignites, keep oven door closed, turn oven off, and disconnect the power cord, or shut off power at the fuse or circuit breaker panel. DO NOT use the cavity for storage purposes.
- DO NOT leave paper products, cooking utensils, or food in the cavity when not in use.
- Liquids, such as water, coffee, or tea are able to be overheated beyond the boiling point without appearing to be boiling. Visible bubbling or boiling when the container is removed from the microwave oven is not always present. THIS COULD RESULT IN VERY HOT LIQUID SUDDENLY BOILING OVER WHEN THE CONTAINER IS DISTURBED OR A SPOON OR OTHER UTENSIL IS INSERTED INTO THE LIQUID.

To reduce the risk of injury to persons:

- DO NOT overheat the liquid.
- Stir the liquid both before and halfway through heating it.
- DO NOT use straight-sided containers with narrow necks.
- After heating, allow the container to stand in the microwave oven for a short time before removing the container.
- Use extreme care when inserting a spoon or other utensil into the container.

## **GROUNDING INSTRUCTIONS**

This appliance must be grounded. In the event of an electrical short circuit, grounding reduces the risk of electric shock by providing an escape wire for the electric current. This appliance is equipped with a cord having a grounding wire with a grounding plug. The plug must be plugged into an outlet that is properly installed and grounded.

### **DANGER: ELECTRIC SHOCK HAZARD**

Improper use of the grounding can result in electric shock. DO NOT plug into an outlet until appliance is properly installed and grounded.

**WARNING:** Improper use of the grounding can result in a risk of electric shock. Consult a qualified electrician or serviceman if the grounding instructions are not completely understood, or if doubt exists as to whether the appliance is properly grounded. If it is necessary to use an extension cord, use only a 3-wire extension cord that has a 3-blade grounded plug, and 3-slot receptacle that will accept the plug on the appliance. The marked rating of the extension cord shall be equal to or greater than the electrical rating of the appliance.

A short power supply cord is provided to reduce the risks resulting from becoming entangled in or tripping over a longer cord. Longer cord sets or extension cords are available and may be used if care is exercised in their use.

If a long cord or extension cord is used:

- The marked electrical rating of the cord set or extension cord should be at least as great as the electrical rating of the appliance.
- The extension cord must be a grounding-type 3-wire cord.
- The longer cord should be arranged so that it will not drape over the counter top or tabletop where it can be pulled on by children or tripped over unintentionally.

## **RADIO INTERFERENCE**

Operation of the microwave oven may cause interference to your radio, TV or similar equipment.

When there is interference, it may be reduced or eliminated by taking the following measures:

- Clean door and sealing surface of the oven.
- Reorient the receiving antenna of radio or television.
- Relocate the microwave oven with respect to the receiver. Move the microwave oven away from the receiver.
- Plug the microwave oven into a different outlet so that microwave oven and receiver are on different branch circuits.

This equipment generates, uses and can radiate radio frequency energy and, if not installed and used in accordance with the instructions, may cause harmful interference to radio communications. However, there is no guarantee that interference will not occur in a particular installation. If this equipment does cause harmful interference to radio or television reception, which can be determined by turning the equipment off and on, the user is encouraged to try to correct the interference by one or more of the following measures:

- Reorient or relocate the receiving antenna.
- Increase the separation between the equipment and receiver.
- Connect the equipment into an outlet on a circuit different from that to which the receiver is connected.
- Consult the dealer or an experienced radio/TV technician for help.

This device complies with part 18 of the FCC Rules.

## Pre-Operation

### UTENSILS

**CAUTION: PERSONAL INJURY HAZARD** Tightly-closed utensils could explode. Closed containers should be opened and plastic pouches should be pierced before cooking.

See the instructions on "Materials you can use in microwave oven or to be avoided in microwave oven".

There may be certain non-metallic utensils that are not safe to use for microwaving.

If in doubt, you can test the utensil in question following the procedure below.

### UTENSILS TEST

1. Fill a microwave-safe container with 1 cup of cold water (250 ml) along with the utensil in question.
2. Cook on maximum power for 1 minute.
3. Carefully feel the utensil. If the empty utensil is warm, DO NOT use it for microwave cooking.
4. DO NOT exceed 1 minute cooking time.

## MATERIALS YOU CAN USE IN MICROWAVE OVEN

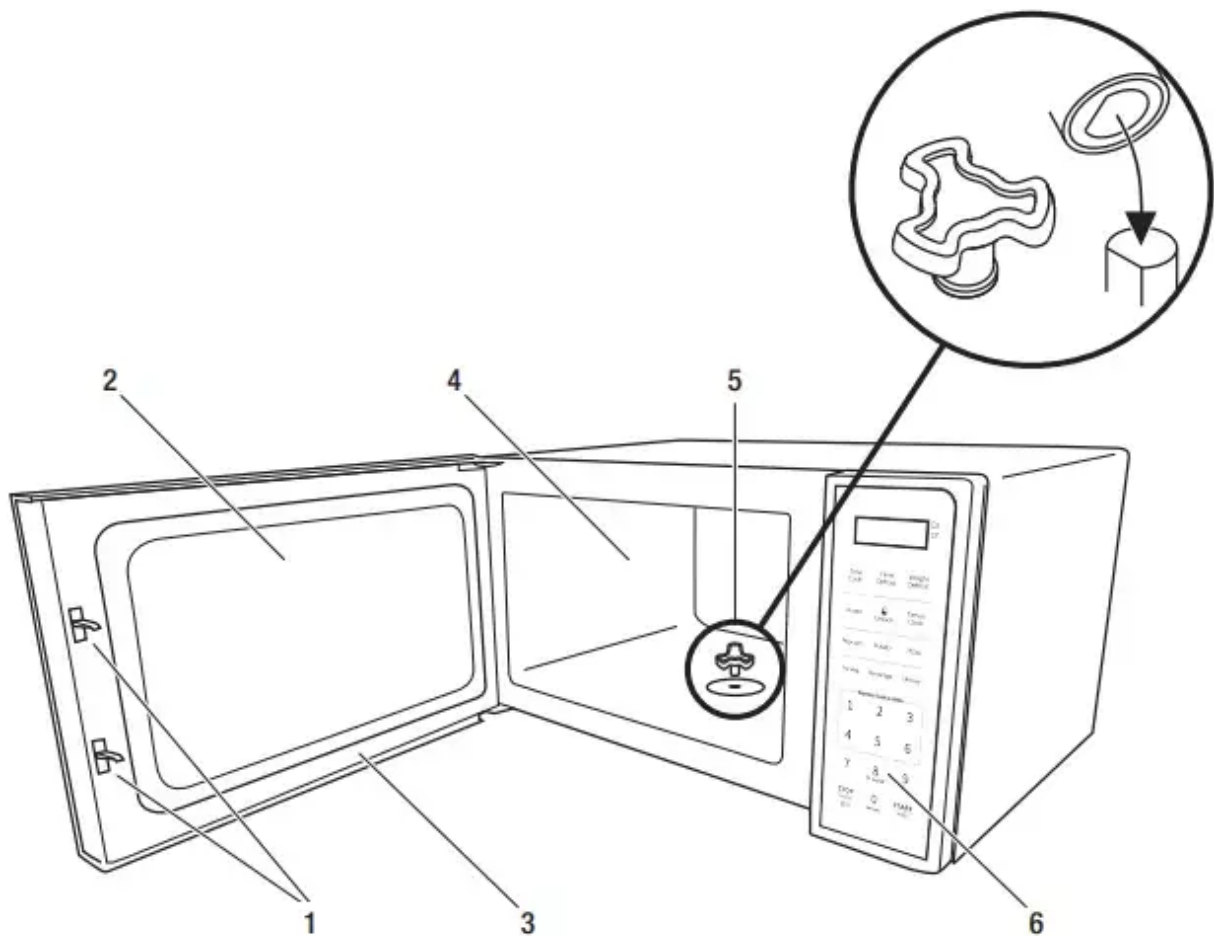
Material	Instructions
Browning dish	Follow manufacturer's instructions. The bottom of browning dish must be at least 3/16" (5mm) above the turntable. Incorrect usage may cause the turntable to break.
Dinnerware	Microwave-safe only. Follow manufacturer's instructions. DO NOT use cracked or chipped dishes.
Glass jars	Always remove lid. Use only to heat food until just warm. Most glass jars are not heat resistant and may break.
Glassware	Heat-resistant oven glassware only. Make sure there is no metallic trim. DO NOT use cracked or chipped dishes.
Oven cooking bags	Follow manufacturer's instructions. DO NOT close with metal tie. Make slits to allow steam to escape.
Paper plates and cups	Use for short term cooking/warming only. DO NOT leave oven unattended while cooking.
Paper towels	Use to cover food for reheating and absorbing fat. Use with supervision for a short-term cooking only.
Parchment paper	Use as a cover to prevent splattering or a wrap for steaming.
Plastic	Microwave-safe only. Follow the manufacturer's instructions. Should be labeled "Microwave Safe". Some plastic containers soften, as the food inside gets hot. "Boiling bags" and tightly closed plastic bags should be slit, pierced or vented as directed by package.
Plastic wrap	Microwave-safe only. Use to cover food during cooking to retain moisture. DO NOT allow plastic wrap to touch food.
Thermometers	Microwave-safe only (meat and candy thermometers).
Wax paper	Use as a cover to prevent splattering and retain moisture.

## MATERIALS TO BE AVOIDED IN MICROWAVE OVEN

Material	Instructions
Aluminum tray	May cause arcing. Transfer food into microwave-safe dish.
Food carton with metal handle	May cause arcing. Transfer food into microwave-safe dish.
Metal or metal-trimmed utensils	Metal shields the food from microwave energy. Metal trim may cause arcing.
Metal twist ties	May cause arcing and could cause a fire in the oven.
Paper bags	May cause a fire in the oven.
Plastic foam	Plastic foam may melt or contaminate the liquid inside when exposed to high temperature.
Wood	Wood will dry out when used in the microwave oven and may split or crack.

# Pre-Assembly

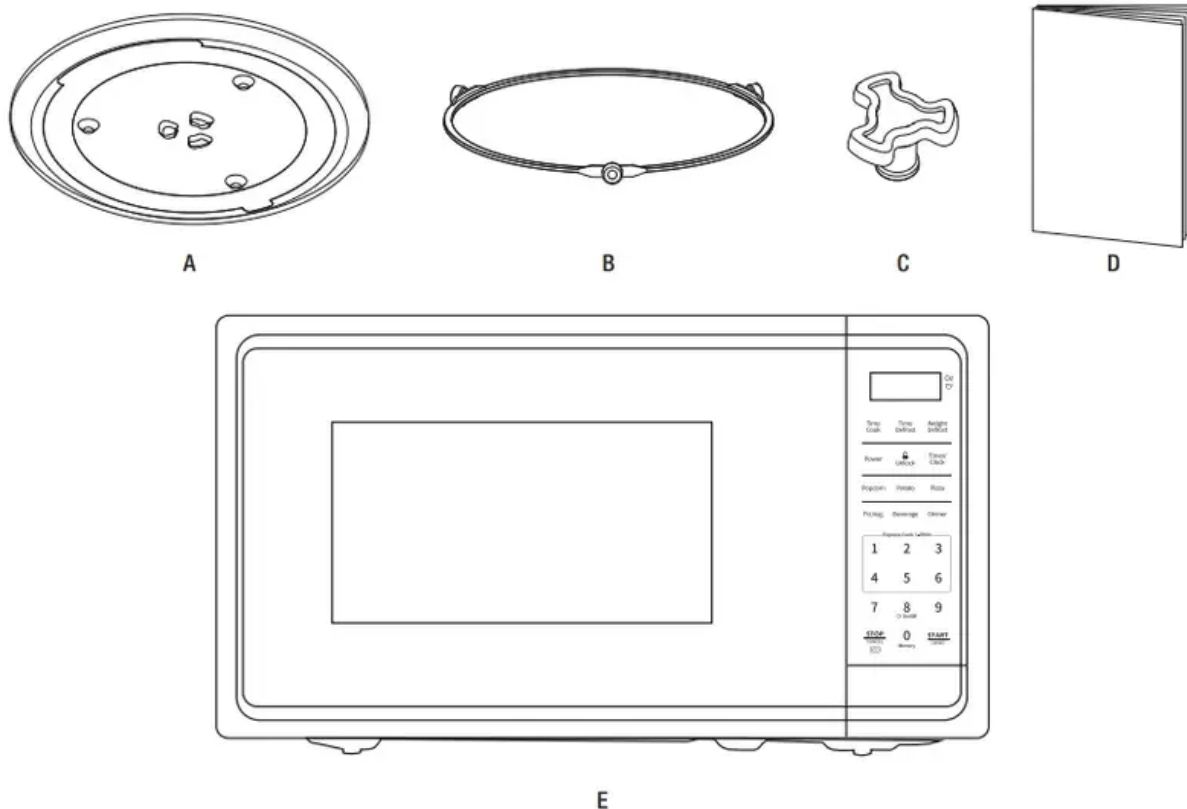
## Identification Of Oven Parts



1. Safety interlock system
2. Observation window
3. Door assembly
4. Oven cavity
5. Turntable shaft
6. Control panel

## Package Contents

In case of any differences between the appliance and the pictures in this manual, the product shall prevail. Remove the oven and all materials from the carton and oven cavity. Your oven comes with the following accessories:



Part	Description	Quantity
A	Glass tray	1
B	Turntable ring assembly	1
C	Turntable shaft	1
D	Instruction manual	1
E	Microwave oven	1

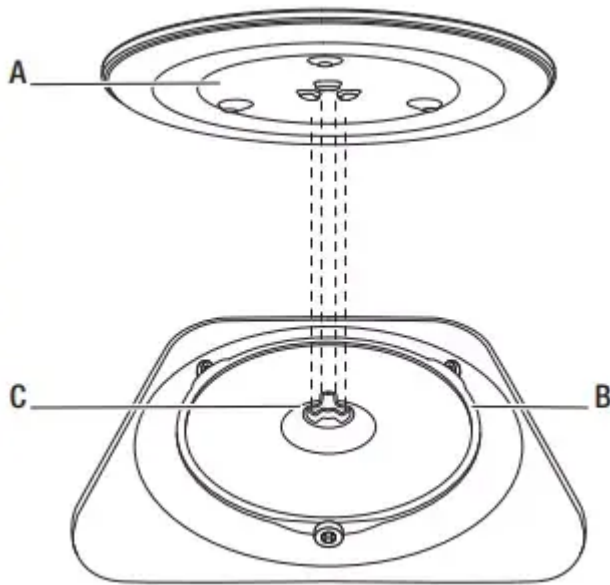
## Turntable Installation

Cleaning the cooking compartment and putting the turntable in place. For new installations, make sure all packaging and shipping tape has been removed from the turntable shaft. Before using the appliance to prepare food for the first time, you will need to put the turntable in place correctly. You must clean the cooking compartment and accessories.

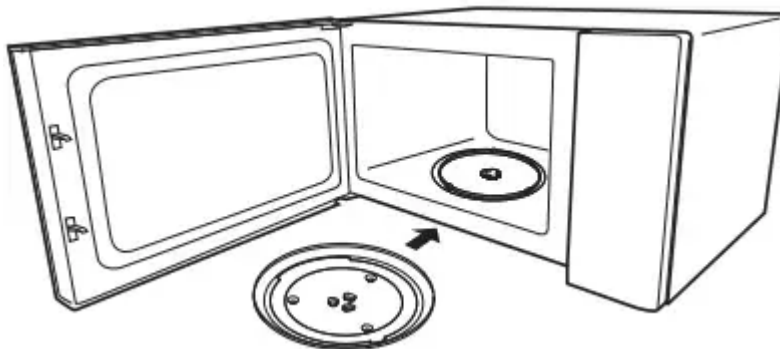
### 1. Assembling the turntable

- Place the turntable ring assembly (B) into the recess in the cooking compartment.
- Place the glass tray (A) on the turntable ring assembly (B). Fit the raised, curved lines in the center of the glass tray bottom between the three spokes of the shaft. Make sure

that the glass tray (A) engages in the turntable shaft (C) in the centre of the cooking compartment floor. The rollers on the shaft should fit inside the turntable bottom ridge.



## 2. Inserting the turntable in place



**NOTE:** Never use the appliance without the turntable.

- Make sure that it is properly engaged. The turntable can turn clockwise or anti-clockwise.
- Never place the glass tray upside down. The glass tray should never be restricted.
- Both glass tray and turntable ring assembly must always be used during cooking.
- All food and containers of food are always placed on the glass tray for cooking.
- Never restrict the movement of the turntable.
- If glass tray or turntable ring assembly cracks or breaks, contact your nearest authorized service center.

# Installation

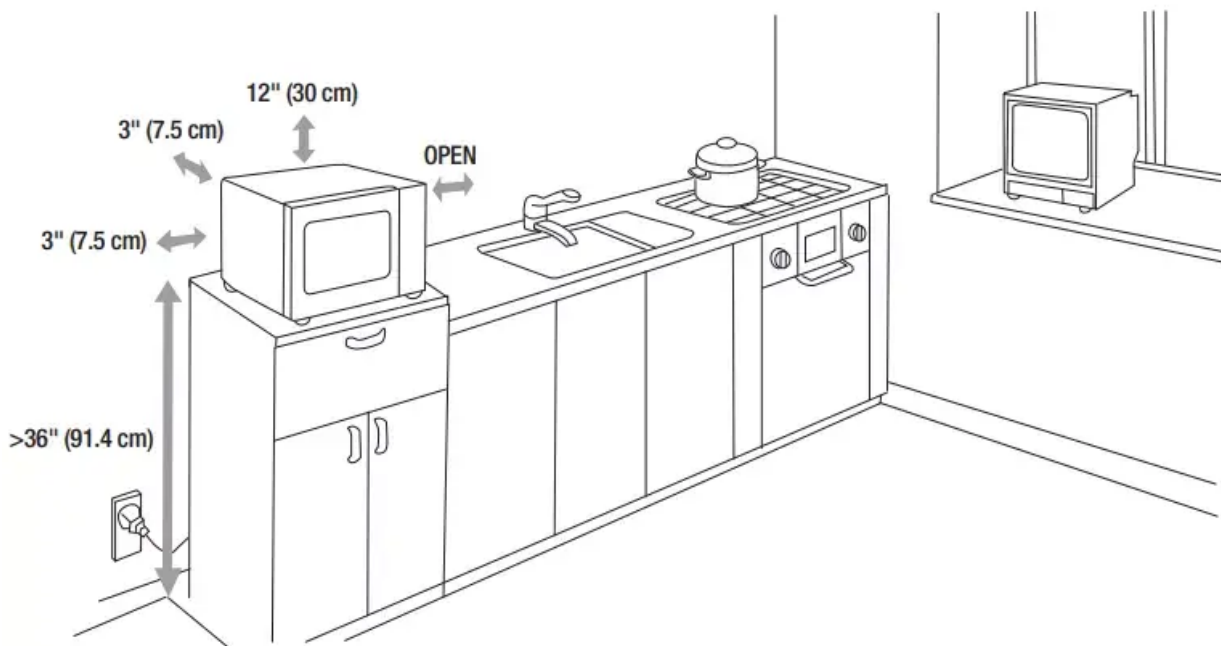
## COUNTERTOP INSTALLATION

- Remove all packing material and accessories. Examine the oven for any damage such as dents or broken door.
- DO NOT install if oven is damaged.
- Remove any protective film found on the microwave oven cabinet surface.
- DO NOT remove the waveguide cover that is attached to the oven cavity to protect the magnetron.

**WARNING:** DO NOT install oven over a range cooktop or other heat-producing appliance. If installed near or over a heat source, the oven could be damaged and the warranty would be void.

**CAUTION:** The accessible surface may be hot during operation.

Select a level surface that provides enough open space for the intake and/or outlet vents.



A minimum clearance of 3" (7.5 cm) is required between the oven and any adjacent walls. One side must be open.

The minimum installation height is 36" (91.4 cm).

1. Leave a minimum clearance of 12" (30 cm) above the oven.
2. DO NOT remove the legs from the bottom of the oven.
3. Blocking the intake and/or outlet openings can damage the oven.
4. Place the oven as far away from radios and TV as possible. Operation of microwave oven may cause interference to your radio or TV reception.

Plug your oven into a standard household outlet.

Be sure the voltage and the frequency is the same as the voltage and the frequency on the rating label.

## Operation


### SAFETY LOCK

Safety Lock is a system that safeguards against unintended activation of the oven, providing a protective measure to ensure child safety.


#### How the safety lock works

Initiating a cooking process triggers the door lock, and it also engages if the door remains unlocked for additional 30 minutes following the completion of the cooking. Safety Lock is active by default. It will only be deactivated if the user chooses to do so manually. Even in the event of a power disconnection, the oven will preserve the state of the safety lock, whether it is activated or deactivated.


#### Unlock the door

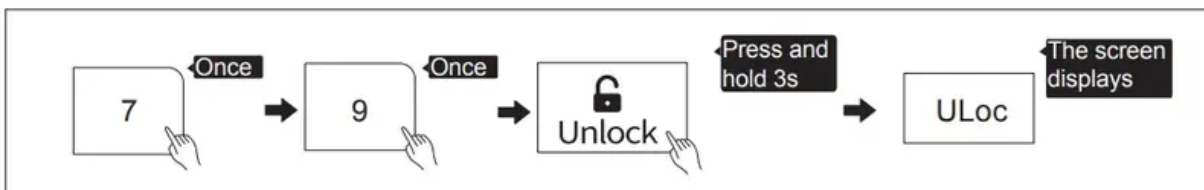
- Press  during operation and open the door within 10 seconds, or the safety lock will re-engage. The door will stay unlocked until cooking is initiated.

Or:


- Press  within 30 minutes after cooking is complete to manually disable the door lock and switch to standby mode. If no key is pressed, the safety lock will automatically disengage after 30 minutes.

#### Deactivate the safety lock

- If there are no children in the house, you can choose to permanently deactivate the safety lock function.
- Press "7", "9" in consecutive order and then press and hold  within 30 minutes after cooking is complete to manually disable the door lock and switch to standby mode. If no key is pressed, the safety lock will automatically disengage after 30 minutes.



## Re-activate the safety lock

- Press "7", "9" in consecutive order and then press and hold  **Unlock** for three seconds within 30 seconds, the screen will display "Loc", indicating the successful re-activation of the safety lock.

## SETTING THE CLOCK

1. Press *Timer/Cock* twice, the screen will display "00:00".
2. Press the number keys to enter the current time.
3. For example, time is 12:10 now, please press "1,2,1,0" in turn.
4. Press *Timer/Cock* to confirm. The clock is set.

**NOTE:** To reset the clock, please repeat step 1 to step 3. The clock is a 12-hour display. If the clock is not set, it will not work when powered.

## SETTING THE KITCHEN TIMER

- Press *Timer/Cock* once, the screen will display "00:00".
- Press the number keys to set the desired time. The maximum time value is "99:99".
- Press *START* to confirm. The timer starts counting down.

**NOTE:** To reset the clock, please repeat step 1 to step 3. The clock is a 12-hour display. If the clock is not set, it will not work when powered.

## MICROWAVE COOKING

11 power levels are available.

Level	10	9	8	7	6	5	4	3	2	1
Power	100%	90%	80%	70%	60%	50%	40%	30%	20%	10%
Display	PL10	PL9	PL8	PL7	PL6	PL5	PL4	PL3	PL2	PL1

Press once, the screen will display "00:00".

- Press *Timer/Cock* the number keys to set the cooking time. The maximum time value is "99:99". Press once, and "PL10" will display. Then press the number keys to set the power level.

The 11 power levels are available.

- Press *START* to start cooking.

Example: To cook the food with 50% microwave power for 15 minutes.

- Press *Timer/Cook* once. "00:00" displays.
- Press "1", "5", "0", and "0" in order.
- Press once, then press "5" to select 50% microwave power.
- Press *START* to start cooking.

**NOTE:** Opening the oven door or pressing *STOP* during operation will interrupt the current mode.

- If "PL0" is selected, the oven will work with a fan for no power. You can use this level to remove the odor of the oven.
- The power level can be changed during operation. Press *Power* once and then the current power will display for 3 seconds. Press the number keys to change the power. The oven will work with the selected power.

## SPEEDY COOKING

- In standby mode, pressing number keys 1 to 6 lets you quickly select a cooking time from 1 to 6 minutes. Then you can press *START* to increase the cooking time. The maximum time value is "99:99".
- In standby mode, press *START* to cook food at 100% power level for 30 seconds. Each press on the same key can increase 30 seconds and the maximum time value is "99:99".

**NOTE:** In the cooking state and defrosting by time state, each more press on *START* can increase the cooking time by 30 seconds (except for defrosting by weight, the auto menu, and the first stage of multi-stage cooking).

## DEFROST BY WEIGHT

- Press *Weight Defrost* once, "dEF1" will display.
- Press the number keys to set the weight of the food. The range of weight is 4 to 100 Oz.
- Press *START* to start defrosting.

## DEFROST BY TIME

- Press *Time Defrost* once and then the screen will display "dEF2".
- Press the number keys to set the desired defrost time. The maximum time value is "99:99".
- Press once, "PL3" will display. And then press the number keys to set the power level. (If you DO NOT need to set the power level, skip this step.)
- Press *START* to start defrosting.

**NOTE:** The defrost power is PL3 and it cannot be changed during defrosting. The buzzer will sound to remind you to turn the food over during defrosting. If no operation, the oven will continue working.

## MULTI-STAGE COOKING

**NOTE:** Two cooking stages can be set in multi-stage cooking. If you set the defrost function, it will work automatically in the first stage. The auto menu cannot be set as one of the multi-stage.

Example: Defrost food for 5 minutes and then cook with 80% microwave power for 7 minutes.

- Press *Time Defrost* once and then the screen will display "dEF2".
- Press "5", "0", and "0" to set the desired defrost time to 5 minutes.
- Press *Time Cook* once and then press T, "0" . and "0" to set the cooking time.
- Press *Power* once and then "PL10" will display.
- Press "8" to set the power level to PL8.
- Press *START* to start cooking.

## MEMORY FUNCTION

You can save the settings for a dish in the memory and call it up again.

- Press **0** repeatedly to select the memory 1-3 procedure. "1", "2" and "3" will display in order.
- If the procedure has been set, press *START* to start working. Otherwise, please continue to set.
- After finishing the setting, press *START* once to save the procedure.

Example: Set memory 2 (cook food with 80% microwave power for 3 minutes).

- In standby mode, press **0** twice.
- Press *Time Cook* once and then press the number keys "3", "0", and "0" in order.
- Press *Power* once and then press the number key "8".
- Press *START* to save the setting and "2" will display.

**NOTE:** If the power is not cut off, the procedure will be saved all the time. Auto menu, speedy cooking, and kitchen timer cannot be set as a memory function.

## AUTO MENU

- Press the corresponding menu key repeatedly to select the weight of food you want.
- Example: Press *Pizza* once and then "4.0" displays.  
Press *START* to start cooking.

## AUTO MENU CHART

Menu	Weight	Display	Power
Popcorn	1.75 Oz	1.75	PL10
	3.0 Oz	3.0 <sup>-</sup>	
	3.5 Oz	3.5 <sup>-</sup>	
Potato	1 (8 Oz)	1	PL10
	2 (16 Oz)	2	
	3 (24 Oz)	3	
Pizza	4.0 Oz	4.0 <sup>-</sup>	PL7
	8.0 Oz	8.0 <sup>-</sup>	
	14.0 Oz	14.0 <sup>-</sup>	
Frz.Veg.	4.0 Oz	4.0 <sup>-</sup>	PL10
	8.0 Oz	8.0 <sup>-</sup>	
	16.0 Oz	16.0 <sup>-</sup>	
Beverage	1 Cup (120ml)	1-	PL10
	2 Cups (240ml)	2-	
	3 Cups (360ml)	3-	
Dinner	9.0 Oz	9.0 <sup>-</sup>	PL7
	12.0 Oz	12.0 <sup>-</sup>	
	18.0 Oz	18.0 <sup>-</sup>	

## INQUIRING FUNCTION

You can save the settings for a dish in the memory and call it up again.

- If the clock has been set, the current time will display for three seconds by pressing *Time/Clock* in the cooking state.

- In the microwave cooking state, press *Power* to inquire about the power level. It will display for three seconds.

## LOCK FUNCTION FOR CHILDREN

You can use this function to prevent children from accidentally turning the oven on.

To activate the lock:

- In standby mode, press and hold *STOP/CANCEL* for three seconds. A beep sounds and "⏏" will display.

To deactivate the lock:

- In a locked state, press and hold *STOP/CANCEL* for three seconds. A beep sounds.

## ECO FUNCTION

To enter ECO mode:

- In standby mode, and the oven door is closed, press *STOP/CANCEL* once. The screen will turn off.

To cancel ECO mode:

- In ECO mode, pressing any key, or opening and closing the door will cancel it.

## Mute Mode

To activate Mute Mode:

- In standby mode, press and hold "8" for 3 seconds, a beep will sound and "OFF" will appear. When you press a key, no sound is emitted.

To deactivate Mute Mode:

- In Mute Mode, press and hold "8" for 3 seconds, a beep will sound and "ON" will appear.

## Specifications

<b>Model</b>	EM720C2KH
<b>Rated Voltage</b>	120 V a.c., 60 Hz
<b>Microwave Oven Input Power</b>	1050 W
<b>Microwave Oven Output Power</b>	700 W

## Troubleshooting

See the table below to find your problem and try to solve it. If the microwave oven still does not work properly, contact the nearest authorized service center.



<b>Problem</b>	<b>Possible Cause</b>	<b>Solution</b>
The oven will not start	<ul style="list-style-type: none"> <li>• The oven power cord is not plugged in.</li> <li>• The door is open.</li> <li>• Wrong setting for the intended use.</li> </ul>	<ul style="list-style-type: none"> <li>• Plug the cord into an outlet.</li> <li>• Close the door and try again.</li> <li>• Check the instructions.</li> </ul>
Arcing or sparking	<ul style="list-style-type: none"> <li>• Materials to be avoided are used in the microwave oven.</li> <li>• The oven is operated while empty.</li> <li>• Spilled food residues are in the cavity.</li> </ul>	<ul style="list-style-type: none"> <li>• Use only microwave-safe cookware.</li> <li>• DO NOT operate the oven when empty.</li> <li>• Clean the cavity with a wet towel.</li> </ul>
Unevenly cooked food	<ul style="list-style-type: none"> <li>• Materials to be avoided are used in the microwave oven.</li> <li>• Food is not completely defrosted.</li> <li>• Cooking time or power level is not suitable.</li> <li>• Food is not turned or stirred.</li> </ul>	<ul style="list-style-type: none"> <li>• Use only microwave-safe cookware.</li> <li>• Completely defrost food.</li> <li>• Use suitable cooking time and power level.</li> <li>• Turn or stir food.</li> </ul>
Overcooked food	<ul style="list-style-type: none"> <li>• Cooking time or power level is not suitable.</li> </ul>	<ul style="list-style-type: none"> <li>• Use suitable cooking time and power level.</li> </ul>

Undercooked food	<ul style="list-style-type: none"> <li>• Materials to be avoided are used in the microwave oven.</li> <li>• Food is not completely defrosted.</li> <li>• Oven ventilation ports are restricted.</li> <li>• Cooking time or power level is not suitable.</li> </ul>	<ul style="list-style-type: none"> <li>• Use only microwave-safe cookware.</li> <li>• Completely defrost food.</li> <li>• Check to see that oven ventilation ports are not restricted.</li> <li>• Use suitable cooking time and power level.</li> </ul>
Improper defrosting	<ul style="list-style-type: none"> <li>• Materials to be avoided are used in the microwave oven.</li> <li>• Cooking time or power level is not suitable.</li> <li>• Food is not turned or stirred.</li> </ul>	<ul style="list-style-type: none"> <li>• Use only microwave-safe cookware.</li> <li>• Use suitable cooking time and power level.</li> <li>• Turn or stir food.</li> </ul>

**Warning**

This content is compiled from multiple sources and is provided for reference purposes only. It may not be complete or fully applicable to all situations. If you are unable to resolve your issue, please contact the product manufacturer or an authorized service provider for official support.

