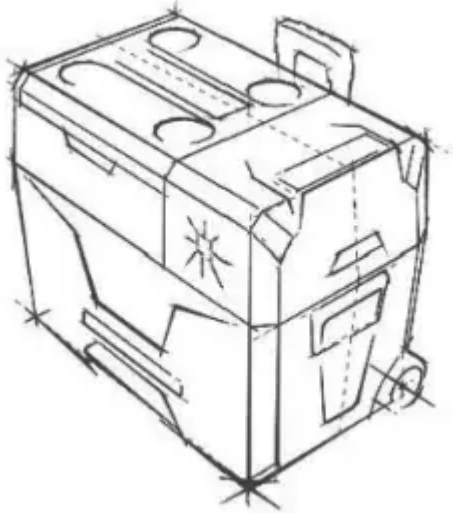


## **VEVOR TOUGH TOOLS, HALF PRICE**

Technical Support and E-Warranty Certificate [www.vevor.com/support](http://www.vevor.com/support)

### **CAR REFRIGERATOR USER MANUAL**



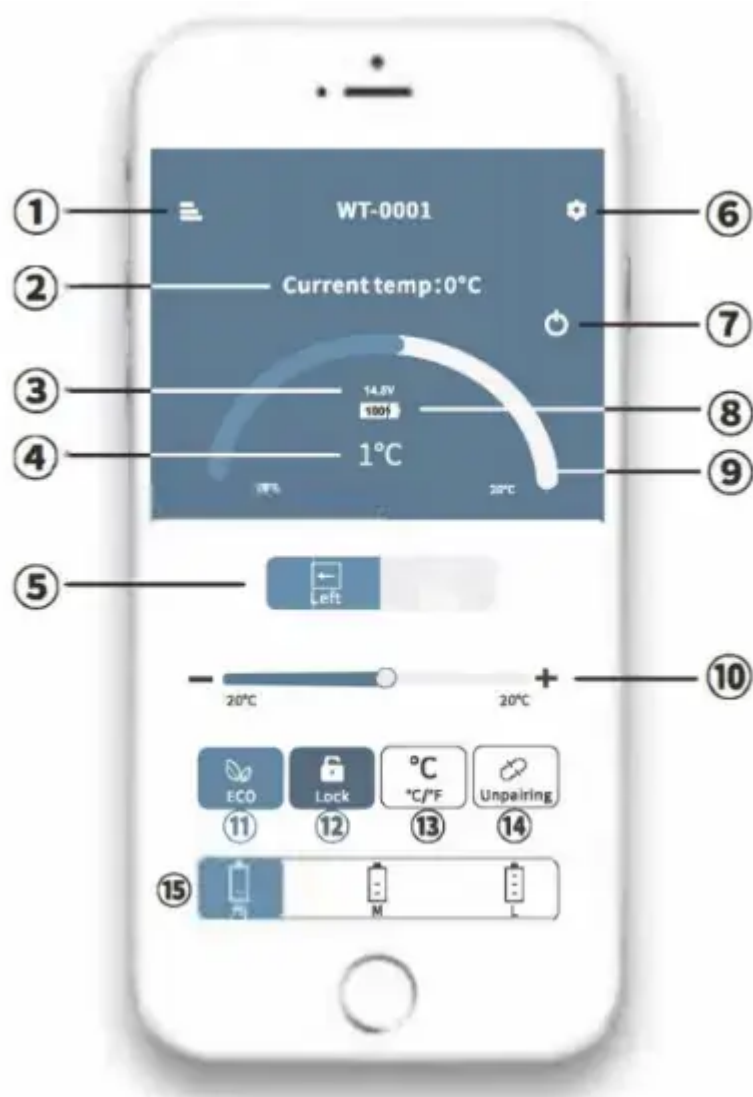
MODEL: CX30 CX40 CX50

We continue to be committed to provide you tools with competitive price. "Save Half", "Half Price" or any other similar expressions used by us only represents an estimate of savings you might benefit from buying certain tools with us compared to the major top brands and does not necessarily mean to cover all categories of tools offered by us. You are kindly reminded to verify carefully when you are placing an order with us if you are actually saving half in comparison with the top major brands.

### **SMART CONTROL-FRIDGEAPP INSTRUCTIONS**

First Step: Turn on the Bluetooth on your smart device; start the APP and click "Search" to find nearby fridges.

Second Step: Click fridge icon for Bluetooth pairing (the APP will prompt you to pair the fridge by pressing the set button on the fridge's control panel when connecting the fridge for the first time). After pairing, the APP will switch to the main interface allowing you to control the fridge.

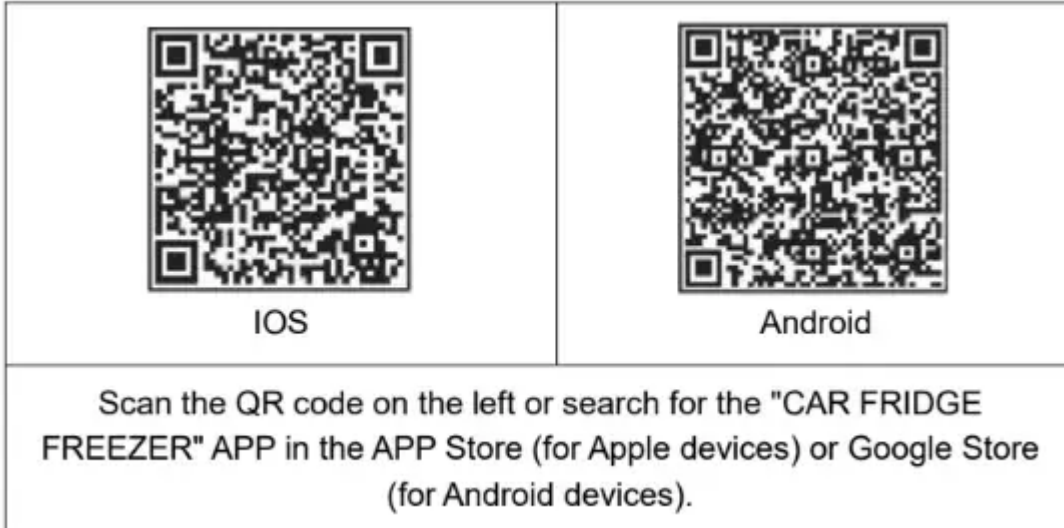


- 1 MENU
- 2 Current temperature
- 3 Current voltage
- 4 Target temperature
- 5 Switch Left/Right compartment
- 6 SET
- 7 ON/OFF
- 8 Current battery
- 9, 10 Temperature control
- 11 ECO(Energy-saving)/MAX(Fast-cooling)
- 12 Lock/Unlock
- 13 Celsius/Fahrenheit
- 14 Unpairing the device and return to search
- 15 Battery protection mode: High / Medium / Low

**Note:**

Click the lock icon on the APP to lock/unlock the control panel on the fridge, if locked, the fridge can only be controlled by the APP.

**Downloading the "CAR FRIDGE FREEZER" Application**



**NEED HELP? CONTACT US!**

Have product questions? Need technical support? Please feel free to contact us:

Technical Support and E-Warranty Certificate [www.vevor.com/support](http://www.vevor.com/support)

This is the original instruction, please read all manual instructions carefully before operating. VEVOR reserves a clear interpretation of our user manual. The appearance of the product shall be subject to the product you received. Please forgive us that we won't inform you again if there are any technology or software updates on our product.

**Warning**

To reduce the risk of injury, user must read instructions manual carefully.

This product is subject to the provision of European Directive 2012/19/EC. The symbol showing a wheelie bin crossed through indicates that the product requires separate refuse collection in the European Union. This applies to the product and all accessories marked with this symbol. Products marked as such may not be discarded with normal domestic waste, but must be taken to a collection point for recycling electrical and electronic devices.

**Attentions**

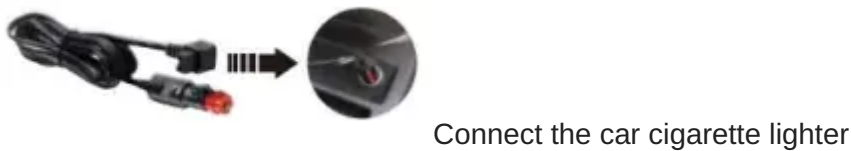
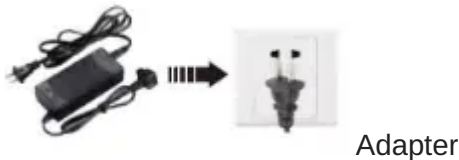
Before using the refrigerator, please read this manual carefully and keep it properly.



1. Before using the refrigerator, clean it inside and outside with a damp cloth.
2. Do not fill the refrigerator with corrosive liquids. Do not directly pour liquids into the refrigerator.
3. When the refrigerator is not used for a long time, please disconnect the power supply and keep it dry.
4. Regularly clean the inner chamber to prevent odor and bacteria and ensure food safety.
5. Shut down the refrigerator and battery before pulling by the trolley (If with battery).

## Connect the Power Supply

1. Find the DC power cord in the kit. Connect DC plug to the power outlet of the car refrigerator.
2. Well place the refrigerators in the car (back-up, seats...).
3. Lay out power cords per your car's interior space. Insert the cigarette lighter plug (one side of the power cord) into the car cigarette lighter hole.



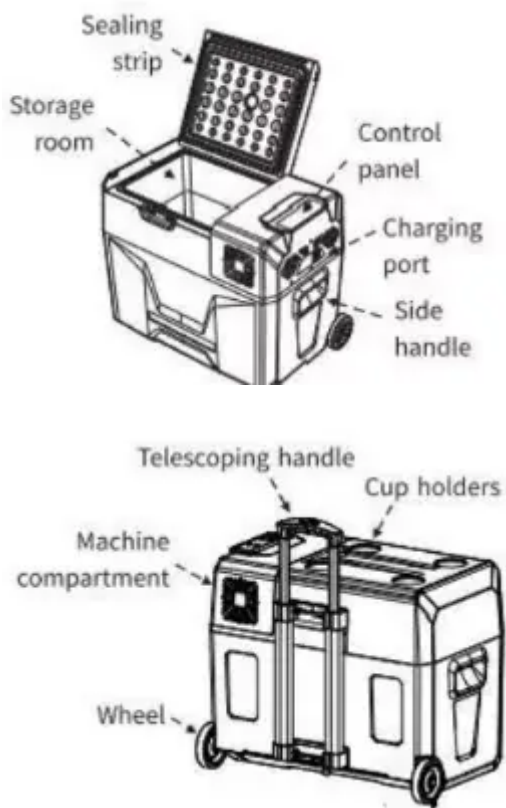
DC 12/24V DC 12/24V

Connect the car refrigerator

1. The refrigerator can be connected to more than one energy source.
2. The refrigerator can connect directly to the DC12V/24V power supply.
3. If the refrigerator is 'AC100-240V power supply, an AC adapter should be adopted.

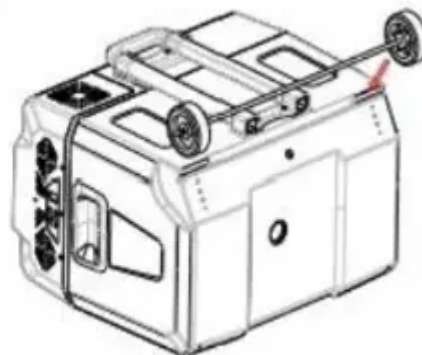
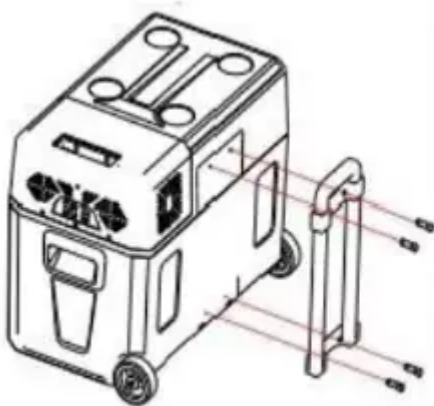
# Car Refrigerator Operation

## Component Diagram

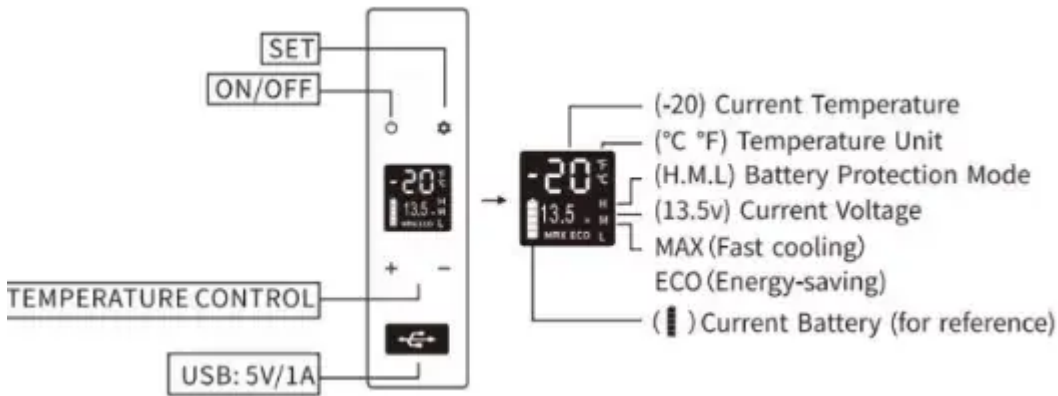


\* Note: The telescoping handle and wheels were installed before leaving the factory. If you need to replace them, please follow these steps to install them.

- Telescoping handle installation: use a Phillips screwdriver to tighten the 4 screws.
- Wheel installation: use a rubber hammer to knock the wheel axle into the slot (if you use a iron hammer, a layer of cloth should be placed on the box and axle to prevent damage). After installation, place the refrigerator horizontally for more than 4 hours before turning it on.



## Function and operation



- Power Supply: connect to DC 12V/24V or AC 100-240V power (using dedicated adapter).
- Display Screen Initialization: connect to the power supply, the buzzer will make a long beep, and the display will be on for two seconds then enter the normal operating mode.
- Power ON/OFF: press to switch ON/OFF.
- Temperature Setting: press + or - for temperature setting, the setting will be saved automatically after stopping operating for three seconds. Note: the temperature displayed is the current temperature of the compartment, it'll take a while to reach the set temperature. Temperature setting range: -20~20°C(-4~68°F)
- Cooling Mode: under the running state, press to switch MAX (fast cooling) and ECO (Energy saving Mode). (\*Factory setting is MAX.)
- Battery Protection Mode: under the running state, long press or three seconds until screen flashes, then press again to select protection mode H(High), M(Medium) and L(Low) (\*Factory setting is M).

### Voltage Reference:

INPUT MODE	DC 12V		DC 24V	
	CUT OUT	CUT IN	CUT OUT	CUT IN
L	8.5V	10.9V	21.3V	22.7V
M	10.1V	11.4V	22.3V	23.7V
H	11.1V	12.4V	24.3V	25.7V

\*the voltage is theoretical value, there may be a deviation in different sceneries.

\*H should be set when the product is connected to car power, and M or L should be set when it is connected to a portable battery or other back-up battery.

- Temperature Unit Setting: switch OFF the fridge, long press for three seconds until E1 displays, then switch to E5 by pressing again. Under E5 mode, press + or - to select Celsius or Fahrenheit.
- Reset: switch OFF the fridge, long press for three seconds until E1 displays, under E1 mode, long press + and - at the same time for three seconds to reset it.
- For Built-in lithium battery type(optional): battery function can be open or closed by pressing the button C beside the charging port. Fully charged the lithium battery needs 3-4 hours when the refrigerator is in standby mode. When the refrigerator is running, the power is mainly used for compressor, which may cause the lithium battery to charge slowly. The battery icon on the refrigerator control panel will show charging status and current battery.

### Recommended temperature for common food:

Drinks	Fruits	Vegetable	Delicatessen	Wine	Ice cream	Meat
5°C/ 41°F	5~8°C/ 41~46°F	3~10°C/ 37~50°F	4°C/39°F	10°C/ 50°F	-10°C/ 14°F	-18°C/ 0°F

## Things to note

### Cleaning:

Switch off and unplug the device first to avoid electric shock. Use wet cloth to clean the device and dry it. Do not soak the fridge in water and do not wash it directly. Do not use abrasive cleaning agents during cleaning as these can damage the device.

### Storage:

If the device will not be in use for a long time, please follow the instruction:

- Switch off and unplug the device.
- Take out all the items stored in the device.
- Wipe off excess water with a soft rag.
- Put the fridge in a cool and dry place.
- Leave the lid slightly open to prevent odors from forming.
- Recommended storage environment:
- Ambient temperature: 25°C, ambient humidity: ≤75%.

### Defrosting:

Humidity can form frost in the interior of the cooling device or on the evaporator. This reduces the cooling capacity. Defrost the device in good time to avoid this.

- Switch off and unplug the device first to avoid electric shock.
- Take out all the items stored in the device.

- Keep the lid open.

- Wipe off the defrosted water.

Never use hard or pointed tools to remove ice or to loosen objects which have frozen in place.

## **Troubleshooting methods**

Advice: If abnormal situations cannot be resolved through a simple fault analysis, please get in touch with professional customer service for assistance.

Issues	Cause/Suggestions
Refrigerator does not work	<ul style="list-style-type: none"> <li>·Check if the switch is on.</li> <li>·Check if the plug and socket are connected well</li> <li>·Check if the fuse has been burnt.</li> <li>·Check if the power supply is malfunctioned</li> <li>·Switch on/off the fridge frequently may cause start delay of the compressor</li> </ul>
Refrigerator compartments are too warm	<ul style="list-style-type: none"> <li>·The door is opened frequently.</li> <li>·A large amount of warm or hot food was stored recently</li> <li>·The refrigerator has been disconnected for a long time</li> </ul>
Food is frozen	<ul style="list-style-type: none"> <li>·The temperature was set too low</li> </ul>
There is "water flow" noise from inside the refrigerator	<ul style="list-style-type: none"> <li>·It's a normal phenomenon, caused by the flow of refrigerant.</li> </ul>
There are water drops around the refrigerator casing or door gap	<ul style="list-style-type: none"> <li>·It's a normal phenomenon, the moisture will condense to water when it touches a cold surface of the refrigerator.</li> </ul>
The compressor is slightly noisy when starting	<ul style="list-style-type: none"> <li>·It's a normal phenomenon, the noise will be reduced after the compressor works stably</li> </ul>
Code F1 displayed	<ul style="list-style-type: none"> <li>·Possible cause: low voltage to fridge.</li> <li>Adjust the battery protection from High to Medium or from Medium to Low</li> </ul>
Code F2 displayed	<ul style="list-style-type: none"> <li>·Possible cause: condenser fan is overloaded.</li> <li>Disconnect power to fridge for 5 minutes &amp; re-start.</li> <li>If the code shows again, contact manufacturer for service</li> </ul>
Code F3 displayed	<ul style="list-style-type: none"> <li>·Possible cause: the compressor starts too frequently</li> <li>Disconnect power to fridge for 5 minutes &amp; re-start</li> <li>If the code shows again, contact manufacturer for service</li> </ul>
Code F4 displayed	<ul style="list-style-type: none"> <li>·Possible cause: compressor not kicking in</li> <li>Disconnect power to fridge for 5 minutes &amp; re-start.</li> <li>If the code shows again, contact manufacturer for service</li> </ul>
Code F5 displayed	<ul style="list-style-type: none"> <li>·Possible cause: overheating of the compressor &amp; electronics</li> <li>Disconnect power to fridge for 5 minutes &amp; re-start.</li> <li>If the code shows again, contact manufacturer for service</li> </ul>



Code F6 displayed	·Possible cause: no parameter can be detected by the controller Disconnect power to fridge for 5 minutes & re-start If the code shows again, contact manufacturer for service
Code F7 or F8 displayed	·Possible cause: temperature sensor is faulty Contact manufacturer for service

## Packing List

No.	Item	Qty	Remark
1	Refrigerator	1 set	
2	Cigarette wire	1 set	
3	Power adapter	1 set	
4	Manual	1 pcs	

1. If equipped with a backup battery, you can maintain any temperature you set under any circumstances without worries.
2. When placing ice cream, please adjust the temperature to the lowest; it must be powered on for a long time.
3. Prevent the health problems of drinking bottled water caused by high temperatures.
4. Frozen food, rare seafood, and vehicle-mounted refrigerators let frozen fresh food accompany the journey.
5. Healthcare products, insulin, and imported drugs need to be refrigerated, and the precise temperature control of onboard refrigerators will escort health along the way.
6. The tea leaves are effectively kept fresh in the car refrigerator, and you can drink fresh and delicious tea anytime during the self-driving tour.
7. The best storage temperature of red wine is 10°C - 18°C (50 - 64.4 F). The precise temperature control of the car refrigerator can effectively ensure the storage temperature of red wine.
8. The storage time of high-grade fruit in the car at high summer temperatures will be at least 2 hours. The storage time is shorter even if the air conditioner is turned on. Using a car refrigerator can effectively preserve high-grade fruit.
9. The coating of high-grade sunglasses will fall off under the high temperature in summer. The car refrigerator is an ideal place to place it.
10. High-grade cosmetics quickly deteriorate under high temperatures in the car. Carry cosmetics with the car; the car refrigerator will be your better choice.

## **Do not operate the appliance if it is visibly damaged.**

Do not block the gaps of the fridge with things like pin, wire, etc.

Do not expose the appliance to rain or soak it in water.

Do not place the appliance near naked flames or other heat sources (heaters, direct sunlight, gas ovens etc.)

Do not store any explosive substances like spray cans with a flammable propellant.

Ensure the supply cord is dry and not trapped or damaged. Do not locate multiple portable socket-outlets or portable power supplies at the rear of the appliance.

Check the voltage specification on the type plate corresponds to that of the energy supply. The appliance is only to be used with the power supply unit provided with the appliance.

Do not use electrical appliances inside the food storage compartments of the appliance, unless they are of the type recommended by the manufacturer.

Once unpacked and before turning on, the appliance must be placed on a level surface for more than 6 hours.

Make sure that the appliance stays horizontally when it is running. The tilt angle must be less than 5° for longtime running and be less than 45° for short time running.

Keep the ventilation openings in the unit casing or in the built-in structure free of obstacles.

Keep the appliance stable on the ground or in the car; Do not drain upside down.

When positioning the appliance, ensure the supply cord is not trapped or damaged.

Do not locate multiple portable socket-outlets or portable power supplies at the rear of the appliance.

Risk of child entrapment. Before you throw away your old refrigerator or freezer: \*Take off the doors. \*Leave the shelves in place so that children may not easily climb inside.

- Do not use mechanical devices or other means to accelerate the defrosting process, other than those recommended by the manufacturer.

Risk of fire/flammable materials.

## **CAUTION!**

Repairs may only be carried out by qualified personnel. Incorrect repair may cause danger. The lamp and supply cord must be replaced by the manufacturer or qualified persons.

The installation of DC power in the boat must be handled by qualified electricians.

Children shall not play with the appliance. Cleaning and user maintenance shall not be made by children without supervision.

The appliance can be used by children aged from 8 years and above and persons with reduced physical, sensory or mental capabilities or lack of experience and knowledge if they've been given supervision or instruction concerning use of the device in a safe way and understand the hazards.

## NOTICE!

Disconnect the power supply before each cleaning and maintenance and after every use.

Do not use sharp tools to defrost; Do not damage the refrigerant circuit.

Risk of child entrapment. Before you throw away your old refrigerator or freezer: take off the doors: leave the shelves in place so that children may not easily climb inside.

Check if the cooling capacity of the appliance is suitable for storing the food or medicine. Food may only be stored in its original packaging or in suitable containers.

If the appliance is left empty for long periods, switch off, defrost, clean, dry, and leave the door open to prevent mould developing within the appliance.

- The appliance is intended to be used in household and similar applications such as:
- Staff kitchen areas in shops, offices and other working environments;
- Camping, Farm houses and by clients in hotels, motels and other residential environments;
- Bed and breakfast type environments;
- Catering and similar non-retail applications.
- To avoid contamination of drink, please respect the following instructions:
- Opening the door for long periods can cause a significant increase of the temperature in the compartments of the appliance.
- Clean regularly surfaces that can come in contact with drink and accessible drainage systems.
- Store raw meat and fish in suitable containers in the refrigerator, so that it is not in contact with or drip onto other food;
- If the refrigerating appliance is left empty for long periods, switch off, defrost, clean, dry, and leave the door open to prevent mould developing within the appliance.

Please according to local regulations regarding disposal of the appliance for its flammable refrigerant and blowing gas.

**WARNING:** This appliance contains flammable foaming agent cyclopentane:

- 1) Please avoid contact fire when you transport and use it.
- 2) Please ask a professional for servicing when the machine breaks down.
- 3) Please send it to your local appointed disposal station when you discard it.

**WARNING:** During use, service, and disposal of the appliance, please pay attention to a symbol similar to the left side, which is located on the rear of the appliance (rear panel or compressor) and with yellow or orange color. It's a risk of fire warning symbol. There are flammable materials in refrigerant pipes and compressors. Please be far away fire source during use, service, and disposal.

### Warning

This content is compiled from multiple sources and is provided for reference purposes only. It may not be complete or fully applicable to all situations. If you are unable to resolve your issue, please contact the product manufacturer or an authorized service provider for official support.

---

Document generated by [ManualsFile](#)

