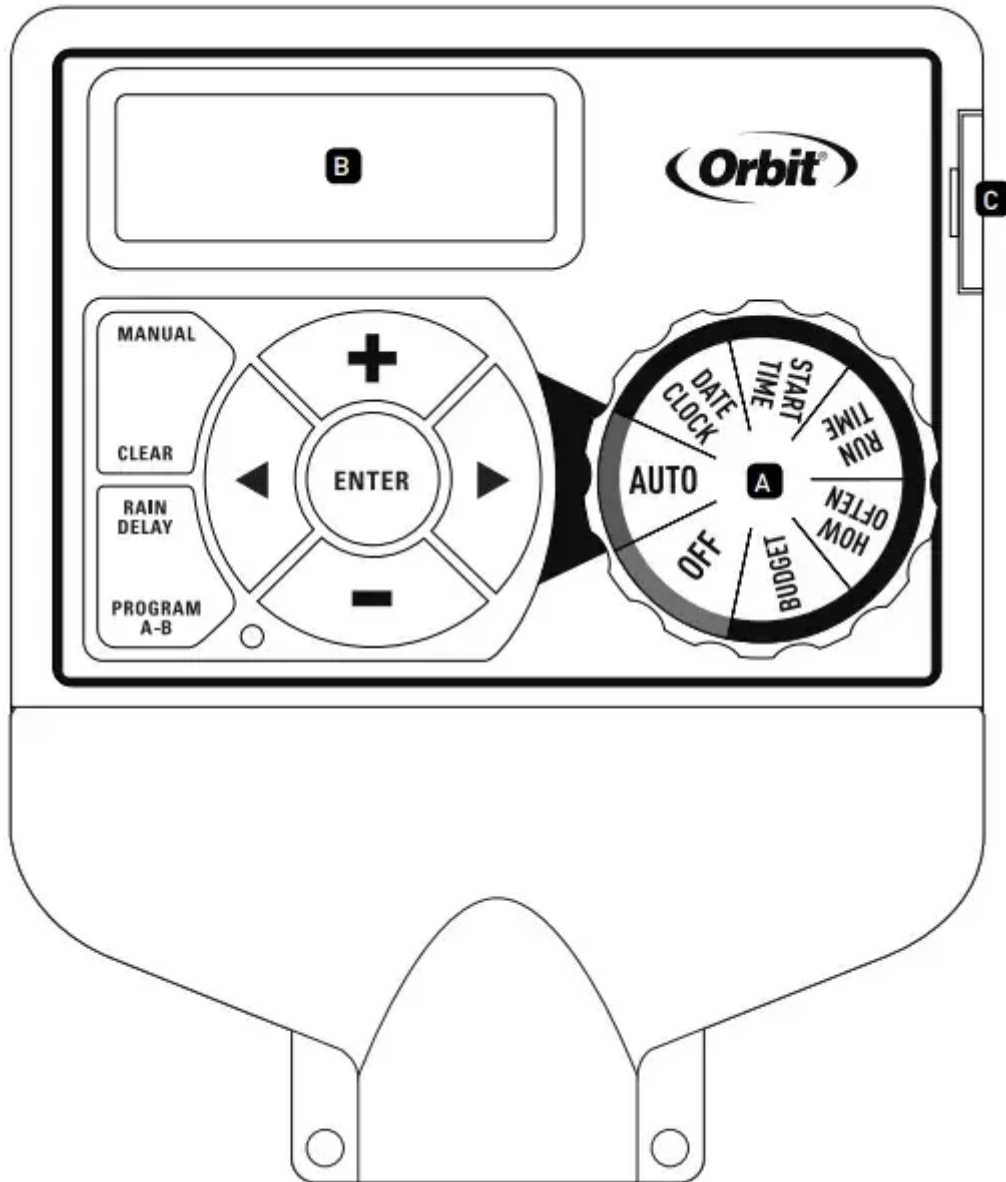


1: Get to know your timer



- A. Dial
- B. Digital Display
- C. Battery Compartment

Buttons	Function
ENTER	To confirm a new setting
MANUAL	To water manually
CLEAR	To clear a setting
PROGRAM	To move between programs: A and B
ARROW [▶]	To advance to the next setting/watering station or move to other programs/ settings
ARROW [◀]	To go back to the previous setting/watering station or move to other programs/ settings
RAIN DELAY	To pause operation for 24-72 hours due to rain or other factors
+	To increase a numeric setting
-	To decrease a numeric setting

Dial Position	Function
AUTO	Set program is running automatically
DATE/CLOCK	Set Year, Month, Day and clock time
START TIME	Set time to begin watering
RUN TIME	Set watering duration for each station
HOW OFTEN	Set frequency of watering days
OFF	Turn all stations/functions off
BUDGET	Set percentage of watering budget

Installation

1. Select a Location

When choosing a location for your timer, consider the following:

- Choose a location near an electrical outlet.

- Ensure operating temperatures are not below 32° or above 158° Fahrenheit (below 0° Celsius or above 70° Celsius).
- Locate the timer where there is easy access to sprinkler wire (from valves).

2. Mount the Timer

- Use the mounting template (included) to mark the mounting screw location on the wall. See figure 1.
- Install a No. 8 screw into wall in the upper template location. Leave the screw head protruding 1/8" (3 mm) from wall. Use expanding anchors (included) in plaster or masonry, if necessary, for a secure hold.
- Slip the timer over protruding screw (using keyhole slot in back of timer). See figure 2.
- Drive a No. 8 screw through one of the two pre-formed holes located in lower corners of the cabinet. See figure 2.

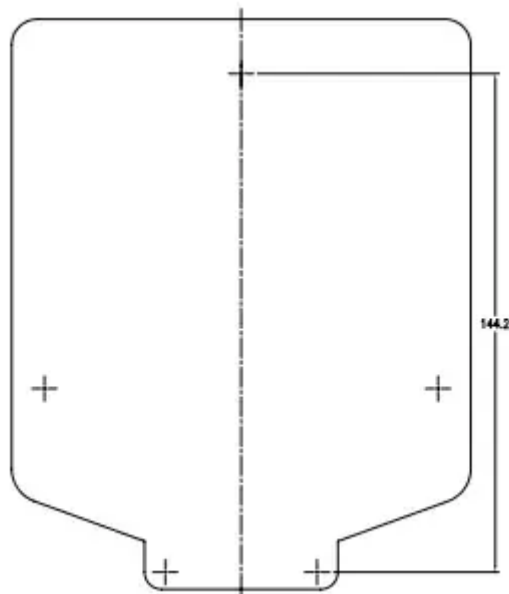


Figure 1: Use Mounting Template (included)

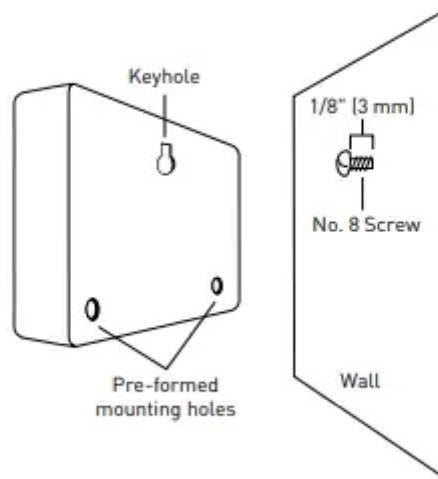


Figure 2: Hang timer on screw using keyhole

3. Connecting the Timer to Valves

Wiring Electric Valves

Taking the sprinkler wire, strip 1/2" (12 mm) of the plastic insulation off the end of each individual wire. Connect one wire from each valve (it doesn't matter which wire) to the "Common" sprinkler wire (usually white in color). Next connect the remaining wire from each valve to a separate colored sprinkler wire. See figure 3.

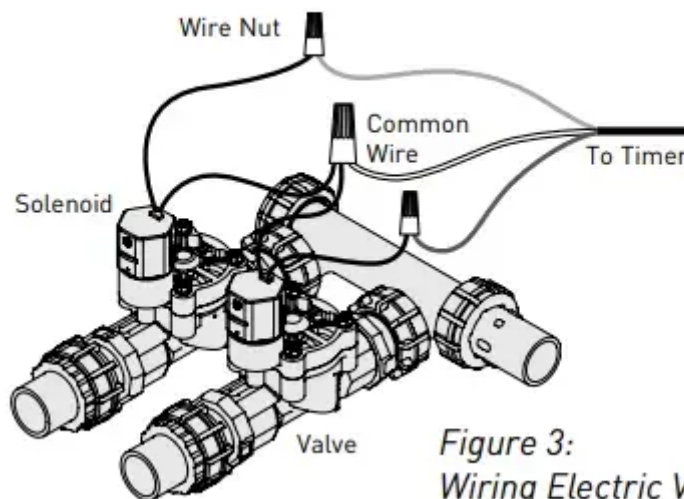


Figure 3: Wiring Electric Valves

Note: The maximum loading for each station/pump is 250mA (one valve), the maximum loading for the timer is 500mA.

If the distance between the sprinkler timer and valves is under 700' (210 m), use Orbit sprinkler wire or 20 gauge (AWG) plastic jacketed thermostat wire to connect the sprinkler timer to the valves. If the distance is over 700' (210 m), use 16 gauge (AWG) wire.

Important: The wire can be buried in the ground; however, for more protection wires can be pulled through PVC pipe and buried underground. Be careful to avoid burying the wires in locations where they could be damaged by digging or trenching in the future.

All wires should be joined together using wire nuts, solder, and/or vinyl tape. In wet environments like a valve box it is recommended to use Orbit Grease Caps or Speed Seals to prevent corrosion of the connection and for protection from water infiltration.

Connecting Sprinkler Wires to the Timer

Taking the sprinkler wire, strip 1/4" (6 mm) of the plastic insulation off the end of each individual wire. Connect the "Common" sprinkler wire (usually white in color) to the terminal labeled "COM". Next connect the remaining wires to a separate terminal. See Figure 4.

To avoid electrical hazards and damage to the timer, only one valve should be connected to each station. See Figure 4.

Only connect one valve to each terminal (station) or damage will occur

Station 1

Strip wire

Push in and tighten screw

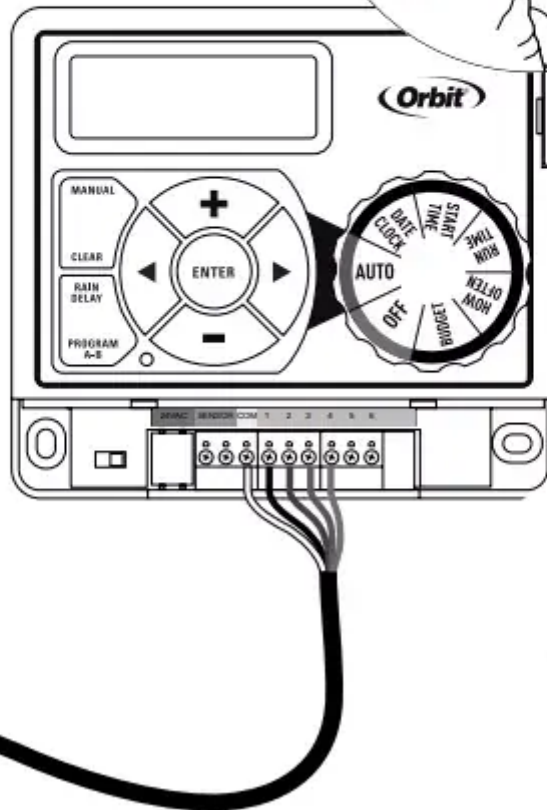
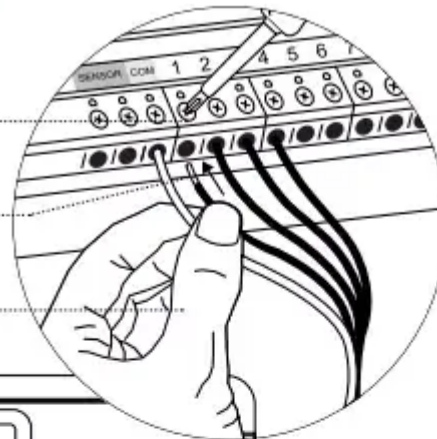
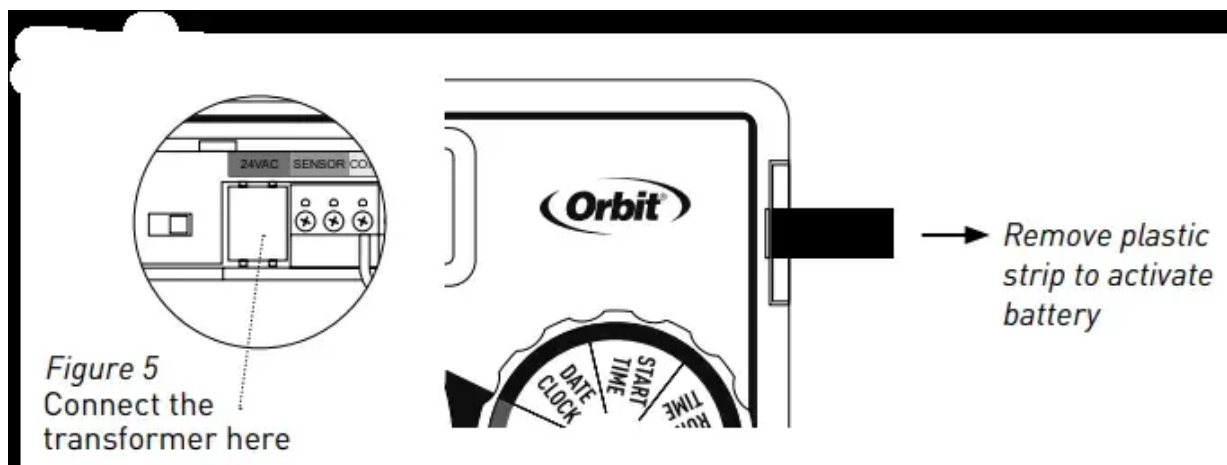


Figure 4

4. Connect Electrical Transformer Power

Connect power connector to the timer. Insert the transformer into an 120V electrical outlet. See Figure 5





5. Activate Battery

One Lithium CR2032 battery (included) is required to retain the program in memory during power loss. Annual replacement is recommended.

Remove the plastic strip to activate the pre-installed battery. (See page 12 for battery replacement)

Note: The battery alone will not operate the valves in your sprinkler system. The sprinkler timer has a built-in transformer that must be connected to an AC voltage source.

Programming with Easy-Set Logic

A note about multiple programs

Your sprinkler timer provides the flexibility of using 2 independent programs (A, B). The programs are where you store all of your sprinkler settings. Each program consists of a group of stations set to specific start times and run times. Multiple programs allow you to run different valves on different days with different run times. While many applications only require one program (A), using multiple programs (A, B) can be useful for drip areas, newly planted lawn, or rotary sprinkler stations. Using programs to group stations with similar water needs will maximize irrigation efficiency.

Primary programming can be accomplished in just a few basic steps.

Primary Programming

Press the [RESET] to clear any previous factory programming

1. Set Date and Clock

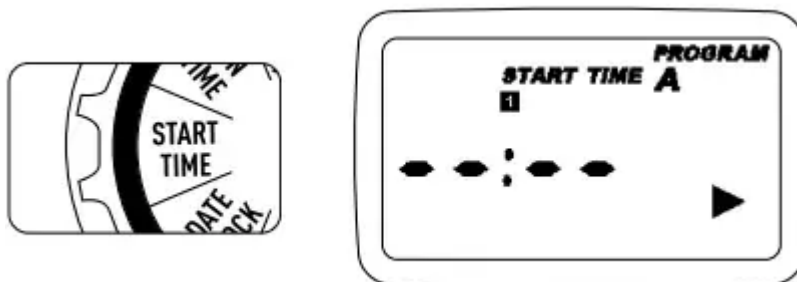
- Turn dial to [DATE/CLOCK].
- Press the [+/-] buttons to set the current time of day, then press [ENTER] or [◀▶].
Tip: To increase or decrease more rapidly, hold down either the [+] or [-] buttons until the display goes into rapid advance mode.
- Press the [+/-] buttons to set am/pm, then press [ENTER] or [◀▶].
- Y/M/D will appear (blinking letter indicates selection).

- Press the [+/-] buttons to set the correct year, then press [ENTER] or [◀▶].
- Press the [+/-] buttons to set the correct month, then press [ENTER] or [◀▶].
- Press the [+/-] buttons to set the correct date.
- Press [ENTER] or turn dial to accept date.

3. Start time

- Turn dial to [START TIME].
- Press the [+/-] buttons to select time you'd like your watering to begin. (time will adjust in 1 minute increments)

The display will show



Please note that [START TIME] is the time of day that your programmed watering starts. You can set up to 4 start times at each program if you want to water more than once per day. All stations that have a programmed run time [how long] will run in sequence at each start time.

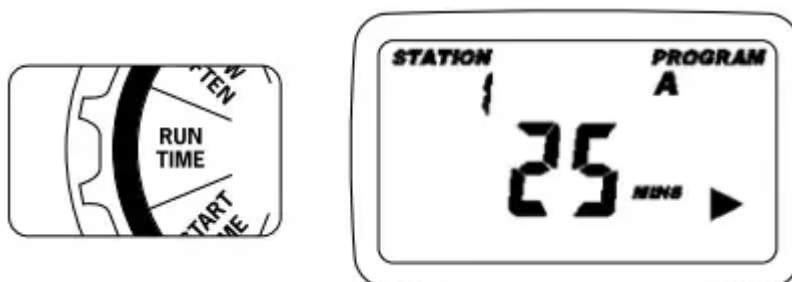
Note: Start-Time Stacking

When a start time is set before the previous program has completed, that start time will be "stacked" or delayed, and will start upon completion of the previous program.

Example: Bill just planted new grass seed and wants to water three times per day. He sets START TIME 1 for 5am, START TIME 2 for 12pm, and START TIME 3 for 5 pm. He sets the INT [interval] to water every 1 DAYS [see section 3, HOW OFTEN]. In AUTO mode the system will water 3 times per day. Once Bill's sod is established he can CLEAR start times 2 and 3 and return to watering just once per day.

3.Run Time

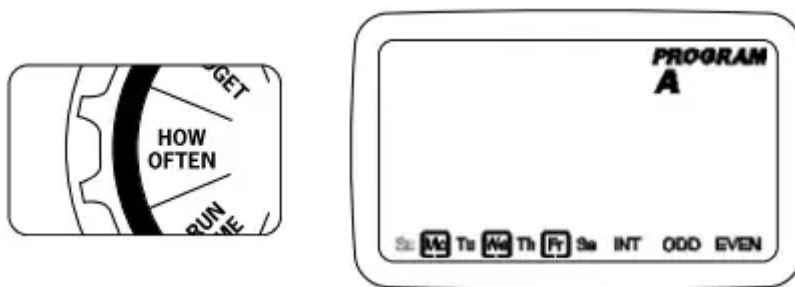
- Turn the dial to [RUN TIME].



- Press the PROGRAM button to select which program you'd like to set. STATION is the area that will be watered by each valve. On this screen the RUN TIME or duration for each station is set.
- Press the [◀▶] to select a station and press the [+ / -] buttons to enter the watering duration for that station.
- Press [ENTER] or the [◀▶] buttons to move to the next station/value, and enter watering duration for each station.

4.How Often

- Turn the dial to [HOW OFTEN] - this screen allows you to set how often to water.
- There are 3 options provided:
 1. Days of the week [Mon, Tues, Wed, etc.]
 2. Intervals [Every "X" number of days]
 3. Odd or Even Days



Days of the Week

- Your dial should be set to [HOW OFTEN]. Press the PROGRAM button to select which program you'd like to set.
 - Press the [◀▶] buttons to move from one day to another.
 - Press [+] or [ENTER] to select a day for watering. A frame will appear around the selected days.
- To delete a previously entered day, press [-] or [CLEAR]. Example: Monday, Wednesday, & Friday.

Intervals

- Use the [◀▶] buttons to move to the INTERVAL option "INT".
- Press [+/-] buttons to select the number of days between watering.

Example: An interval of 1 will water every day; an interval of 3 will water every 3rd day, etc.

Odd or Even Days

- Odd or Even Days- Use the [◀▶] buttons to move to the ODD or EVEN day.
 - Press [+] or [ENTER].
- Selecting a different option or pressing clear will erase the previous selection.

Example: Odd: 1st, 3rd, 5th, etc.

Example: Even: 2nd, 4th, 6th, etc.

Turn the dial to [AUTO] and that's it!

You have programmed your timer!

Turn dial to [AUTO] to activate your program.

Note: If your program is lost, the factory installed failsafe program will turn on each station every day for 10 minutes.

Note: Your prior programming will not be disturbed unless altered. Always be aware of the program you are in [A or B] when you are making changes.

Reviewing and Changing Your Program

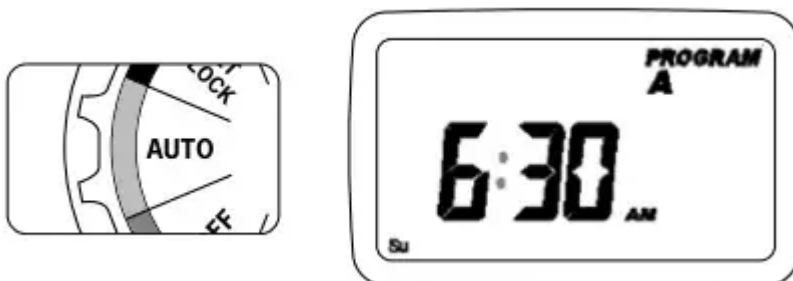
If you want to review or change the start times, run times, or how often to water, simply follow the directions again for that option. After reviewing or changing a watering schedule, remember to turn the dial back to [AUTO] for automatic operation.

Section 4: Additional Features

Rain Delay

[RAIN DELAY] allows you to delay your sprinkler timer from watering for a set period of time. Delay settings are 24, 48, and 72 hours.

- Turn dial to [AUTO].



- Press the [RAIN DELAY] button to automatically delay watering for 24 hours.
- If a longer Rain Delay is desired, press the [+ / -] buttons to increase or decrease the setting.

- Press [ENTER] or wait 10 seconds and the selected rain delay will begin.
- [CLEAR] button stops the rain delay and scheduled watering will resume.
- At the end of the selected rain delay amount of time, automatic watering resumes.
- While in rain delay mode, the timer display will switch between the actual time and the remaining hours of the delay, every 2 seconds.

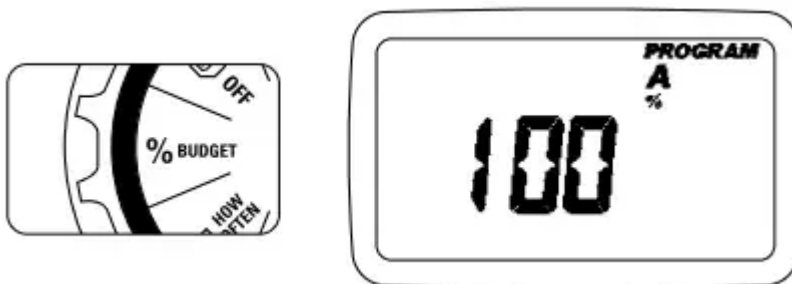
Water Budgeting

Water Budgeting is a simple way to adjust your watering duration to match seasonal watering needs. Water Budgeting works by increasing or decreasing watering duration for all stations in each program. Press the [PROGRAM] button to select the program you wish to budget.

Adjustment range is from 10% to 200% by increments of 10%. The default value is 100%. The budgeting will remain on the adjusted range until you change it.

To set budgeting:

- Turn dial to [BUDGETING].



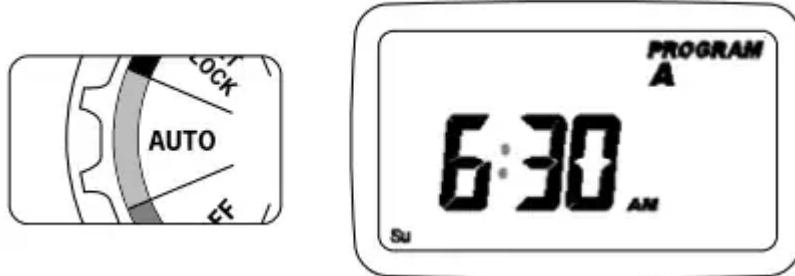
- To adjust press [+ / -] buttons, press [ENTER].
- If using multiple programs [A, B, or C] Press the [PROGRAM] button to move to the desired program and make the needed adjustment.

Example: Bill's watering duration is set at 60 minutes however; it is the spring time so he wants to water half as long so he sets his budgeting to 50%, his timer will now water for 30 minutes.

Manual Watering

Your timer has the ability to allow you to manually water without disturbing the preset program.

- Turn the dial to [AUTO].



Press the [MANUAL] button. Display will show A B and ALL. After a few seconds or by pressing [ENTER] the timer will begin manual watering.

- All stations will water consecutively for their programmed duration.

Note: If the run times have not been set, the timer will not initiate manual watering and the screen will return to the current time.

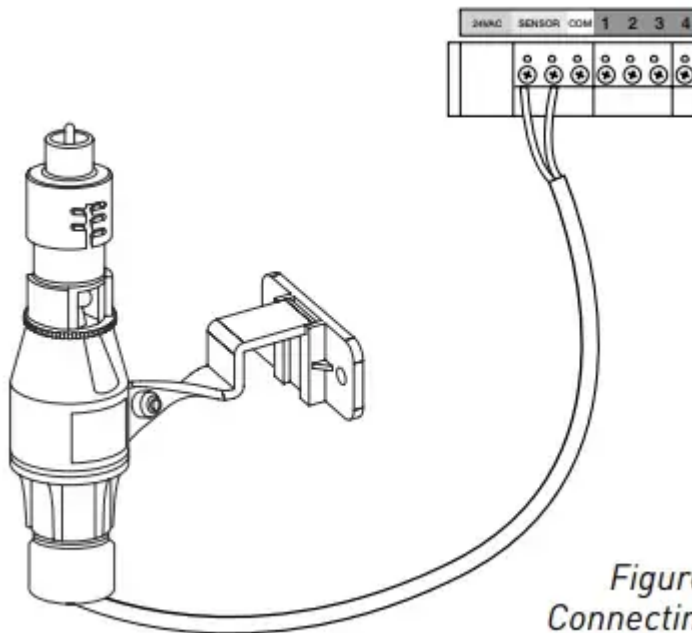
- To specify a specific program or stations, Press the [◀▶] buttons to select A or B.
- Press [ENTER] to activate.
- To select a specific station, continue pressing the [◀▶] buttons until desired station number appears.
- Press the [+ / -] to enter the desired duration from 1 to 240 minutes.
- Wait 5 seconds and your station will begin.
- To stop Manual Watering press [CLEAR].
- The timer will go back to your original automatic watering schedule.

Example: To manually water on station 3 for five minutes, press the [MANUAL] button then press the [◀▶] buttons until you see station 3; using the [+ / -] buttons, set duration to five minutes; press [ENTER].

Note: After the [MANUAL] button has been pushed, if a selection is not made within 5 seconds all stations and programs will begin watering using the programmed RUN TIMES. If no RUN TIMES have been set, nothing will happen and the display will return to the time of day.

Connecting a Rain Sensor

- Connect the rain sensor wires to the wiring terminal ports [yellow in color] labeled "Sensor" [see figure 6].



*Figure 6:
Connecting a
Rain Sensor*

Note: Refer to your rain sensor manual for specific wiring instructions.

- Place the sensor on/off switch to the "on" position to begin operation.

Rain Sensor Bypass

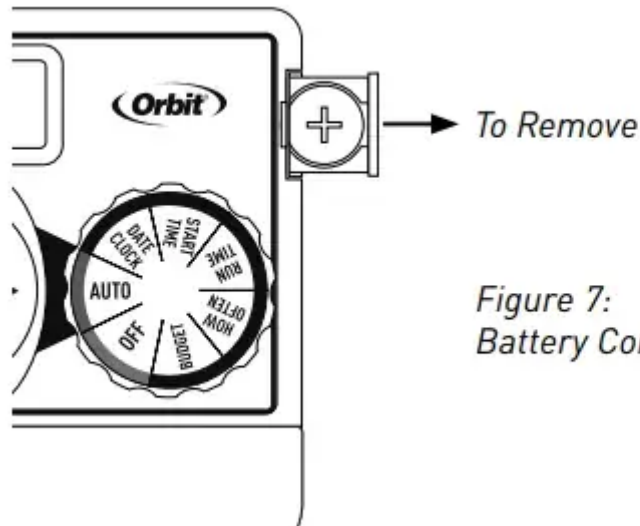
This sprinkler timer is equipped with a sensor override "on/off" switch. This switch is for use during maintenance and repairs, so the sprinkler timer can be operated even if the rain sensor is in active mode.

Important: If the rain sensor switch is in the "on" position and no sensor is connected, the sprinkler timer will not operate. To resume sprinkler timer operation place the switch in the off position.

Replacing the Battery

Your timer requires a CR2032 Lithium battery.

- The battery will maintain your program in case of an AC power loss.
- Battery should last approximately one year.
- Open by sliding the battery tray out to the right.
- Insert one CR2032 battery into the compartment with the + side up.
- Slide the battery tray back into place.



*Figure 7:
Battery Compartment*

A weak or missing battery can cause the time, date, and program to be erased after a power failure. If this happens, you will need to install a fully charged battery and reprogram the timer.

Tip: Replace battery every year, to avoid loss of programming.

Note: A battery alone will not operate the valves in your sprinkling system. The sprinkler timer transformer must be connected to an AC line voltage source.

BATTERY WARNING: Chemical Burn Hazard. Keep batteries away from children. See page 15 for additional information.

Reference

TERM	DEFINITION
START TIME	The time the program begins watering the first programmed station.
VALVE	Supplies water to a specific station or area. The opening and closing of the valve is accomplished through electrical current supplied by the sprinkler timer.
MASTER VALVE	Typically located at the main water source. Turns on and off water for the entire irrigation system when not in use.
MULTIPLE START TIMES	A controller feature that allows a program to be operated multiple times on the same watering day.
OVERLAPPING PROGRAMS	When a "Start Time" is set for a program before the previous program has completed.
PROGRAM [A OR B]	Individual programs as set by the user. Each program operates independently. If one program overlaps the other the programs will be "stacked." After the first program finishes the next program will begin.
RAIN DELAY	A feature that postpones the running of a scheduled watering program for a specific duration.
SOLENOID	The electrical part on an irrigation valve that opens and closes the valve.
SPRINKLER TIMER	A device which instructs the station valves to operate.
STATION	A grouping of sprinklers operated by a single valve which is controlled by the timer.
WATERING BUDGETING	Adjusts your overall watering program as a percentage of total watering duration.

Troubleshooting

PROBLEM	POSSIBLE CAUSE
One or more valves do not turn on	1. Faulty solenoid connection
	2. Wire damaged or severed
	3. Flow control stem screwed down, shutting valve off
	4. Programming is incorrect
Stations turn on when they are not supposed to	1. Water pressure is too high
	2. More than one start time is programmed
	3. AM/PM is incorrect
	4. B program activated
One station is stuck on and will not shut off	1. Faulty valve
	2. Particles of dirt or debris stuck in valve
	3. Valve diaphragm faulty
All valves do not turn on	1. Transformer defective or not connected
	2. Programming is incorrect
Timer will not power up	1. Transformer not plugged into a working outlet
Valves continue to turn on and off when they are not programmed	1. More than one start time is programmed with overlapping schedules
	2. Excessive pressure
	3. B program activated

Help

1-800-488-6156 or 1-801-299-5555

www.orbitonline.com

Before returning this sprinkler timer to the store, contact Orbit® Technical Service at: 1-800-488-6156, 1-801-299-5555.

LISTINGS

This Class B digital apparatus complies with Canadian ICES-003.

Disconnection : Type 1Y Normal Pollution Situation.

BATTERY WARNING: Chemical Burn Hazard. Keep batteries away from children.

This product contains a lithium coin cell battery. If a new or used button/coin cell battery is swallowed or enters the body, it can cause severe internal burns and can lead to death in as little as two hours. Always completely secure the battery compartment. If the battery compartment does not close securely, stop using the product, remove the battery, and keep it away from children. If you think the battery might have been swallowed or placed inside any part of the body, seek immediate medical attention. The battery should be disposed of properly and kept away from children. Even used batteries may cause injury.

TRADEMARK NOTICE

WaterMaster® is a registered trademark of Orbit® Irrigation Products, Inc. The information in this manual is primarily intended for the user who will establish a watering schedule and enter that schedule into the sprinkler timer. This product is intended to be used as an automatic sprinkler timer for activating 24 VAC irrigation valves, as described in this manual.

WARRANTY AND STATEMENT

Orbit® Irrigation Products, Inc. warrants to its customers that its products will be free from defects in materials and workmanship for a period of six years from the date of purchase.

We will replace, free of charge, the defective part or parts found to be defective under normal use and service for a period of up to six years after purchase (proof of purchase required).

We reserve the right to inspect the defective part prior to replacement.

Orbit® Irrigation Products, Inc. will not be responsible for consequential or incidental cost or damage caused by the product failure. Orbit® liability under this warranty is limited solely to the replacement or repair of defective parts.

To exercise your warranty, return the unit to your dealer with a copy of the sales receipt.

FCC Statement

This device complies with Part 15 of the FCC Rules. Operation is subject to the following two conditions: (1) This device may not cause harmful interference, and (2) This device must accept any interference received, including interference that may cause undesired operation.

Warning: Changes or modifications to this unit not expressly approved by the party responsible for compliance could void the user's authority to operate the equipment.

NOTE: This equipment has been tested and found to comply with the limits for a Class B digital device, pursuant to Part 15 of the FCC Rules. These limits are designed to provide reasonable protection against harmful interference in a residential installation. This equipment generates, uses and can radiate radio frequency energy and, if not installed and used in accordance with the instructions, may cause harmful interference to radio communications. However, there is no guarantee that interference will not occur in a particular installation. If this equipment does cause harmful interference to radio or television reception, which can be determined by turning the equipment off and on, the user is encouraged to try to correct the interference by one or more of the following measures:

Reorient or relocate the receiving antenna. Increase the separation between the equipment and receiver. Connect the equipment into an outlet on a circuit different from that to which the receiver is connected. Consult the dealer or an experienced radio/TV technician for help.

Caution: This appliance is not intended for use by young children or infirm persons without supervision. Young children should be supervised to ensure that they do not play with the appliance.

Caution: Risk of electric shock or personal injury or fire, only use power unit model WR1-41-065R-1 (or WT1-41-065R) with this timer.

Warning

This content is compiled from multiple sources and is provided for reference purposes only. It may not be complete or fully applicable to all situations. If you are unable to resolve your issue, please contact the product manufacturer or an authorized service provider for official support.