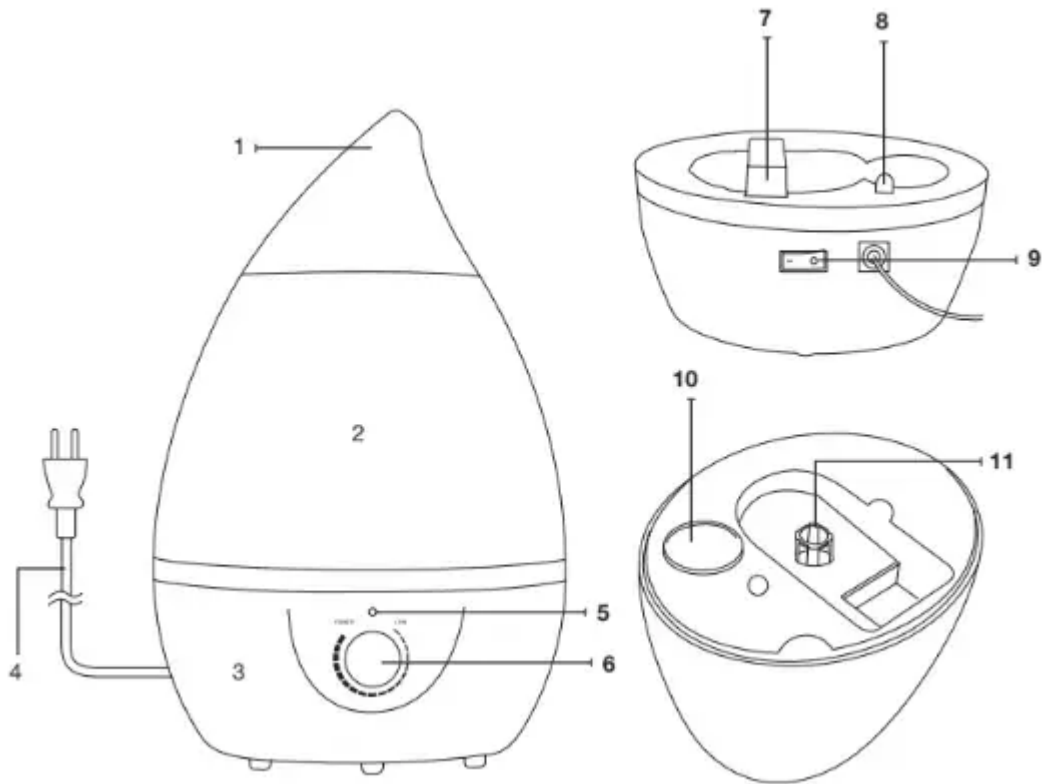


**habitat® COOL MIST HUMIDIFIER Item # 40-687-000**

**Instructions for Use** – Please read these instructions carefully and keep them for future reference.

Includes: (1) Humidifier, (1) Instruction Manual

**KEY TO SYMBOLS**



- 1. Mist Output Opening
- 2. Water Tank
- 3. Base
- 4. Power Cord
- 5. Power Indicator
- 6. Adjustable Mist Knob
- 7. Fan Outlet
- 8. LED Light
- 9. LED Light Power Switch
- 10. Tank Cover
- 11. Mist Pipe



## IMPORTANT SAFETY INSTRUCTIONS

- Never touch the equipment with wet or damp hands.
- Do not move, tilt, or tip humidifier during use; doing so may cause water leakage.
- If equipment is damaged and/or not working properly, turn the unit off by disconnecting the plug from the power outlet.
- Never submerge the equipment in water or any other liquid.
- Do not touch the equipment if it accidentally falls into the water.
- Do not direct vapor flow towards furniture or electrical appliances.
- Do not touch the ultrasonic transducer with your hands or tools while the unit is plugged in.
- Do not operate the humidifier without water.
- Do not attempt to empty or fill the tank while the unit is plugged in.
- Clean and dry the humidifier at the end of every operating cycle.
- Dispose of any worn accessories and/or the equipment at an appropriate collection point, as required by state regulations.

## OPERATING INSTRUCTIONS

1. Check that the equipment is completely clean, the power knob is all the way to the left position (OFF), and that the power cord is not connected to the power outlet.
2. Gently remove the water tank from the base.
3. Unscrew the cap on the underside of the tank. Fill the water tank leaving approximately 1/4" of space from the rim when the tank is upside down.  
**Do not fill water all the way to the rim.**
4. Screw the cap back on and fit the water tank, right side up, back into the base of the unit, making sure it is properly secured in place.
5. Connect the equipment to a power outlet.
6. Use the mist regulation knob to turn the unit ON by moving the knob clockwise. The power light will be red when the unit is on and vapor will start to exit. Use the mist regulation knob to control the amount of vapor flow desired. To turn the unit OFF, turn the knob counterclockwise. The red power light will turn off when the unit is OFF.
7. When the water tank is empty, the humidifier stops automatically.
8. Turn on color changing LED night light by switching the LED switch on at the back of the unit.

## CLEANING AND MAINTENANCE

**Before cleaning the equipment, always turn the humidifier OFF and disconnect the plug from the power outlet.** Do not place the humidifier directly under running water. Do not wet the power cable or air outlet. Do not scrape the ultrasonic transducer with metallic materials, tools or objects. Do not leave water in the water tank when the equipment is not in use.

### Daily Cleaning:

Remove water tank from the base, unscrew the cap, and pour out all remaining water. Clean the tank, reservoir, and transducer of the humidifier with a soft, clean cloth and dry thoroughly. Dry all parts thoroughly before storage.

### Weekly Cleaning:

Remove water tank from the base, unscrew the cap, and pour out all remaining water. Pour a water solution prepared with 50% white vinegar into the water tank. Screw the cap back on and fit the water tank, right side up, back into the base of the unit, making sure it is properly secured in place. Leave to soak for at least 4 hours (overnight is ideal). **Do not turn the humidifier on or run the unit with the water/white vinegar cleaning solution.** Remove the water tank and cap to pour out all of the water/white vinegar solution, and rinse the tank with cool, clean water. Wipe the tank, reservoir, and transducer of the humidifier with a soft, clean cloth and dry thoroughly. Clean the outer surfaces of the humidifier with a soft, damp cloth. Do not use abrasive products, alcohol, solvents, or similar products which may cause permanent damage to the outer surface.

## TROUBLESHOOTING

Problem	Solution
If the humidifier does not work	<ul style="list-style-type: none"><li>· Check that the plug is connected correctly.</li><li>· Check that the switch is in the ON position.</li><li>· Check that there is sufficient water in the water tank.</li><li>· Check that the water tank is properly in place and secured.</li></ul>
If the power button is in the ON position but there is no vapor flow	<ul style="list-style-type: none"><li>· Check whether there are hard water deposits on the ultrasonic transducer.</li><li>· Check whether there is sufficient water in the water tank.</li></ul>
Strange odor	<ul style="list-style-type: none"><li>· Clean the water tank and the reservoir with water/white vinegar solution, then rinse with clean water.</li><li>· Aerate the water tank in a cool place for 12 hours.</li></ul>

## TECHNICAL SPECIFICATIONS

- **Run Time:** At max setting, run time is up to 9 hours. At min setting, run time is up to 30 hours.
- **Tank Capacity:** 0.66 gal.
- **Ideal Room Size:** Medium to Large
- **Average Humidity Output\*:** 10 fl. oz./hr
- **Power Consumption:** 120V, 60Hz, 25W
- **Sound Level:** <45dBA

\* Humidity output may vary based on indoor room temperature, humidity, and mist output setting.

Manufactured for: HealthSmart International · 1931 Norman Drive Waukeegan, IL 60085

Register this product at [Habitat.tech](http://Habitat.tech) #91-687-000 08/21 ©2021 HealthSmart International

## LIMITED 1-YEAR WARRANTY

This warranty covers only normal use, and does not apply for use in any clinical or commercial applications. This warranty does not cover batteries or other power sources that may be provided with or used with the humidifier. The warranty is voided if the humidifier product is misused or abused in any manner.

If the humidifier fails to operate during the first 1 year from the time originally purchased, please email our Customer Care at [service@habitat.tech](mailto:service@habitat.tech) and we will try to resolve the issue as soon as possible. If the warrantor determines the unit failed to operate due to a manufacturing defect, the unit will be replaced at the option of the warrantor. The purchaser will be responsible for the prepaid postage along with \$20 to cover return shipping and insurance. The purchaser must return the original humidifier prior to a replacement product being provided. Replacement of the product is the only remedy covered by the Limited 1-Year Warranty.

This warranty gives you specific legal rights, which vary from state to state. To be eligible for the warranty, please register your product online within 10 days of purchase date at [www.Habitat.tech](http://www.Habitat.tech).

We make no other express or implied warranties, arising by operation of law or otherwise, or any warranty of merchantability or fitness for a particular use or purpose whether or not the use or purpose has been disclosed to the warrantor in specifications, drawings, or otherwise, and whether or not the warrantor's products are specifically designed and/or manufactured by the warrantor for the buyer's use or purposes, except for the limited warranty stated above. The warrantor will not be responsible for any indirect, incidental, special, consequential, or punitive damages or other loss, including, but not limited to, damage to or loss of other property or equipment and personal injuries, whether to purchaser or others. The warrantor shall in no event be liable to the purchaser for any amount in excess of the cost to replace the product.

**Warning**

This content is compiled from multiple sources and is provided for reference purposes only. It may not be complete or fully applicable to all situations. If you are unable to resolve your issue, please contact the product manufacturer or an authorized service provider for official support.

---

Document generated by [ManualsFile](#)

