

Lefant M3 User Manual Self-cleaning Smart Vacuum Cleaner with Integrated Sweeping and Mopping Functions

Safety Information

Precautions




- This product is only used for floor cleaning in home environments. Do not use it outdoors (such as on an open balcony), on non-floor surfaces (such as sofas), or in commercial or industrial environments.
- Please clean or maintain the self-cleaning dust collection charging base station (hereinafter referred to as the base station) and the robot when the base station is powered off and the robot is turned off.
- Do not use the robot and the base station as toys, or ride or stand on them. When the robot or the base station is in operation, please supervise children and pets and keep them as far away as possible.
- Do not use this product in a room where infants or young children are sleeping.
- Do not allow children, or people with physical, mental or sensory impairments to use or operate this product.
- If using it in a suspended environment (such as a duplex floor), be sure to use a sturdy physical barrier to prevent personal injury or property damage caused by the accidental fall of the robot.
- Do not let the limbs or other body parts of people or pets get close to the rotating position of the robot's brush head or put them into the gaps of the machine to avoid injury.
- Before use, please clean up scattered wires and other sundries on the floor, and move away objects that are easy to tip over, fragile, valuable, and potentially dangerous to avoid being entangled, stuck, dragged, or knocked over by the robot, which may cause personal injury or property damage.
- Please ensure that there is no standing water on the floor where the robot operates, otherwise it may cause the robot to get water damaged.
- Do not use it to clean any burning objects (such as unextinguished cigarette butts, matches, ashes, etc.) or any flammable and explosive items (such as lighters, gasoline, toner and powder used in printers or copiers, etc.).
- Before use, please ensure that components such as the dust bin, filter, dust bag, side brush, mop, main brush, and main brush cover are installed in place.
- Do not use the product without a dust bag.
- Be careful of scalding by hot water. Do not touch the water outlet of the base station.
- Do not use any liquid to douse the robot and the base station.

- Do not use it to clean long-haired carpets (some dark-colored carpets may not be cleaned properly).
- If the product is damaged in any way, do not use it and contact the official after-sales service in a timely manner for a solution.
- Do not store or use it in an environment with a temperature higher than 40°C lower than 0°C or where there is any liquid or viscous substance on the floor.
- Do not use any disinfectant other than the official cleaning solution, otherwise it may cause serious damage to the robot and the base station.
- Do not place any objects on the robot, the base station, or at the dust collection port of the base station, and do not cover or block them with any items (including dust covers).
- Please avoid having hard or sharp objects (such as renovation waste, glass, nails, etc.) on the floor where the robot operates, otherwise it may scratch the robot and the floor.
- Be sure to place the base station on a horizontal hard floor indoors, and keep the robot, the base station, and the power cord away from open flames, heat sources (such as radiators), and areas that are wet, have water, are narrow, or may leave the robot suspended.
- Please put away fragile items and sundries placed on the floor (such as vases, mirrors, plastic bags, etc.) to avoid damage to valuable items in the home when the robot is blocked during operation or slightly touched.
- Do not place low objects such as floor mats and shoes at positions like the stairway that may cause the robot to fall, otherwise it may interfere with the normal operation of the robot's anti-fall sensor and cause the robot to fall.
- Please use this product in accordance with the instructions in the manual. Any losses and damages caused by improper use, or any indirect losses caused by the use, misuse, or inability to use this product shall be borne by the user.

SAVE THESE INSTRUCTIONS

To satisfy RF exposure requirements, a separation distance of 20cm or more should be maintained between this device and persons during device operation.

To ensure compliance, operations at closer than this distance is not recommended. The antenna used for this transmitter must not be co-located in conjunction with any other antenna or transmitter.

	For indoor use only
	Direct current
	Alternating current

Correct Disposal of this Product

This marking indicates that this product should not be disposed of with other household waste throughout the EU. To prevent possible harm to the environment or human health from uncontrolled waste disposal, recycle it responsibly to promote the sustainable reuse of material resources. To recycle your used device, please use the return and collection systems or contact the retailer where the product was purchased. They can safely recycle this product.

Federal Communications Commission (FCC) Interference Statement

This equipment has been tested and found to comply with the limits for a Class B digital device, pursuant to Part 15 of the FCC Rules.

These limits are designed to provide reasonable protection against harmful interference in a residential installation. This equipment generates, uses and can radiate radio frequency energy and, if not installed and used in accordance with the instructions, may cause harmful interference to radio communications.

However, there is no guarantee that interference will not occur in a particular installation. If this equipment does cause harmful interference to radio or television reception, which can be determined by turning the equipment off and on, the user is encouraged to try to correct the interference by one of the following measures:

Reorient or relocate the receiving antenna. Increase the separation between the equipment and receiver. Connect the equipment into an outlet on a circuit different from that to which the receiver is connected. Consult the dealer or an experienced radio/TV technician for help.

This device complies with Part 15 of the FCC Rules. Operation is subject to the following two conditions: (1) This device may not cause harmful interference, and (2) this device must accept any interference received, including interference that may cause undesired operation.

FCC Caution:

Any changes or modifications not expressly approved by the party responsible for compliance could void the user's authority to operate this equipment.

RF exposure warning

This equipment complies with FCC radiation exposure limits set forth for an uncontrolled environment. This equipment must be installed and operated in accordance with provided



instructions and the antenna(s) used for this transmitter must be installed to provide a separation distance of at least 20 cm from all persons and must not be collocated or operating in conjunction with any other antenna or transmitter.

IC Caution

This device contains licence-exempt transmitter(s)/receiver(s) that comply with innovation, Science and Economic Development Canada's licence-exempt RSS(s). Operation is subject to the following two conditions:

- (1) This device may not cause interference.
- (2) This device must accept any interference, including interference that may cause undesired operation of the device. Any changes or modifications not expressly approved by the party responsible for compliance could void the user's authority to operate the equipment.

RF exposure statement (English):

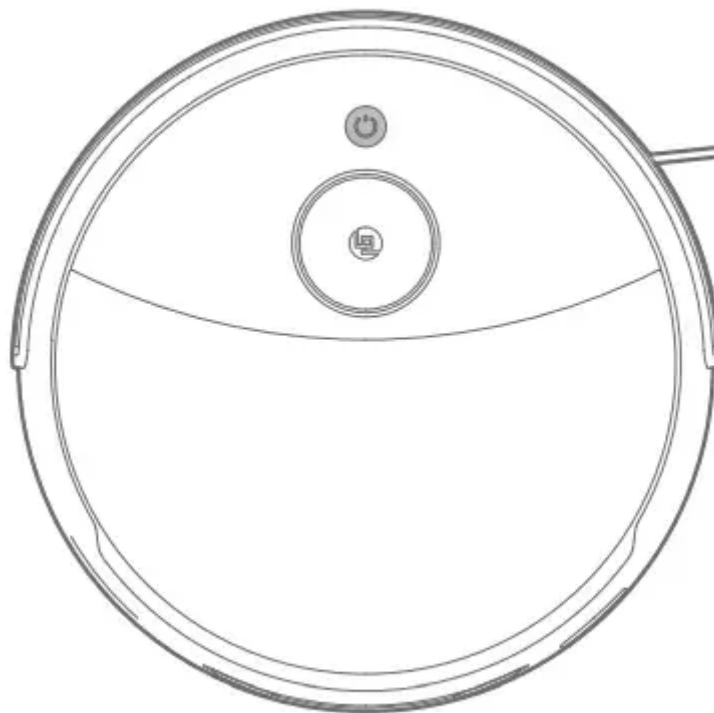
The equipment complies with IC Radiation exposure limit set forth for uncontrolled environment. This equipment should be installed and operated with minimum distance 20cm between the radiator and your body.

Battery and Charging

- This product is only compatible with the charging base station specially provided by the manufacturer.
- Be sure to confirm and use a qualified power source with reliable grounding. Otherwise, there is a risk of electric shock and other hazards.
- If there is no power source with reliable grounding, please have a professional electrician rectify it before using this product.
- Do not disassemble, repair, or modify the battery and the charging base station without authorization.
- If the charging base station is not going to be used for an extended period, unplug the power plug.
- Do not dispose of used batteries casually. They should be handed over to a professional recycling institution for proper disposal.
- Do not use any third-party batteries, chargers, charging cables, or charging docks, etc.
- Do not wipe or clean the charging pins of the charging base station with wet wipes, damp cloths, or wet hands.
- Use this product in an environment where the power supply voltage matches the voltage marked on the base station.

- When transporting the product, ensure it is powered off and turned off, and it is recommended to use the original packaging box for packaging.
- Do not use a power cord that is not included with the product. Otherwise, it may cause smoking, overheating, or even a fire.
- If the usage area is prone to thunderstorms or the power supply voltage is unstable, etc., it is advisable to take appropriate protective measures.
- Using this product with any type of power converter is prohibited. Otherwise, the warranty will become invalid immediately, and there may be potential dangers.
- Do not use a damaged power cord. If the power cord is damaged (including breakage, fracture, etc.), stop using it immediately and contact the customer service promptly.
- If the robot will not be used for a long time, fully charge it, turn it off, and store it in a cool, dry place. Charge it at least once every month to prevent the battery from being over-discharged.

A Product Introduction



—Button Operation

1. Press and hold for 3 seconds: Power on (The robot will automatically power on when charging.)

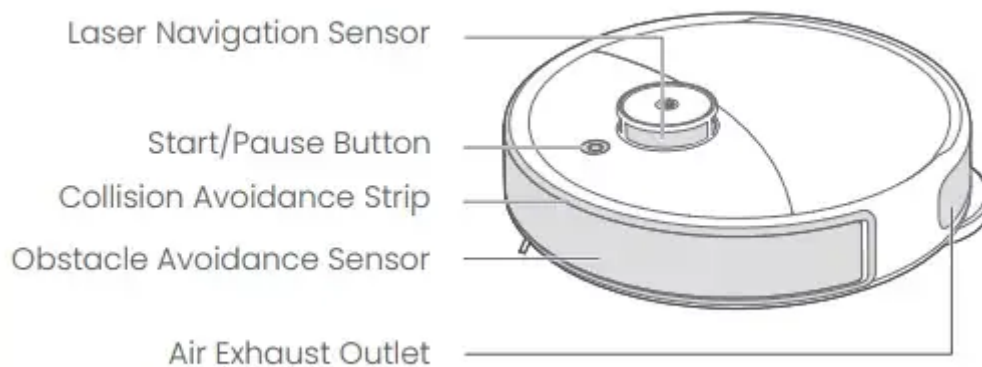
2. Single click: Start or pause
3. Double click: Automatically return for charging
4. Press and hold for 6 seconds: Enter the network configuration state
 Network configuration operation: Open the app, select "Add device", then press and hold for 6 seconds until you hear the power-on voice prompt. Wait until the app scans the device and then follow the network connection instructions to pair it.)
5. Press and hold for 12 seconds: Power off



—Explanation of Button Light Effects

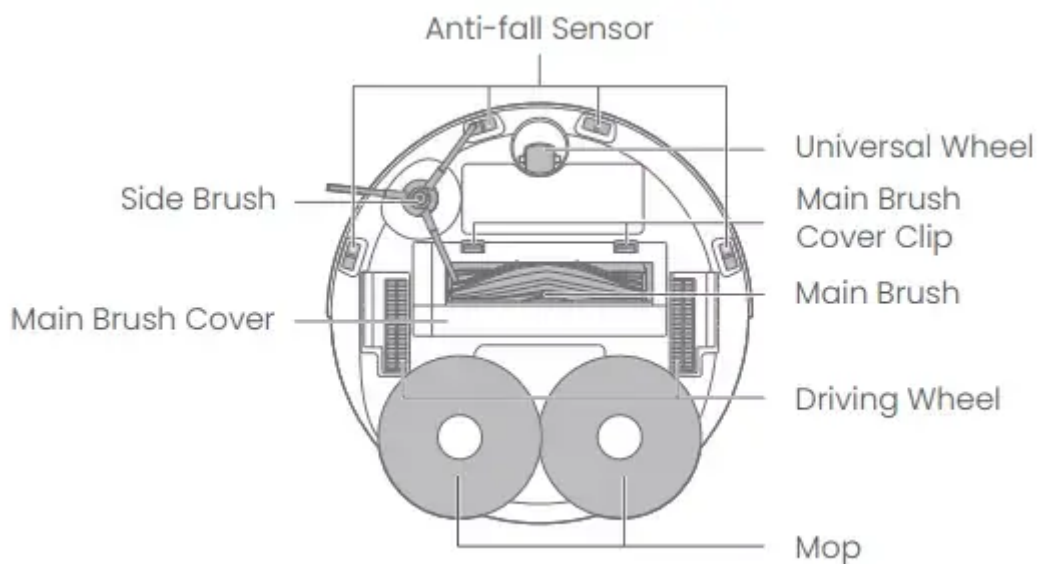
1. Purple light breathing: Charging (Battery level < 50%)
2. Blue light breathing: Charging (Battery level > 50%)
3. Blue light flashing: The robot enters the network configuration state
4. Red light staying on: The robot automatically returns for charging due to low battery level.

A1 Robot (Top View)

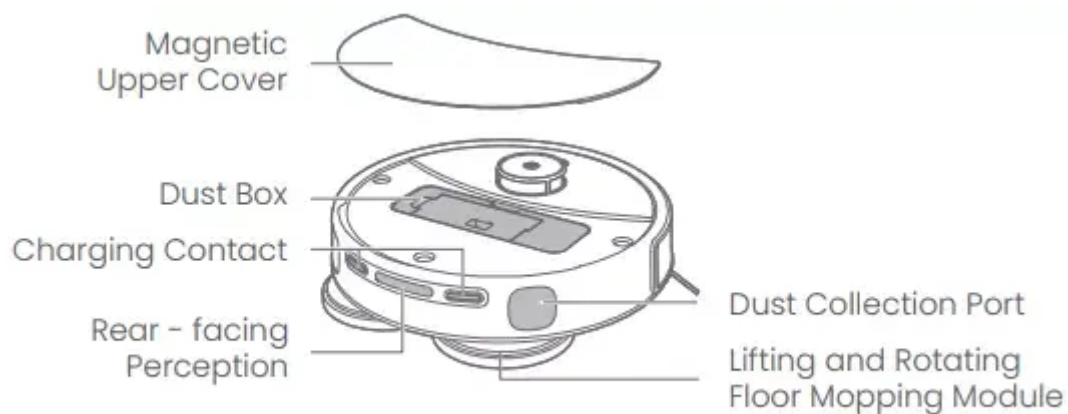


A2 Robot (Bottom View)

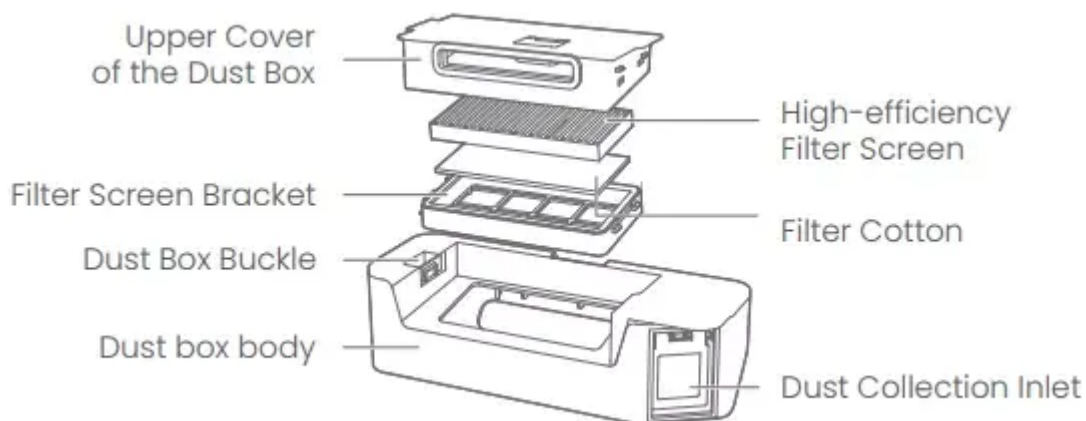




A3 Robot (Below the Face Cover)



A4 Dust Box

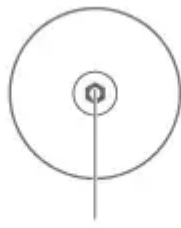


A5 Mop Bracket





Sticking Area

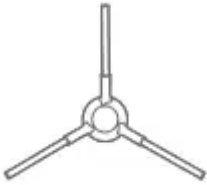


Mop Installation Shaft

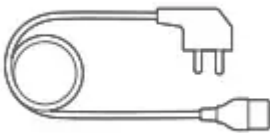
A6 Mop



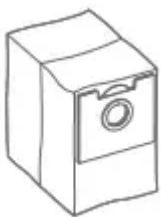
A7 Slide Brush



A8 Power Cord



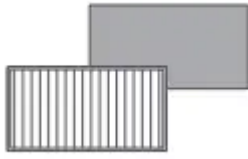
A9 Disposable Dust Collection Bag



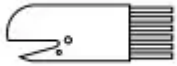
A10 Cleaning Fluid



A11 High-efficiency Filter Screen & Filter Cotton



A12 Cleaning Brush



A13 User Manual

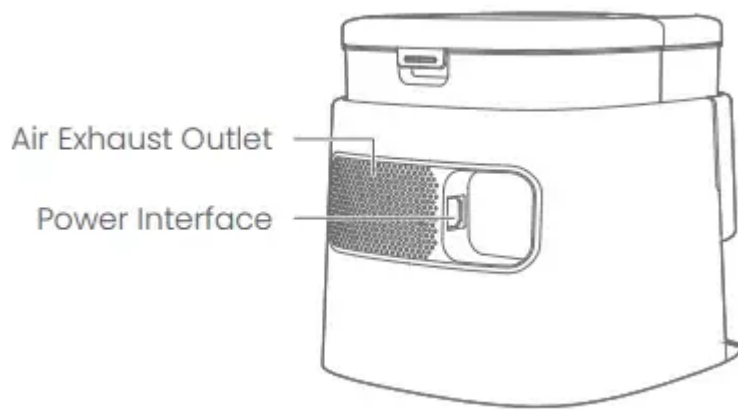


A14 Base Station



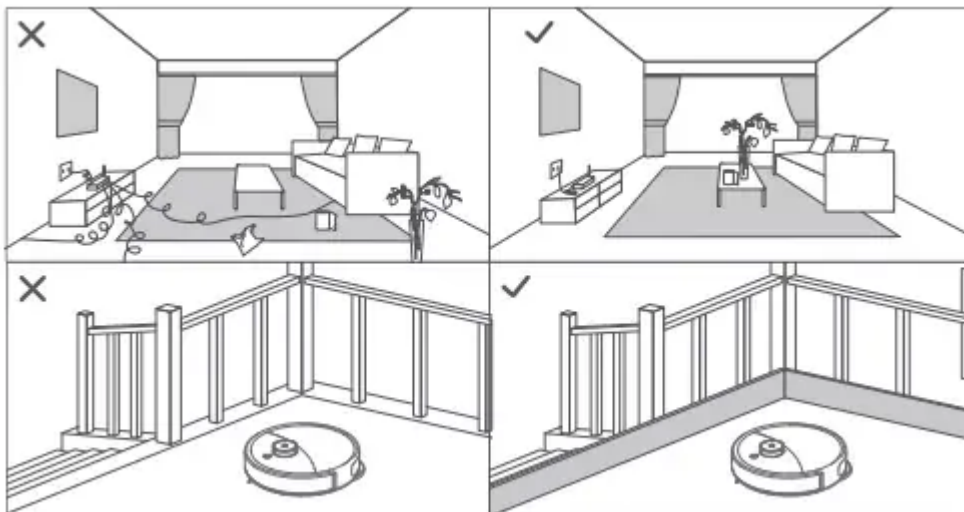
A15 Base Station (Back Side)





B Product Installation

Special Tip



1. Please clean up the sundries such as scattered wires, hard objects and sharp objects (such as iron nails and glass) on the floor before starting, and move away the items that are easy to tip over, fragile, valuable and those that may cause danger. Avoid the robot from getting entangled, stuck, dragged or knocked over, which may lead to personal injury or property damage.
2. If using this product in a suspended environment, make sure to use a firm physical barrier to prevent personal injury or property damage caused by the accidental fall of the robot.
3. Before use, ensure that there is no accumulated water on the floor, and do not wash the main unit with water to prevent the robot from being damaged due to water penetration.

Tips:

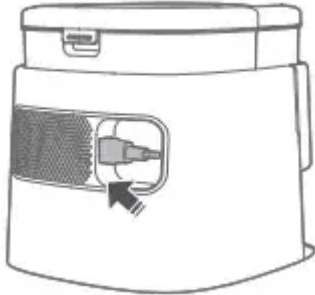
* It is recommended to follow the robot throughout the first cleaning process and assist in handling some possible minor problems. After dealing with these problems,

the robot can smoothly carry out autonomous cleaning in subsequent cleanings.

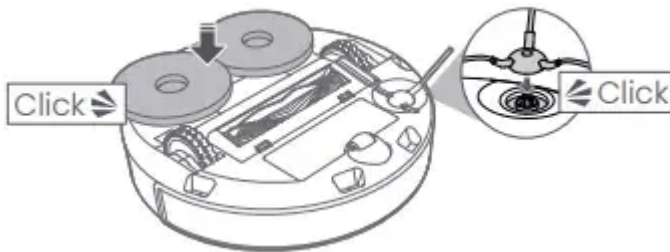
* Do not let the robot suck up hard objects or sharp objects (such as decoration waste, glass, iron nails, etc.), otherwise it may scratch the robot and the floor.

B1 Preparation Work

1. Press the power cord firmly into place as shown in the illustration,



2. Align and install the mop mounting shaft and the side brush onto the robot. When you hear a "click" sound, it indicates that the installation is in place.

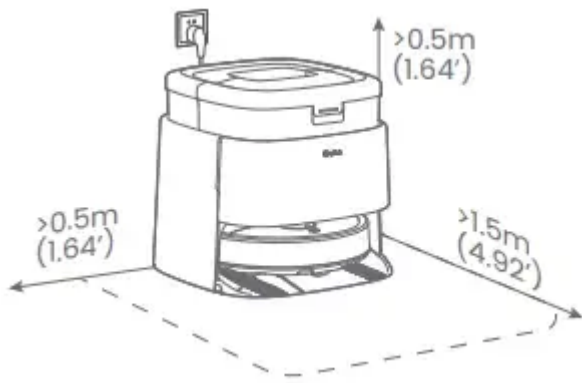


3. Remove the protective film of the robot.



B2 Base Station Installation

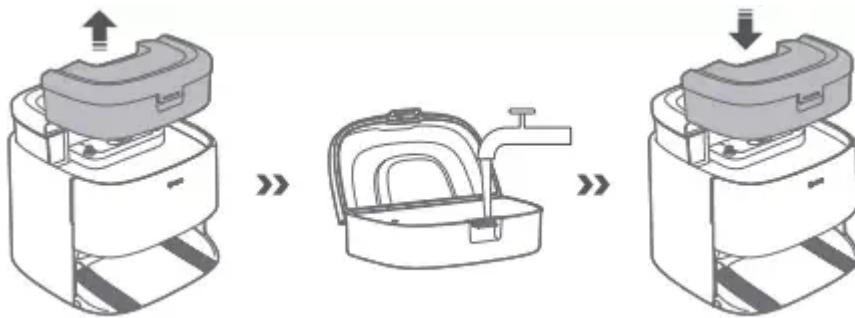
Please place the base station on a flat surface and insert the power cord to connect it to the power socket. Ensure that there are no objects within a range of 0.5 meters on both sides of the charging station and within a range of 1.5 meters in front of it to prevent the signal from being blocked. Do not place reflective objects such as floor mirrors around the charging station to avoid the influence of signal reflection on the use of the product.



B3 Watering the Clean Water Tank

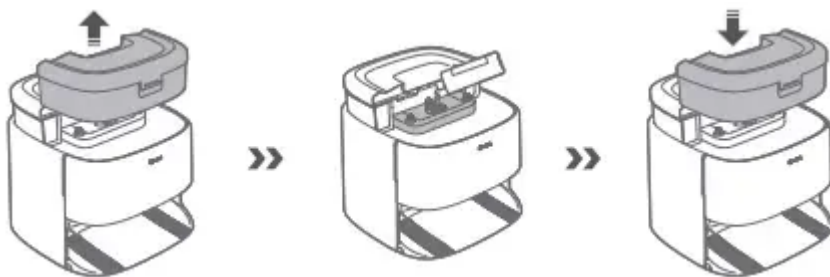
Lift the clean water tank upward, open the upper cover of the water tank and add clean water. After adding water, tightly close the upper cover of the water tank and install the clean water tank back into the base station. Please ensure that the water tank is fully installed in place.

**Do not pour hot water into the tank, as it may cause the tank to deform. Do not add cleaning solution to the tank, as it may result in an excessively high concentration of the cleaning solution, affecting the normal use of the robot.*



B4 Adding Cleaning Solution

1. Remove the clean water tank, open the sealing plug of the cleaning solution box and pour the cleaning solution into the cleaning solution box. After adding the solution, close the sealing plug and install the water tank back into the base station.



Attention:

* Do not add any non-official cleaning solutions or disinfectants, otherwise it may cause damage to the product.

* If there is no need to use the floor cleaning solution in daily use, this step can be skipped.

B5 Power On and Charge

Press and hold the power button (🔌) to turn on the device. After waiting for the power indicator light to stay constantly on and for the voice prompt, place the robot in front of the base station.

Make sure that the base station is powered on. Press the power button (🔌) twice briefly, and the robot will automatically return to the base station for charging. For daily use, keep the robot in a charged state to maintain the battery performance.

During charging:

- * When the battery level is less than 50%, the purple light breathes.
- * When the battery level is greater than 50%, the blue light breathes.

C Download and Connect The APP

C1 Download the App

1. Search for "Lefant" in the app store.
2. Scan the QR code to download and install the Lefant app.

C2 Enter The Network Configuration Mode

Press and hold the power button (🔌) for 6 seconds until you hear the voice prompt "Entering network configuration mode".

At the same time, the power indicator light starts to flash slowly in blue, indicating that the robot has entered the network configuration mode.

Note: When the router's configuration is modified, the password is forgotten, or for other reasons that cause the mobile phone to be unable to connect to the robot, you can repeat this step to re - add the device.

C3 Add Device

Open the home page of the mobile app, then click the "Add Device" button or the "+" button. Add your device as prompted on the page.

Note:

- * Due to the upgrade and update of the mobile app, there may be slight differences between the actual operation and the above description. Please follow the guidance in the mobile app for operation.
- * The WiFi wireless connection of this product supports 2.4GHz, 2.4GHz/5GHz, and 5GHz frequency band networks.
- * If the robot is in the waiting - to - connect state for more than 3 minutes, the WiFi function will be automatically turned off. To connect again, please re - enter the network - configuration mode.

D Product Use Instructions

D1 Power on/Power off

1. Press and hold the power button for 3 seconds to power on. The power indicator light will turn on, and the robot will enter the standby state.
2. Press and hold the power button for 12 seconds to power off, and this task will come to an end.

Note: The robot cannot be powered off while it is being charged.

D2 Start Cleaning

Briefly press the power button to start the cleaning, and the robot will dynamically plan the cleaning route. By default, after mapping along the walls, it will adopt the method of filling in a zigzag (bow-shaped) path to efficiently cover and clean each room one by one.

Notes:

- * To ensure that the robot can return to the base station smoothly, it is recommended to let the robot start automatically from the charging state. During the cleaning process, do not move the base station.
- * If the robot's battery level is too low, please charge it first before starting the cleaning.
- * Before cleaning, please tidy up all kinds of wires on the floor (including the power cord of the base station) and valuable items to avoid electrical power outages, damage to items, or wire entanglement caused by the robot dragging during cleaning.
- * If the cleaning time is less than 5 minutes, a new map will not be created, nor will it overwrite the original map.
- * When the battery level is insufficient during the cleaning process, the robot will automatically return to the base station for charging. After the battery level reaches 80%, it will automatically return to the interruption point to continue cleaning.
- * When the robot is cleaning, the map will rise by default and only vacuum the carpet. If you need to avoid the carpet, you can set it in the mobile app.
- * Before starting each cleaning task, you can select the pure sweeping or sweeping and mapping mode on the app.

D3 Pause

When the robot is in operation, press the power button briefly once to pause. Press the power button briefly twice to make the robot return to the charging dock for charging. In the paused state, press the power button briefly once to resume cleaning. Alternatively, place the paused robot back into the base station to terminate the cleaning task.

D4 Auto-sleep Mode

If the robot remains unoperated for more than 5 minutes, it will automatically enter the dormant state. You can wake it up by pressing any key. When the battery level is lower than 70% the robot will shut down after 24 hours of standby. When the battery level is lower than 30% it will shut down 10 minutes after going into dormancy.

D5 Do Not Disturb Mode

The default factory setting for the do-not-disturb time period is from 22:00 to 08:00. You can use the mobile app to modify this do-not-disturb time period or turn it off. Additionally, you can separately set whether the robot should initiate cleaning tasks, automatically resume cleaning, perform dust collection, wash and dry the map, as well as turn on or off the voice broadcast and indicator lights during the do-not-disturb time period.

D6 Charging

After the cleaning is completed, the robot will automatically return to the base station for charging. Press the power button twice briefly, and the robot will automatically return to the base station for charging. When it is charging, the button indicator light will flash in a breathing pattern and turn off when it is fully charged.

Note: If the robot fails to find the base station, it will automatically return to the starting position. Please manually place the robot back on the base station for charging.

D7 Dust Collection

After the robot finishes cleaning, it will return to the base station and automatically detect whether dust collection is required. Or you can manually start and pause the dust collection process through the mobile phone app.

Note:

- * Do not manually initiate dust collection multiple times in quick succession.
- * Ensure that the dustbin cover and the disposable dust bag are properly installed before using the dust collection function.

D8 Air Dry

After the robot completes the cleaning task, it will return to the base station to clean the map and then air-dry it automatically.

D9 Clean the map

When starting a cleaning task in the sweeping and mopping mode, the robot will clean the map first and then start the cleaning. The time interval for the map to return for washing can be selected according to your needs on the app. After the map is washed, the robot will automatically return to

the relay point to continue cleaning. You can manually control the robot to return and wash the map through the mobile app. When the map is being washed, you can stop the map-washing process in the device settings of the app.

Note:

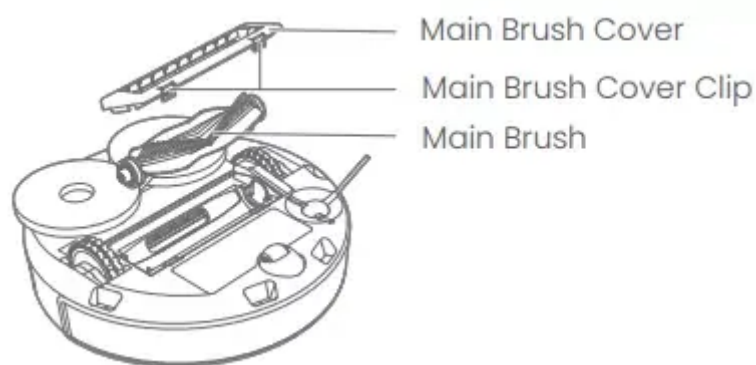
- * To ensure that the robot can return to the base station to clean the map properly, it is advisable to let the robot start automatically from the charging state.
- * During the cleaning process, do not move the base station, so as not to affect the robot's return to the base station.

E Daily Maintenance

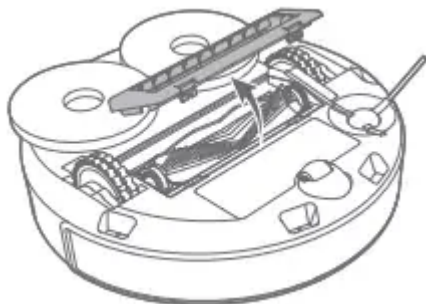
Note:

- * Before cleaning or maintaining the base station and the robot, make sure to power off the base station and turn off the robot.
- * The frequency of component replacement is determined by the actual usage situation. In case of abnormal wear, the components should be replaced in a timely manner to avoid affecting the cleaning effect.

E1 Main Brush

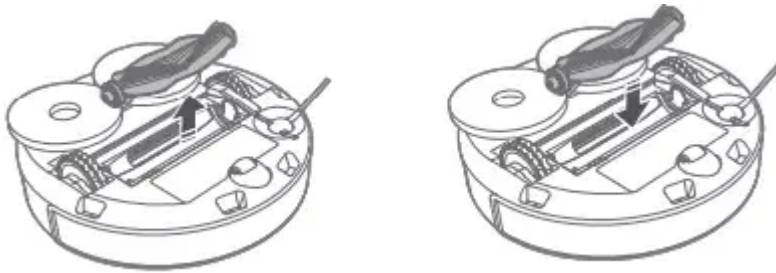


1. Flip the robot over, squeeze the buckle of the main brush cover and remove the main brush cover upwards.

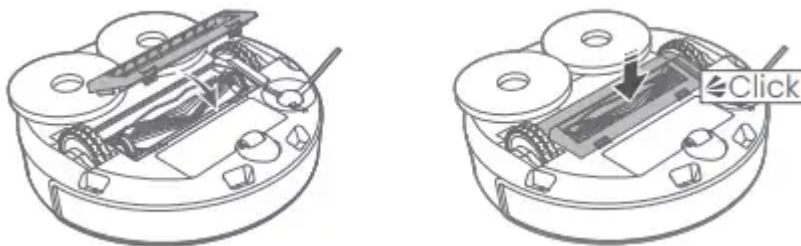


2. Lift the main brush upward as shown in the illustration. After taking it out, remove the hair or dirt entangled on the main brush. After cleaning, put the main brush back into the

robot and install it in place.

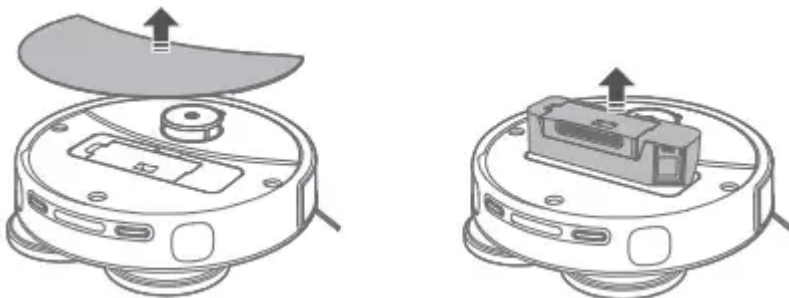


3. Install the main brush cover back onto the robot. Ensure that the main brush cover is inserted into the corresponding slot, and then press the main brush cover down firmly. When you hear a "click" sound, it indicates that the installation is in place.

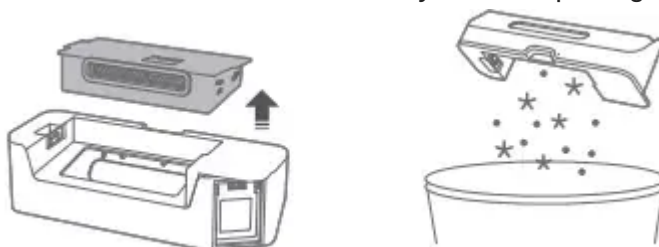


E2 Dust Box

1. Remove the magnetic suction upper cover, and then lift out the dustbin upwards.

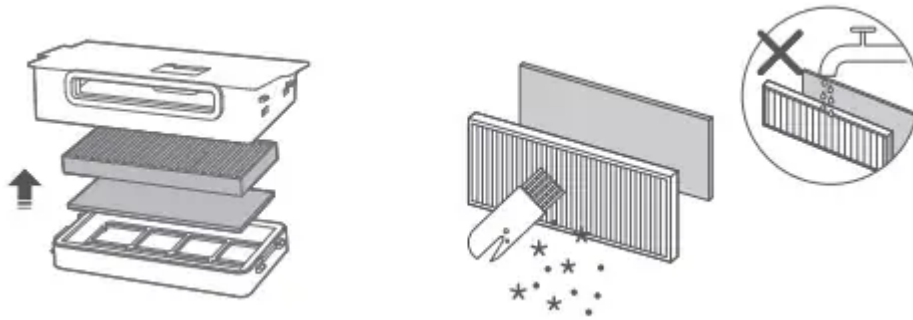


2. Take out the filter bracket assembly and dump the garbage in the dustbin.

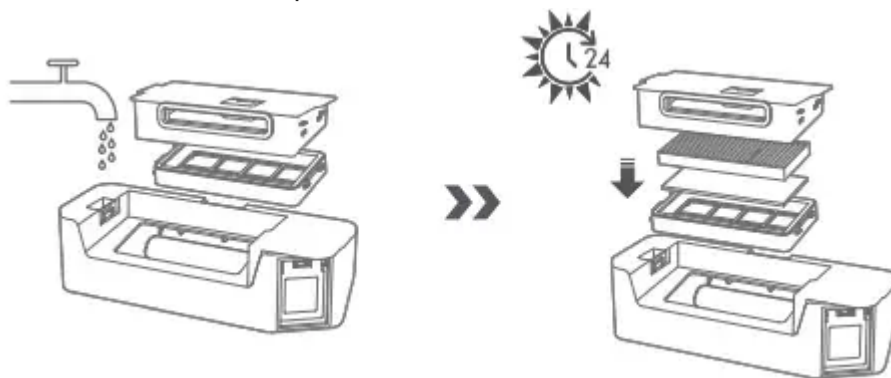


3. Take out the high-efficiency filter and filter cotton from the filter bracket assembly, and clean the high-efficiency filter and filter cotton with a cleaning brush. Do not wash them

with water.



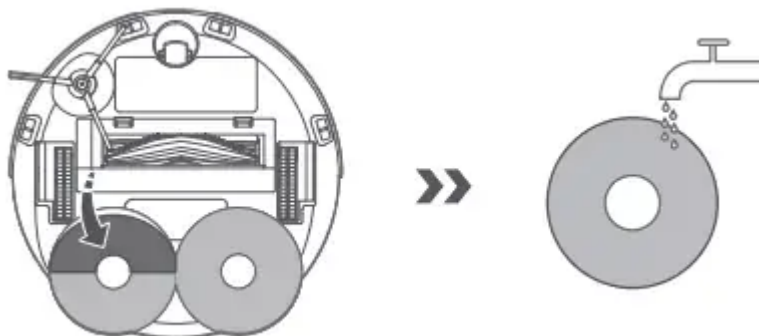
4. The main body of the dustbin and the filter bracket can be washed with water. After washing, let them dry in the sun for at least 24 hours until they are completely dry, and then reinstall them in sequence for use.



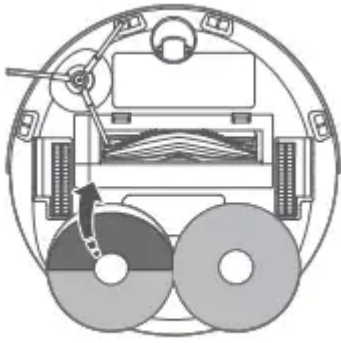
E3 Mop

Note: If the mop is severely dirty, it will lead to a decline in the cleaning effect. Please clean the mop regularly. Or, replace the mop with a new one on your own according to the degree of wear and tear of the mop.

1. Remove the mop from the mop bracket, clean the mop and let it dry completely in the sun.



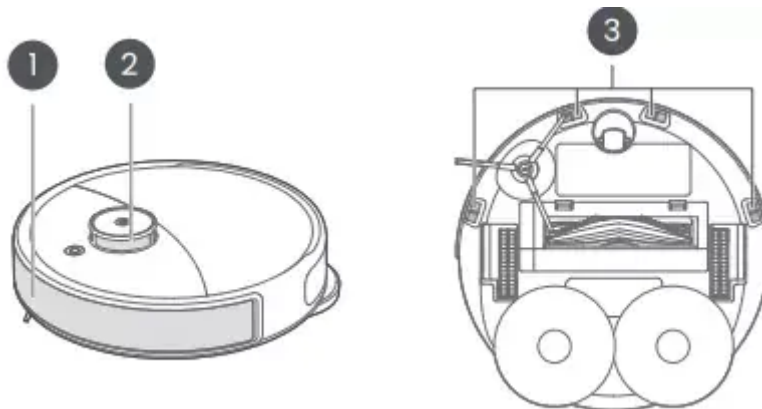
2. After it is dried, align and install the mop onto the mop bracket. Make sure it is firmly attached.



E4 Main Unit Sensor

Wipe and clean each sensor of the main unit with a soft dry cloth, including:

1. Obstacle avoidance sensor.
2. Laser navigation sensor.
3. Anti-fall sensor (it is recommended to clean the anti-fall sensor once a week to prevent dust from blocking and affecting the signal).



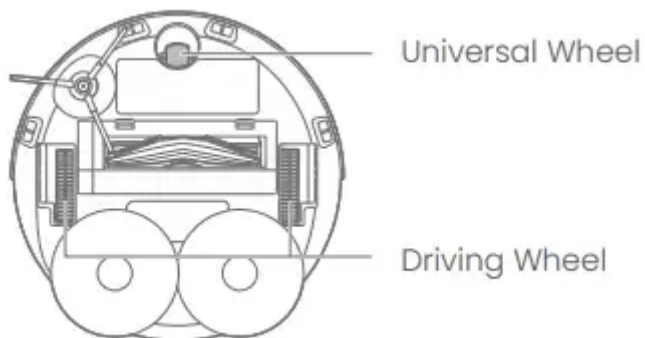
E5 Slide Brush

Pull the slide brush upwards with force to remove it. After cleaning the slide brush, reinstall it. Replace the slide brush with a new one on your own according to the actual degree of wear and tear.



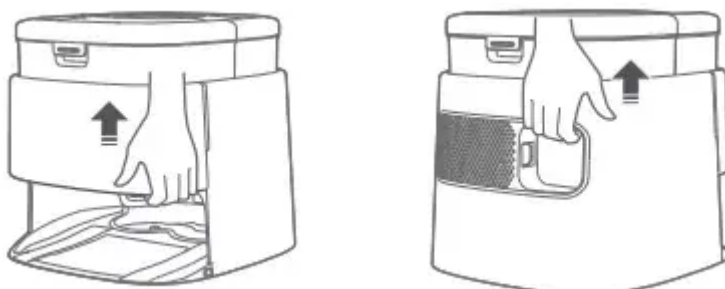
E6 Components of the Main Unit

It can be cleaned as needed according to the actual usage situation. When cleaning, please wipe the universal wheels and driving wheels of the robot with a soft dry cloth.



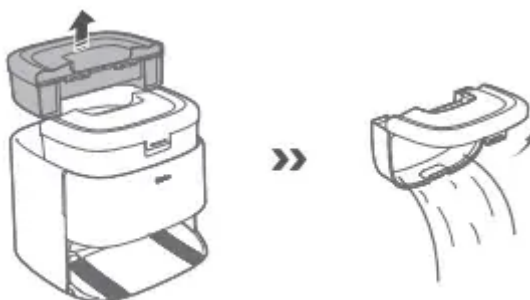
E7 Move the Base Station

When it is necessary to move the base station, please grasp the power supply groove on the back with one hand and the inner side of the front with the other hand, and lift it up as shown in the illustration. Do not directly lift the base plate of the base station, the water tank, the handle of the water tank or the cover plate of the dust collection bin for moving to avoid the risk of the base station slipping off and falling.



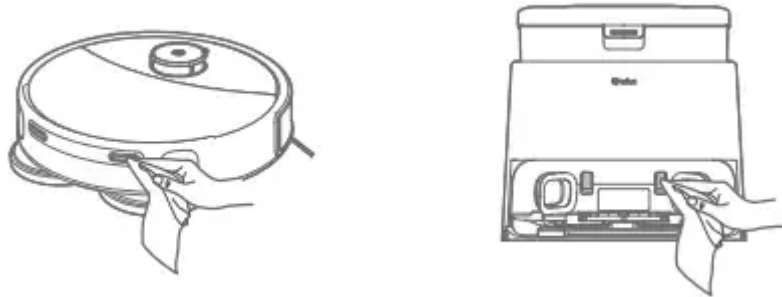
E8 Waste Water Tank

Take out the wastewater tank. After pouring out the wastewater, connect tap water to clean it thoroughly. After cleaning, wipe off the water stains on the surface with a soft dry cloth and put the tank back into the base station. Please ensure that the tank is installed in place.



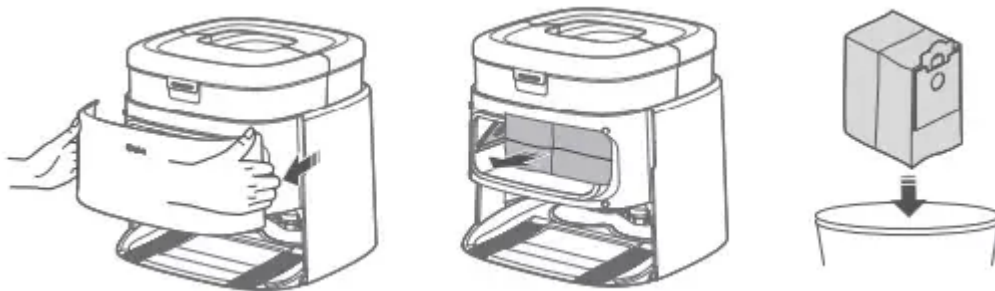
E9 Charging Spring Contact

Wipe and clean the charging contacts of the main unit and the base station with a soft dry cloth.

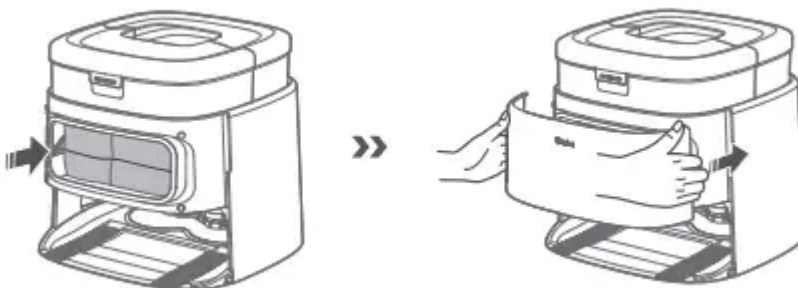


E10 Replace the Disposable Dust Collection Bag

1. Hold the cover plate of the dust collection bin with both hands and then open it outward. Take out the disposable dust bag along the direction of the arrow and discard it. When taking it out, do not let the garbage leak inside the dust collection bin, and keep the inside of the bin clean.

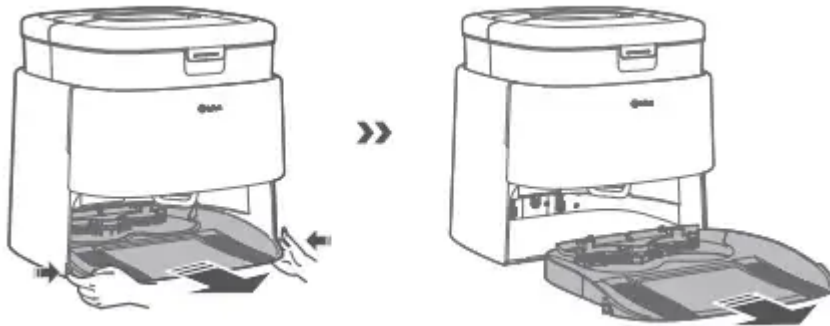


2. Insert the new disposable dust bag into the card slot as shown in the illustration. Make sure to insert the disposable dust bag all the way to the bottom to prevent garbage from leaking and damaging the base station. After installation, spread the dust bag flat. Then install the cover plate of the dust collection bin in place to ensure it is fully fixed and sealed.

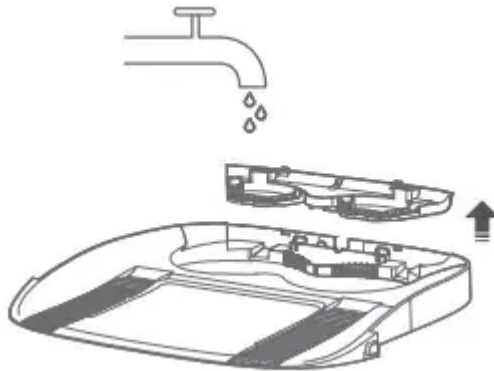


E11 Cleaning Tray Assembly

1. Press the buttons on both sides of the cleaning tray simultaneously, and pull out the cleaning tray assembly outward as shown in the illustration.



2. Wash the cleaning tray and the filter screen of the cleaning tray thoroughly with water, and let them dry completely in the air.



3. Install the cleaning tray assembly back into the base station. Ensure that the cleaning tray assembly is placed flat against the bottom of the base station and facing it directly, then push it all the way in. Please confirm that you can release your hand after hearing a "click" sound, which indicates that it is installed in place.



Basic Parameters

Robotic Vacuum Cleaner	
Product Model	M3
Wireless Connection	WiFi Smart Quick Connection
Rated Power of the Main Unit	85W
Operating Voltage of the Main Unit	14.4V
Charging Time	< 4 hours

Self-Cleaning Dust Collection Charging Base Station	
Product Model	J5
Power Input	100V–240V–50–60Hz
Rated Input Power (Charging + Air-drying State)	100W
Rated Input Power (Dust Collection State)	1000W
Rated Input Power (Hot Water Cloth Washing)*	900W
Rated Output	20V 22A

*The maximum power measured during the hot water cloth washing function.

Environmental Protection Instructions

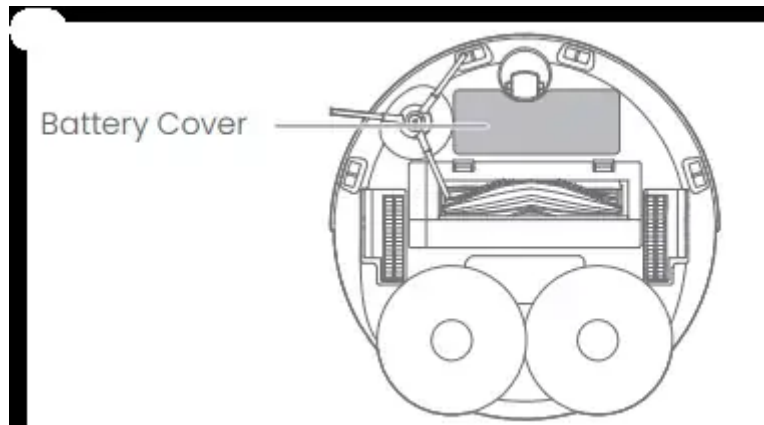
Steps to Remove the Battery

* The following information is only applicable when disposing of this robot and is not a part of the daily operation instructions.

The chemical substances contained in the lithium-ion battery built into this product may cause environmental pollution. Please remove the battery before scrapping the product and hand it over to a professional battery recycling station for centralized disposal.

1. Let the robot run until it is completely out of power and automatically shuts down without charging.
2. Make sure the robot is turned off.
3. Remove the screws of the battery cover on the bottom shell of the robot.

4. Open the battery cover.
5. After taking out the battery, pull out the connector plug of the battery.



Reminders:

- When disassembling the battery, make sure the battery is fully depleted and the robot is disconnected from the charging dock.
- Please remove the entire battery pack at once. Do not damage the battery pack casing to avoid short-circuits or leakage of hazardous substances.
- If the battery has exudate and you accidentally come into contact with it, rinse the affected area with plenty of clean water and seek medical attention immediately.

Frequently Asked Questions

During the use of the product, if the following problems arise, you can check and refer to the relevant information to solve the malfunction issues.

If you can't eliminate the malfunctions according to the operations in the table, you can contact the official after-sales service.

Problem	Type Solutions
Unable to Power On	<ul style="list-style-type: none"> - Battery power is insufficient. Please dock with the base station to charge before use. - Battery temperature is too low or too high. Please use it in an environment of 0 - 40°C (32°F - 104°F).
Unable to Charge	<ul style="list-style-type: none"> - The base station is not powered. Please confirm that both ends of the base station power cord are properly plugged in. - Poor contact. Please clean the charging contacts of the base station and the robot.
Unable to Return to Base Station	<ul style="list-style-type: none"> - The robot did not start cleaning from the base station. - There are too many obstacles near the base station, which affect the robot's return. Please clear the surrounding obstacles. - If the base station was moved or lost power while the robot was performing a cleaning task, manually place the robot back on the base station or check if the base station is powered on.
Unable to Connect to WiFi	<ul style="list-style-type: none"> - The WiFi network password is incorrect. Please ensure that the password of the connected WiFi network is correct. - The WiFi signal is weak. Please make sure the robot is within an area with good WiFi signal coverage. - The WiFi connection is abnormal. Please long - press the robot's power button for 6 seconds to re - enter the network - configuration mode, and use the latest version of the mobile app to connect again.
Unusual Noise During Cleaning	<ul style="list-style-type: none"> - The omnidirectional wheel has accumulated dust or been entangled by fine substances like hair during cleaning. It is recommended to use a screwdriver to pry out and clean it thoroughly. - Foreign objects may be entangled on the main brush, side brush or drive wheel. Please pause the robot, check and clean. - Hard objects may have entered the dust box. Please check the dust box and its opening and clean the foreign objects.
Robot Returns to Base Station with Insufficient Battery but Doesn't Resume Cleaning	<ul style="list-style-type: none"> - Please confirm that the robot is not in the Do Not Disturb mode, as it will not automatically resume cleaning in this mode. - Manually charging the robot or placing it back on the base station will not trigger it to resume cleaning.



<p>Reduced Cleaning Performance or Dust Shedding</p>	<ul style="list-style-type: none"> - The dust box is full. Please clean the dust box. - The filter is clogged. Please clean the filter or replace it with a new one. - The main brush is entangled with foreign objects. Please clean the main brush.
<p>Robot Misses Areas During Cleaning</p>	<ul style="list-style-type: none"> - The obstacle - avoidance sensor, anti - fall sensor and other main unit sensors may be dirty. Please wipe them clean with a soft dry cloth to ensure that the surfaces of the sensors are clean and unobstructed. - Check whether the doors of the rooms are open. Please make sure that the doors of the rooms to be cleaned are open before starting the cleaning. - Check whether there are steps or thresholds higher than 2 centimeters (0.8 inches) in the cleaning area. The robot cannot climb over high steps.
<p>The self-cleaning effect of the mop is not good.</p>	<ul style="list-style-type: none"> - The mop is not pasted smoothly. Please paste it smoothly again. - The environment is relatively dirty. It is recommended to use the mobile phone app to switch the mop washing interval to improve the cleaning effect.
<p>The dust collection effect is poor or there is an abnormal noise during dust collection.</p>	<ul style="list-style-type: none"> - The filter screen, dust collection air duct, dust collection port, dust collection air inlet, dust bin and dust bag are blocked. Please clean them.
<p>It cannot automatically collect dust.</p>	<ul style="list-style-type: none"> - The cover plate of the dust collection chamber is not properly installed. Please confirm that it is installed in place. - The robot will not actively collect dust when it automatically returns to the base station during the Do Not Disturb period. It is recommended to adjust the cleaning time, the time of the Do Not Disturb mode, or manually start the dust collection.
<p>It is unable to clean the mop.</p>	<ul style="list-style-type: none"> - There is no water in the clean water tank or it is not installed properly. Please check and deal with it. - The sewage tank is full or not installed properly. Please check and deal with it. - The cleaning tray assembly or the cleaning tray is not installed or not installed in place. Please check and deal with it. - The robot will not actively collect dust when it automatically returns to the base station during the Do Not Disturb period. It is recommended to adjust the cleaning time, the time of the Do Not Disturb mode, or manually start the dust collection.



The robot has an abnormal cleaning performance.	- Please press and hold the power button (⏻) for 12 seconds to turn off the device, and then turn it on again.

Warranty

This warranty covers the repair or replacement of the malfunction device at our company's discretion for a period of 1-year. In addition this certificate is void if altered. The serial number must be provided as well as all accessories to be eligible for warranty coverage. Please kindly fill in below form accurately and completely.

Important: When returning this device, carefully pack the product to avoid damage in shipping. Damage in shipping is not covered by the Warranty and shall be the sole responsibility of Buyer. Damage or loss not covered by this Warranty or occurring outside the warranty period will require a fee to cover the cost of handling and shipping. All such fees and costs shall be the sole responsibility of Buyer.

Exclusion

Unless agreed in writing, the warranty will not apply if the defects relate to:

- Consumable parts such as filters, or brushes etc, that are subject to normal wear and tear, and require regular maintenance and/or replacement to ensure the proper functioning of your unit.
- Defects caused by rough or inappropriate handling or use or damage caused by accident, misuse, neglect, fire, water, lighting or other acts of nature, external sources such as weather, electrical outages or power surges.
- Improper operation or maintenance, use not in accordance with the product instructions or connection to improper voltage supply.
- Accident, abuse, misapplication, or any unauthorized repair, modification, or disassembly of the product.
- Any failure to adequately package the product for transportation.
- Use of parts not in accordance with the product instructions.
- Use of parts and accessories other than those produced or recommended by our company.
- Use in a commercial environment as the product is designed for residential use only.
- Consequential and incidental damages.
- Any product(s) purchased from unauthorized dealers/resellers.
- Products used outside the country of purchase.
- Lost and/or stolen products.

Order Number:

Serial Number:

Date of Purchase:

Warning

This content is compiled from multiple sources and is provided for reference purposes only. It may not be complete or fully applicable to all situations. If you are unable to resolve your issue, please contact the product manufacturer or an authorized service provider for official support.

Document generated by [ManualsFile](#)

