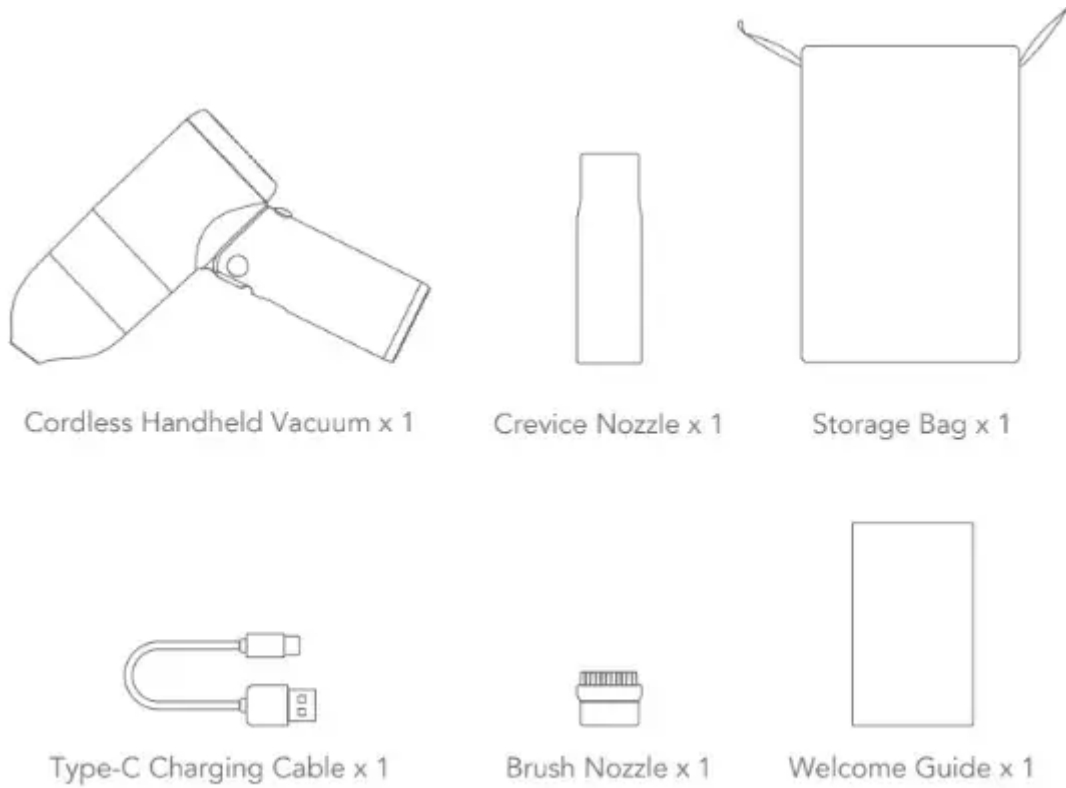
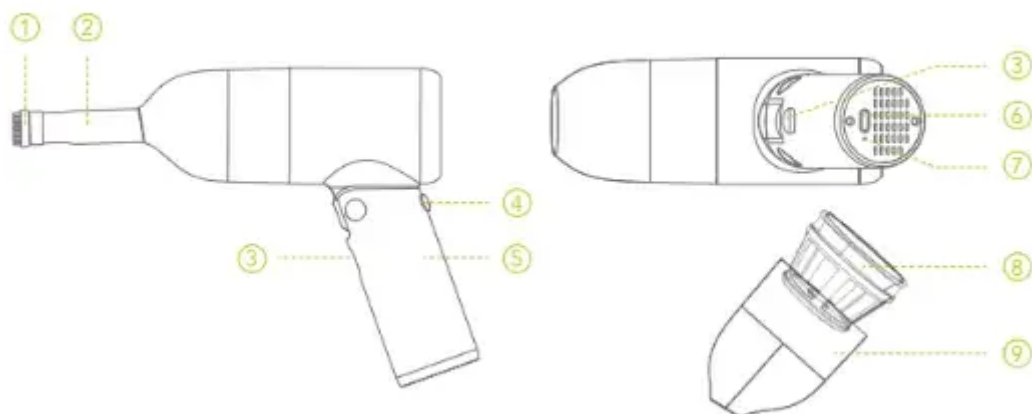


Package contents



Product Overview



1. Brush Nozzle
2. Crevice Nozzle
3. On/Off Switch

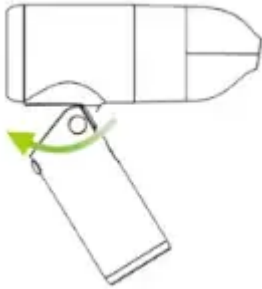
4. Folding Button
5. Handle
6. Type-C Charging Port
7. LED Indicator
8. HEPA Filter
9. Dust Container

Specifications

Size	148mm*155mm*57mm
Weight	353g
Material	ABS+PC
Battery	Li-ion 2000mAh
Input	5V 2A
Usage Type	Dry

Operation Instructions

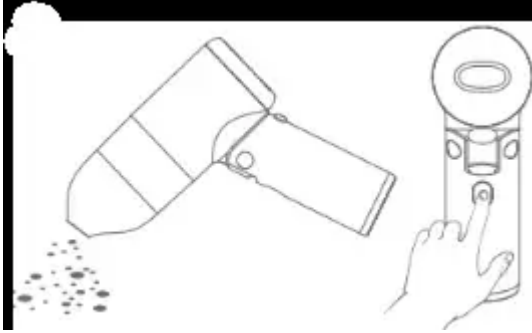
1. Unfold the handle.



2. Long-press the power button to turn on the vacuum.



3. Press the power button to turn off the vacuum once the cleaning is finished.





4. Press the folding button to fold the vacuum up.



Charge Your Vacuum

1. Fully charge the vacuum for the first use.
2. Make sure that the vacuum is already turned off before charging it.
3. Please plug the Type-C charging cable into the Type-C port of the vacuum and the other end into a suitable adapter.
4. Plug the adapter into a socket.
5. The indicator light will flash slowly while charging and the white indicator light will be on after fully charged.

Note: Please use an adapter to charge the vacuum.

Status	LED Indicator
Being charged	 Light flashing
Fully charged	 Light on

Attention:

1. It is a normal phenomenon that the vacuum may heat up during charging.
2. Make sure to charge the vacuum cleaner with the charging cable included in the package.

Clean and Replace the Dust Container and HEPA Filter

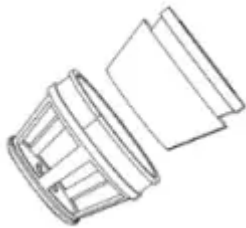
1. Anti-clockwise to twist off the dust container.



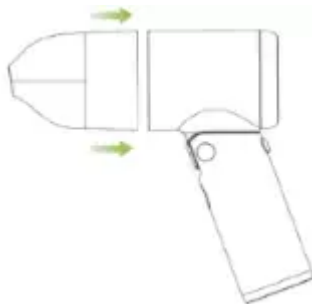
2. Take out the washable filter for cleaning.



3. Dry the filter then install it into the dust container.



4. Clockwise to install the dust container.



For optimal performance, empty the dust container after you use the vacuum cleaner, and wash the dust container and HEPA filter regularly.

The HEPA filter is advised to be washed when it becomes dusty and the suction is weak.

Turn off the vacuum and empty the dust container before vacuum cleaning.

Important Safety & Usage Instructions

1. The package does not include the adapter, please use a 5V 2A adapter to charge the vacuum.
Check if the adapter's output voltage is 5V otherwise your vacuum cannot be charged by it.
Check if the adapter's output current is 2A when the charging time is over 4 hours.
In addition to an adapter, the vacuum can be directly charged by other USB devices such as car chargers, laptops, power banks, etc. Please check the specification of the USB charging port when it is charged by different devices.
2. This appliance is not intended for people (including children) with reduced physical, sensory or mental capabilities, or lack of experience and knowledge, unless they have been given supervision or instruction concerning the use of the appliance by a person responsible for their safety. Children should be supervised to ensure that they do not play with the appliance.
3. Do not use the appliance as a toy. Great care is needed while using the vacuum cleaner near the children.
4. Keep hair, clothes, fingers, and body parts away from the suction and moving parts of the vacuum. Do not use the device to vacuum messes off of people or animals.
5. Do not use or store the vacuum in an environment with high humidity.
6. Keep the ventilation hole pointed away from the eyes while powering on the device.
7. Do not leave the vacuum alone when it is on. Turn off the vacuum when it is not in use or before emptying and cleaning the dust container.
8. Do not use the vacuum or touch the charging cable when your hands are wet.
9. Keep the charging cable away from heat sources (e.g. cooking utensils and other hot objects).
10. Use the vacuum as instructions and with supplied accessories and charging cable.
11. Do not start the vacuum cleaner while the suction part is blocked.
12. Do not use the vacuum until the dust container and the filter are installed.
13. If the vacuum is damaged, it must be repaired by a qualified technician. Do not attempt to disassemble or repair it yourself.
14. Do not use the vacuum to suck up burning or smoky objects such as cigarette ends, matchsticks, uncooled ashes, etc.
15. Do not vacuum large or sharp objects such as glass, etc.
16. The product is not for industrial use. It is not suitable to suck up cement ash, mortar ash, lime, and other industrial dust.

The Environment

The symbol on this appliance may not be treated as household waste. Instead it must be handed over to the applicable point for the recycling of electrical and electronic equipment. Disposal must be carried out in accordance with local environmental regulation for waste disposal. For more detailed information about treatment, recovery and recycling of this appliance, please contact your local city office, your household, and waste disposal service or the shop where you purchased the appliance.

Warranty Certificate

Customer's Name:

Order ID:

Product Model:

Problem Description:

This product is covered by a guarantee from the date of purchase. The warranty is valid only when the warranty card is properly completed.

Warranty is limited to the core product. Accessories included in the package are not covered.

Please contact us if you have a question or experience a problem with your vacuum purchase, we promise we will give you a satisfied solution within 24 hours.

365 DAYS WARRANTY

Email: contact@oraimo.com

Warning

This content is compiled from multiple sources and is provided for reference purposes only. It may not be complete or fully applicable to all situations. If you are unable to resolve your issue, please contact the product manufacturer or an authorized service provider for official support.