

IMPORTANT SAFETY INSTRUCTIONS

When using electrical appliances, basic safety precautions should be followed to reduce the risk of fire, electric shock and injury to persons or property. Read all instructions before operating the machine for the first time.

CAUTION: ICE CAN'T BE STORED IN THE ICE BIN DURING NIGHT TIME, IT'S NOT A FRIDGE, ICE WILL BE MELTED TO WATER AND GET OUT OF THE MACHINE.

1. If connect with water supply CAUTION: must connect the potable water supply.
2. The machine is intended to be used in household and similar applications such as:
CAUTION ICE CAN'T BE STORED IN THE ICE BIN DURING NIGHT TIME. ITS NOT A FRIDGE. ICE WILL BE MELTED TO WATER AND GET OUT OF THE MACHINE.
3. When using electrical appliances, basic safety precautions should be followed to reduce the risk of fire, electric shock, and injury to persons or property. Read all instructions before operating the machine for the first time.
4. The machine should be used in household and without obstacles surrounded, good ventilation place. There must be at least 59 inches (15 cm) between the four sides of the machine with the wall.
5. Don't operate this or any other appliance with a damaged cord.
6. Connect to properly polarized outlets only. No other appliance should be plugged into the same outlet. Be sure that the plug is fully inserted into the socket.
7. Don't place the machine and power cord near flammable material. Do not cover the cord. Do not submerge it in water.
8. We do not recommend the use of an extension cord, as it may overheat and become a risk of fire.
9. Unplug the ice maker before cleaning or making any repairs or servicing.
10. Exercise caution and supervision when appliance is used near children.
11. Don't use your ice maker outdoors. Avoid direct sunlight and make sure that there is at least 59 inches (15 cm) of space between the back and sides of your unit and the wall.
12. Don't use any liquid other than water in the unit to make the ice.
13. Do not clean your ice maker with flammable detergents. The fumes can create a fire hazard or explosion.
14. Do not tip the machine over.
15. If the ice maker is brought indoors from outdoors during the wintertime, give it a few hours to warm up to room temperature before plugging to power source.

16. This unit should be properly grounded for your safety. The power cord is equipped with a three-prong plug which mates with standard three prong wall outlets to minimize the possibility of electric shock.
17. Plug your appliance into a dedicated, properly installed and grounded wall outlet. Do not, under any circumstance, power and or grounding should be directed toward a certified electrician.
18. The foaming materials inside is combustible which must be kept away from fire.
19. It's forbidden to pull the cable to unplug the plug; pull the plug is a must.

IMPORTANT: To avoid hazard due to instability, unit must be placed on an even and flat surface.

WARNING: The machine must be grounded.

1. Only connect to drinking water sources that meet local drinking water standards.
2. In addition to the method recommended by the manufacturer, no mechanical equipment or other methods should be used to accelerate the defrosting process, which will damage the system.
3. The refrigeration system contains high-pressure refrigerant and the refrigeration system must not be damaged. Special care must be taken during installation and handling. Installation and maintenance must be performed by a professional and scrap must be disposed of by designated recycling departments.
4. The ice machine has thermal insulation materials which are flammable materials and must be kept away from the fire source.

UNPACKING YOUR ICE MAKER

Warning: Please keep foam and other packaging materials from children and disabled people as this may cause danger to them.

NOTE: Please remove all packages when using, or else the machine may not work properly.

- a. Remove the packaging and check whether the machine is intact.
- b. Open the accessory package and check whether the below accessories are included.

Accessories list				
NO	Description	Picture	Usage	QTY
1	Manual		Operation manual	1PC
2	Filter		Filter water	1PC
3	Spanner		Twist the filter off or on	1PC
4	Fixed plate		Fix the filter	1PC
5	Screw		To fix the filter	6 PCS
6	Drainage pipe		Drain	1PC
7	Ice spoon		Take ice cubes	1PC
8	Nylon cable ties		Fix pipe if needed	2 PCS
9	Hoop		Fasten the drainage pipe together if needed	1PC
10	Seal ring		Spare. Put in the joint which connects the faucet	1PC
11	Seal ring		Spare. Put in the other joint of filter	1PC
12	Spare blue clip		Spare blue clip if needed	2 PCS
13	Spare plug		Spare plug which plug the tank if needed	1PC
14	Feet		Screw fee before using the machine	4 PCS
15	PTFE Tape		Tie up the connector if needed	1PC

The placement of the machine

- a. Find a location for your ice maker where it's protected from direct sunlight and other sources of heat (i.e. stove, furnace, radiator). Place the ice maker on a level surface. Make sure that there is at least 59 inches (15 cm) of space between the back and sides of your ice maker and the wall.
- b. The ambient temperature around the machine should not be lower than 33°F (0.6°C) nor higher than 104°F (40°C). Ensure there is at least 59 inches (15 cm) of space between the back and sides of your unit and the wall.
- c. The machine should be placed on a stable place.
- d. Please do not put anything on top of the machine.
- e. After you unpack the machine, we recommend you to leave it for 24 hours before turning it on.
- f. Clean the interior with lukewarm water and a soft cloth or clean the unit using the Self-Clean function.
- g. The appliance must be positioned where the plug is accessible.

Installation and connection

NOTE: Installation must be operated according to the manual by a professional.

If you have any questions about the installation and connection we can send the tutorial video to you, please contact us. Support email: Support@tittla.com, Phone number: 15102284672.

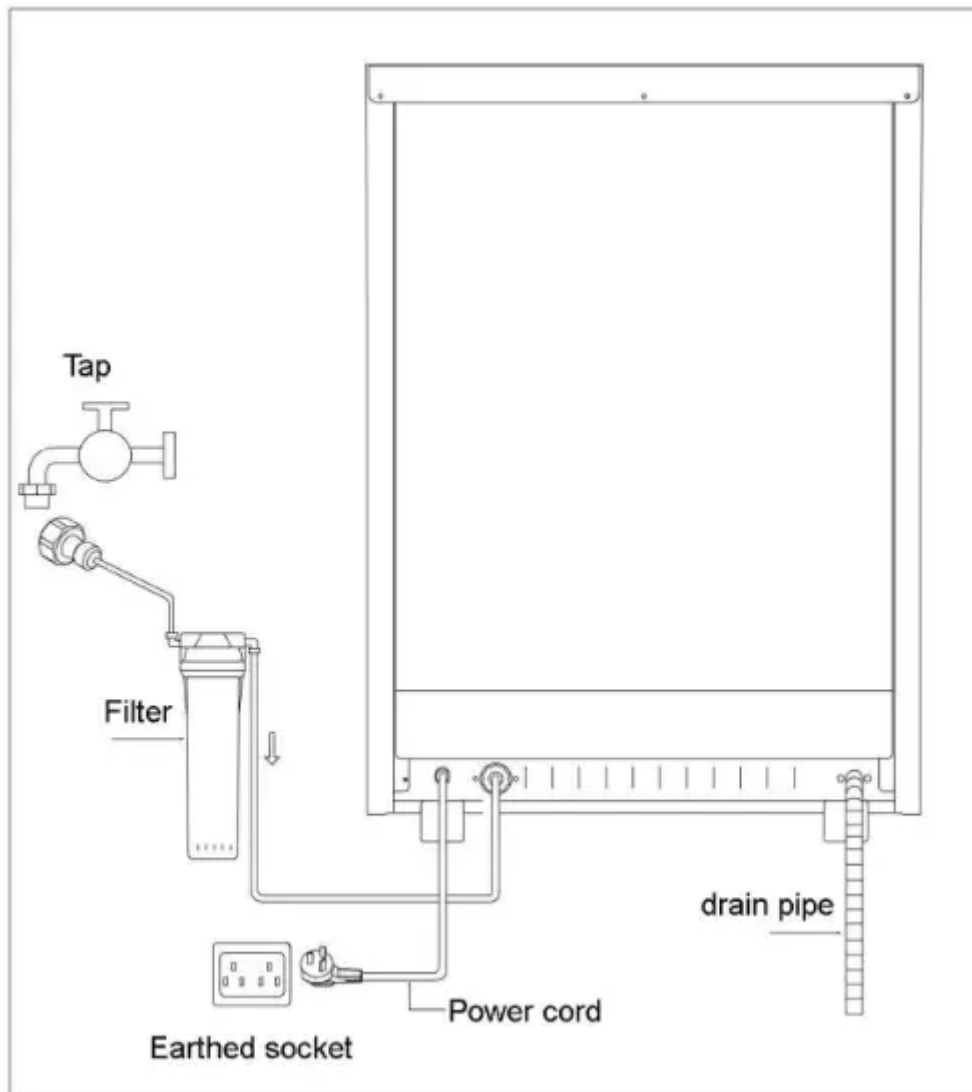
Water connection of the machine

Warning:

- a. The ice machine can only be connected to a drinking water source and the water source must comply with local drinking water standards.
- b. The water supply to the ice maker must be connected to a filter to improve the drinking standard of the water. Please do not directly connect to tap water.
- c. The water supply pressure should be within 14.5–58psi. If the pressure is greater than 58psi, a pressure reducing valve needs to be connected.
- d. The machine is drained by its own weight, so the drain pipe should have sufficient height.

Drainage

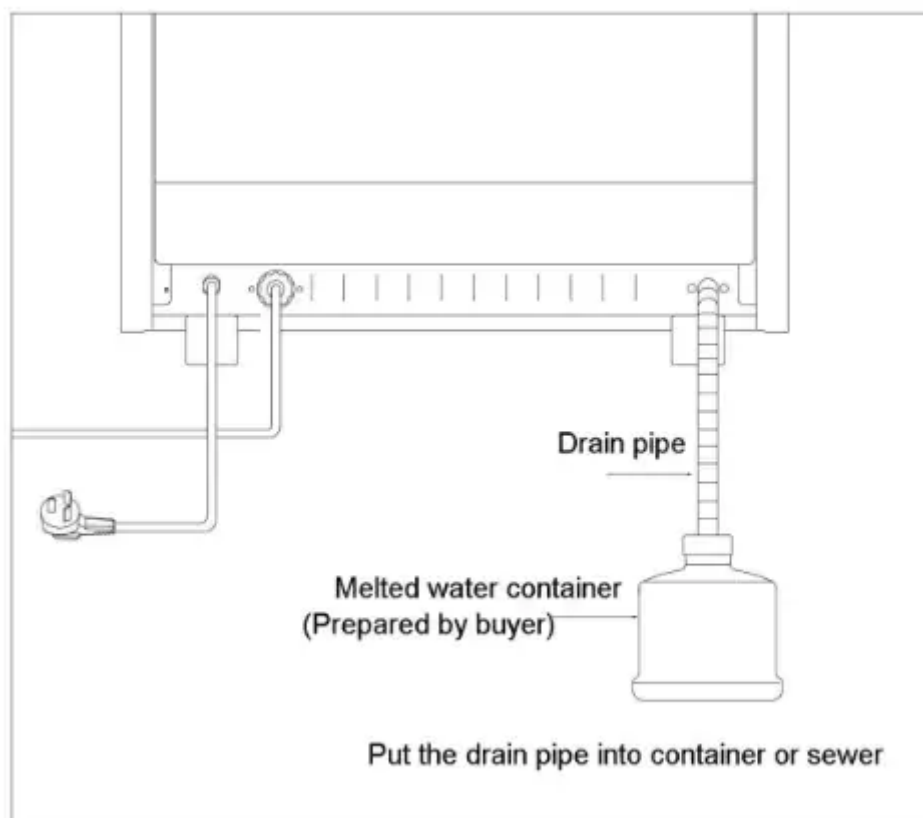
1) Water intake



2) Drainage

Warning: Because the ice in the inner tank will melt, drain pipe must be connected before using and insert the drain pipe into a container or into the sewer.

Note: Connect one end of the drain pipe to the machine and the other end to a container or sewer. The other port of the drain pipe must be lower than the drain port of the machine.

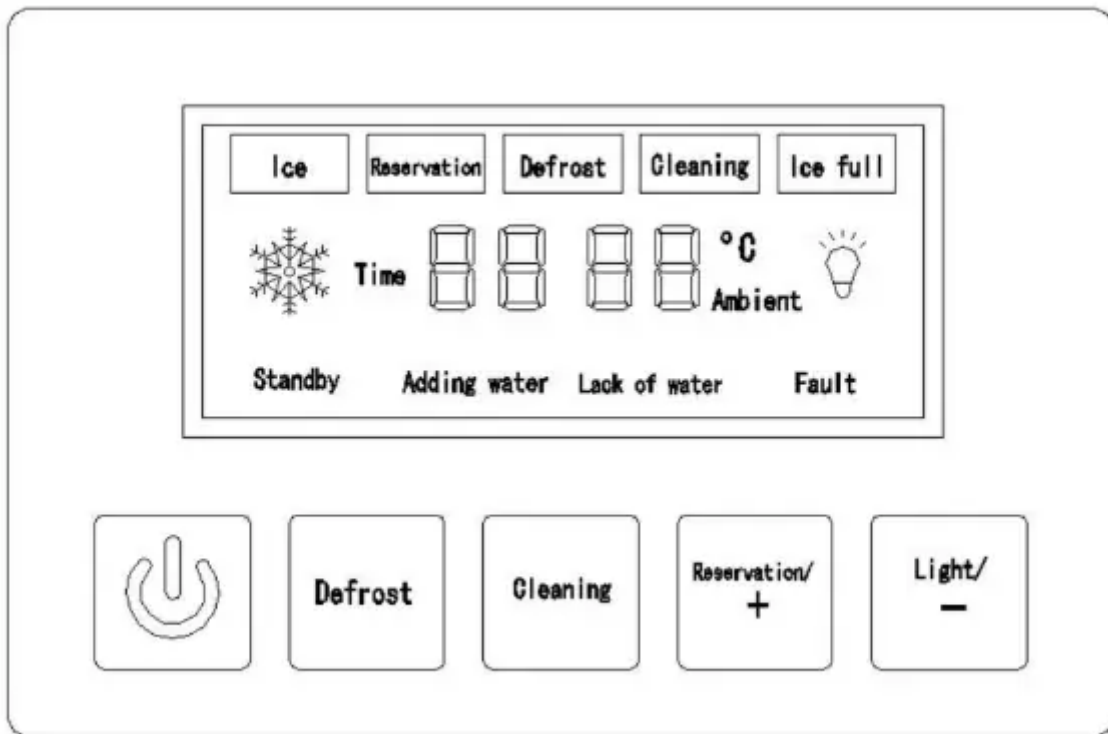


3)Electrical connection

WARNING:

1. The machine must be grounded.
2. The fusing current of the electrical box must be $>10A$. If it is to be replaced, must be operated by a technician.
3. Electrical connection: voltage fluctuation cannot exceed 10% of rated voltage, or a voltage stabilizer is needed.
4. The blue light installed inside the machine must be replaced by a professional.

MACHINE OPERATIONS




Operation Panel

Quick introduction:

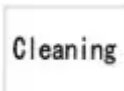
1. Connect and turn on the water faucet before powering the machine.
2. Turn on the machine; it starts to replenish water with lighted "adding water" and "lack of water"; after finishing, it will enter standby mode with "00" displayed on the screen. At the same time "adding water" and "lack of water" will be off.

3.  :
ON/OFF SWITCH

Press to make ice, and hold for 2s to turn it off.

4.  :
Defrost

Hold for 2s to force the ice cubes fall from the evaporator ahead of time.

5.  :
Cleaning

When the machine is in standby mode, press the "**Cleaning**" button to make the machine automatically enter self-clean program for 5 min.

6.  :
Reservation/ +

A: When the machine is at the middle of ice making, press the "**Reservation/+**" button to

increase the making time in minute.

B: When the machine is at the middle of ice making or standby mode, hold the button for 2s to set the auto-turning-on or auto-turning-off time. The time range is from 0–23 hour in hours.



A: When the machine is at the middle of ice making, press the "**Light/-**" button to reduce the making time in minute.

B. Hold the button for 2s to turn off the blue light when the light is on.

Hold the button for 2s to turn on the blue light when the light is off.



A. The count down time for the ice making procedure or reservation time or replenishing water.

B. "--" and standby indicator means the machine is in standby mode.

C. "00", "add water" and "lack of water" indicator mean the machine is replenishing water.

CLEANING & MAINTENANCE

Please thoroughly clean your ice maker before initial use.

EXTERIOR

The outside of the ice maker should be cleaned regularly with a mild detergent and warm water. Always use a soft cloth to avoid scratching or damaging the housing.

SPOON

Clean with mild detergent and warm water in a week.

Storage tank

Clean with mild detergent and warm water in a week.

PUMP

Clean with mild detergent and warm water in a week. Turn off and unplug the machine, take the pump out, clean it with a brush, then install it back.

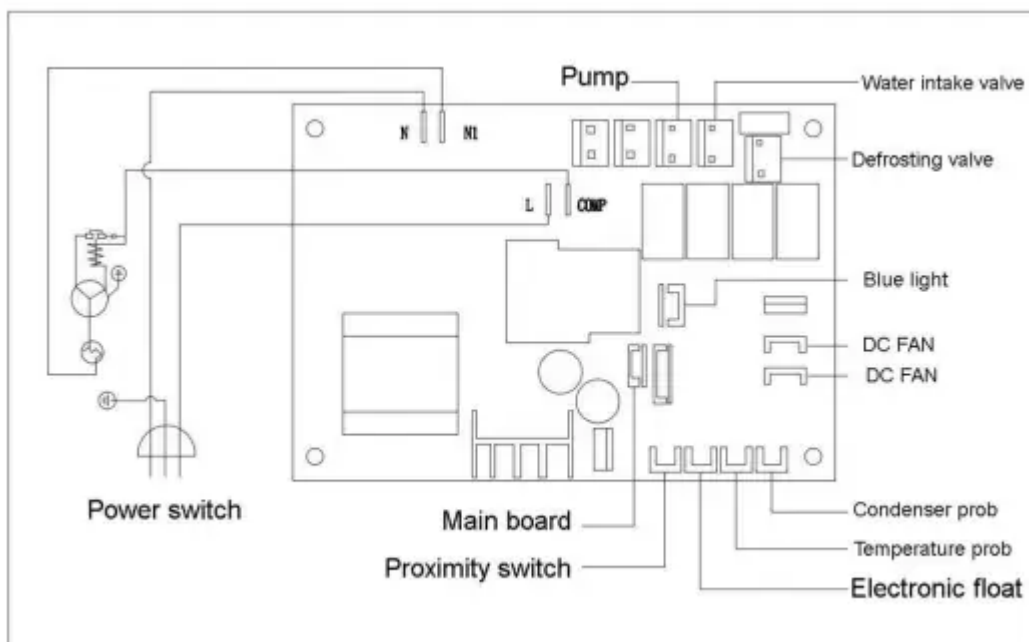
INTERIOR - Self-Clean function

1. Add water and vinegar or lemon juice mix 1:1 ratio.

2. Plug in unit, press and hold the CLEAN button for approximately 6–7 seconds, then release. The unit will automatically enter Self-Clean program. This process takes about 5–6 minutes. When the Self-Clean program is finished, unit will automatically power off.
3. The fan blade will be rotating. This process rinses the inside parts several times.
4. After the Self-Clean program is completed, unplug the power cord and drain out the water by unplugging the drain cap on the side. Replace drain cap.
5. Add fresh water to the water reservoir up to the water level mark.
6. Plug the unit and repeat the Self-Clean process by repeating steps 3 to 5. This will rinse out the vinegar/lemon residue.
7. After draining the water, replace and tighten drain cap.
8. Dry the interior and exterior with a clean, soft cloth.

NOTE: It is strongly recommended to clean the unit before initial use or after the unit has not been in use for a long period of time.

Circuit Diagram



- 14 Pump
- 15 Compressor
- 16 DC fan (Keep prevail)
- 17 Condenser
- 18 Main board cover
- 19 Main board
- 20 Main board box
- 21 Feet
- 22 Solenoid valve



Common malfunction analysis

1. NO ICE



Issues	Check items	Possible causes	solutions
The machine doesn't work	Power cord	The plug didn't plug into socket	Plug into socket
	The fuse of PCB	The fuse is melted or broken	Replace the fuse
	Ice bin	The ice is full	Clean out the ice cubes
	Power supply	No power or lower voltage	Contact power supply bureau
	Water supply	No water or water pressure is low	Check water source and its pressure.
	Inlet valve	Inlet valve is broken	Replace the inlet valve.
	Proximity switch	Proximity switch is broken	Replace the proximity switch.
Compressor didn't work or stop working suddenly	Power supply	Lower voltage	Contact power supply bureau
	Air inlet	Air inlet is congested	Ensure that the machine's surrounding space of at least 15 cm is clear of any objects
	Condenser	Too much dust covered	Clean the condenser
	Refrigerant	Refrigerant leaked	Contact after sales service)
	Compressor	Connection wire is broken off	Contact after sales service)
No water in the water tank	Float	Float was jammed or damage	Pull the float to normal position or replace
	No water supply	Pipes get clogged or water outage	Check the pipes or contact water supply bureau.
Water leakage	Water inlet		Retightened the water pipe

		Water inlet is loosened	
	Inlet or outlet pipe	It's broken	Replace a pipe.

2. Lower making speed

Issues	Check items	Possible causes	solutions
Take too long to make ice	Water pressure	Lower water pressure	Check the water source.
	Water temperature	Water temperature is high	Change to a water source of lower temperature.
	Ambient temperature	Ambient temperature is too high or too low	Change to a place of lower temperature.
	Refrigerant	Refrigerant leakage	Contact the after sales.
Productions of ice cubes is low and the cube ice is too thin	Condenser	Too much dust covered on causes bad ventilation, will take too long to make ice	Clean the condenser
	Water pump	Water pump broken	Replace a water pump
	Ambient temperature	Ambient temperature is relative hih	Change to a place of lower temperature
	Air inlet	Air inlet is congested	Ensure that the machine's surrounding space of at least 15 cm is clear of any objects

Warning

This content is compiled from multiple sources and is provided for reference purposes only. It may not be complete or fully applicable to all situations. If you are unable to resolve your issue, please contact the product manufacturer or an authorized service provider for official support.

