

Black And Decker INSTRUCTION MANUAL MICROWAVE OVENS



Customer Care Line:

- UsA 1-800-842-1289
- Accessories/Parts (UsA) 1-800-842-1289

Model: EM720CPN-PMB 700W

PRECAUTIONS TO AVOID POSSIBLE EXPOSURE TO EXCESSIVE MICROWAVE ENERGY

- (a) Do not attempt to operate this oven with the door open since open-door operation can result in harmful exposure to microwave energy. It is important not to defeat or tamper with the safety interlocks.
- (b) Do not place any object between the oven front face and the door or allow soil or cleaner residue to accumulate on sealing surfaces.
- (c) Do not operate the oven if it is damaged. It is particularly important that the oven door close properly and that there is no damage to the:
- (1) DOOR (bent)
 - (2) HINGES AND LATCHES (broken or loosened)
 - (3) DOOR SEALS AND SEALING SURFACES
- (d) The oven should not be adjusted or repaired by anyone except properly qualified service personnel.

Specifications

Model:	EM720CPN-PMB
Rated Voltage:	120V~60Hz
Rated Input Power(Microwave):	1050W
Rated Output Power(Microwave):	700W
Oven Capacity:	0.7 Cu.ft
Turntable Diameter:	10 inch
External Dimensions:	17.3 X 13.97 X 10.17 inch (439.5X355X258.2mm)
Net Weight:	Approx.21.6 Lbs (9.8 kg)

IMPORTANT SAFETY INSTRUCTIONS

WARNING! To reduce the risk of burns, electric shock, fire, injury to persons or exposure to excessive microwave oven energy when using your appliance, follow basic safety precautions, including the following:

1. Read all instructions before using the appliance.
2. Read and follow the specific: "PRECAUTIONS TO AVOID POSSIBLE EXPOSURE TO EXCESSIVE MICROWAVE ENERGY" found on page 2.
3. As with most cooking appliances, close supervision is necessary to reduce the risk of a fire in the oven cavity.
4. To reduce the risk of fire in the oven cavity:
 - i). Do not over cook food. Carefully attend the appliance when paper, plastic, or other combustible materials are placed inside the oven to facilitate cooking.
 - ii). Remove wire twist-ties and metal handles from paper or plastic containers/bags before placing them in the oven.
 - iii). If materials inside the oven ignite, keep the oven door closed. Turn the oven off, and unplug the appliance. Disconnect the power cord, shut off power at the fuse or circuit breaker panel.
 - iv). Do not use the oven cavity for storage purposes. Do not leave paper products, cooking utensils, or food in the cavity when not in use.
5. This oven must be grounded. Connect only to properly grounded outlet. See "GROUNDING INSTRUCTIONS" found on page 4.

6. Install or locate this oven only in accordance with the installation instructions provided in this manual.
7. Some products, such as whole eggs, sealed containers, or closed glass jars may explode and should not be heated in the oven.
8. Use this appliance only for its intended uses as described in this manual. Do not use corrosive chemicals or vapors in this appliance. This oven is specifically designed to heat cook or dry food. It is not designed for industrial or laboratory use.
9. This appliance is not intended for use by children, however, it may be used by children with close adult supervision.
10. Do not operate this oven if it has a damaged cord or plug, if it is not working properly or if it has been damaged or dropped.
11. This appliance should be serviced only by qualified service technicians. Contact the nearest authorized service facility for examination, repair or adjustment.
12. Do not cover or block any openings on the oven.
13. Do not store or use this appliance outdoors.
14. Do not use this oven near water, for example, near a kitchen sink, in a wet basement, near a swimming pool, or similar locations.
15. Do not immerse cord or plug in water.
16. Keep cord away from heated surfaces.
17. Do not let cord hang over edge of table or counter.
18. When cleaning interior or exterior surfaces, use only mild, nonabrasive, soaps or detergents applied with a sponge or soft cloth.
19. Liquids, such as water, coffee, or tea may overheat beyond the boiling point without appearing to be boiling. Visible bubbling or boiling when the container is removed from the microwave oven is not always present. This could result in very hot liquids suddenly boiling over when the container is disturbed or a spoon, or other utensil, is inserted into the liquid.
 - i) Do not overheat the liquid.
 - ii) Stir the liquid both before and halfway through heating it.
 - iii) Do not use straight-sided containers with narrow necks.
 - iv) After heating, allow the container to stand in the microwave oven for a short time before removing the container.
 - v) Use extreme care when inserting a spoon or other utensil into the container.

GROUNDING INSTRUCTIONS

DANGER

Electric Shock Hazard

Touching some of the internal components can cause serious personal injury or death. Do not disassemble this appliance.

WARNING

Electric Shock Hazard

Improper use of the grounding can result in electric shock. Do not plug into an outlet until appliance is properly installed and grounded.

This appliance must be grounded. In the event of an electrical short circuit, grounding reduces the risk of electric shock by providing an escape wire for the electric current. This appliance is equipped with a cord having grounding wire with a grounding plug. The plug must be plugged into an outlet that is properly installed and grounded.

Consult a qualified electrician or serviceman if the grounding instructions are not completely understood or if doubt exists as to whether the appliance is properly grounded. If it is necessary to use an extension cord, use only a 3-wire extension cord that has a 3-pronged grounding plug, and a 3-slot receptacle that will accept the plug on the appliance. The marked rating of the extension cord shall be equal to or greater than the electrical rating of the appliance.

Extension Cord Instructions

1. A short power-supply cord is provided to reduce the risks resulting from becoming entangled in or tripping over a longer cord.
2. Longer cord sets or extension cords are available and may be used if care is exercised in their use.
3. If a long cord set or extension cord is used: 1) The marked electrical rating of the cord set or extension cord should be at least as great as the electrical rating of the appliance. 2) The extension cord must be a grounding-type 3-wire cord. 3) The longer cord should be arranged so that it will not drape over the countertop or tabletop where it can be pulled on by children or tripped over unintentionally.

Radio Interference

1. Operation of the microwave oven may cause interference to your radio, TV or similar equipment.
2. When there is interference, it may be reduced or eliminated by taking the following measures:
 - 1) Clean door and sealing surface of the oven
 - 2) Reorient the receiving antenna of radio or television.
 - 3) Relocate the microwave oven with respect to the receiver.
 - 4) Move the microwave oven away from the receiver.

5) Plug the microwave oven into a different outlet so that microwave oven and receiver are on different branch circuits.

CONTAINERS

CAUTION Personal Injury Hazard

Tightly-closed containers could explode. Closed containers should be opened and plastic pouches should be pierced before cooking.

See the instructions on "Materials you can use in microwave oven or to be avoided in microwave oven on page 6." There may be certain non-metallic containers that are not safe to use for microwaving. If in doubt, you can test the container in question following the procedure below.

Container Test:

1. Fill a microwave-safe container with 1 cup of cold water (250ml) along with the container in question.
2. Cook on maximum power for 1 minute.
3. Carefully feel the container. If the empty container is warm, do not use it for microwave cooking.
4. Do not exceed 1 minute cooking time.

Materials you can use in microwave oven

Containers/ Materials	Remarks
Aluminum foil	Shielding only. Small smooth pieces can be used to cover thin parts of meat or poultry to prevent overcooking. Arcing can occur if foil is too close to oven walls. The foil should be at least 1 inch (2.5cm) away from oven walls.
Browning dish	Follow manufacturer's instructions. The bottom of browning dish must be at least 3/16 inch (5mm) above the turntable. Incorrect usage may cause the turntable to break.
Dinnerware	Microwave-safe only. Follow manufacturer's instructions. Do not use cracked or chipped dishes.
Glass jars	Always remove lid. Use only to heat food until just warm. Most glass jars are not heat resistant and may break.
Glassware	Heat-resistant oven glassware only. Make sure there is no metallic trim. Do not use cracked or chipped dishes.
Oven cooking bags	Follow manufacturer's instructions. Do not close with metal tie. Make slits to allow steam to escape.
Paper plates and cups	Use for short-term cooking/warming only. Do not leave oven unattended while cooking.
Paper towels	Use to cover food for reheating and absorbing fat. Use with supervision for a short-term cooking only.
Parchment paper	Use as a cover to prevent splattering or a wrap for steaming.
Plastic	Microwave-safe only. Follow the manufacturer's instructions. Should be labeled "Microwave Safe". Some plastic containers soften, as the food inside gets hot. "Boiling bags" and tightly closed plastic bags should be slit, pierced or vented as directed by package.
Plastic wrap	Microwave-safe only. Use to cover food during cooking to retain moisture. Do not allow plastic wrap to touch food.
Thermometers	Microwave-safe only (meat and candy thermometers).
Wax paper	Use as a cover to prevent splattering and retain moisture.

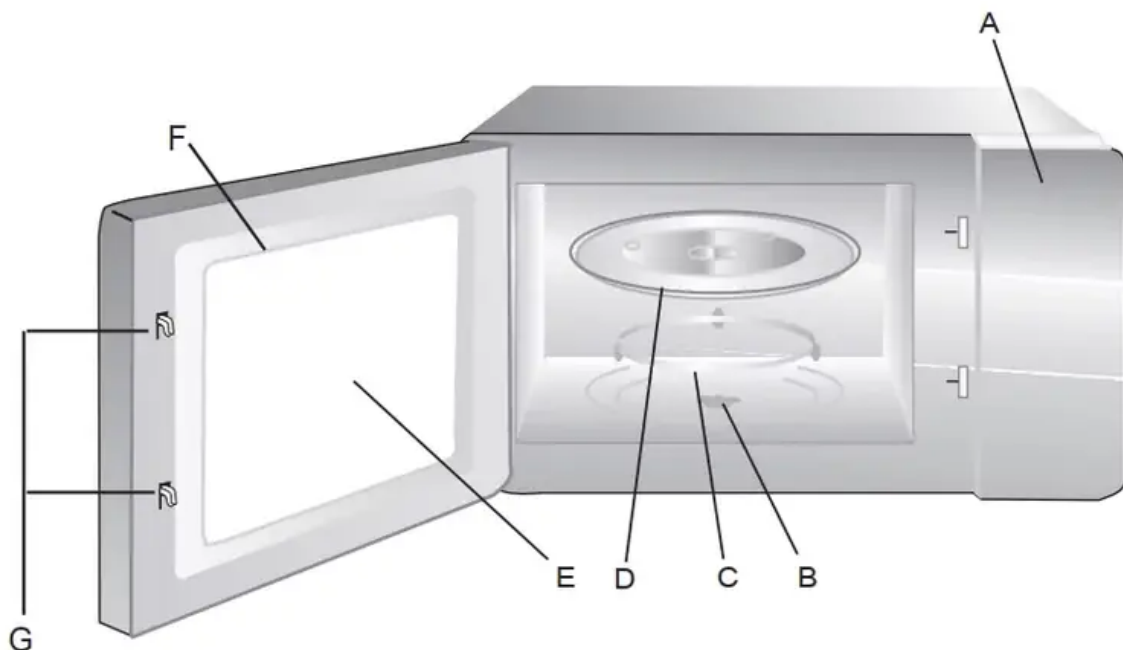
Materials to be avoided in microwave oven

Containers/ Materials	Remarks
Aluminum tray	May cause arcing. Transfer food into microwave-safe dish.
Food carton with metal handle	May cause arcing. Transfer food into microwave-safe dish.
Metal or metal-trimmed containers	Metal shields the food from microwave energy. Metal trim may cause arcing.
Metal twist ties	May cause arcing and could cause a fire in the oven.
Paper bags	May cause a fire in the oven.
Plastic foam	Plastic foam may melt or contaminate the liquid inside when exposed to high temperature.
Wood	Wood will dry out when used in the microwave oven and may split or crack.

SETTING UP YOUR OVEN

Names of Oven Parts and Accessories

Remove the oven and all materials from the carton and oven cavity.



- A) Control panel
- B) Turntable shaft
- C) Turntable ring assembly
- D) Glass tray
- E) Observation window
- F) Door assembly
- G) Safety interlock system

Turntable Installation



- a. Never place the glass tray upside down. The glass tray should never be restricted.
- b. Both glass tray and turntable ring assembly must always be used during cooking.
- c. All food and containers of food are always placed on the glass tray for cooking.
- d. If glass tray or turntable ring assembly cracks or breaks, contact your nearest authorized service center.

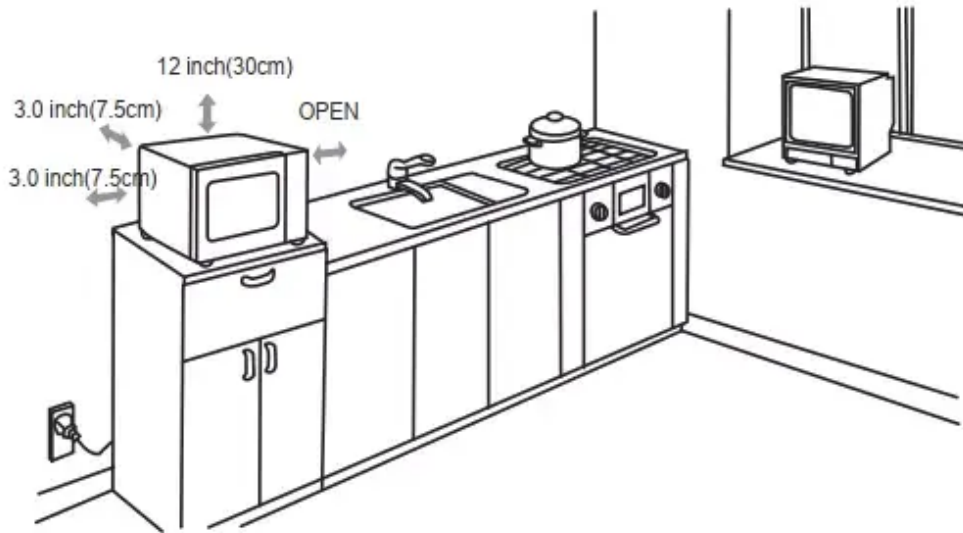
Countertop Installation

Remove all packing material and accessories. Examine the oven for any damage such as dents or broken door. Do not install if oven is damaged.

Cabinet: Remove any protective film found on the microwave oven cabinet surface. Do not remove the light brown Mica cover that is attached to the oven cavity to protect the magnetron.

Installation

1. Select a level surface that provides enough open space for the intake and/or outlet vents.

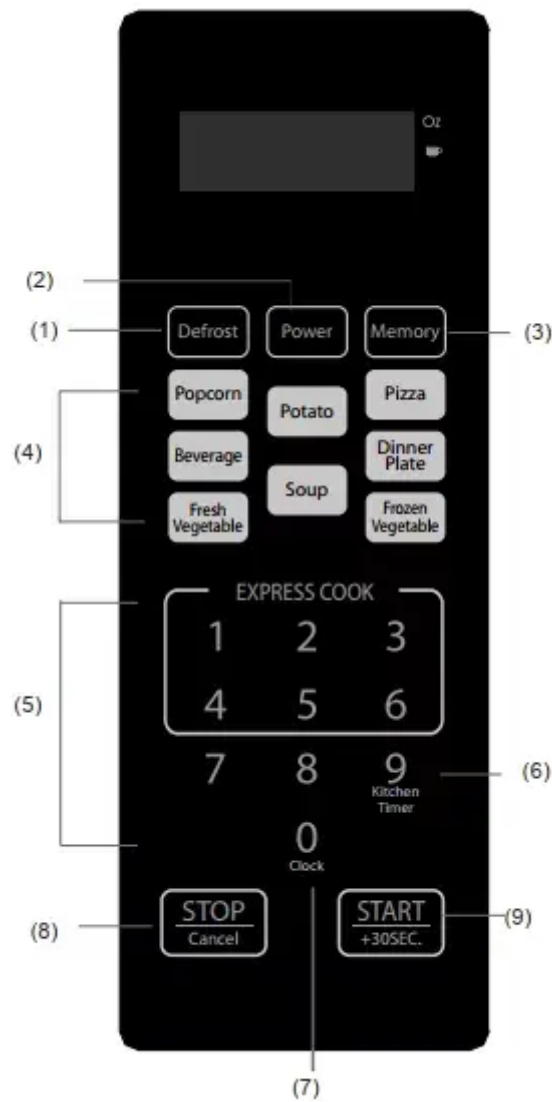


A

minimum clearance of 3.0 inches (7.5cm) is required between the oven and any adjacent walls. One side must be open.

- (1) Leave a minimum clearance of 12 inches (30cm) above the oven.
 - (2) Do not remove the legs from the bottom of the oven.
 - (3) Blocking the intake and/or outlet openings can damage the oven.
 - (4) Place the oven as far away from radios and TV as possible. Operation of microwave oven may cause interference to your radio or TV reception.
2. Plug your oven into a standard household outlet. Be sure the voltage and the frequency is the same as the voltage and the frequency on the rating label. **WARNING:** Do not install oven over a range cooktop or other heat-producing appliance. If installed near or over a heat source, the oven could be damaged and the warranty would be void.

Control Panel and Features



- 1) Defrost
- 2) Power
- 3) Memory
- 4) Auto menu: Popcorn, Potato, Pizza, Frozen vegetable, Beverage, Dinner plate, Soup, Fresh vegetable.
- 5) Number Buttons:0-9
- 6) Kitchen Timer function
- 7) Clock
- 8) Stop/Cancel: clears all previous setting pressed before cooking starts. During cooking: press once to stop oven; twice to stop and clear all entries.
- 9) Start/+30Sec.

OPERATING INSTRUCTIONS

1. Power Level

10 power levels are available.

Level	10	9	8	7	6	5	4	3	2	1
Power	100%	90%	80%	70%	60%	50%	40%	30%	20%	10%
Display	PL10	PL9	PL8	PL7	PL6	PL5	PL4	PL3	PL2	PL1

2. Clock Setting

When the microwave oven is plugged into an outlet, the oven will display "0:00"

- (1) Press "0/CLOCK", LED will display 00:00. The hour figures will flash;
- (2) Press the number keys and enter the correct time. Time input should be 1:00-12:59. For example, if the time is 10:12 now, please press "1,0,1,2".
- (3) Press "START/+30SEC." to confirm and the clock will be lit.

Note:

- (1) If time input is beyond 1:00-12:59, the setting is invalid. You cannot confirm and finish the setting by pressing "START/+30SEC."
- (2) If you want to reset the clock, please repeat Steps 1 - 3. If you forget to press "START/+30SEC", the previous clock will be displayed after one minute.

3. Kitchen Timer

- (1) Press "9/KITCHEN TIMER", LED will display 00:00, the first hour figure flashes.
- (2) Press the number keys and enter the correct time (the maximum cooking time is 99 minutes and 99 seconds).
- (3) Press "START/+30SEC." to confirm setting.
- (4) When the set time is reached, the buzzer will beep 5 times. If the clock is set, the LED will display the current time.

4. Microwave cook

- (1) Repeatedly press "POWER" to choose the microwave power you need. "PL10", "PL9", "PL8"...."PL1" will be displayed in order.
- (2) Press number keys to input the cooking time; the maximum cooking time is 99 minutes and 99 seconds.
- (3) Press "START/+30SEC." to start cooking, and the remaining cooking time will be displayed.

Note: In the process of setting, if the "STOP/Cancel" button is pressed or if there is no operation within 1 minute, the oven will go back to the former setting automatically.

Example: to cook the food with 50% microwave power for 15 minutes:

- (1) Press "POWER" six times until "PL5" displays.
- (2) Input the cooking time. Press "1","5","0","0" to set the time;
- (3) Press "START/+30SEC." to start cooking.

5. Speedy Cooking

(1) In waiting state, instant cooking at 100% power level can be started by selecting a cooking time from 1 to 6 minutes by pressing number pads 1 to 6. Press "START/+30SEC." to increase the cooking time. The maximum cooking time is 99 minutes and 99 seconds.

(2) In waiting state, instant cooking at 100% power level with 30 seconds' cooking time can be started by pressing "START/+30SEC". Each press on the same button will increase cooking time by 30 seconds. The maximum cooking time is 99 minutes and 99 seconds.

Note: during microwave cooking and time defrost, time can be added by pressing "START/30SEC." button.

6. Weight Defrost Function

- (1) Press "DEFROST" once to choose the defrost by weight function, "dEF1" is displayed;
- (2) Press numerical pads to input weight to be defrosted. Weight range should be between 4~100 oz.
- (3) If the weight input is not within 4~100 the input will be invalid. The microwave will not work until valid numbers are input.
- (4) Press "START/+30SEC." to start defrosting and the remaining cooking time will be displayed.

7. Time Defrost Function

- (1) Press "DEFROST" twice to choose defrost by time function, Screen will display "dEF2".
- (2) Press number pads to input defrosting time. The effective time range is 00:01~99:99 Note: (a) If the time input is not within 00:01~99:99 no "beep" will sound and the microwave will not work until a valid number is input. (b) The default microwave power level is 3. It cannot be changed.
- (3) Press "START/+30SEC." to start defrosting. The remaining cooking time will be displayed.

8. FRESH VEGETABLE

- a) Press "FRESH VEGETABLE" repeatedly until the number you wish appears in the display, "4.0","8.0","16.0" oz will display in order. For example, press "FRESH VEGETABLE" once, "4.0" appears.
- b) Press "START/+30 SEC." to cook, buzzer sounds once. When cooking finishes, buzzer sounds five times and then turn back to waiting state.

9. POPCORN

- a) Press "POPCORN" repeatedly until the number you wish appears in the display, "1.75", "3.0", "3.5" Oz will display in order. For example, press "POPCORN" once, "1.75" appears.
- b) Press "START/+30 SEC." to cook, buzzer sounds once. When cooking finishes, buzzer sounds five times and then turn back to waiting state.

Note: The size of this oven is ideal for microwave popcorn bags below 3.0 ounces. If you select a larger bag, we recommend that you fold the edges of the bag in to improve the ability of the bag to rotate as it expands while cooking. If the bag does get stuck, stop the cooking process, open the oven door, and adjust the bag to ensure even cooking.

10. POTATO

- a) Press "POTATO" repeatedly until the number you wish appears in the display, "1", "2", "3" will display in order.

"1" SET : 1 potato (approximate 8.0 Oz)

"2" SETS: 2 potatoes (approximate 16.0 Oz)

"3" SETS: 3 potatoes (approximate 24.0 Oz)

For example, press "POTATO" once, "1" appears.

- b) Press "START/+30 SEC." to cook, buzzer sounds once. When cooking finishes, buzzer sounds five times and then turn back to waiting state.

11. FROZEN VEGETABLE

- a) Press "FROZEN VEGETABLE" repeatedly until the number you wish appears in the display, "4.0", "8.0", "16.0" oz will display in order. For example, press "FROZEN VEGETABLE" once, "4.0" appears.
- b) Press "START/+30 SEC." to cook, buzzer sounds once. When cooking finishes, buzzer sounds five times and then turn back to waiting state.

12. BEVERAGE

- a) Press "BEVERAGE" repeatedly until the number you wish appears in the display, "1", "2", "3" cup will display in order. One cup is about 120ml. For example, press "BEVERAGE" once, "1" appears.
- b) Press "START/+30 SEC." to cook, buzzer sounds once. When cooking finishes, buzzer sounds five times and then turn back to waiting state.

13. SOUP

- a) Press "SOUP" repeatedly until the number you wish appears in the display, "4.0", "8.0", "12.0", "16.0" oz will display in order. For example, press "SOUP" once, "4.0" appears.

b) Press "START/+30 SEC." to cook, buzzer sounds once. When cooking finishes, buzzer sounds five times and then turn back to waiting state.

14. DINNER PLATE

a) Press " DINNER PLATE " repeatedly until the number you wish appears in the display, "9.0", "12.0", "18.0" oz will display in order. For example, press "DINNER PLATE" once, "9.0" appears.

b) Press " START/+30 SEC." to cook, buzzer sounds once. When cooking finishes, buzzer sounds five times and then turn back to waiting state.

15. PIZZA

a) Press "PIZZA " repeatedly until the number you wish appears in the display, "1", "2", "3" will display in order. For example, press "PIZZA" once, "1" appears.

b) Press "START/+30 SEC." to cook, buzzer sounds once. When cooking finishes, buzzer sounds five times and then turn back to waiting state.

16. MEMORY FUNCTION

(1) Press "MEMORY" to choose the memory setting 1-3 function. The LED will display 1,2,3.

(2) If the setting has been programmed, press "START/+30 SEC." to use. If not, continue to choose the setting. Only one or two stages can be set.

(3) After finishing the setting, press "MEMORY" once to save the setting. Press "START/+30 SEC." again, it will start cooking.

Note: Auto menu cooking cannot be set as memory function.

Example: To program the following setting as the second memory to cook food with 80% microwave power for 3 minutes and 20 seconds.

The steps are as follows:

1. Press "MEMORY" twice, stop pressing when the screen displays "2".
2. Press "POWER" three times until "PL8" displays.
3. Press number keys "3", "2", "0" in order to input the cooking time.
4. Press "MEMORY" to save the setting. The buzzer will sound once then turn back to waiting state. If you press "START/+30SEC." after the above step, the procedure will be saved as the memory 2 and will start cooking.
5. If the electricity is not cut off, the procedure will be saved. If power is lost, the setting will need to be reprogrammed.
6. If you want to run the saved setting, in waiting state, press "MEMORY" twice, screen displays "2", then press "START/+30SEC." to run.

17. MULTI-STAGE COOKING

A maximum of 2 stages can be set for cooking. In multi-stage cooking, if one stage is defrosting, then defrosting will automatically default to the first stage. Note: Auto cooking will not work in multi-stage cooking.

Example: To defrost 20 oz. of beef first and then cook with 80% microwave power for 7 minutes.

1. Press "DEFROST" once to choose defrost by weight function, "dEF1" displays;
2. Press "2","0" in sequence to set weight;
3. Press "POWER" three times to 80% microwave power;
4. Press "7","0","0" in sequence to set cooking time;
5. Press "START/+30 SEC.." to start cooking.


When defrosting is finished, the buzzer sounds once, then the second stage begins. Note: (1) Auto menu can't be set as one of the 2 stages. (2) Defrost by time can be set as the one of stages.

18. INQUIRING FUNCTION

(1) In cooking or multi-stage cooking states, press "0/CLOCK", the LED will display clock for three seconds if the clock has been set.

(2) In the microwave cooking state, press "POWER" to inquire microwave power level, and the current microwave power will be displayed. After three seconds, the oven will turn back to the previous state.

19. LOCK FUNCTION FOR CHILDREN

Lock: In waiting state, press "STOP/CANCEL" for 3 seconds, there will be a long "beep" denoting the entering into the children-lock state; meanwhile, LED will display .

Lock quitting: In locked state, press "STOP/CANCEL" for 3 seconds, there will be a long "beep" denoting that lock is released.

20. COOKING END REMINDING FUNCTION

When the cooking is over, the buzzer will sound 5 "beep" to alert user the cooking is finished.

21. OTHER SPECIFICATIONS

(1) In standby state, if the set clock digital tube displays current time, the icon " : " would flash; otherwise, it shows " 0:00 ".

(2) In setting function state, LED displays corresponding setting.

(3) In working or pause state, LED displays surplus cooking time.

Troubleshooting

Check your problem by referencing the chart below and trying the solutions for each problem. If the microwave oven still does not work properly, contact the nearest authorized service center.

TROUBLE	POSSIBLE CAUSE	POSSIBLE REMEDY
Oven will not start	<ul style="list-style-type: none"> a. Electrical cord for oven is not plugged in. b. Door is open. c. Wrong operation is set. 	<ul style="list-style-type: none"> a. Plug into the outlet. b. Close the door and try again. c. Check instructions.
Arcing or sparking	<ul style="list-style-type: none"> a. Materials to be avoided in microwave oven were used. See page 6. b. The oven is operated when empty. c. Spilled food remains in the cavity. 	<ul style="list-style-type: none"> a. Use microwave-safe cookware only. b. Do not operate with oven empty. c. Clean cavity with wet towel.
Unevenly cooked foods	<ul style="list-style-type: none"> a. Materials to be avoided in microwave oven were used. See page 6. b. Food is not defrosted completely. c. Cooking time, power level is not suitable. d. Food is not turned or stirred. 	<ul style="list-style-type: none"> a. Use microwave-safe cookware only. b. Completely defrost food. c. Use correct cooking time, power level. d. Turn or stir food.
Overcooked foods	Cooking time, power level is not suitable.	Use correct cooking time, power level.
Undercooked foods	<ul style="list-style-type: none"> a. Materials to be avoided in microwave oven were used. See page 6. b. Food is not defrosted completely. c. Oven ventilation ports are restricted. d. Cooking time, power level is not suitable. 	<ul style="list-style-type: none"> a. Use microwave-safe cookware only. b. Completely defrost food. c. Check to see that oven ventilation ports are not restricted. d. Use correct cooking time, power level.
Improper defrosting	<ul style="list-style-type: none"> a. Materials to be avoided in microwave oven were used. See page 6. b. Cooking time, power level is not suitable. c. Food is not turned or stirred. 	<ul style="list-style-type: none"> a. Use microwave-safe cookware only. b. Use correct cooking time, power level. c. Turn or stir food.

LIMITED WARRANTY

1. This warranty does not cover damages resulting from accident, misuse or abuse, lack of reasonable care, the affixing of any attachments not provided with the product, loss of parts, or subjecting the appliance to any but the specified voltage. (Read directions carefully.)
2. This warranty is void if this product is ever used for other than private household purposes.
3. This warranty is void if this product is ever used outside of United States.

If service is required during the warranty period, properly pack your unit. We recommend using the original carton and packing materials. If additional assistance is needed, please contact customer assistance at:

800-842-1289

Midea America Corp 5

Sylvan Way, Parsippany, NJ 07054

Midea America Corp. expressly disclaims all responsibility for consequential damages or incidental losses caused by use of the appliance. Some states do not allow this exclusion or limitation of incidental or consequential losses so the foregoing disclaimer may not apply to you. This warranty gives you specific legal rights, and you may also have other rights which may vary from state to state.

The serial number can be found on the back cabinet. We suggest that you record the serial number of your unit in the space below for future reference

Model Number:

Serial Number:

SAVE THIS FOR YOUR RECORDS

Black+Decker is a registered trademarks of The Black & Decker Corporation, or one of its affiliates, and used under license.

Warning

This content is compiled from multiple sources and is provided for reference purposes only. It may not be complete or fully applicable to all situations. If you are unable to resolve your issue, please contact the product manufacturer or an authorized service provider for official support.