

Please Read and Save this Use and Care Book.

Belgian Waffle Maker models WMB500, WMB505.

USA/Canada 1-800-231-9786; Mexico 01-800-714-2503

www.blackanddecker.com

IMPORTANT SAFEGUARDS

When using electrical appliances, basic safety precautions should always be followed, including the following:

- Read all instructions.
- Do not touch hot surfaces. Use handles or knobs.
- To protect against electrical hazards, do not immerse cord, plug, or the appliance in water or other liquid.
- Close supervision is necessary when any appliance is used by or near children.
- Unplug from outlet when not in use and before cleaning. Let it cool before putting on or taking off parts and before cleaning.
- Do not operate any appliance with a damaged cord or plug or after the appliance malfunctions or is dropped or damaged in any manner. Return the appliance to the nearest authorized service facility for examination, repair, or electrical or mechanical adjustment. Or, call the appropriate toll-free number listed on the cover of this manual.
- The use of accessory attachments not recommended by the appliance manufacturer may cause injuries.
- Do not use outdoors.
- Do not let the cord hang over the edge of table or counter, or touch hot surfaces.
- Do not place on or near a hot gas or electric burner or in a heated oven.
- Always attach plug to appliance first then plug cord in the wall outlet. To disconnect, turn any control to "off", then remove plug from the outlet.
- Do not use the appliance for other than its intended use.

SAVE THESE INSTRUCTIONS

POLARIZED PLUG.

This appliance has a polarized plug (one blade is wider than the other). To reduce the risk of electric shock, this plug is intended to fit into a polarized outlet only one way. If the plug does not fit fully into the outlet, reverse the plug. If it still does not fit, contact a qualified electrician. Do not attempt to modify the plug in any way.

ELECTRICAL CORD.

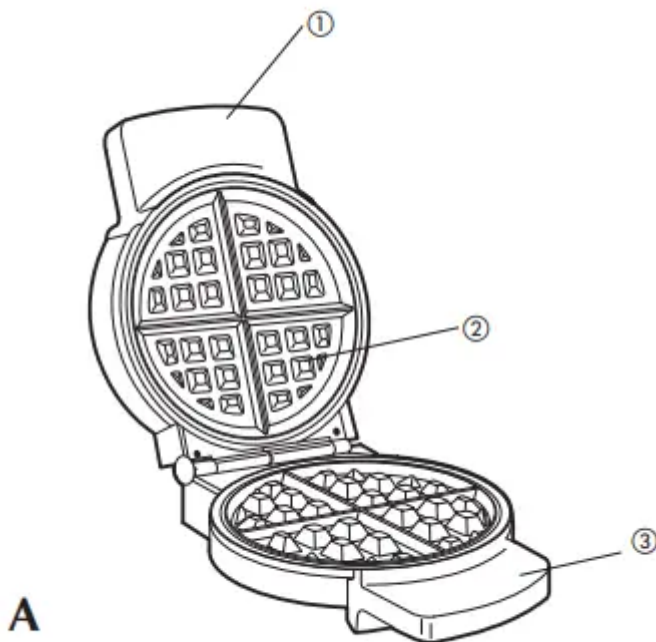
The cord of this appliance was selected to reduce the possibility of tangling in or tripping over a longer cord.

If more length is needed, use an extension cord rated no less than 15-amperes. (For 220 volts rated products, use an extension cord rated no less than 6-amperes). When using an extension cord, do not let it drape over the working area or dangle where someone could accidentally trip over it. Handle cord carefully for longer life; avoid jerking or straining it at outlet and appliance connections.

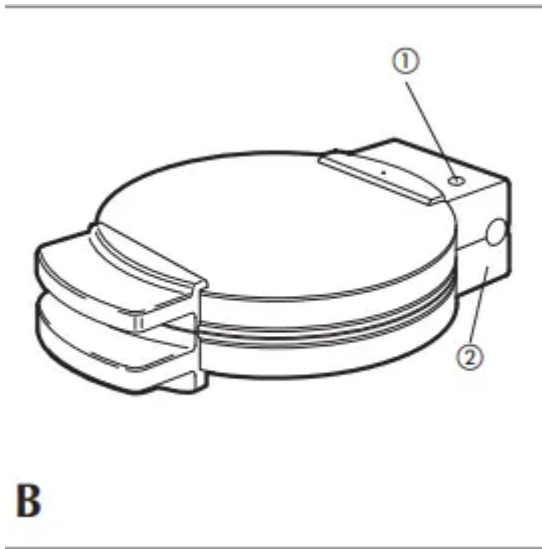
TAMPER-RESISTANT SCREW.

Warning : This appliance is equipped with a tamper resistant screw to prevent removal of the outer cover. To reduce the risk of fire or electric shock, do not attempt to remove the outer cover. There are no user-serviceable parts inside. Repair should be done only by authorized service personnel.

Note: If the power supply cord is damaged, it should be replaced by qualified personnel or in Latin America by an authorized service center.



1. Heat-resistant handle
2. Non-stick cooking surfaces
3. Heat-resistant handle



1. Ready light
2. Cord wrap & storage stand

How to Use.

This appliance is for household use only.

GETTING STARTED.

1. Open the unit by lifting the handle (A).

IMPORTANT: Condition the non-stick cooking surfaces with a light coating of cooking oil before first use. Do not use non-stick cooking spray. Brush the oil onto the cooking surfaces or wipe on with a paper towel. Be sure to coat the cooking surfaces. Wipe off excess oil with paper towels. The first waffle will absorb any excess oil and may have a greasy, blotchy appearance. Discard it. Subsequent waffles will be much better.

2. After conditioning, allow to cool. Clean the cooking surfaces as instructed in "Care and Cleaning".

BAKING WAFFLES.

1. Before preheating for first use, condition both the upper and lower cooking surfaces (See. "IMPORTANT" under "GETTING STARTED").
2. Close the lid and plug the cord into a standard electrical outlet. The ready light (B) will come on to indicate the unit is heating. When the ready light goes out (after about 5 minutes), the unit is ready.
3. Open the unit and pour about 2/3 cup (160 ml) of batter onto the lower cooking surface. Don't pour too much as excess batter will seep out over the edges. Spread the batter toward the edges using a rubber spatula for even waffles.

4. Close the lid, but don't force it shut. The hinge is designed to be loose to allow the waffle to rise evenly and for steam to escape. Keep hands away from the unit as steam may escape when baking.

The ready light will come on. Cooking time is 4-5 minutes depending on the type of batter/ ingredients. You may notice moisture on the sides or near the handle. This is normal. Avoid opening the unit during baking as this may cause the waffle to stick or bake poorly.

5. The ready light will go out when the waffle is done. You may cook it longer for a crispier waffle.

Open the top and carefully remove the waffle using a fork. Be careful not to scratch the non-stick finish. Should sticking occur, lightly re-oil the cooking surfaces. Keep the lid closed between cooking batches of waffles to preserve heat.

6. When all waffles are baked, unplug the cord, open the unit, and allow it to cool before cleaning.

HELPFUL HINTS.

1. Waffle batter can be added any time the ready light is out. It is not necessary to pour the batter immediately after the light goes out.

2. Baked waffles freeze well. Cool the waffles, place paper towels between them, wrap waffles in plastic wrap or freezer bags, and freeze.

3. Packaged pancake mix or baking mix work well with this product.

Care and Cleaning.

This product contains no user serviceable parts. Refer service to qualified service personnel.

CLEANING.

1. Be sure the unit is unplugged and completely COOL before cleaning. Wipe the cooking surfaces with a damp sponge or cloth. DO NOT IMMERSER THE UNIT nor run water directly onto the cooking surface.

2. Do not use steel wool or other abrasive cleaners on the cooking surfaces as they may damage the non-stick coating. To remove cooked-on food, use a plastic bristle brush or nylon mesh pad. Be sure to clean the handles after each use.

3. Clean the outside surfaces by wiping with a damp or soapy sponge or cloth. Dry thoroughly with a soft cloth. Do not use harsh or abrasive cleaners that may scratch or mar the exterior surfaces. Never spray or apply cleaners directly to the waffle maker; instead, apply the cleaner to a cloth and rub on.

STORAGE.

Wrap the cord around the cord wrap (B) and stand the unit up on a shelf, counter, or in a cabinet.

NEED HELP

For service, repair or any questions regarding your appliance, call the appropriate "800" number on the cover of this book. Do not return the product to the place of purchase. Do not mail the product back to the manufacturer nor bring it to a service center. You may also want to consult the website listed on the cover of this manual.

One-Year Limited Warranty.

(Applies only in the United States and Canada)

What does it cover?

Any defect in material or workmanship; provided; however, Applica's • liability will not exceed the purchase price of the product.

For how long?

One year after the date of original purchase.

What will we do to help you?

Provide you with a reasonably similar replacement product that is • either new or factory refurbished.

How do you get service?

Save your receipt as proof of the date of sale.

Check our on-line service site at www.prodprotect.com/applica or call our toll-free number, 1-800-231-9786, for general warranty service.

If you need parts or accessories, please call 1-800-738-0245.

What does your warranty not cover?

Damage from commercial use

Damage from misuse, abuse or neglect

Products that have been modified in any way

Products used or serviced outside the country of purchase

Glass parts and other accessory items that are packed with the unit

Shipping and handling costs associated with the replacement of the unit.

Consequential or incidental damages (Please note, however, that some states do not allow the exclusion or limitation of consequential or incidental damages, so this limitation may not apply to you.)

How does state law relate to this warranty?

This warranty gives you specific legal rights, and you may also have • other rights that vary from state to state or province to province.

Specifications

650 W 120 V 60Hz

Warning

This content is compiled from multiple sources and is provided for reference purposes only. It may not be complete or fully applicable to all situations. If you are unable to resolve your issue, please contact the product manufacturer or an authorized service provider for official support.

Document generated by [ManualsFile](#)