

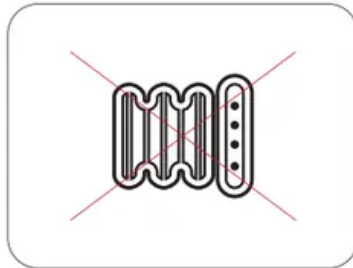
For model: TPVC001

Important Safety Instructions

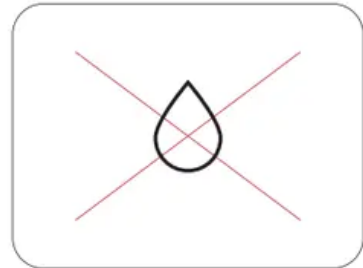
This appliance is intended for household use only.



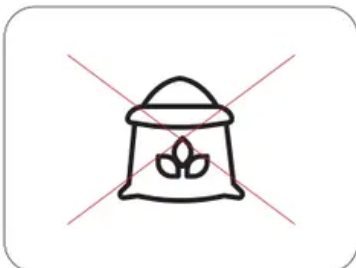
DO NOT use near naked flames.



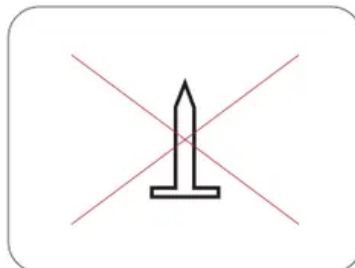
DO NOT store near heat sources.



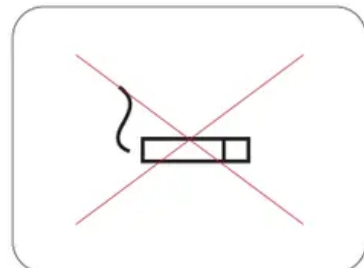
DO NOT pick up water or liquids.



DO NOT pick up lime or large amount of flour.



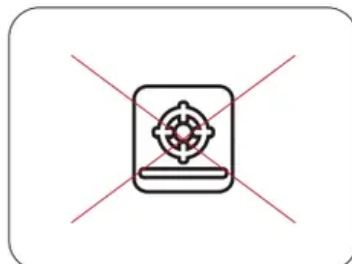
DO NOT pick up sharp objects such as nails.



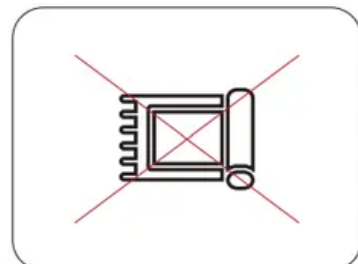
DO NOT pick up burning objects.



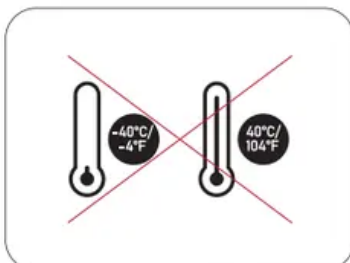
DO NOT put hands near the brush bar when the appliance is in use.



DO NOT place on or near a cooker.



DO NOT use on long haired carpet (**Max hair length 15mm**), this vacuum cleaner is suitable for hard floor and Wilton carpet.



DO NOT use in the environment temperature below $-20^{\circ}\text{C}/-4^{\circ}\text{F}$ and above $40^{\circ}\text{C}/104^{\circ}\text{F}$.



For the purpose of safety transportation, the new battery will only retain about 30% of the power. Fully charge the battery before using it.



Do not disassemble the battery pack without authorization to avoid short-circuiting the battery and causing a fire.

BEFORE USING THIS APPLIANCE READ ALL INSTRUCTIONS AND CAUTIONARY MARKINGS IN THE USER MANUAL AND ON THE APPLIANCE.

When using electrical appliances, basic precautions should always be followed to reduce the risk of fire, electric shock, and injury to persons, including the following

WARNING

+ These warnings apply to the appliance, and also where applicable, to all tools, accessories, chargers or mains adapters.

+ This appliance can be used by children aged from 8 years and above and persons with reduced physical, sensory or reasoning capabilities or lack of experience and knowledge, only if they have been given supervision or instruction by a responsible person concerning use of the appliance in a safe way and understand the hazards involved. Cleaning and user maintenance should not be performed by children without supervision.

+ DO NOT allow to be used as a toy. Close attention is necessary when used by or near children. Children should be supervised to ensure that they DO NOT play with the appliance.

+ Use only as described in this User Guide. DO NOT carry out any maintenance other than that shown in the manual or advised by the Toppin Support.

+ Suitable for dry locations ONLY. DO NOT use outdoors or on wet surfaces.

+ DO NOT handle any part of the charger or appliance with wet hands.

+ DO NOT use with a damaged charger or cable.

+ If the appliance is not working as it should if it has received a sharp blow, it has been dropped, damaged, let outdoors, or dropped into water, DO NOT use and contact the Toppin Support.

+ DO NOT disassemble the appliance as incorrect reassembly may result in an electric shock or fire. Contact the Toppin Support when a service or repair is required.

+ DO NOT stretch the cable or place the cable under strain. Keep the cable away from heated surfaces.

+ DO NOT close a door on the cable or pull the cable around sharp edges or corners. Arrange the cable away from traffic areas and where it will not be stepped on or tripped over.

+ DO NOT run over the cable.

+ DO NOT use to pick up water.

+ DO NOT use to pick up flammable or combustible liquids, such as petrol, or use in areas where they or their vapors may be present.

+ DO NOT pick up anything that is burning or smoking, such as cigarettes, matches, or hot ashes.

- + Keep hair, loose clothing, fingers, and all parts of the body away from openings and moving parts, such as the brush bar. Do NOT point the hose, wand or tools at your eyes or ears or put them in your mouth.
- + DO NOT put any object into any openings. DO NOT use with any openings blocked: keep free of dust, lint, hair and anything that may reduce airflow.
- + Use only the included/recommended accessories and replacement parts.
- + DO NOT use without the clear bin and filter(s) in place.
- + Unplug the charger when not in use for extended periods of time
- + Use extra care when cleaning on stair.
- + To prevent unintentional starting, be careful to keep your hands and fingers away from the power trigger until you are ready to begin vacuuming, especially when picking up or carrying the appliance. Carrying the appliance with your finger on the power trigger invites accidents.
- + DO NOT install, charge or use this appliance outdoors, in a bathroom or within 3 meters (10 feet) of a pool.
- + DO NOT use on wet surfaces and DO NOT expose to moisture, rain or snow.
- + When removing or replacing a motorized brush bar, be careful not to pull the power trigger until the cleaner head has been reassembled.
- + DO NOT use a battery or appliance that is damaged or modified. Damaged or modified batteries may exhibit unpredictable behavior resulting in fire, explosion or risk of injury. The battery used in this appliance may present a risk of fire or chemical burn if mistreated. DO NOT disassemble or short-circuit the battery's supply terminals. DO NOT expose the battery or appliance to fire or excessive temperatures. Exposure to fire or temperatures above 60°C (140°F) may cause explosion.
- + Use only the charger included for charging this appliance. Use only the battery installed for this appliance. Other types of batteries may explode, causing damage and injury to persons.
- + Disconnect the battery from the appliance before cleaning, maintaining or storing the appliance for extended periods of time.
- + When the battery is not in use, keep it away from other metal objects, like paper clips, coins, keys, nails, screws or other small metal objects, that can make a connection from one terminal to another. Shorting the battery terminals together may cause burns or a fire.
- + The battery should be removed from the appliance and safely disposed of in accordance with local ordinances or regulations.
- + The battery is a sealed unit and under normal circumstances poses no safety concerns. In the unlikely event that liquid leaks from the battery, DO NOT touch the liquid as it may cause irritation or burns, and observe the following precautions:

++ Skin contact - can cause irritation. Wash with soap and water:

++ Inhalation ~ can cause respiratory irritation. Expose to fresh air and seek medical advice.

++ Eye contact - can cause irritation Immediately flush eyes thoroughly with water for at least 15 minutes. Seek medical attention.

Disposal - wear gloves to handle the battery and dispose of immediately. following local ordinances or regulations.

+ Follow all charging and battery instructions and refer to the Charging the Battery' section on Page 7. 10.

NOT charge the battery or the appliance outside of the temperature range specified. Charging improperly or at a temperature outside of the specified range may damage the battery and increase the risk of fire.

+ FIRE WARNING ~ DO NOT place this appliance on or near cooker or any other hot surface and DO NOT incinerate this appliance even if it is severely damaged. The battery might catch fire or explode.

+ FIRE WARNING - DO NOT apply any fragrance or scented product to the filters of this appliance

+ The chemicals in such products are known to be flammable and can cause the appliance to catch fire.

+ Before cleaning please disconnect. wipe with dry or damp cloth. DO NOT use cleaning agent including alcohol. to protect the shell.

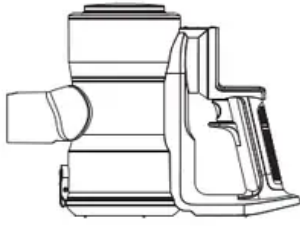
+ The vacuum cannot hold upright itself. Please place it onto the wall mount in case of falling of [DO NOT immerse the device into water, or place or use it outdoors

PRODUCT FEATURES

Thanks for purchasing the Toppin Cordless Vacuum Cleaner!

We love to clean. and we're excited to share one of our innovative products with you. We want to make sure your vacuum works well every time, so this guide has tips on using (pages 4~7), maintaining (pages 8-9), and if there is a problem, troubleshooting (page 1).

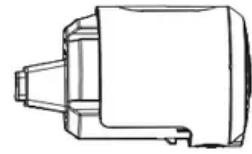
WHAT'S IN THE BOX



Main Body x 1



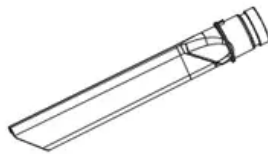
Metal Wand x 1



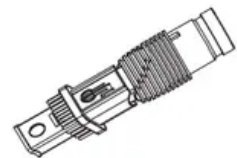
Battery part x 1



Motorized Floor Nozzle x 1



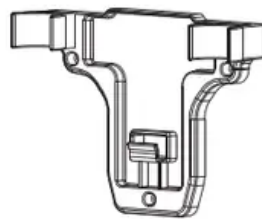
Crevice tool x 1



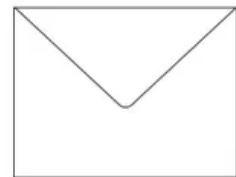
2-in-1 Brush x 1



Power Adapter x 1

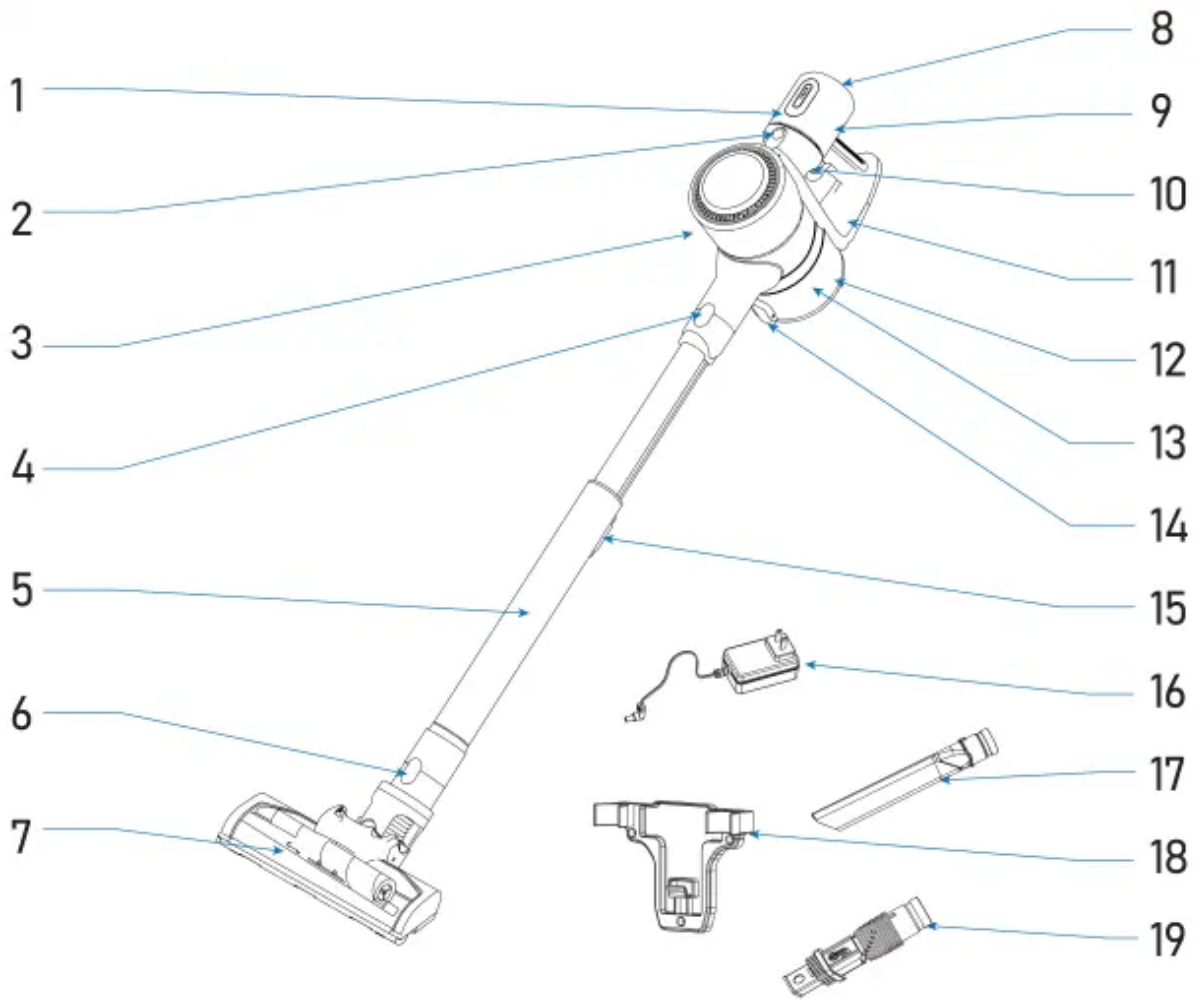


Wall Mount Installation Kit x 1



User Guide Kit x 1

PRODUCT DIAGRAM



- 1. Power Indicator
- 2. Bin Release Button
- 3. Motor Part
- 4. Wand Release Button
- 5. Wand
- 6. Brush Release Button
- 7. Motorized Floor Nozzle
- 8. Motor Button
- 9. Battery Part
- 10. Power Button
- 11. Main Body with Handle
- 12. Dust Bin
- 13. Bin Max Mark
- 14. Empty Button
- 15. Wand Slide Switch
- 16. Power Adapter



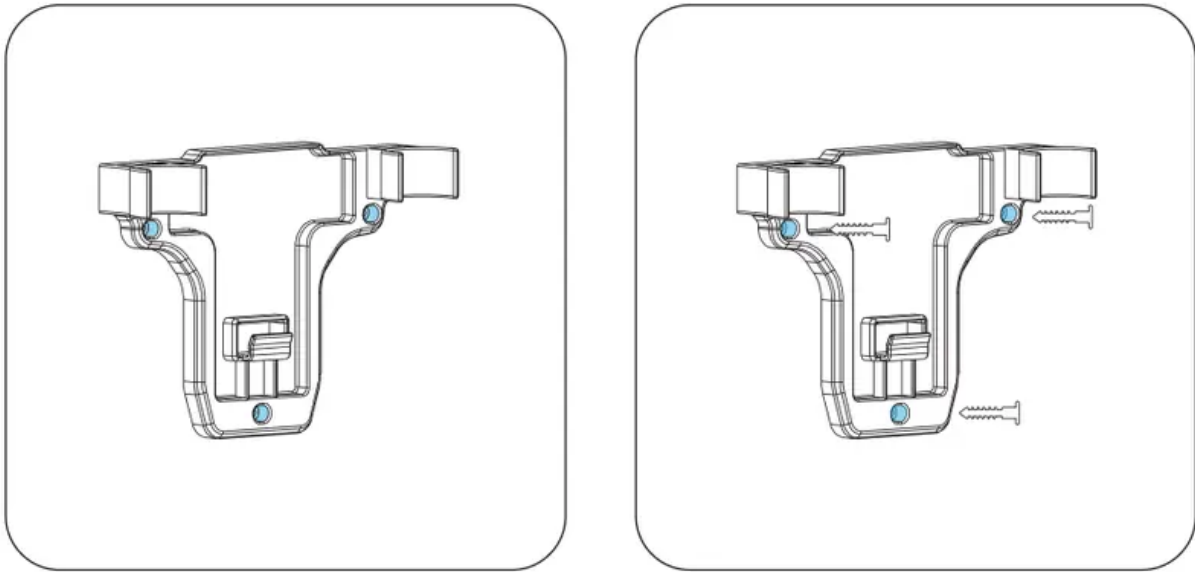
17. Crevice Tool

18. Wall Mount 19.2-in-1 Brush

OPERATIONS & FUNCTION

Wall Mount Installation

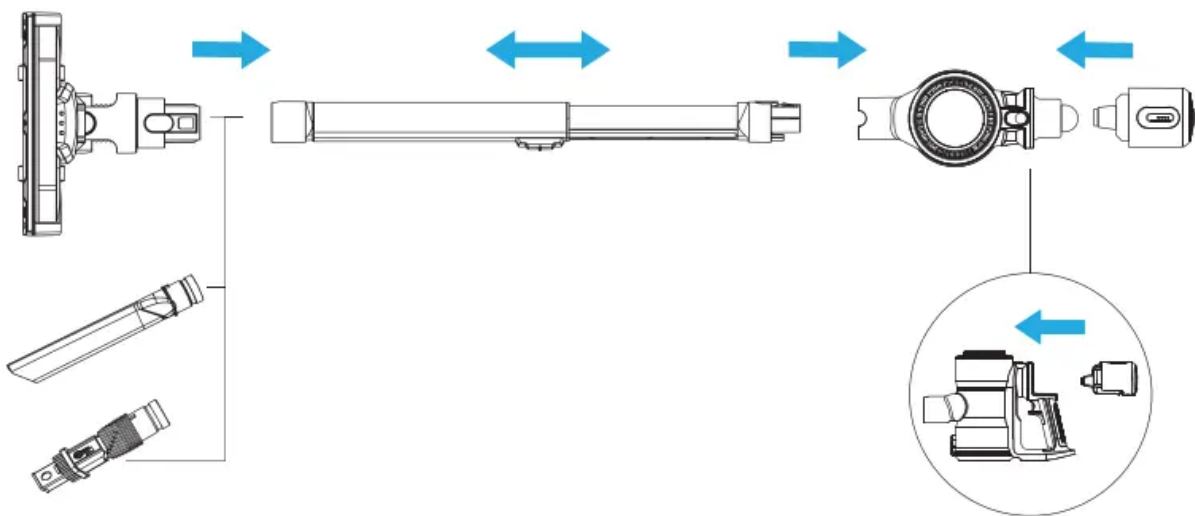
Draw by the hole of the mount on the wall, drill the holes based on the drawing, and insert the screws through the mount into the wall to fasten the wall mount.



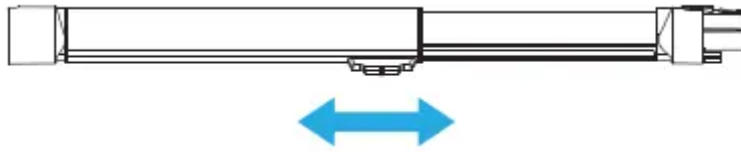
Main Body Assembly

Assemble the dust bin and main body.

Connect one end of the wand and the brush roll, the other end and main body. Push firmly and they will click into place.



Adjusting the Wand Length



Slide the switch to adjust the wand length as desired.

Using as Upright Vacuum

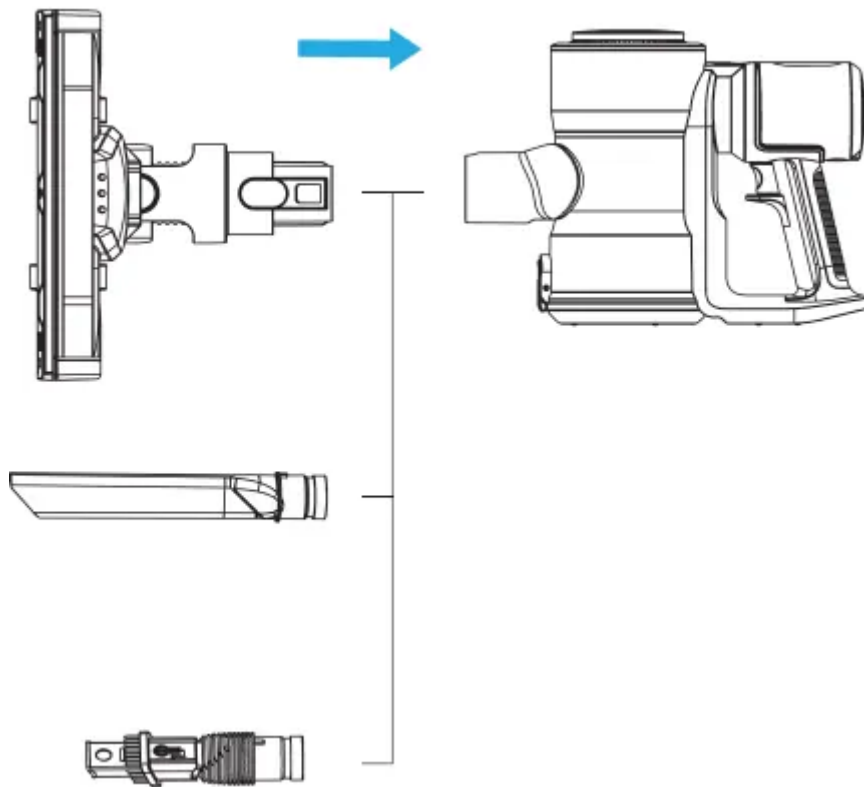
- Press the Power button to turn it on and the Power indicator will stay solid blue.
- Press the Motor button to switch to High and Low level.
- Press the Power button to turn it off.

Note:

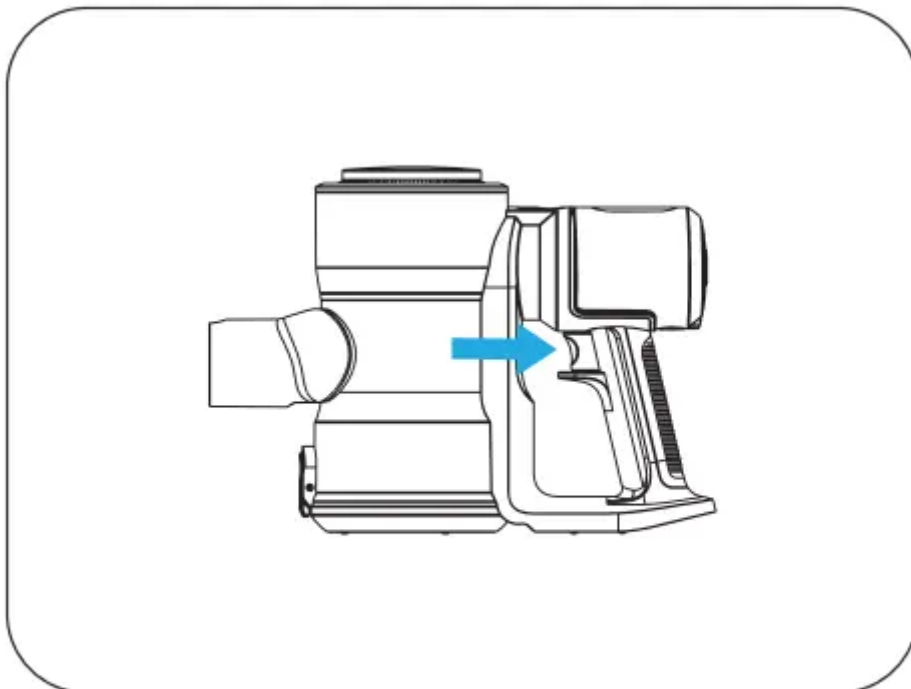
- When in operation, the Brush Roll LED will light up to shine the surface.
- Do not leave the Motor Brush Roll in one place on delicate floors.
- The Motor Brush Roll is protected from overcurrent. If there's a tangling or the motor is stuck, the temperature control inbuilt will disconnect the motor from power, so it'll stop rolling. Please power off the vacuum to check and clear the tangling in this situation and start operation after the motor cools down.

Using as Handheld Vacuum

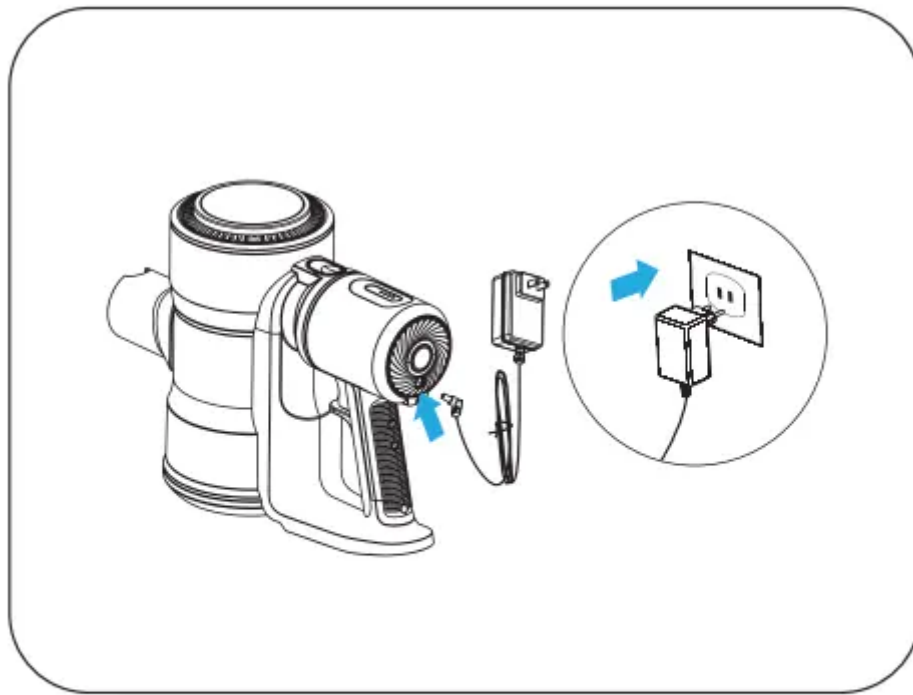
Assemble the Floor Nozzle Attachment.



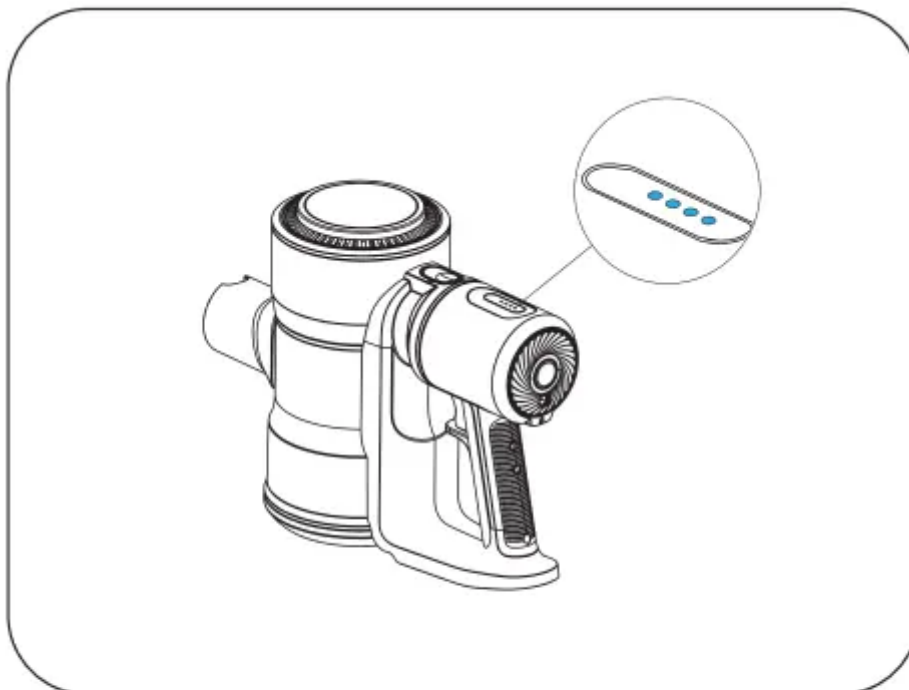
Charging the Battery



1. Power off the vacuum.



2. Connect the battery with the adapter and plug on.



3. The blue indicator will flash during charging and will stay solid when charging completed.

Note:

- DO NOT power on when charging the battery.
- ONLY use the battery and power adapter from Toppin.
- ONLY use the battery for the vacuum. DO NOT use for other purposes.
- You can also push the Battery Release button to remove the battery for the charging.
- It's recommended to fully charge and discharge the battery ever 3 months, if the product is not in use for a long time.

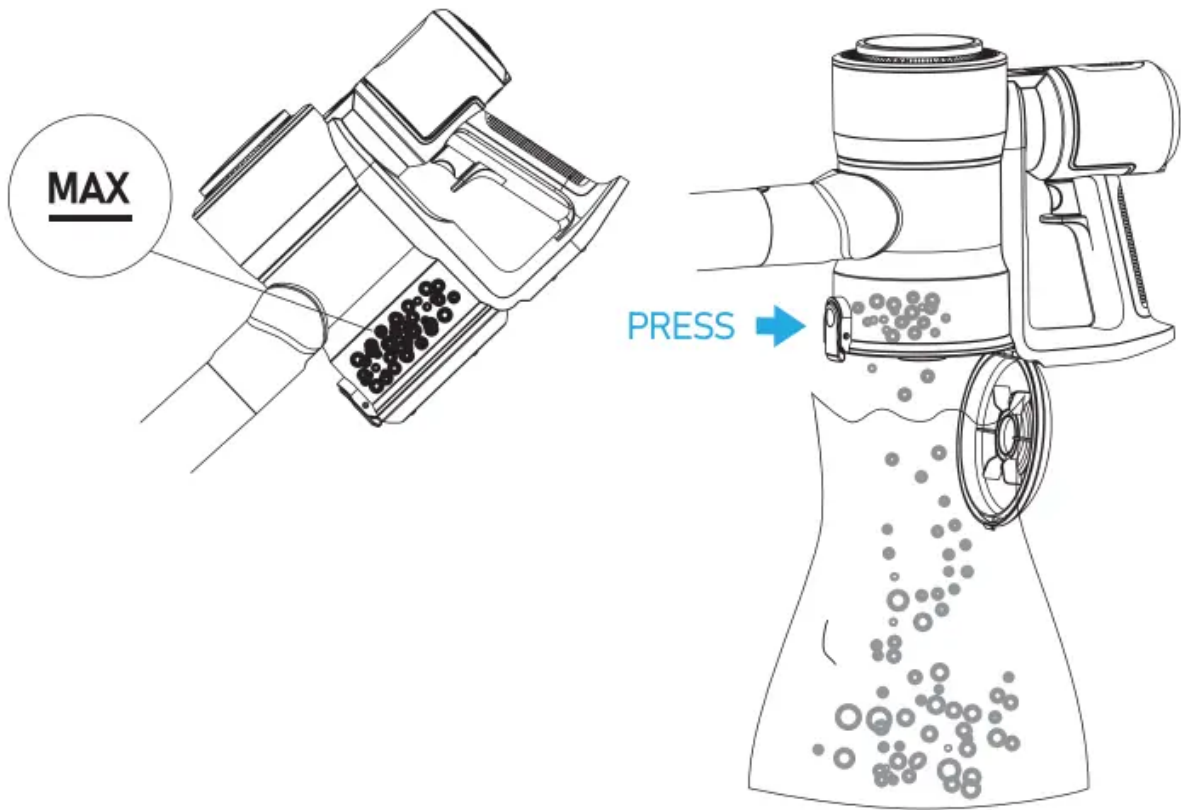
CLEANING AND CARE

General Maintenance

- Do not carry out any maintenance or repair work other than that shown and described in this User Guide or advised by the Toppin Support.
- Only use parts recommended by Toppin. If you do not this may invalidate your warranty.
- Store the machine indoors. Do not use or store it below 37.4°F (3°C). Ensure the machine is at room temperature before operating.
- Clean the machine only with a dry cloth. Do not use any lubricants, cleaning agents, polishes or air fresheners on any part of the machine.
- If used in a garage, always wipe the base plate and ball with a dry cloth after vacuuming to clean off any sand, dirt, or pebbles that could damage delicate floors.
- Refit all parts securely before using.

Emptying the Bin

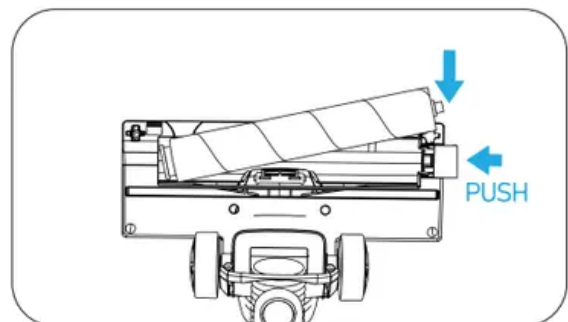
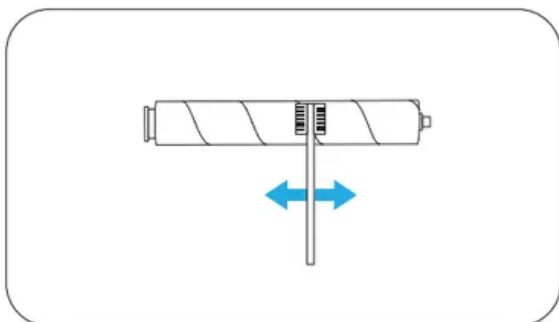
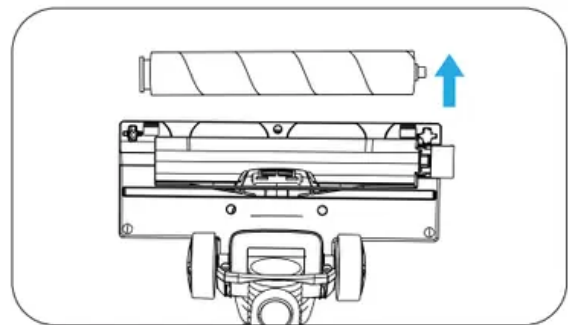
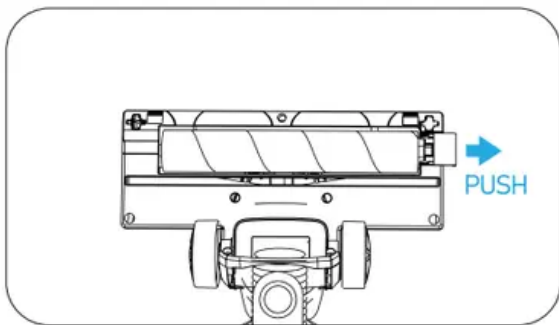
1. Empty the Dust Bin when the dust reaches the Max mark.
2. Hold the Dust Bin, press the Empty button, shake gently to empty the Dust Bin.
3. Close back the Dust Bin cover, press to click into place.
- 4 Reassemble the Dust Bin and main body for further operation.



Note:

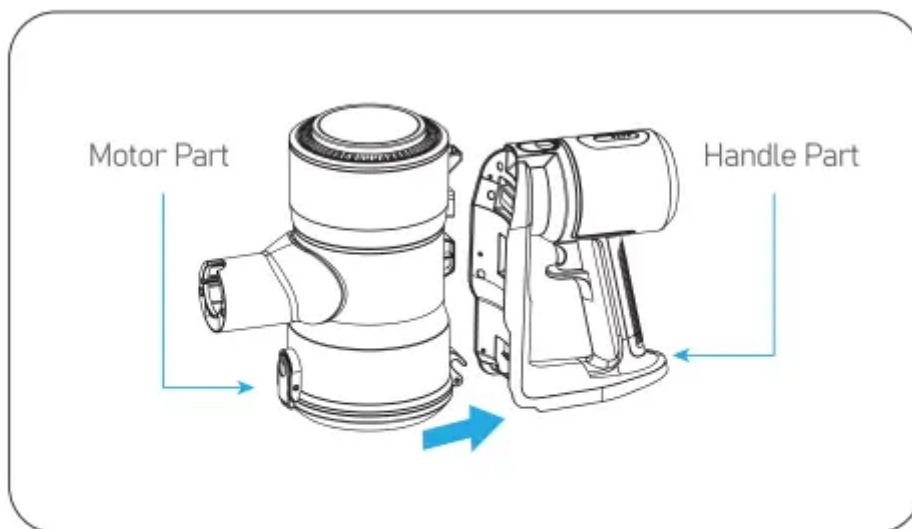
Make sure there is a trash bag underneath when press the Empty Button to avoid dust fall.

Cleaning the Brushes

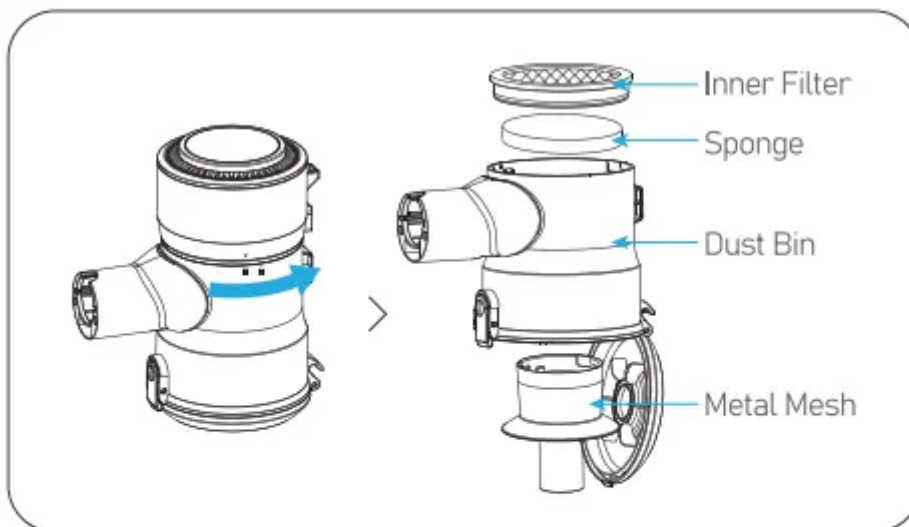


Cleaning & Replacing the Filters

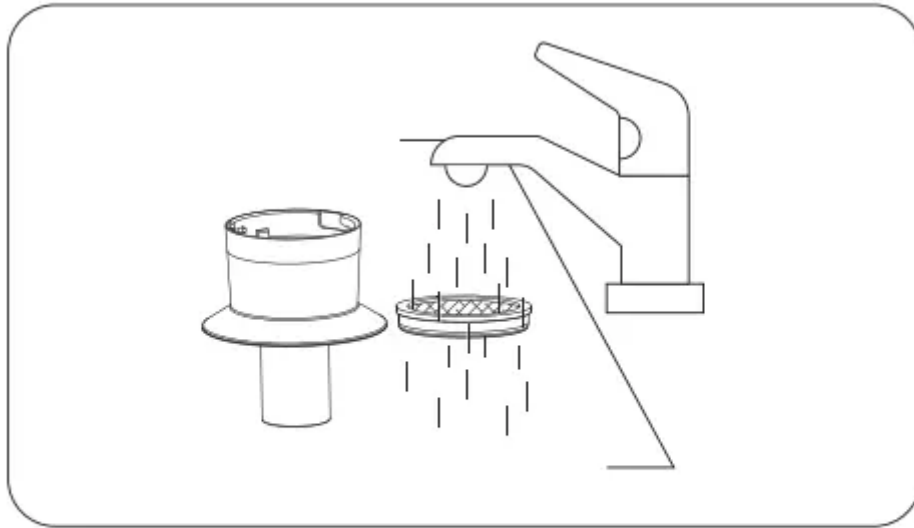
It's recommended to clean the metal mesh, inner filter and the sponge for 44 uses (or more frequently based on actual situation).



1. Disconnect the Handle part from the Dust Bin.



2. Turn the Motor Part anticlockwise to separate it from the Dust Bin, in order to reach the Metal Mesh, Inner Filter and the Sponge.



3. Cleanse the Metal Mesh and Inner Filter under tap water.



4. Pat the Sponge to clean instead of cleansing with water.

Note:

Please make sure all parts clean and dry before refit all parts security.

It's recommended to change the filter every 6 month, contact Toppin to purchase the replacement filter 6 other accessorizes if needed.

Disposing the Batteries

Disposal - wear gloves to handle the battery and dispose of immediately, following local ordinances or regulations.

SPECIFICATIONS

Rated Power	DC22.2V150W
Adapter Input	100-240V~50/60Hz0.5A
Adapter Output	26.5V/550mA
Battery Capacity	2200mAh
Work Time	18-35min
Charging Time	4hours
Noise Level	≤ 74dB
Motor Type	Brush motor
Dust Bin Capacity	0.8liter
Working Temperature	-20°C-40°C/-4°F-104°F
Dimensions	217.5 x 305 x122mm/8.5 x 12 x 4.8in
Unit Weight	1.4kg/3.1lbs
Product Weight(with2.5kg/ 5.5lbs attachment)	2.5kg/5.5lbs

TROUBLESHOOTING

Problem	Possible Solution
Vacuum does not work	<ul style="list-style-type: none"> • Low battery level - charge immediately with the power adapter included. • Loose battery connection - disassemble the battery and refit again, if still not work, contact Toppin support for further instructions.
Weak or no sucking	<ul style="list-style-type: none"> • Full Dust Bin - empty the Dust Bin • Blockages in the Wand, Floor Nozzle, Brush or Dust Bin: The Motor Brush Roll is protected from overcurrent. If there's a tangling or the motor is stuck, the temperature control inbuilt will disconnect the motor from power, so it'll stop rolling - Power off the vacuum to check and clear the tangling in this situation and start operation after the motor cools down. • Poor connection of Dust Bin or filter - Reassemble the Dust Bin or filter • Dirty Inner Filter - Clean the Inner Filter refer to 'Cleaning & Replacing the Filters' on Page 9.
Dust Leakage from the vacuum	<ul style="list-style-type: none"> • Full Dust Bin - empty the Dust Bin • Poor connection of Dust Bin or filter - Reassemble the Dust Bin or filter
Brush roll stops working	<ul style="list-style-type: none"> • There's a tangling or the brush gets stuck, the protection system is activated - Power off the vacuum to check and clear the tangling in this situation and start operation after the motor cools down. • Contact Toppin support@toppinlife.com if still not working normally.
Much shorter work time after charging	<ul style="list-style-type: none"> • Insufficient charging time - Fully charge the battery for k hours. Refer to the Charging the Battery section for more. • Aged battery - Purchase a new battery from Toppin.
Battery cannot be charged	<ul style="list-style-type: none"> • It's recommended to fully charge and discharge the battery ever 3 months, if the product is not in use for a Long time. • Aged battery - Purchase a new battery from Toppin.

Warning

This content is compiled from multiple sources and is provided for reference purposes only. It may not be complete or fully applicable to all situations. If you are unable to resolve your issue, please contact the product manufacturer or an authorized service provider for official support.

Document generated by [ManualsFile](#)