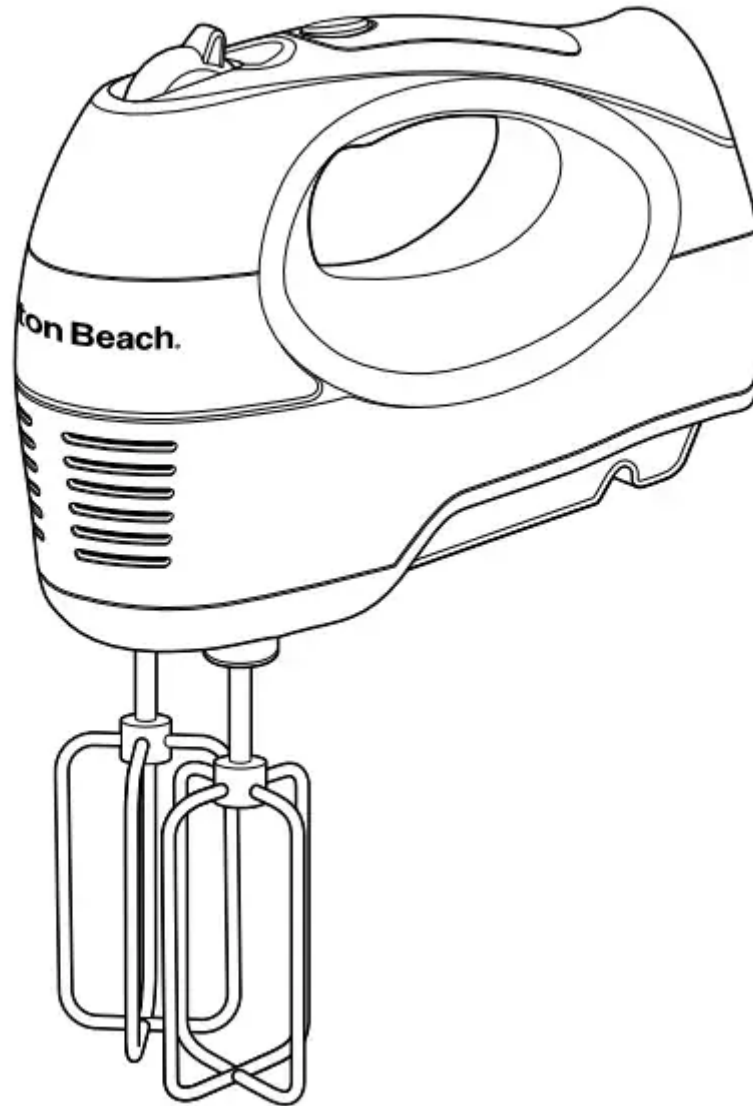


Hamilton Beach 62646 Hand Mixer



IMPORTANT SAFEGUARDS

When using electrical appliances, basic safety precautions should always be followed to reduce the risk of fire, electric shock, and/or injury to persons, including the following:

1. Read all instructions.
2. This appliance is not intended for use by persons with reduced physical, sensory, or mental capabilities, or lack of experience and knowledge, unless they are closely supervised and instructed concerning use of the appliance by a person responsible for their safety.
3. This appliance shall not be used by children. Keep the appliance and its cord out of reach of children.

4. Close supervision is necessary when any appliance is used near children. Children should be supervised to ensure that they do not play with the appliance.
5. To protect against risk of electrical shock, do not put cord, plug, base, or motor in water or other liquid.
6. Turn the appliance OFF(O), then unplug from outlet when not in use, before putting on or taking off parts, and before cleaning. To unplug, grasp the plug and pull from the outlet. Never pull from the power cord.
7. Avoid contacting moving parts. Keep hands, hair, and clothing, as well as spatulas and other utensils, away from beakers during operation to reduce risk of injury to persons and/or damage to mixer.
8. Remove beakers from mixer before washing.
9. Do not let cord hang over edge of table or counter to touch hot surfaces, including stove.
10. Do not operate any appliance with a damaged supply cord or plug, or after the appliance malfunctions or has been dropped or damaged in any manner. Supply cord replacement and repairs must be conducted by the manufacturer, its service agent, or similarly qualified persons in order to avoid a hazard. Contact Customer Service for information on examination, repair, or adjustment as set forth in the Limited Warranty.
11. The use of attachments not recommended or sold by the appliance manufacturer may cause fire, electric shock, or injury.
12. Do not use outdoors.
13. Do not place on or near a hot gas or electric burner, or in a heated oven.
14. Check that the appliance is OFF (O) before plugging cord into wall outlet. To disconnect, turn the control to OFF (O); then remove plug from wall outlet. To unplug, grasp the plug and pull from the outlet. Never pull from the power cord.
15. Do not use appliance for other than intended purpose.
16. CAUTION! In order to avoid a hazard due to inadvertent resetting of the thermal cut-out, this appliance must not be supplied through an external switching device, such as a timer, or connected to a circuit that is regularly switched on and off by the utility.

SAVE THESE INSTRUCTIONS

This appliance is intended for household use only.

WARNING Electrical Shock Hazard: This product is provided with a polarized plug (one wide blade) to reduce the risk of electric shock. The plug fits only one way into a polarized outlet. Do not defeat the safety purpose of the plug by modifying the plug in any way or by using an adapter. If the plug does not fit fully into the outlet, reverse the plug. If it still does not fit, have an electrician replace the outlet.

The length of the cord used on this appliance was selected to reduce the hazards of becoming tangled in or tripping over a longer cord. If a longer cord is necessary, an approved extension cord may be used. The electrical rating of the extension cord must be equal to or greater than the rating of the appliance. Care must be taken to arrange the extension cord so that it will not drape over the countertop or tabletop where it can be pulled on by children or accidentally tripped over.

CAUTION Moving Parts Hazard: To reduce the risk of personal injury, always unplug mixer before inserting or removing beaters.

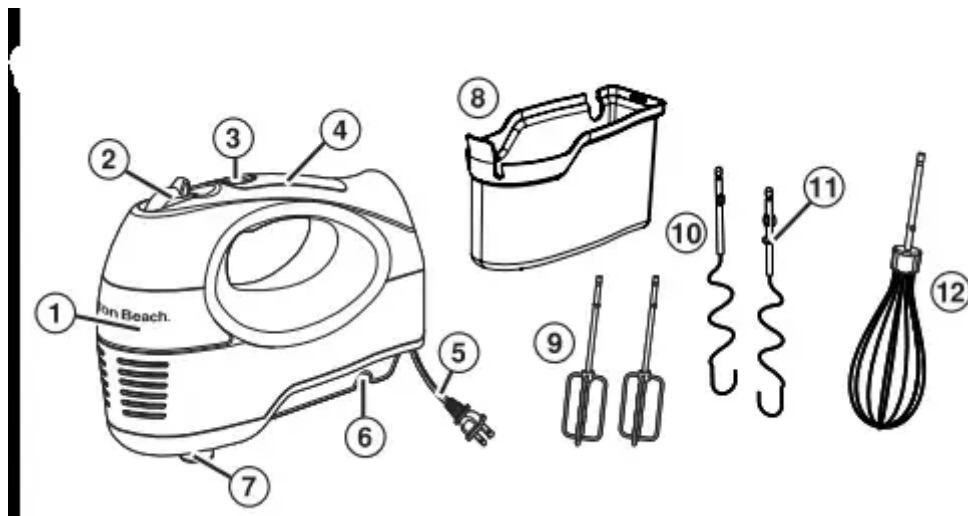
WATTAGE/PEAK POWER INFORMATION

The marked rating of the hand mixer is determined by Underwriters Laboratories as the maximum stabilized power consumption of the hand mixer at high speed under a loaded condition.

Peak power is an average of the maximum wattage a hand mixer may consume during initial operation at high speed.

Parts and Features

To order parts, visit: hamiltonbeach.com/parts



1. Housing
2. Speed Control/Eject Button
3. BURST Button
4. Handle with Soft-Grip Material
5. Power Plug with Power Cord
6. Bowl Rest
7. Openings for Attachments
8. Storage Case
9. Beater Attachments
10. Dough Hook Attachments

11. Collar Disc
12. Whisk Attachment

Before first use:

- Remove all packaging materials, labels, and/or stickers from your Hand Mixer.
- Check that all parts are enclosed and that the unit is not damaged.
- Clean the appliance and all accessories. See “Care and Cleaning” section.

How to Use Your Mixer

CAUTION Moving Parts Hazard. To reduce the risk of personal injury, always unplug mixer before inserting or removing beaters.

1. Make sure Mixer is unplugged and Speed Control is set to OFF (O).
2. Insert Beaters or one Whisk into Opening(s) for Attachments. When using Dough Hooks, insert Dough Hook with Collar Disc into opening on right side. Push to click into place.
NOTE: Attachments should be used as a set (2 Beaters, 2 Dough Hooks, or 1 Whisk). Do not mix different Attachments.
3. Plug into outlet. Place Beaters into bowl with ingredients.
NOTE: Make sure to turn the Mixer to OFF (O) before adding any ingredients.
4. Set Speed Control to desired speed, starting at 1 and increasing speed if necessary.
5. When finished mixing, move Speed Control to OFF (O) and unplug Mixer.
6. To eject Attachments: Set Speed Control to OFF (O), and unplug Mixer. Hold the Attachments at their stems and press the Eject Button to release the Attachments from the Mixer.
NOTE: Always unplug Mixer before attempting to remove Attachments.

General Mixing Guide

SPEED	FUNCTION
0	OFF (Must be OFF/O to eject beaters)
1	LOW speed for folding or mixing in dry ingredients, muffins, or quick breads
2	To cream butter and sugar; most cookie dough
3	MEDIUM speed for most packaged cake mixes
4	Frosting and mashed potatoes; kneading dough
5	Beating egg whites; kneading dough
6	HIGH speed for whipping cream

BURST Button

Press and hold down the BURST Button for additional power at any speed. NOTE: Do not hold Burst Button down for more than 2 minutes at a time.

Bowl Res

Use the Bowl Rest while adding ingredients or checking a recipe. To use, turn Mixer OFF (O) and then set the Mixer on the edge of the bowl.

NOTES:

- Never use Bowl Rest when Mixer is on.
- Do not use Bowl Rest on small or plastic mixing bowls.
- Do not lean Beaters against side of bowl.

Care and Cleaning

WARNING Electrical Shock Hazard. Disconnect power before cleaning. Do not immerse mixer, cord, or plug in any liquid.

1. Make sure Mixer is unplugged before cleaning.
2. Wash Attachments in hot, soapy water. Rinse and dry. Or, wash in dishwasher, top-rack only. DO NOT use the "SANI" setting when washing in the dishwasher. "SANI" cycle temperatures could damage your product.
3. Wipe Housing with a soft damp cloth or sponge and dry.

NOTES:

- Clean the Mixer after every use. This appliance contains no user-serviceable parts and requires little maintenance. Leave any servicing or repairs to qualified personnel.
- Clean and dry all parts before storing. Store the Mixer in its storage case or in a clean, dry place. Never wrap the power cord around the Mixer.
- Do not use abrasive cleaners or scouring pads.

Limited Warranty

This warranty applies to products purchased and used in the U.S. and Canada. This is the only express warranty for this product and is in lieu of any other warranty or condition.

This product is warranted to be free from defects in material and workmanship for a period of five (5) years from the date of original purchase in Canada and one (1) year from the date of original purchase in the U.S. During this period, your exclusive remedy is repair or replacement of this product or any component found to be defective, at our option; however, you are responsible for all costs associated with returning the product to us and our returning a product or component under this warranty to you. If the product or component is no longer available, we will replace with a similar one of equal or greater value.

This warranty does not cover glass, filters, wear from normal use, use not in conformity with the printed directions, or damage to the product resulting from accident, alteration, abuse, or misuse. This warranty extends only to the original consumer purchaser or gift recipient. Keep the original sales receipt, as proof of purchase is required to make a warranty claim. This warranty is void if the product is used for other than single-family household use or subjected to any voltage and waveform other than as specified on the rating label (e.g., 120V - 60Hz).

We exclude all claims for special, incidental, and consequential damages caused by breach of express or implied warranty. All liability is limited to the amount of the purchase price. Every implied warranty, including any statutory warranty or condition of merchantability or fitness for a particular purpose, is disclaimed except to the extent prohibited by law, in which case such warranty or condition is limited to the duration of this written warranty. This warranty gives you specific legal rights. You may have other legal rights that vary depending on where you live. Some states or provinces do not allow limitations on implied warranties or special, incidental, or consequential damages, so the foregoing limitations may not apply to you.

To make a warranty claim, do not return this appliance to the store. Please write Hamilton Beach Brands, Inc., Customer Service Department, 4421 Waterfront Dr., Glen Allen, VA 23060, or visit hamiltonbeach.com/customer-service in the U.S. or hamiltonbeach.ca/customer-service in Canada. For faster service, locate the model, type, and series numbers on your appliance.

Warning

This content is compiled from multiple sources and is provided for reference purposes only. It may not be complete or fully applicable to all situations. If you are unable to resolve your issue, please contact the product manufacturer or an authorized service provider for official support.

Document generated by [ManualsFile](#)

