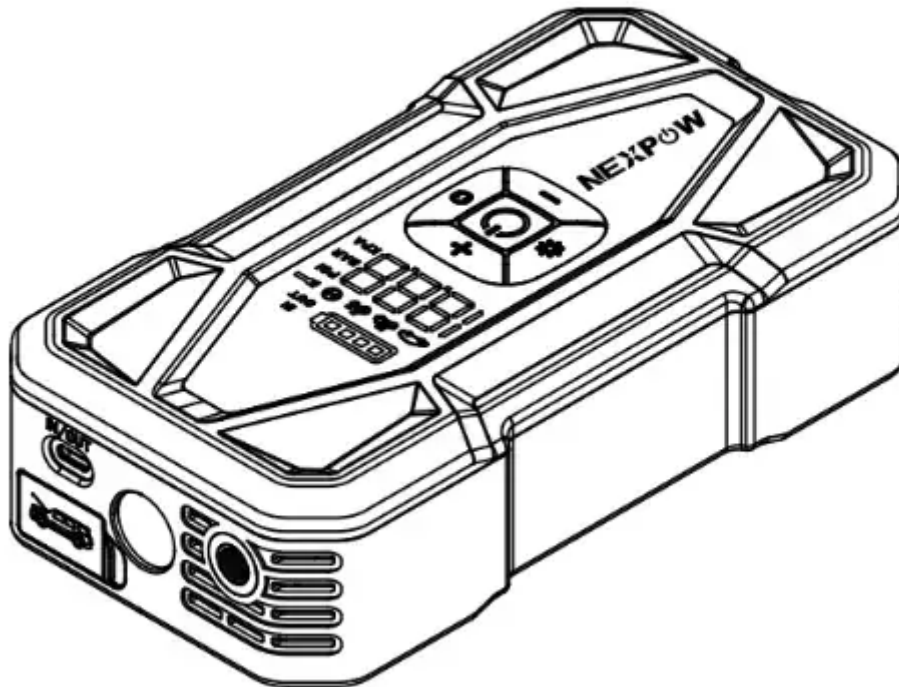


User Manual Jump Starter & Air Compressor



Product information

Product Name: Jump Starter & Air Compressor

Model Number: CP169A

Capacity: 59.2Wh

Pressure Range: 3-150PSI

Type-C IN(OUT): 5V-3V 9V-3A 12V-2.5A 15V-2A 20V-1.5A (PD30W)

Operating Temperature: -20°C~60 °C

Package

Jump Starter & Air Compressor x1

Smart Clamp x1

High-Pressure Air Inflation Tube x1

Type-C Charging Cable x1

Long Air Nozzle x1

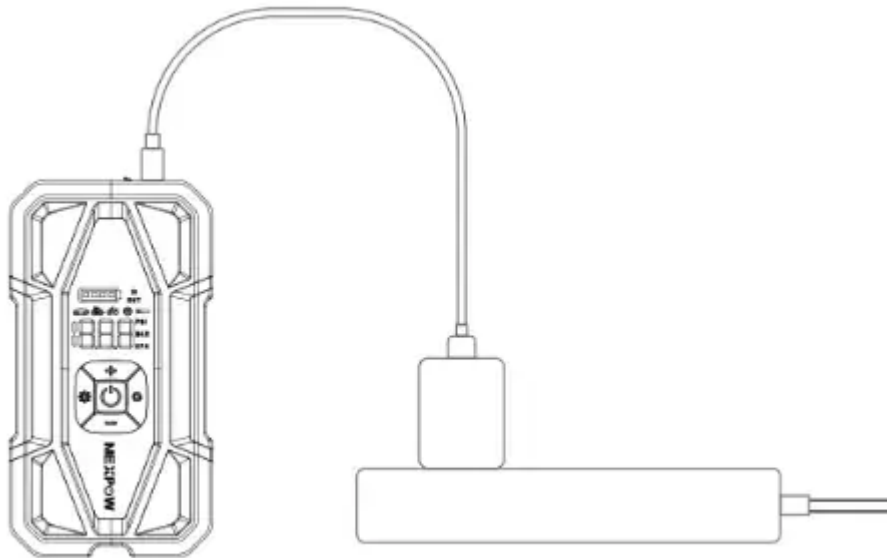
French Valve x1

Ball Needle x1

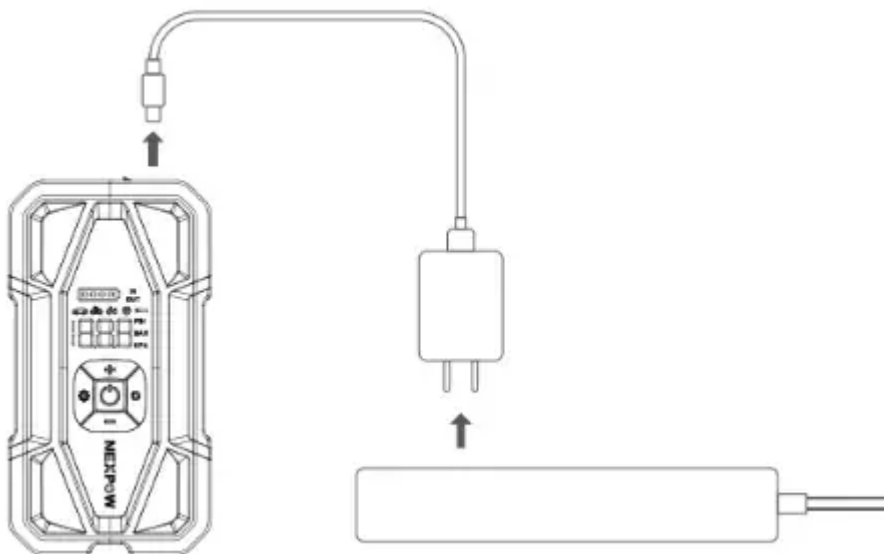
Storage Bag x1

Charging

1. Disconnect the charger and cable after the product is fully charge

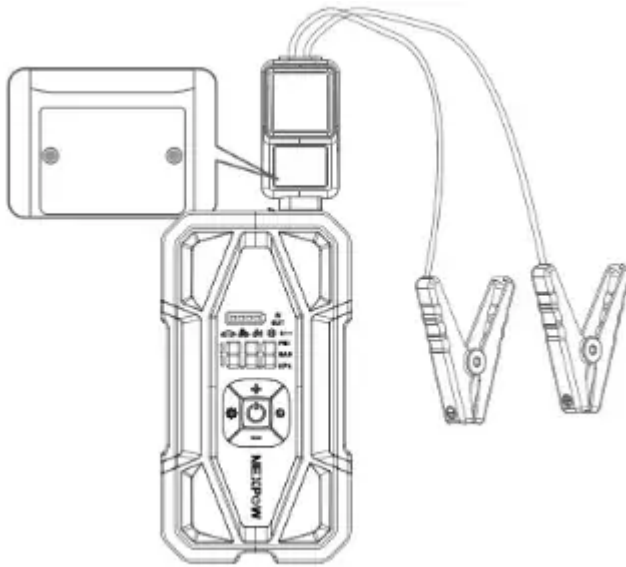


2. Insert the charger into the socket, and connect the Type-C charging cable to the product to start charging.

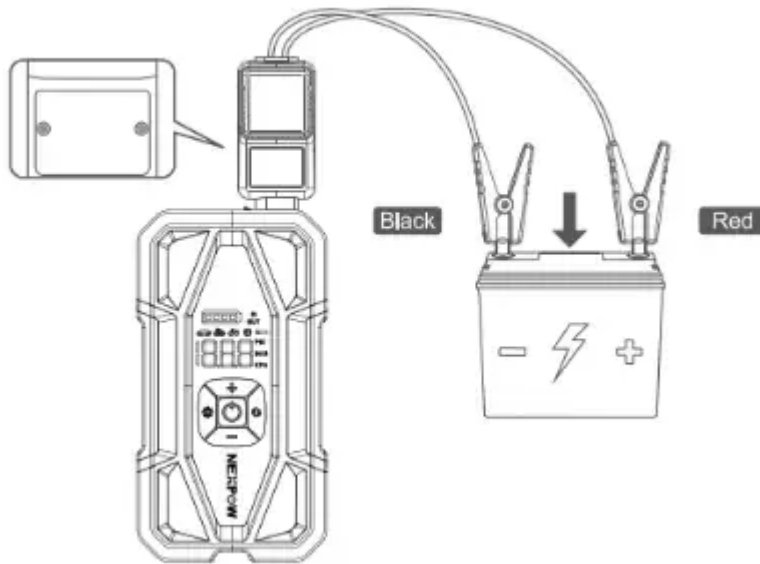


Jump Start Function

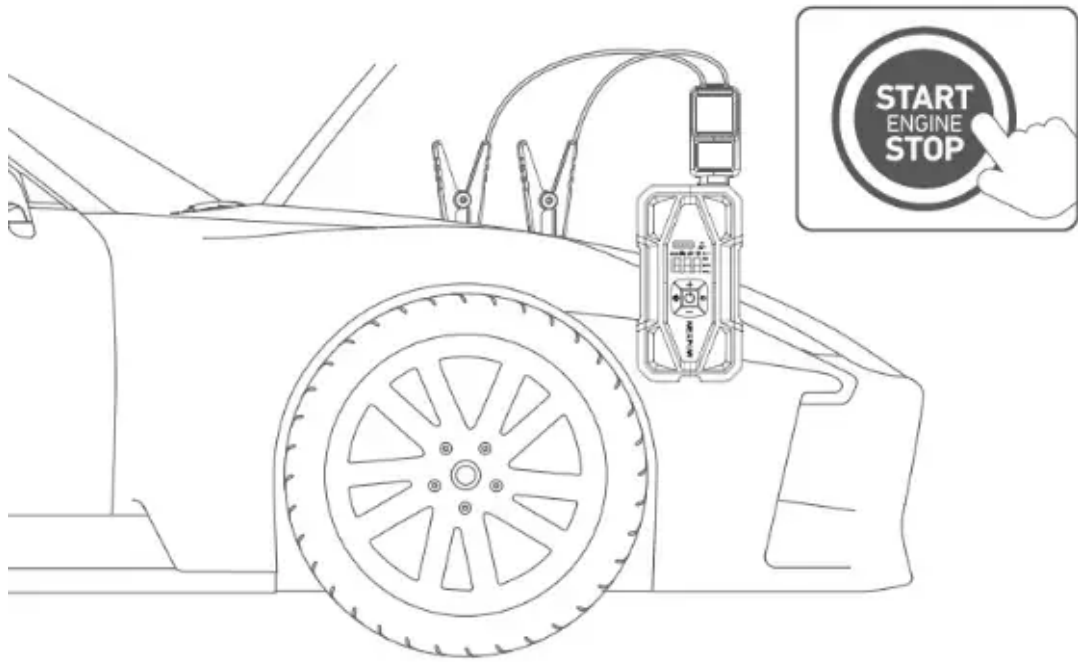
1. Ensure the smart jump starter cables are completely inserted into the 12V jump start port. (The red and green lights flash alternately.)



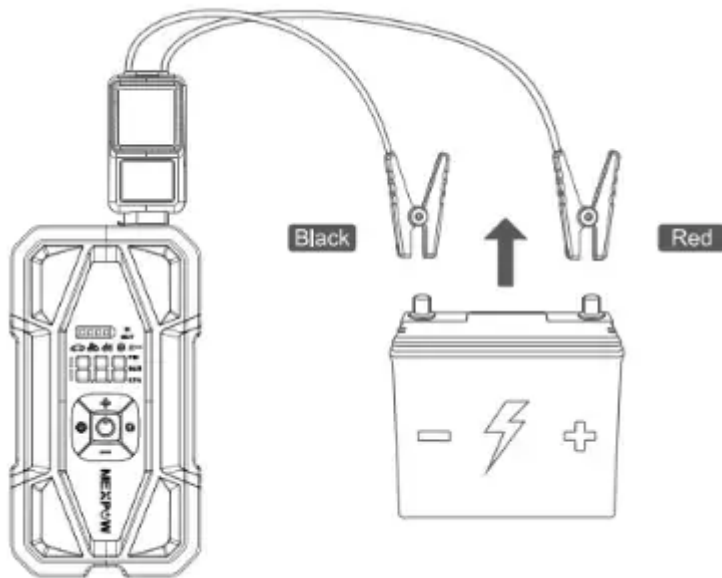
2. Securely connect the positive and negative clamps to the corresponding battery terminals as shown below, the smart indicator will turn green. (If the indicator continues to flash in red and green alternately or turns red, please ensure the connection is correct).



3. Start the vehicle



4. Remove the smart cable clamp after the car has successfully started.



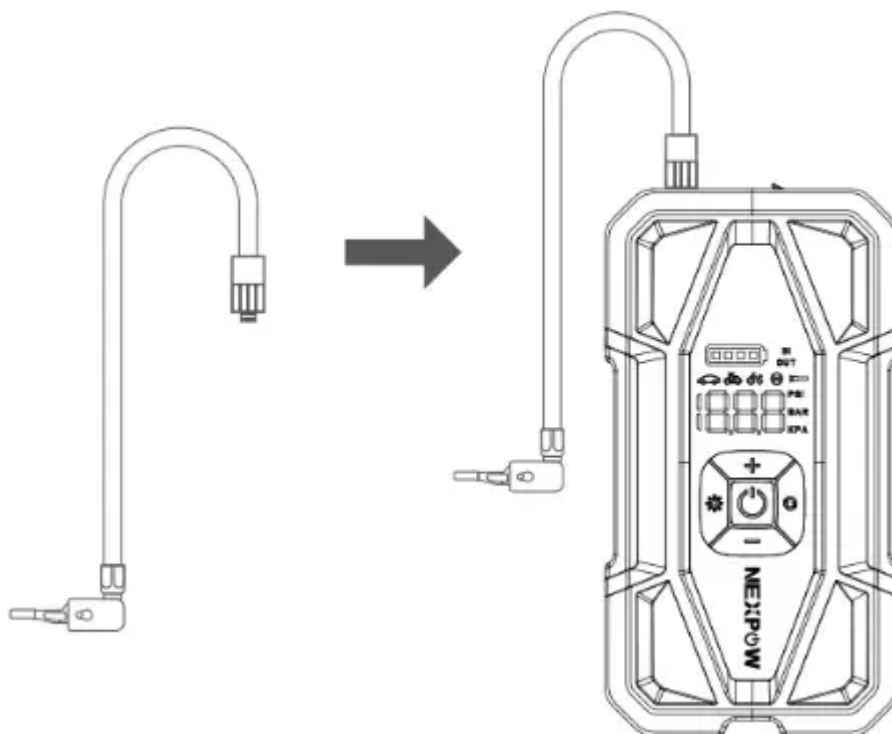
Tip 1: Turn off any electrical devices in the vehicle before jump starting it.

Tip 2: If it fails to jump start, stop and remove the clamps. Wait for 60 seconds and retry step 3.

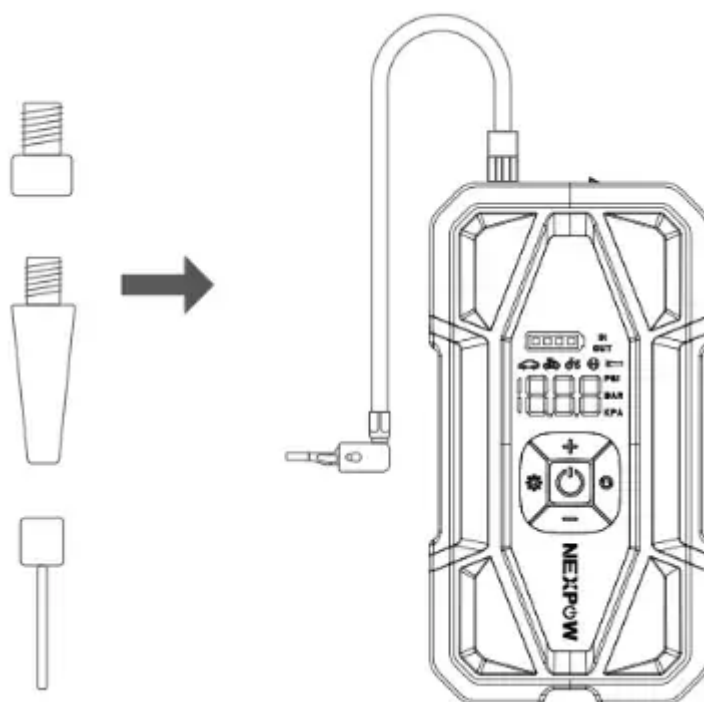


Inflation Function Description

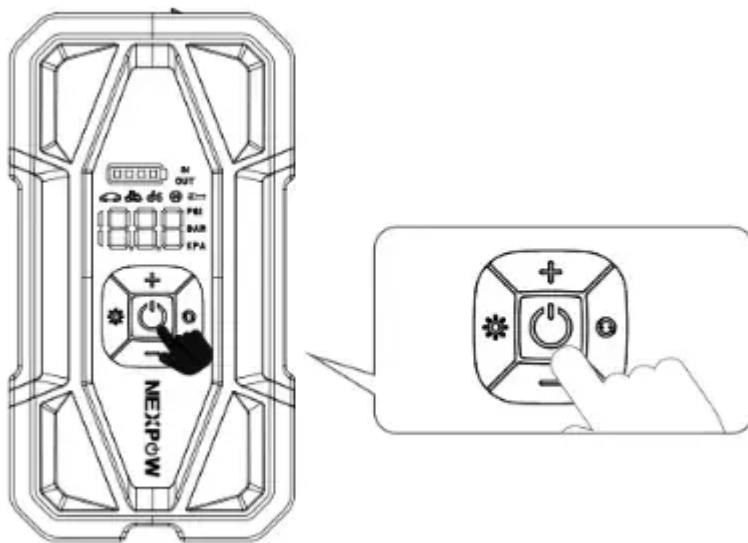
1. Take out the inflation tube and connect to the product



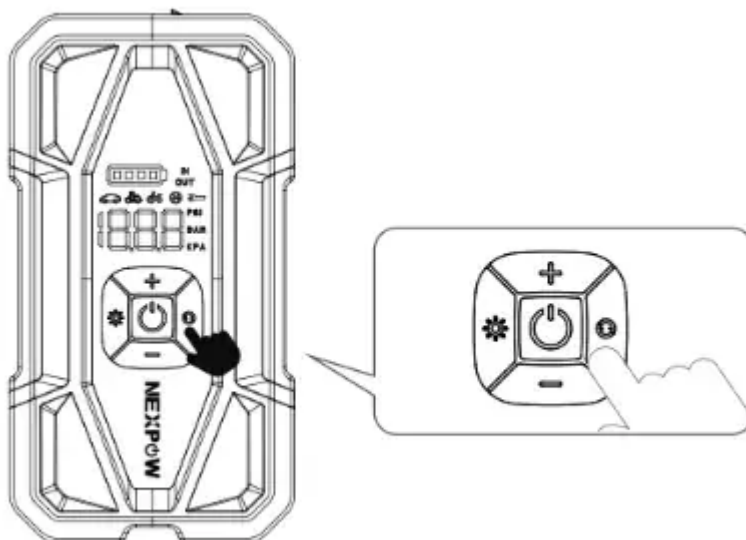
2. Choose the right air nozzle to inflate your items



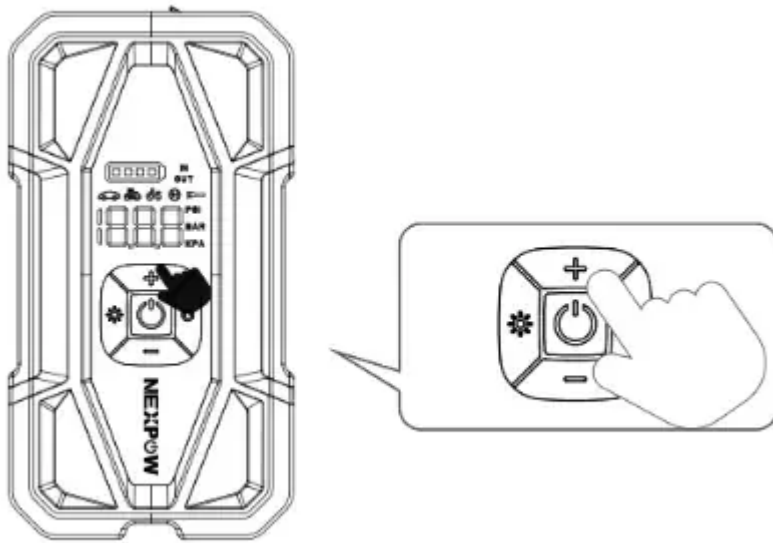
3. Long press the power button for 3 seconds to turn on.



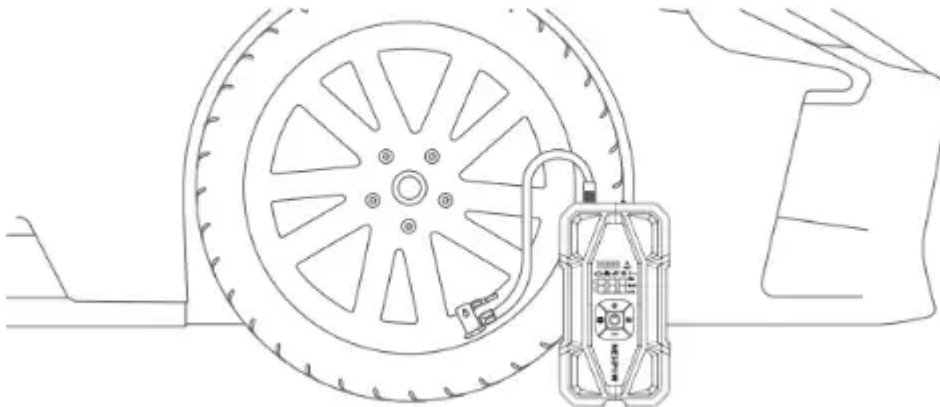
4. Short press the mode button "⚙️" to switch between the following five modes on the display screen (the fifth mode is custom mode). Long press the mode button to switch between "PSI/BAR/KPA" to select the correct air pressure unit.



5. Use "+" and "-" to manually increase and decrease the preset tire pressure value.



6. Press the power button to inflate. When the inflation reaches the preset value, it will automatically stop inflating.



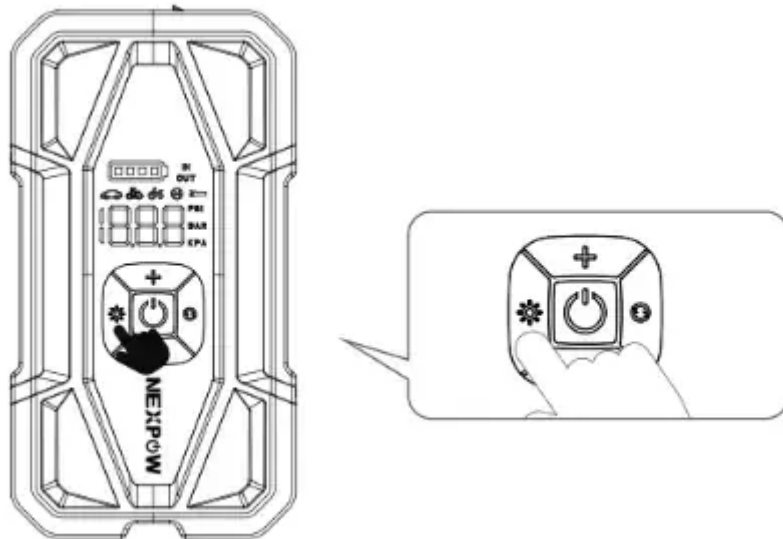
Tip 1: If the tire pressure of the object to be inflated is higher than the preset value, the product will not work.





Tip 2: PSI, BAR, and KPA are units of pressure, not pressure levels.

Tip 3: Inflate the object only according to the recommended pressure.

Light Operating Instructions

After turning on the jump starter, short press the power button to switch between lighting, warning, SOS, and turn off the light.



| Mode | Default Mode | Adjustable Range |
|---|------------------------|------------------|
|  | Car Mode: 36Psi | 26-51Psi |
|  | Motorcycle Mode: 35Psi | 26-44Psi |
|  | Bicycle Mode: 45Psi, | 30-145Psi |
|  | Ball Mode: 8Psi | 4-16Psi |

Custom mode: When in the manual mode, the preset pressure value is adjustable.

Adjustable Range: 3-150psi

Troubleshooting

If the car cannot be started, please check in order:

1. The battery is low, you may need to charge the product more. Please keep the battery charge above 50% to ensure a successful quick start.
2. Rust or dirt on the battery terminals causes poor connection. Clean the terminals and try again.
3. It has activated its overheat protection. Please wait at least 1 minute to cool down and try again.
4. The battery clamp is connected to the incorrect pole. Please make sure the clamp is connected to the correct terminal.
5. There is a poor connection between the smart jump start clip and the battery.

6. Make sure the connection between the clip and battery is secure.
7. The vehicle would not start as a result of lack of power.

If tire inflation fails, check possible causes in order:

1. Battery level is insufficient.
2. Inflatable tube is not properly connected.
3. The preset tire pressure value is lower than the current tire pressure.
4. The valve stem nozzle of the tire is blocked by ashes.
5. User forgets to press start button after preset value.
6. This product has activated its overheat protection due to overheating of the motor or battery. Please cool down then try again.

Important Safety & Usage Instructions

1. This product can be used to start 12V car engines but not 24V car engines.
2. Be sure to use the wire clamps provided with the product to start the vehicle.
3. Do not clamp both ends of the battery clamps together, as this may cause a safety hazard.
4. If the start fails, please wait at least 1 minute before trying again to avoid damaging the product.
5. After starting the car, please wait at least 30 minutes before charging the product.
6. Before inflating, confirm the required air pressure value of the item to avoid over-inflation, which could cause an explosion and personal injury.
7. When setting the inflation pressure, ensure that the correct measurement unit is selected, as incorrect settings may lead to accidents like tire blowouts. Common unit conversions:
1 BAR = 14.5 PSI, 1 BAR = 100 KPA.
8. Keep this product at a safe distance from children during inflation.
9. Do not bend or step on the inflation tube during inflation, and ensure that the airflow remains unobstructed.
10. During the inflation process, the operator must remain on-site and monitor the process to prevent excessive inflation due to incorrect air pressure settings.

Warning

This content is compiled from multiple sources and is provided for reference purposes only. It may not be complete or fully applicable to all situations. If you are unable to resolve your issue, please contact the product manufacturer or an authorized service provider for official support.

Document generated by [ManualsFile](#)