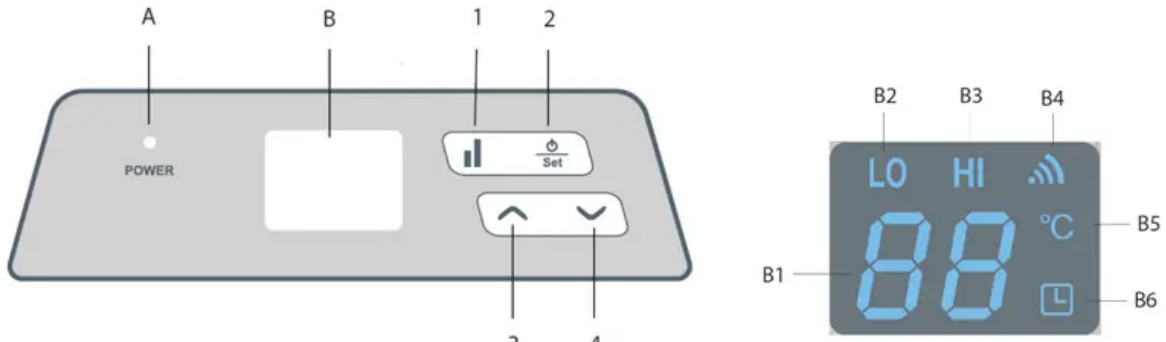


## USER INSTRUCTIONS FOR EVERDURE PANEL CONVECTION HEATERS

### CONTROL FUNCTIONS



- A. POWER INDICATOR
- B. LED DISPLAY
- 1. TEMPERATURE SELECT BUTTON
- 2. POWER/SET
- 3. UP BUTTON
- 4. DOWN BUTTON
  
- B1. NUMERIC DISPLAY BUTTON
- B2. LOW POWER INDICATOR
- B3. HIGH POWER INDICATOR
- B4. HEATER RUNNING INDICATOR
- B5. TEMPERATURE SET INDICATOR
- B6. TIMER SET INDICATOR

### GETTING STARTED

1. Carefully remove the heater from packaging and the carton. and unwind the cord to its full length.
2. Either fit the castors & place the heater onto a stable, flat and dry surface. or fit the mounting brackets to a stable wall & hang from the wall in a dry position away from open or running water. See installation sections for details.
3. Turn the heater off at the power switch (on the right hand side of the unit). Plug the cord set into a 220-240V~A.C. 50Hz electrical outlet. Turn the power on at the electrical outlet.
4. Turn the heater on at the power switch (on the right hand side of the unit). The power indicator will light up (but no LED display) indicating the unit is in “stand-by mode”. If the LED is lit up, press the “power/set” button for 3 seconds to put it into “stand-by mode”. The heater is now ready for use. Refer to the operating instructions section further in this manual for the full operation of your heater. The power indicator will remain lit until the

power switch on the heater side is turned off or the heater is unplugged from the electrical outlet.

NOTE: When the heater element is working, the indicator B4 will be lit. Once the heater has reached its required temperature, the element is turned off & the indicator B4 also turns off.

NOTE: Heater must have castors fitted or be attached to a wall before use.

## **OPERATING INSTRUCTIONS**

### **TURNING ON & OFF**

Once the unit is in “stand-by mode”, press the “power/set” button once to turn the unit on. The LED display will show the current room temperature. Hold down again for 3-5 seconds and the unit will go back into “stand-by mode” (only power indicator is lit). NOTE: If the power supply is interrupted while the unit is operating, the unit will restart at using the same function when the power is reinstated.

### **POWER SETTINGS**

There are 2 power settings, low & high. Once the unit is operating, the setting can be changed by pushing the “power setting” button. Generally, start the unit using the high power setting (“HI” on the LED display), to heat the room as fast as possible. Once the required temperature has been reached, the unit can be turned down to the low power setting (“LO” on the LED display) to save power but keep the same temperature.

### **SETTING TEMPERATURES**

While the unit is operating, press the “power/set” button once. The timer set indicator & LED display will start to flash (showing the maximum temperature setting). To adjust the temperature, press the “up” & “down” buttons (the range is 5°C to 30°C) while the LED is flashing until the required temperature is displayed. The timer set indicator & LED display will stop flashing 5 seconds after the last button is pressed, indicating the change has been locked in, and return to the room temperature display.

### **SETTING THE TIMER**

While the unit is operating, press the “power/set” button twice. The timer set indicator & LED display will start to flash indicating the timer length in hours (this will normally be “0” indicating the timer is off). Adjust the timer length (in hours) by pressing the “up” & “down” buttons (the range is 24 hours down to 1 hour – 0 turns the timer off). The timer set indicator & LED display will stop flashing 5 seconds after the last button is pressed, indicating the change has been locked in, and return to the room temperature display. The timer set indicator will stay on while the timer is set. Once the set time has elapsed, the unit will go into “stand-by mode”. To cancel or adjust the timer, repeat the above & change the time setting.

## CHILD LOCK FUNCTION

The control panel can be locked electronically by pressing the up and down buttons together until the lock symbol appears on the LED (outer square). This stops all function buttons (except the main power switch) from operating. Repeating the sequence will unlock the control panel. Note: Turning the power off & on or activating the tilt switch will also disable the child lock.

## MAIN POWER SWITCH

The main power switch is to the right of the control panel. After the heater is plugged in, switching this on allows the heater to function & switching it off stops all functions.

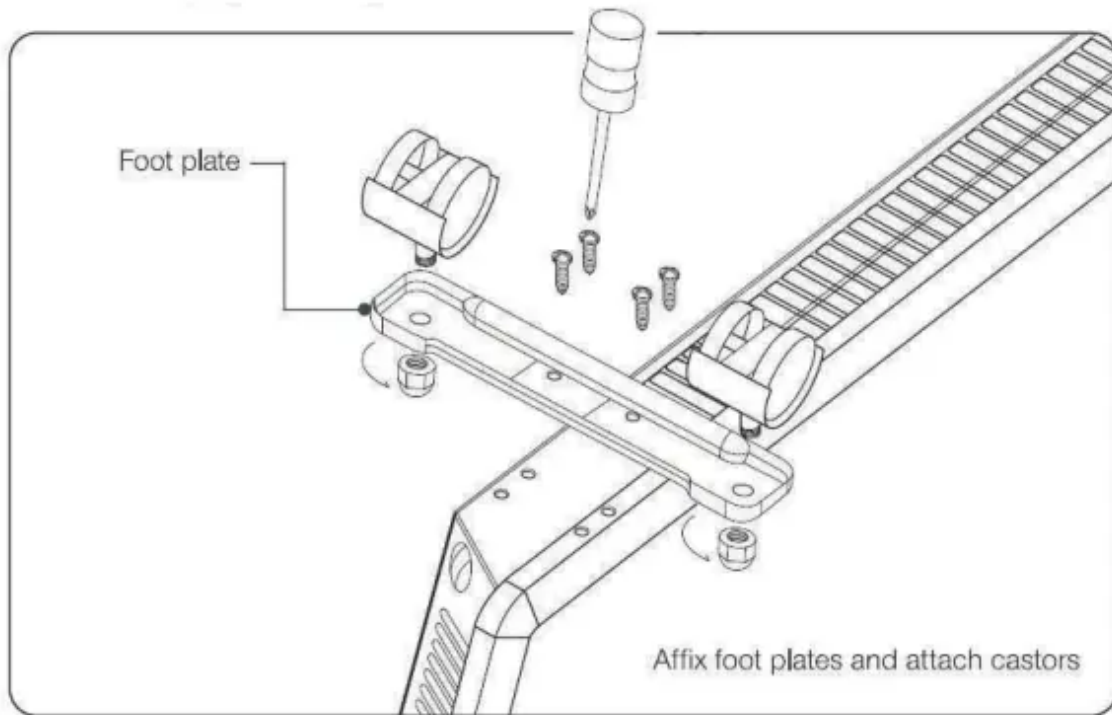
## INSTALLATION GUIDE

This heater can either be mounted to a wall or used with the supplied castors. Please note the following safety warnings:

- This heater is hot when in use. To avoid burns, do not let bare skin touch hot surfaces. Always use the control panel or castor supports when moving the heater (when not wall mounted). Keep combustible materials such as furniture, pillows, bedding, papers, clothes and curtains at least 1 meter from the front & top of the heater and keep them at least 0.5 meters from the sides and rear. Do not cover.
- The heater has hot parts inside. It must NOT be used in potentially dangerous locations such as flammable, explosive, chemical-laden or wet atmospheres.
- This heater is intended for general indoor domestic use ONLY. This heater is not intended for use in wet or damp locations, such as a bathroom or any area containing a bath, shower, wash basin or close to water or damp items. Never locate a heater where it may fall into a bathtub or other water container. It must be positioned or installed so that the controls cannot be touched by a person in a bath or shower. Do not immerse the power cord in any liquid (including water).
- Never install or use the heater directly below a wall socket.
- When fixing on a wall, the heater must be level, securely fixed & at the correct height (check with local authorities if unsure). There must be at least 150mm between it and any barrier/wall to the sides, bottom or top to prevent overheating or damage.

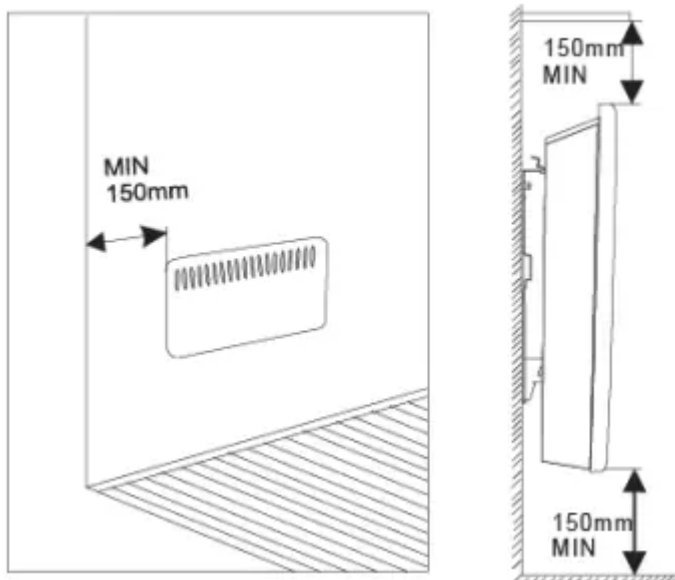
## FITTING CASTORS

Make sure the heater is unplugged from the mains power. Turn the heater upside down & rest on a protective surface. Place a castor bracket over one set of 4 holes at either side of the heater base. Use the supplied screws to attach the castor bracket firmly to the heater base. Turn the heater right side up & it is ready to connect to mains power. Note: The heater gets hot when in use, so it is best not to move when in use. If it must be moved, use the castor brackets or control panel as points of contact.



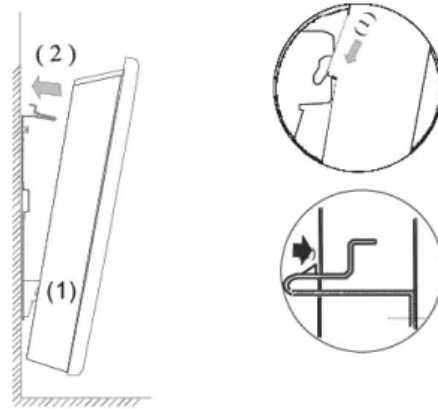
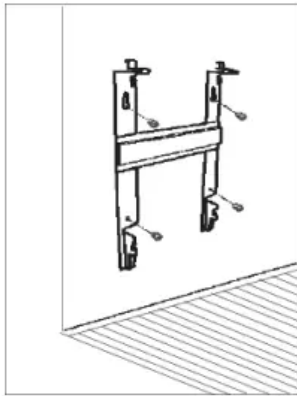
## WALL MOUNTING

Do not fit the castors to the base of the heater. Make sure the heater is unplugged from the mains power and the wall is suitable for mounting the panel heater and there are the correct clearances. Detach the mounting bracket from the rear of the heater by compressing the 2 bracket clips, pulling the clips out of the heater rear & removing the bracket hooks from the heater.



Position the bracket on the wall in the desired position & drill holes for four mounting screws. Once the holes are drilled, use four screws (appropriate for the type of wall) to fix the bracket firmly in place. Check for strength. Carefully place the heater (slightly tilted forward) onto the hooks at the bottom of the bracket & rotate back so the clips fix back into their original holes.

Check that they are fixed correctly. If possible, have a second person help to check for alignment as the heater is attached. The heater is now ready to connect to the mains power.



## SAFETY FEATURES

1. A thermal overload protector is built in to prevent overheating.
2. When an overheat temperature is reached, the heater will automatically shut off. It can only resume operation when the user resets the unit (see reset instructions below).

To reset your heater:

1. Unplug the heater and wait for 45 minutes for the unit to cool down.
2. Then, turn on the unit again and operate normally.

## CLEANING & MAINTENANCE

**WARNING: ALWAYS UNPLUG THE CORD BEFORE MOVING OR SERVICING. DO NOT IMMEDIATELY HEATER IN WATER!**

With the heater disconnected from the power, clean the exterior body of the heater with a soft damp cloth.

Always make sure that the heater is completely dry before connecting back to the mains supply. A vacuum cleaner can be used to clean the inlets & outlets of dust & fluff. To clean behind a wall mounted unit, the mounting clips can be disconnected & the heater rotated slightly forward (a 2 person job). Please make sure the unit is properly resecured after.

**CAUTION:** Do not use gasoline, benzene, thinner, harsh cleaners, etc. as they will damage the heater. NEVER use ALCOHOL OR SOLVENTS.

**STORAGE:** Store the heater with these instructions in the original packaging, in a cool, dry place.

## SPECIFICATIONS

MODEL	INPUT POWER	RATED POWER	DIMENSIONS (NO CASTORS)	WEIGHT
HPE152W	220-240Vac 50Hz	1500W	640x400x85mm (WxHxD)	5.1Kg
HPE222W	220-240Vac 50Hz	2200W	940x400x85mm (WxHxD)	7.2Kg

## HINTS & TIPS

Where possible, your electric panel convection heater should be connected to a power outlet that uses a separate 10 amp power circuit than other items. This will avoid overloading your household fuse.

In the event that your household fuse is overloaded and trips, please note this is normally caused by the use of excessive power outlets at the same time your heater is operating (for example, a steam iron, kettle, toaster etc.).

Please ensure to check the use of the power circuit and adjust when heater is in use (i.e. turn off the heater when boiling a kettle).

If your heater does not work:

- Check that power is available to the heater & it is plugged in & turned on.
- Check that the heater temperatures are set correctly for the ambient temperature.
- Check that the thermal cut-out has not activated (see safety features).
- Do not try to repair the heater.

### Warning

This content is compiled from multiple sources and is provided for reference purposes only. It may not be complete or fully applicable to all situations. If you are unable to resolve your issue, please contact the product manufacturer or an authorized service provider for official support.