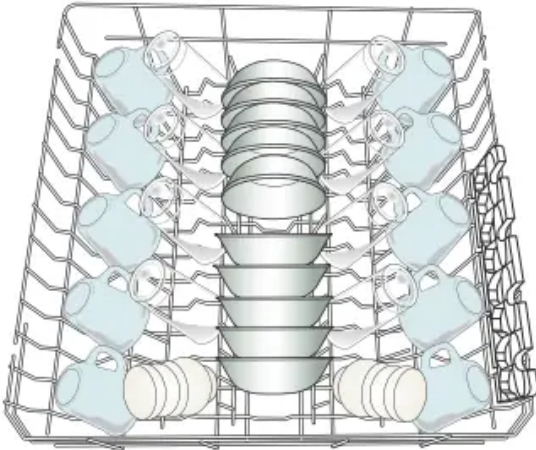
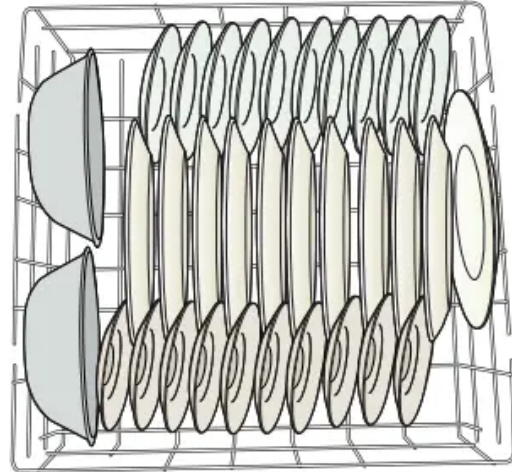


## OPERATING YOUR DISHWASHER

### 1. Prepare and load the dishwasher



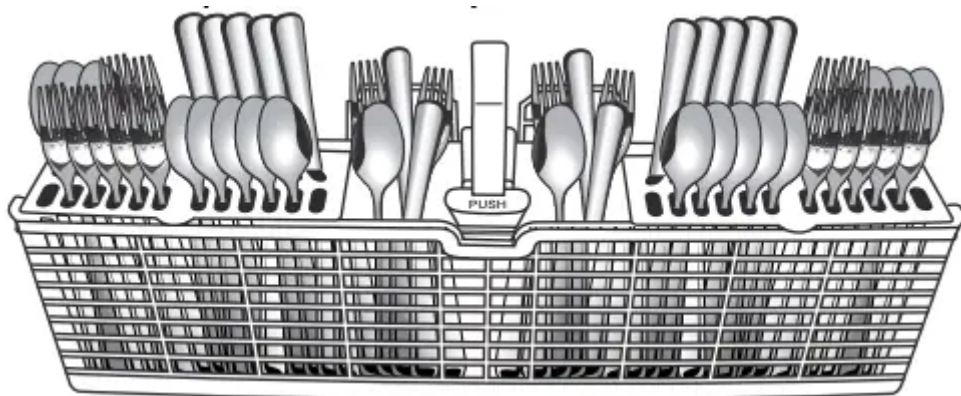
*10-place load – upper rack*



*10-place load – lower rack*

**IMPORTANT:** Remove leftover food, bones, toothpicks and other hard items from dishes. Remove labels from containers before washing.

- Make sure when dishwasher door is closed, no items are blocking detergent dispenser.
- Items should be loaded with soiled surfaces facing down and inward to the spray as shown in the graphics above. This will improve cleaning and drying results. Angle dirtiest dish surface downward, allowing space for water to flow up through rack and between dishes.
- Avoid overlapping items, like bowls or plates, that may trap food.
- Place plastics, small plates, and glasses in upper rack.
- Wash only items marked “dishwasher safe.”
- To avoid thumping/clattering noises during operation: Load dishes so they do not touch one another. Make sure lightweight load items are secured in racks.
- Additional loading patterns are available online at [whirlpool](http://whirlpool.com).
- Use slots in the covers and suggested loading patterns to keep your silverware separated for optimum wash.

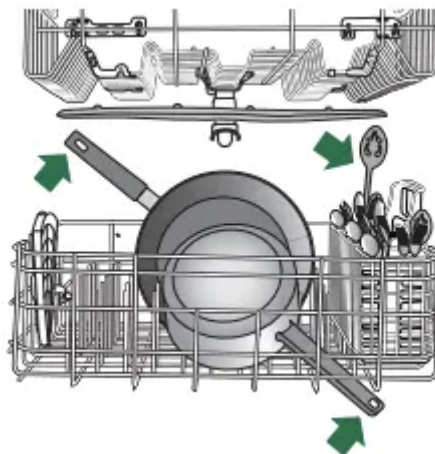


- When loading silverware, always place sharp items pointing down and avoid “nesting” as shown. If your silverware does not fit into the designated slots, flip covers up and mix silverware types to keep them separated.

**NOTE:** The AnyWare™ Silverware Basket can sit in the door for completely usable rack space, letting you fit more items in the rack. It can also go in your lower rack to fit your needs.

## **2. Check that all arms spin freely**

Items in rack can block the spray arms.



## **3. Add detergent**

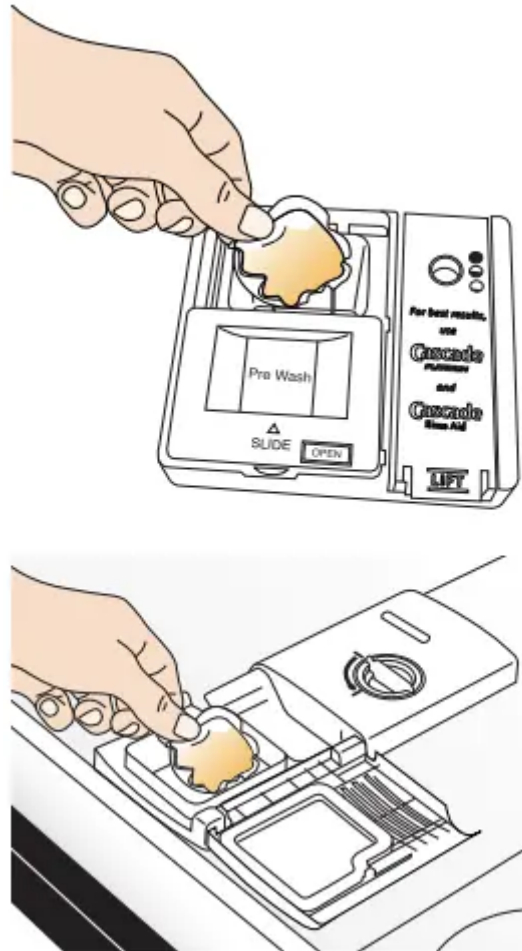
### ***Premeasured Detergents***

High quality premeasured tablets and packs are recommended for improved performance. Quality tablets and packs have been proven better than powder, liquid, or gel detergents at reducing filming on dishes. Using tablets and packs over time will start to reduce or eliminate white film. They are suitable for all water hardness and soil levels. Also, by using a rinse aid, you can minimize repeat buildup of white film (not all packs and tablets contain rinse aid). Always place premeasured detergents in main compartment and close lid.

**NOTE:** Follow instructions on the package when using other dishwasher detergent types. See the complete owners manual for more details about powders, liquids, and gels.

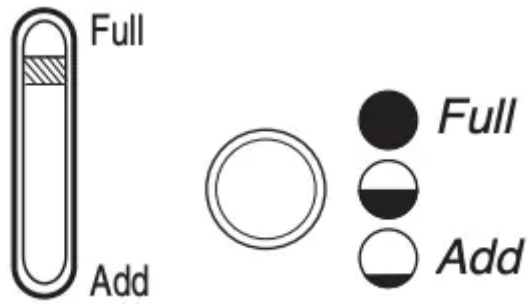
- Use automatic dishwasher detergent only. Add detergent just before starting a cycle.

- Fresh automatic dishwasher detergent results in better cleaning. Store tightly closed detergent container in a cool, dry place.

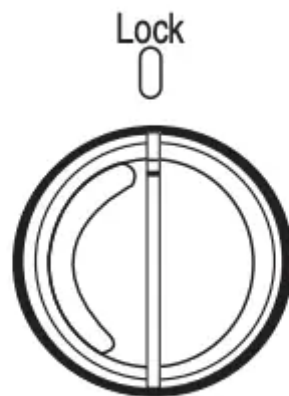


#### **4. Add rinse aid**

- Your dishwasher is designed to use rinse aid for good drying performance. Without rinse aid, your dishes and dishwasher interior will have excessive moisture. The heat dry option will not perform as well without rinse aid.
- Rinse aid keeps water from forming droplets that can dry as spots or streaks. It also improves drying by allowing water to drain off of dishes after final rinse. Rinse aid does not adhere to dishware, and when used, it is dispensed during each cycle.
- Check the rinse aid indicator with the door down (varies by model). Add rinse aid when indicator drops to “Add” level.

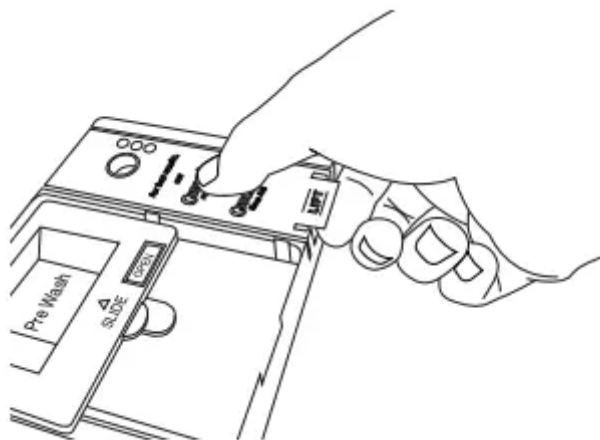


- Add rinse aid to hinged lid style dispenser by twisting the dispenser cap  $\frac{1}{4}$  turn clockwise to open and lift off. Pour rinse aid into the opening until the indicator level is at “Full.” Replace the dispenser cap and turn to “Lock.” Make sure cap is fully locked.

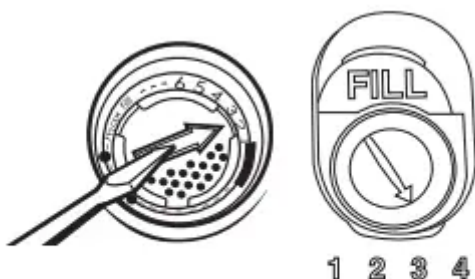


*$\frac{1}{4}$  turn clockwise to lock*

- To add rinse aid to sliding lid style dispenser, open the rinse dispenser lid by 5. Select a cycle (varies by model) Efficient dishwashers run longer to save water and energy, just as driving a car slower saves on gas. Typical cycle time is approximately  $2\frac{1}{2}$  hours, but can take less or more time to complete, depending on selections.



**NOTE:** For most water conditions, the factory setting will give good results. If you are experiencing poor drying performance, you may want to try a higher setting. Turn the arrow adjuster to a higher number to increase the amount of rinse aid.



### **5. Select a cycle (varies by model)**

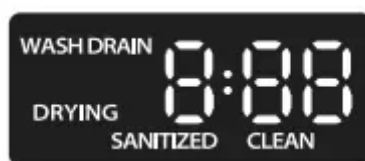
Efficient dishwashers run longer to save water and energy, just as driving a car slower saves on gas. Typical cycle time is approximately 2½ hours, but can take less or more time to complete, depending on selections.

### **6. Select options (varies by model)**

You can customize your cycles by pressing the options desired. If you change your mind, press the option again to turn off the option. Not all options are available for every cycle. If an invalid option is selected for a given cycle, the lights will flash. Adding options may increase the cycle time displayed.

### **7. Follow the progress of your dishwasher**

The fully lit display will glow for wash, drain, drying, sanitized, and clean. It will also display the remaining time for the cycle in hours and minutes. Select the desired cycle by pressing the Cycles button. Each time the Cycles button is pressed, the next available cycle will be displayed.



### **8. Start or resume a cycle**

**NOTE:** Run hot water at the sink nearest your dishwasher until the water is hot. Turn off water.

- If the Start/Resume button is located on top of door; push door firmly closed within 3 seconds of pressing Start/Resume. If door is not closed within 3 seconds, the Start button LED will flash, an audible tone will be heard, and cycle will not start.

**IMPORTANT:** If anyone opens the door (such as, for adding a dish, even during the Delay Hours option), the Start/Resume button must be pressed each time.

- If your Start/Resume button is located on front of door: push door firmly closed. The door latches automatically. Select a wash cycle, options, and press START/RESUME or press START/RESUME to repeat the same cycle and options as in previous wash cycle.gently pushing in the center of the lid with your thumb and pulling up on the edge. Pour rinse aid into the opening until the dispenser is full. Then, close the dispenser by pushing down gently on the lid.

## DISHWASHER CARE

### Cleaning the Dishwasher

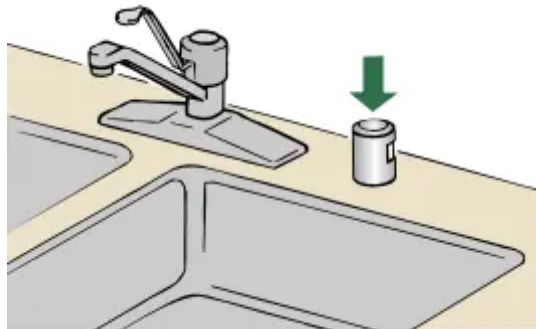
Clean the exterior of dishwasher with a soft, damp cloth and mild detergent. If your dishwasher has a stainless steel exterior, a stainless steel cleaner is recommended - Stainless Steel Cleaner and Polish Part Number 31462A.

**Removal of Hard Water/Filming:** Recommended use of a monthly maintenance product such as affresh® Dishwasher Cleaner Part Number W10282479.

- Load your dishwasher (preferably with dishes affected by filming / hard water).
- Place tablet in main wash compartment of detergent dispenser.
- Select cycle/option best for heavily soiled dishes and start dishwasher.

**NOTE:** Recommended to use a premeasured detergent tablet or pack for regular daily use.

If you have a drain air gap, check and clean it if the dishwasher isn't draining well.



### To Reduce Risk of Property Damage During Vacation or Extended Time Without Use







- When you will not be using the dishwasher during the summer months, turn off the water and power supply to the dishwasher.
- Make sure the water supply lines are protected against freezing conditions. Ice formations in the supply lines can increase water pressure and cause damage to your dishwasher or home. Damage from freezing is not covered by the warranty.
- When storing your dishwasher in the winter, avoid water damage by having your dishwasher winterized by authorized service personnel.




## CYCLE GUIDE

This information covers several different models. Your dishwasher may not have all of the cycles and options described. Estimated cycle times may increase or decrease depending on water temperature, soil conditions, dish load size, and options selected.

CYCLES		ESTIMATED WASH TIME DISPLAYED H:MM W/O OPTIONS	WATER USAGE GALLONS (LITERS)
Sensor ■	The most advanced and versatile cycle. This cycle senses load size, soil amount, and toughness of soil to adjust the cycle for ideal cleaning, using only the amount of water and energy needed. Use for all soil levels.	2:30	3.38 to 7.4 (12.8 to 28.0))
Heavy ■	Use for hard-to-clean, heavily soiled pots, pans, casseroles, and tableware.	3:28	7.4 (28.1)
Normal ■	This cycle with only the Heated Dry option selected, and without other options selected, is recommended to completely wash and dry a full load of normally soiled dishes. The energy usage label is based on this cycle and option combination.	2:32	2.4 to 7.4 (9.09 to 28)
1-Hour Wash ■	For fast results, 1-Hour Wash will clean dishes using more water and energy. Select the Heat Dry option to provide best dry performance. May be used for all soil levels.	1:00	7.87 (29.8)
Soak & Clean ■	This cycle quietly soaks dishes with an extended prewash which eliminates the need to presoak dishes, saving personal time and effort. For optimal cleaning results during the Soak & Clean cycle add prewash detergent. Use this cycle for loads with heavy amounts of dried on or hard to clean baked-on food.	7:31	7.4 (28.0)



	OPTIONS	CAN BE SELECTED WITH	WHAT IT DOES	ADDED TIME TO CYCLE	ADDED WATER GALLONS (LITERS)
	<p>Activates the TargetClean™ spray jets and provides intensified water spray to back of lower level rack.</p> <p>May add heat and time to cycle.</p>	<b>Sensor Heavy Normal Soak &amp; Clean</b>	Raises main wash temperature from 105°F (41°C) to 120°F (49°C).	<b>0:12 to 0:57</b>	<b>0 to 4.8 (0 to 18.2)</b>
	<p>Raises main wash temperature to improve cleaning for loads containing tough, baked-on food.</p>	<b>Sensor Heavy Normal Soak &amp; Clean</b>	Raises the main wash temperature to 135°F (57°C).	<b>0:05 to 0:13</b>	<b>0 to 3.86 (0 to 14.6)</b>
	<p>Sanitizes dishes and glassware in accordance with NSF International NSF/ANSI Standard 184 for Residential Dishwashers. Certified residential dishwashers are not intended for licensed food establishments. Only sanitizing cycles have been designed to meet the requirements of the NSF/ANSI 184 performance standard for soil removal and sanitization efficacy. There is no intention, either directly or indirectly, that all cycles on a NSF/ANSI 184 certified dishwasher meet the NSF/ANSI 184 performance standard for soil removal and sanitization efficacy.</p> <p>Sani Rinse indicator is lit at the end of the cycle if the Sani Rinse option was successfully completed. If indicator does not light, it is probably due to the cycle being interrupted.</p>	<b>Sensor Heavy Normal</b>	Raises the main wash temperature to 135°F (57°C) and the final rinse temperature to 156°F (69°C).	<b>0:05 to 1:06</b>	<b>0 to 3.86 (0 to 14.6)</b>
	<p>Dries dishes with heat. This option, with the use of rinse aid, will provide the best drying performance. Plastic items are less likely to deform when loaded in the top rack. Use Heat Dry for optimum dry performance, Turn the Heat Dry option off for air dry.</p>	<b>Sensor Heavy Normal Soak &amp; Clean</b>	Uses heating element to speed drying times. Heat Dry option defaults to On when any cycle is selected, except for 1- Hour Wash.	<b>0:08 to 0:46</b>	<b>0</b>
	<p>Runs dishwasher at a later time. Select a wash cycle and options. Each time you press the delay button it will display the next available delay time. Press DELAY. Press START/RESUME. Close door firmly.</p> <p><b>NOTE:</b> The dishwasher remembers the last Delay you selected. To reset the delay time to something other than what is displayed, continue to press the Delay button until the desired delay time is reached.</p> <p><b>NOTE:</b> Anytime the door is opened (such as, to add a dish); Start/Resume must be pressed again to resume delay countdown.</p>	<b>Available with any cycle</b>	Delays start of a cycle up to 24 hours.	<b>0:00</b>	<b>0</b>
	<p>Avoids unintended use of dishwasher between cycles or cycle and option changes during a cycle.</p> <p>To turn on Lock, press and hold SANI RINSE/CONTROL LOCK or DELAY (depending on model) for 3 seconds. Control Lock light will stay on for a short time, indicating that it is activated and all buttons are disabled. If you press any button while your dishwasher is locked, light flashes 3 times. Dishwasher door can still be opened/closed while the controls are locked.</p> <p>To turn off Lock, press and hold SANI RINSE/CONTROL LOCK or DELAY (depending on model) for 3 seconds. Light turns off.</p> <p><b>NOTE:</b> If your model requires you to press and hold DELAY to lock controls, Control Locked LED will be on or off to indicate whether Control Lock is active or not.</p>				

Control	Purpose	Comments
	Press to start or resume a wash cycle.	If the door is opened during a cycle or the power is interrupted, the Start/Resume button LED flashes. Cycle will not resume until door is closed and Start/Resume is pressed. <b>NOTE:</b> If Start/Resume button is located on top of door, push door firmly closed within 3 seconds of pressing Start/Resume. If door is not closed within 3 seconds, Start/Resume button LED will flash, an audible tone will be heard (on some top control models), and cycle will not start.
	Press to cancel wash cycle.	If Start/Resume button is located on top of door, press and hold START/RESUME for 3 seconds. Close the door firmly. The dishwasher starts a 2-minute drain (if needed). Let dishwasher drain completely.
	To follow progress of your dishwasher cycle. <b>NOTE:</b> Indicators shown are not available on all models.	The Clean indicator glows when a cycle is finished. If you select Sani Rinse option, when cycle is finished, the "Sanitized" indicator glows. If your dishwasher did not properly sanitize your dishes, the light flashes at the end of the cycle. This can happen if the cycle is interrupted, or water could not be heated to required temperature. The light goes off when you open and close door or press CANCEL.

## DISHWASHER CARE

### Cleaning the Dishwasher

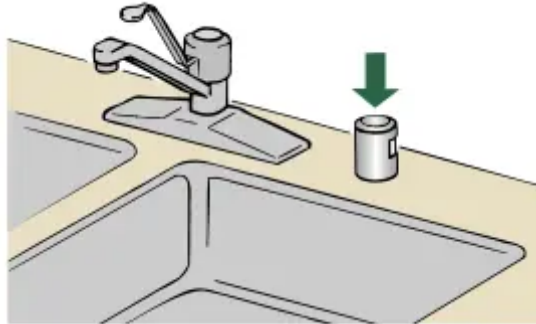
Clean the exterior of dishwasher with a soft, damp cloth and mild detergent. If your dishwasher has a stainless steel exterior, a stainless steel cleaner is recommended - Stainless Steel Cleaner and Polish Part Number 31462A.

**Removal of Hard Water/Filming:** Recommended use of a monthly maintenance product such as affresh® Dishwasher Cleaner Part Number W10282479.

- Load your dishwasher (preferably with dishes affected by filming / hard water).
- Place tablet in main wash compartment of detergent dispenser.
- Select cycle/option best for heavily soiled dishes and start dishwasher.

**NOTE:** Recommended to use a premeasured detergent tablet or pack for regular daily use.

If you have a drain air gap, check and clean it if the dishwasher isn't draining well.



#### **To Reduce Risk of Property Damage During Vacation or Extended Time Without Use**

- When you will not be using the dishwasher during the summer months, turn off the water and power supply to the dishwasher.
- Make sure the water supply lines are protected against freezing conditions. Ice formations in the supply lines can increase water pressure and cause damage to your dishwasher or home. Damage from freezing is not covered by the warranty.
- When storing your dishwasher in the winter, avoid water damage by having your dishwasher winterized by authorized service personnel.

## **TROUBLESHOOTING**

First try the solutions suggested here. If you need further assistance or more recommendations that may help you avoid a service call, refer to the warranty page in this manual and scan the code there with your mobile device, or visit [whirlpool/product\\_help](http://whirlpool/product_help) for recommendations that may help you avoid a service call. In Canada, visit [whirlpool](http://whirlpool).

If you experience	Recommended Solutions
<p><b>Dishwasher does not run or stops during a cycle</b></p>	<p>It is normal for certain cycles to repeatedly pause for several seconds during the main wash. Is the door closed tightly and latched?</p> <p>Is the right cycle selected?</p> <p>Is there power to the dishwasher? Has a household fuse blown, or has a circuit breaker tripped? Replace the fuse or reset the circuit breaker. If the problem continues, call an electrician.</p> <p>Has the motor stopped due to an overload? The motor automatically resets itself within a few minutes. If it does not restart, call for service.</p> <p>Is the water shutoff valve (if installed) turned on?</p>
<p><b>The Clean indicator is flashing</b></p>	<p>Check the following:</p> <ul style="list-style-type: none"> <li>■ Is the overflow protection float able to move up and down freely? Press down to release.</li> <li>■ Be sure the water supply is turned on to the dishwasher. (This is very important following the new installation of your dishwasher.)</li> <li>■ Check for suds in the dishwasher. If foam or suds are detected by the dishwasher sensing system, the dishwasher may not operate properly or may not fill with water.</li> </ul> <p>Suds can come from:</p> <ul style="list-style-type: none"> <li>■ Using the incorrect type of detergent, such as laundry detergent, hand soap, or dish detergent for hand washing dishes.</li> <li>■ Forgetting to replace the rinse aid dispenser cap after filling (or refilling) the rinse aid.</li> <li>■ Using an excessive amount of dishwasher detergent.</li> </ul>



<p><b>Dishes do not dry completely.</b></p>	<p>NOTE: Plastic and items with nonstick surfaces are difficult to dry because they have a porous surface which tends to collect water droplets. Towel drying may be necessary.</p> <p>Use of rinse aid along with Heat Dry option is needed for proper drying.</p> <p>Proper loading of items can affect drying.</p> <p>Glasses and cups with concave bottoms hold water. This water may spill onto other items when unloading.</p> <ul style="list-style-type: none"> <li>■ Unload the bottom rack first.</li> <li>■ For improved results, place these items on the more slanted side of the rack.</li> </ul>
<p><b>Noise</b></p>	<p>NOTE: Common noises:</p> <ul style="list-style-type: none"> <li>■ Surging sounds can occur periodically throughout the cycle while the dishwasher is draining.</li> <li>■ Normal water valve hissing may be heard periodically.</li> <li>■ A normal snap sound may be heard when the detergent dispenser opens during the cycle or when the door is opened at the end of the cycle.</li> <li>■ Improper installation will affect noise levels.</li> </ul> <p>Be sure the filters are properly installed.</p> <p>A thumping sound may be heard if items extend beyond the racks and interfere with the wash arms. Readjust the dishware and resume the cycle.</p>
<p><b>Spotting/Filming</b></p>	<p>Liquid rinse aid is necessary for drying and to reduce spotting.</p> <p>Use the correct amount of detergent.</p> <p>Confirm that the cloudiness is removable by soaking the item in white vinegar for 5 minutes. If the cloudiness disappears, it is due to hard water. Adjust the amount of detergent and rinse aid (see “Dishwasher Care” section in full Use and Care Guide). If it does not come clear, it is due to etching.</p> <p>Be sure the incoming water temperature is set at 120°F (49°C).</p> <p>Try using the High Temp and Sani Rinse options.</p> <p>To remove spotting, run a vinegar rinse through the dishwasher.</p> <ul style="list-style-type: none"> <li>■ Wash and rinse the affected dishware and load into dishwasher. Remove all silverware and metal items. Put 2 cups</li> </ul>



	<p>(500 mL) of white vinegar in a glass measuring cup in the lower rack. Run a normal cycle with the Heat Dry option turned off. No detergent is needed (see “Dishwasher Care” section in full Use and Care Guide).</p>
<p><b>Dishwasher does not clean completely</b></p>	<p>Be sure the dishwasher is loaded correctly. Improper loading can greatly decrease the washing performance (see Operating Your Dishwasher” section).</p> <p>Check filter to ensure it is properly installed. Clean it if needed. (See “Filtration System” in full User Guide for details.) Select the proper cycle for the type of soils. The Sensor Wash or the Heavy Wash cycles can be used for tougher loads. Be sure the incoming water temperature is at least 120°F (49°C).</p> <p>Use the proper amount of fresh detergent. More detergent is needed for heavier-soiled loads and hard water conditions. Scrape food from dishes prior to loading (do not prerinse).</p> <p>If foam or suds are detected by the dishwasher sensing system, the dishwasher may not operate properly or may not fill with water.</p> <p>Suds can come from:</p> <ul style="list-style-type: none"> <li>■ Using the incorrect type of detergent, such laundry detergent, hand soap, or dish detergent for hand washing dishes.</li> <li>■ Not replacing the rinse aid dispenser cap after filling (or refilling) the rinse aid.</li> <li>■ Using an excessive amount of dishwasher detergent.</li> </ul>
<p><b>Dishwasher does not drain</b></p>	<p>Be sure the cycle has been completed (the Clean light is on). If it has not, you will need to resume the cycle by closing the door and pressing START/RESUME.</p> <p>If dishwasher is connected to a food waste disposer, be sure the knockout plug has been removed from the disposer inlet. Check for kinks in the drain hose.</p> <p>Check for food obstructions in the drain or disposer.</p> <p>Check your house fuse or circuit breaker.</p>

**Warning**



This content is compiled from multiple sources and is provided for reference purposes only. It may not be complete or fully applicable to all situations. If you are unable to resolve your issue, please contact the product manufacturer or an authorized service provider for official support.

---

Document generated by [ManualsFile](#)