

# MAYTAG PERFORMANCE SERIES FRONT-LOADING AUTOMATIC WASHER USE & CARE GUIDE

## WASHER SAFETY

Your safety and the safety of others are very important.

We have provided many important safety messages in this manual and on your appliance. Always read and obey all safety messages.

This is the safety alert symbol. This symbol alerts you to potential hazards that can kill or hurt you and others. All safety messages will follow the safety alert symbol and either the word "DANGER" or "WARNING." These words mean:

**DANGER:** You can be killed or seriously injured if you don't immediately follow instructions.

**WARNING:** You can be killed or seriously injured if you don't follow instructions.

All safety messages will tell you what the potential hazard is, tell you how to reduce the chance of injury, and tell you what can happen if the instructions are not followed.

## IMPORTANT SAFETY INSTRUCTIONS

**WARNING:** To reduce the risk of fire, electric shock, or injury to persons when using the washer, follow basic precautions, including the following:

- Read all instructions before using the washer.
- Do not wash articles that have been previously cleaned in, washed in, soaked in, or spotted with gasoline, dry-cleaning solvents, other flammable, or explosive substances as they give off vapors that could ignite or explode.
- Do not add gasoline, dry-cleaning solvents, or other flammable, or explosive substances to the wash water. These substances give off vapors that could ignite or explode.
- Under certain conditions, hydrogen gas may be produced in a hot water system that has not been used for 2 weeks or more. **HYDROGEN GAS IS EXPLOSIVE.** If the hot water system has not been used for such a period, before using the washing machine, turn on all hot water faucets and let the water flow from each for several minutes. This will release any accumulated hydrogen gas. As the gas is flammable, do not smoke or use an open flame during this time.
- Do not allow children to play on or in the washer. Close supervision of children is necessary when the washer is used near children.
- Before the washer is removed from service or discarded, remove the door or lid.
- Do not reach into the washer if the drum, tub or agitator is moving.
- Do not install or store the washer where it will be exposed to the weather.

- Do not tamper with controls.
- Do not repair or replace any part of the washer or attempt any servicing unless specifically recommended in this manual or in published user-repair instructions that you understand and have the skills to carry out.
- See "Electrical Requirements" for grounding instructions.

State of California Proposition 65 Warnings:

WARNING: This product contains a chemical known to the State of California to cause cancer.

WARNING: This product contains a chemical known to the State of California to cause birth defects or other reproductive harm.

## INSTALLATION REQUIREMENTS

### Tools and Parts

Gather the required tools and parts before starting installation. The parts supplied are in the washer drum.

#### Tools needed for connecting the water inlet hoses:

- Pliers (that open to 1-9/16" [39.5 mm])
- Flashlight (optional)

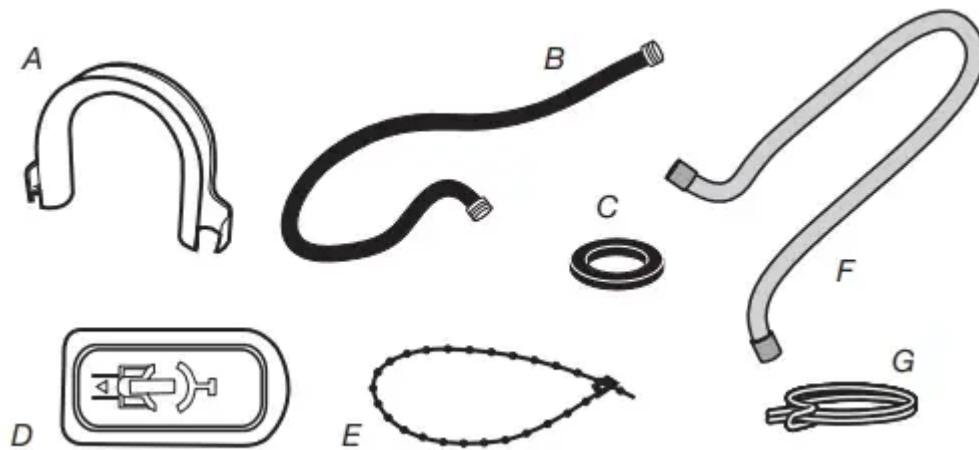
#### Tools needed for connecting the drain hose:

- Locking pliers (that open to 1-9/16" [39.5 mm])

#### Tools needed for installation:

- Open end wrenches 17 mm and 13 mm
- Level
- Wood block
- Ruler or measuring tape

#### Parts supplied:



- A. Drain hose form
- B. Inlet hose (2)
- C. Inlet hose washers (4)
- D. Transport bolt hole plug (4)
- E. Beaded strap
- F. Drain hose
- G. Hose clamp

**Alternate Parts**

Your installation may require additional parts. If you are interested in purchasing one of the items listed here, call the toll-free number on the cover or in the "Assistance or Service" section.

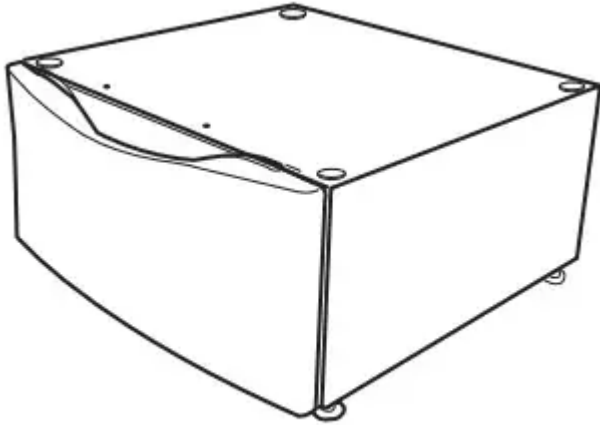
| If You Have                                      | You Will Need to Buy   |
|--|--|
| Laundry tub or standpipe taller than 96" (2.4 m) | Sump pump system (if not already available)  |
| Overhead sewer                                   | Standard 20 gal. (76 L), 30" (762 mm) tall drain tub or utility sink and sump pump (available from local plumbing suppliers) |
| Floor drain                                      | Siphon break, Part Number 285834; additional drain hose Part Number 8318155; and connector kit, Part Number 285835           |
| Drain hose too short                             | 4 ft (1.2 m) drain hose extension kit, Part Number 285863  |
| Water faucets beyond reach of fill hoses         | 2 longer water fill hoses: 6 ft (1.8 m) Part Number 76314, 10 ft (3.0 m) Part Number 350008                                  |



## Options

### Pedestal

A pedestal will add to the total height of the washer for a total height of 53.5" (1359 mm).



*Optional pedestal*

This pedestal is available in several colors. To order, call the dealer from whom you purchased your washer or refer to the "Assistance or Service" section.

| Pedestal Height | Color       | Part Number |
|-----------------|-------------|-------------|
| 10" (254 mm)    | White       | MHP1000SQ   |
| 10" (254 mm)    | Black       | MHP1000SB   |
| 15.5" (394 mm)  | White       | XHP1550VW   |
| 15.5" (394 mm)  | Black       | XHP1550VB   |
| 15.5" (394 mm)  | Slate       | XHP1550VE   |
| 15.5" (394 mm)  | Crimson Red | XHP1550VF   |
| 15.5" (394 mm)  | Oxide       | XHP1550VJ   |
| 15.5" (394 mm)  | Evergreen   | XHP1550VP   |

### Stack Kit

Are you planning to stack your Maytag washer and dryer? To do so you will need to purchase a Stack Kit. To order, call the dealer from whom you purchased your dryer or refer to the "Assistance or Service" section. Ask for Part Number 8212640.

## Location Requirements

Selecting the proper location for your washer improves performance and minimizes noise and possible washer "walk."

Your washer can be installed under a custom counter, or in a basement, laundry room, closet, or recessed area. See "Drain System." Companion appliance location requirements should also be considered. Proper installation is your responsibility.

### You will need:

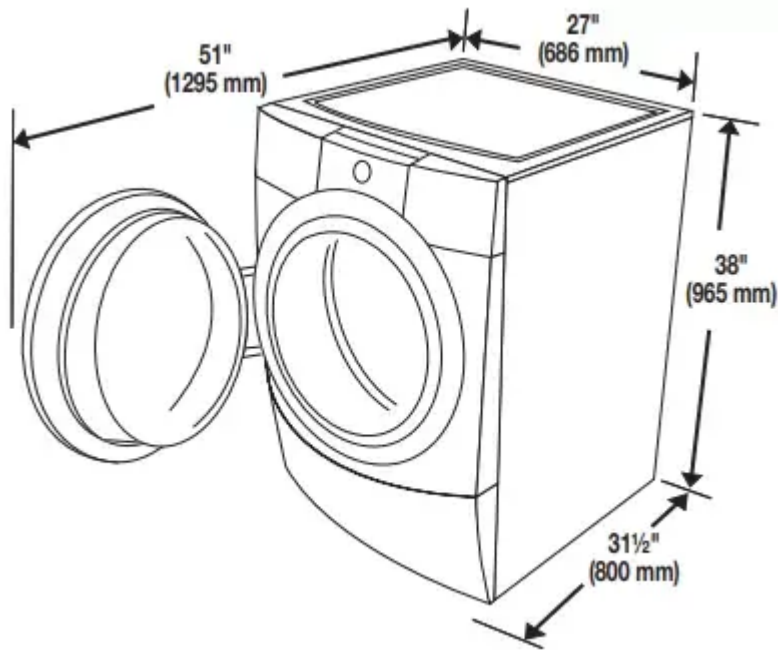
- A water heater set to deliver 120°F (49°C) water to the washer.
- A grounded electrical outlet located within 6 ft (1.8 m) of where the power cord is attached to the back of the washer. See "Electrical Requirements."
- Hot and cold water faucets located within 4 ft (1.2 m) of the hot and cold water fill valves, and water pressure of 20-100 psi (137.9-689.6 kPa).
- A level floor with a maximum slope of 1" (25 mm) under entire washer. Installing the washer on soft floor surfaces, such as carpets or surfaces with foam backing, is not recommended.
- A sturdy and solid floor to support the washer with a total weight (water and load) of 400 lbs (180 kg).

Do not operate your washer in temperatures below 32°F (0°C). Some water can remain in the washer and can cause damage in low temperatures.

### Installation clearances

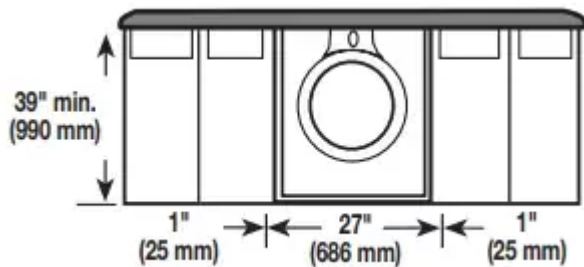
- The location must be large enough to allow the washer door to be fully opened.
- Additional spacing should be considered for ease of installation and servicing.
- Additional clearances might be required for wall, door, and floor moldings.
- Additional spacing of 1" (25 mm) on all sides of the washer is recommended to reduce noise transfer.
- Companion appliance spacing should also be considered.

## Washer Dimensions



### Recommended installation spacing for custom undercounter installation

The dimensions shown are for the recommended spacing. Custom undercounter installation - Washer only

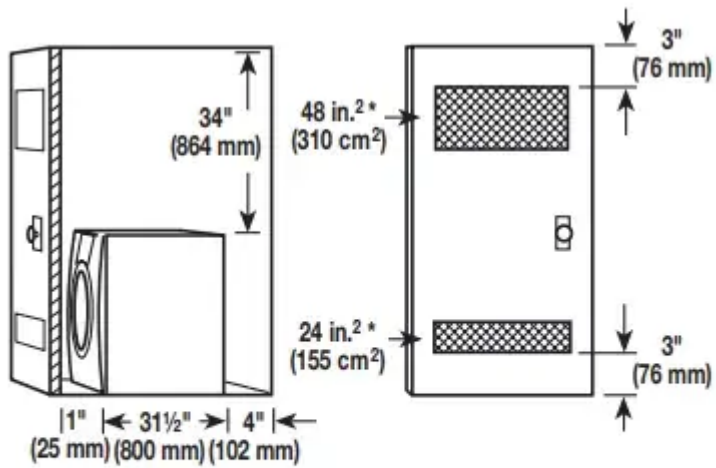


### Recommended installation spacing for recessed or closet installation, with or without a pedestal

The dimensions shown are for the recommended spacing.

Recessed area or closet installation:



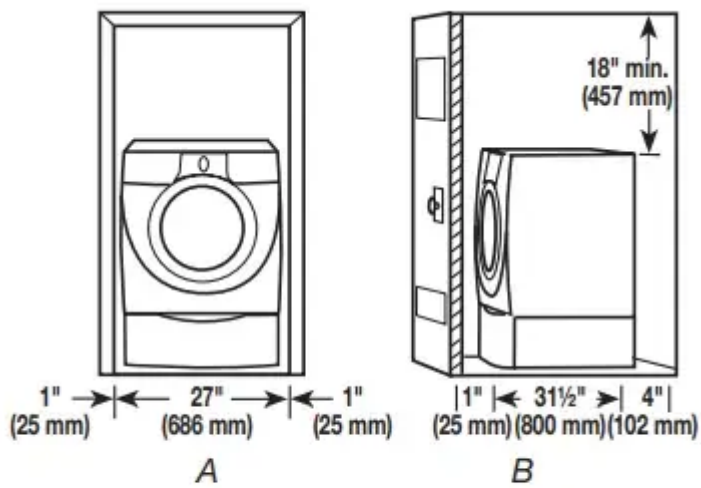


A

B

A. Side view - closet or confined area  
 B. Closet door with vents

Recessed or closet installation - Washer on pedestal:



A

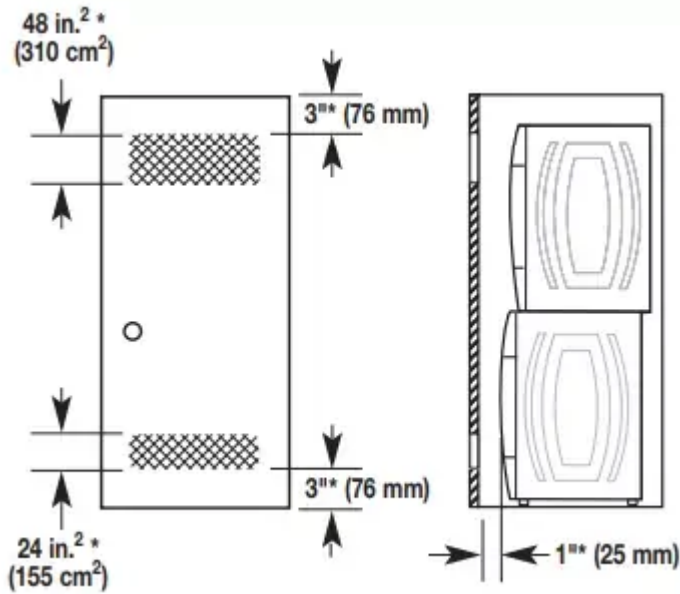
B

A. Recessed area  
 B. Side view - closet or confined area

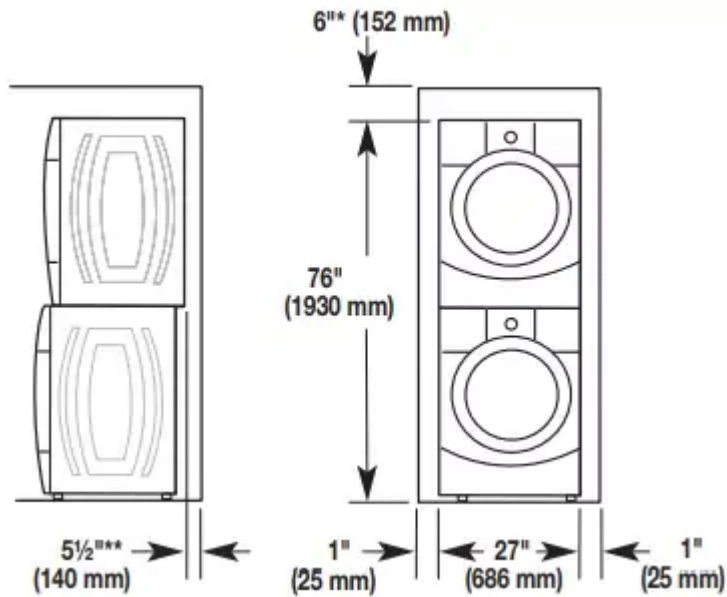


**Recommended installation spacing for recessed or closet installation, with stacked washer and dryer**

The dimensions shown are for the recommended spacing.



\*Required spacing



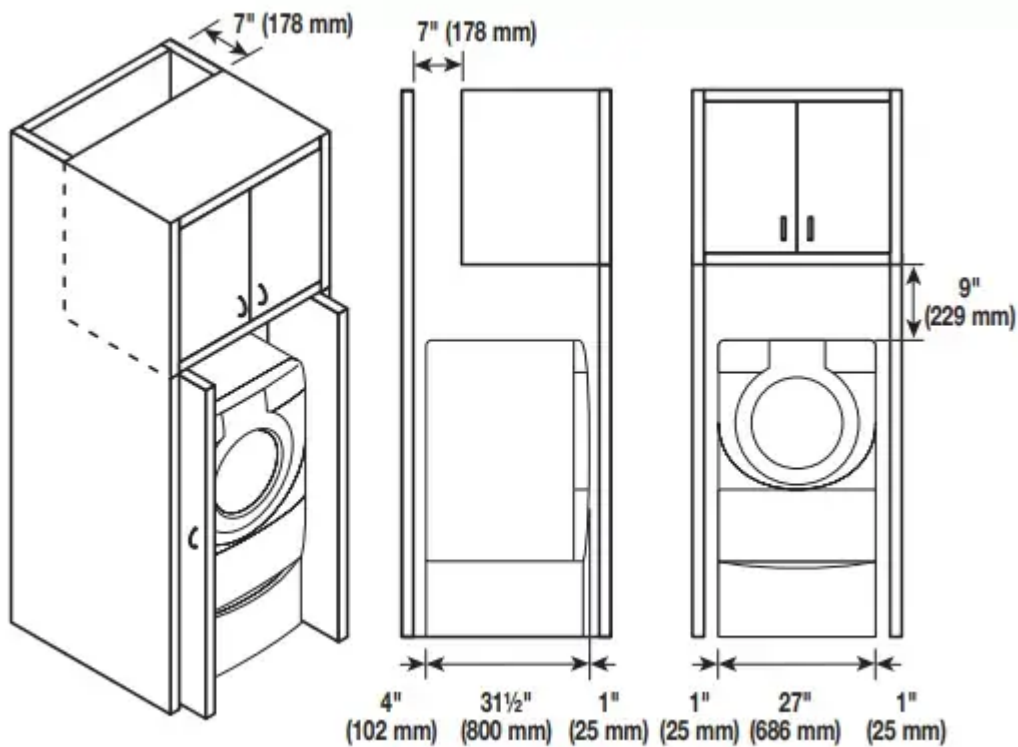
\*Required spacing

\*\*For venting out the side, 1" (25 mm) spacing is allowed.

**Recommended installation spacing for cabinet installation**

- The dimensions shown are for the recommended spacing.
- For cabinet installation, with a door, the minimum ventilation openings in the top are required.



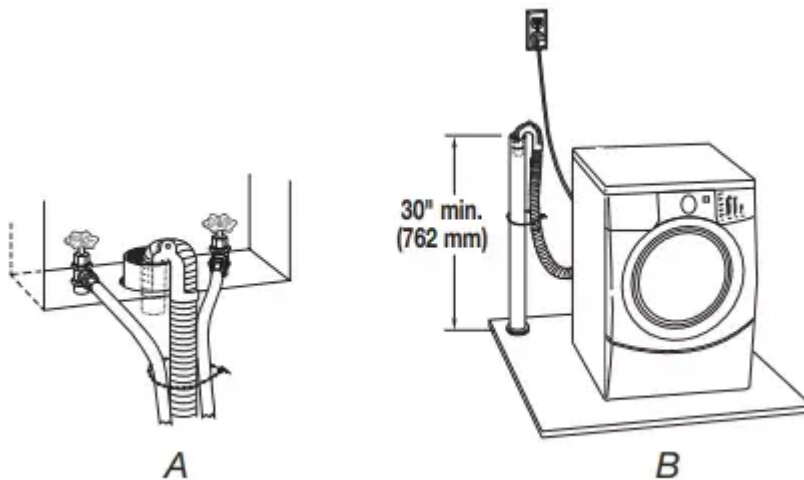


## Drain System

The washer can be installed using the standpipe drain system (floor or wall), the laundry tub drain system, or the floor drain system. Select the drain hose installation method you need. See "Tools and Parts."

### Standpipe drain system - wall or floor (views A & B):

The standpipe drain requires a minimum diameter standpipe of 2" (50 mm). The minimum carry-away capacity can be no less than 17 gal. (64 L) per minute. The top of the standpipe must be at least 30" (762 mm) high and no higher than 96" (2.4 m) from the bottom of the washer.

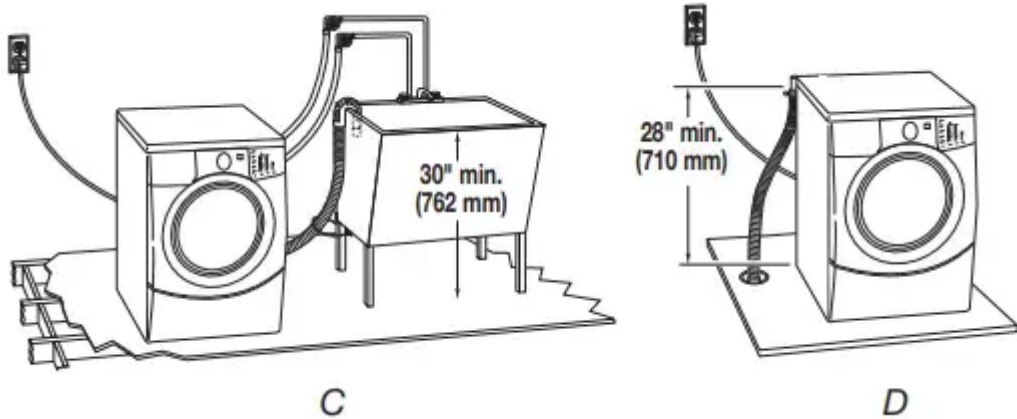


### Laundry tub drain system (view C):


The laundry tub needs a minimum 20 gal. (76 L) capacity. The top of the laundry tub must be at least 30" (762 mm) above the floor.

**Floor drain system (view D):**

The floor drain system requires a siphon break that may be purchased separately. See "Tools and Parts." The siphon break must be a minimum of 28" (710 mm) from the bottom of the washer. Additional hoses might be needed.



**Electrical Requirements**

|   |
|---|
| <p><b>⚠ WARNING</b></p>    |
| <p><b>Electrical Shock Hazard</b></p> <p>Plug into a grounded 3 prong outlet.</p> <p>Do not remove ground prong.</p> <p>Do not use an adapter.</p> <p>Do not use an extension cord.</p> <p>Failure to follow these instructions can result in death, fire, or electrical shock.</p> |

- A 120 volt, 60 Hz., AC only, 15- or 20-amp, fused electrical supply is required. Time-delay fuse or circuit breaker is recommended.
- It is recommended that a separate circuit serving only this appliance be provided.
- This washer is equipped with a power supply cord having a 3 prong grounding plug.
- To minimize possible shock hazard, the cord must be plugged into a mating, 3 prong, grounding-type outlet, grounded in accordance with local codes and ordinances. If a



mating outlet is not available, it is the personal responsibility and obligation of the customer to have the properly grounded outlet installed by a qualified electrician.

- If codes permit and a separate ground wire is used, it is recommended that a qualified electrician determine that the ground path is adequate.
- Do not ground to a gas pipe.
- Check with a qualified electrician if you are not sure the washer is properly grounded.
- Do not have a fuse in the neutral or ground circuit.

## **GROUNDING INSTRUCTIONS**

For a grounded, cord-connected washer: This washer must be grounded. In the event of a malfunction or breakdown, grounding will reduce the risk of electrical shock by providing a path of least resistance for electric current. This washer is equipped with a cord having an equipment-grounding conductor and a grounding plug. The plug must be plugged into an appropriate outlet that is properly installed and grounded in accordance with all local codes and ordinances.

**WARNING:** Improper connection of the equipment-grounding conductor can result in a risk of electric shock. Check with a qualified electrician or serviceman if you are in doubt as to whether the appliance is properly grounded. Do not modify the plug provided with the appliance - if it will not fit the outlet, have a proper outlet installed by a qualified electrician.

For a permanently connected washer: This washer must be connected to a grounded metal, permanent wiring system, or an equipment grounding conductor must be run with the circuit conductors and connected to the equipment-grounding terminal or lead on the appliance.

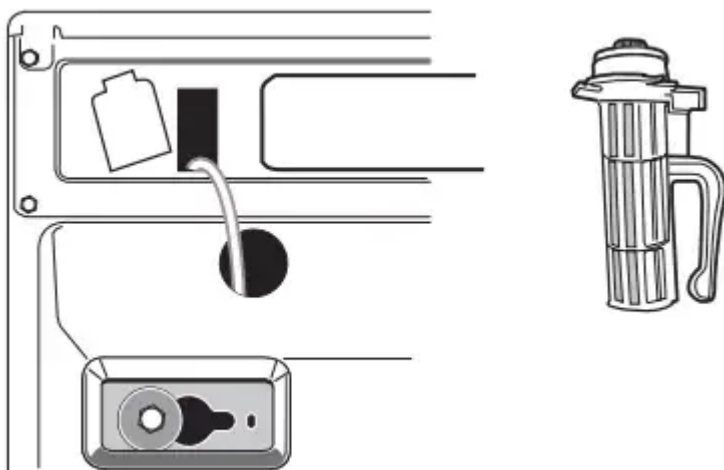
## **INSTALLATION INSTRUCTIONS**

### **Remove Transport System**

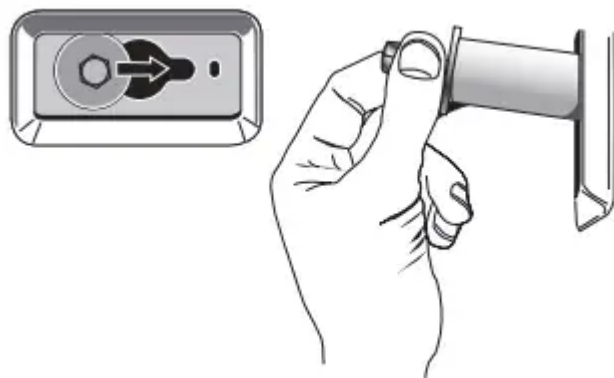
**WARNING:** Use two or more people to move and install washer. Failure to do so can result in back or other injury.

**IMPORTANT:** Position the washer so that the rear of the washer is within approximately 3 ft (900 mm) of its final location.

There are 4 bolts in the rear panel of the washer that support the suspension system during transportation. These bolts also retain the power cord inside the washer until the bolts are removed.



1. Using a 13 mm wrench, loosen each of the bolts.
2. Once the bolt is loose, move it to the center of the hole and completely pull out the bolt, including the plastic spacer covering the bolt.

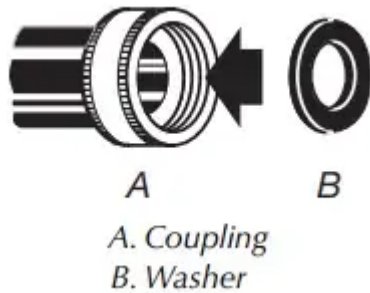


3. Once all 4 bolts are removed, discard bolt and spacers. Then pull the power cord through the opening of the rear panel and close the hole with the attached cap.
4. Close the bolt holes with the 4 transport bolt hole plugs.

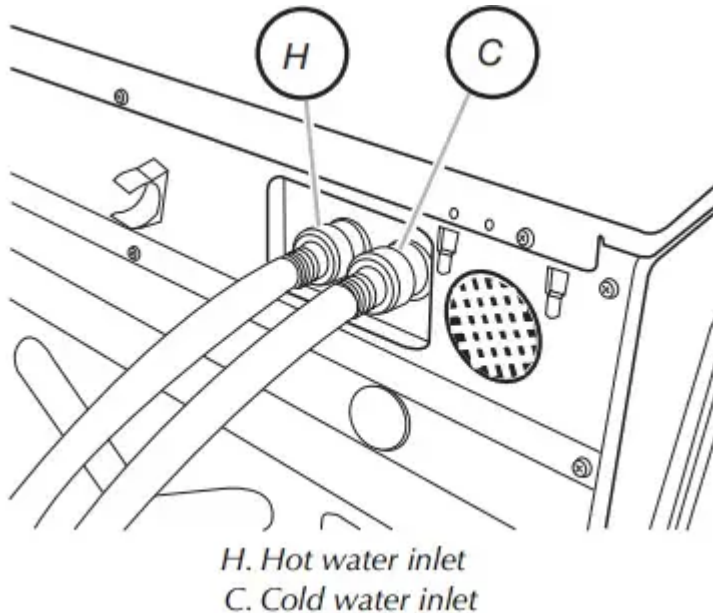
NOTE: If the washer is to be transported at a later date, call your local service center. To avoid suspension and structural damage to your washer, it must be properly set up for relocation by a certified technician.

## Connect the Inlet Hoses

1. Insert new flat washers (supplied) into each end of the inlet hoses. Firmly seat the washers in the couplings.

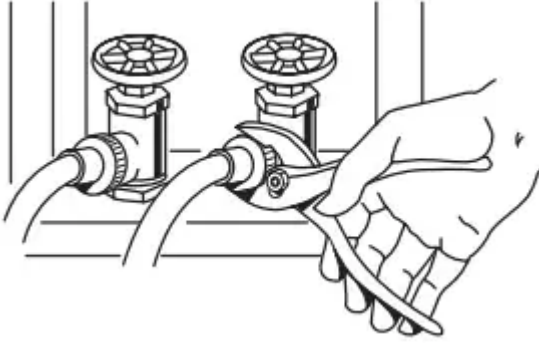


2. Make sure the washer drum is empty.
3. Attach the hose with the red color indicator to the Hot (left) inlet valve. Attaching the red coupling first makes it easier to tighten connection with pliers. Screw on coupling by hand until it is seated on the washer.
4. Attach the hose with the blue color indicator to the Cold (right) water inlet valve. Screw on coupling by hand until it is seated on the washer.



5. Using pliers, check the tightness of the hose couplings already attached to the washer.  
NOTE: Do not overtighten. Damage to the coupling can result.
6. Attach hot water hose to the hot water faucet. Screw on coupling by hand until it is seated on the washer.
7. Attach cold water hose to the cold water faucet. Screw on coupling by hand until it is seated on the washer.

- Using pliers, tighten the couplings with an additional two-thirds turn.



NOTE: Do not overtighten. Damage to the coupling can result.

- Turn on the water faucets and check for leaks.

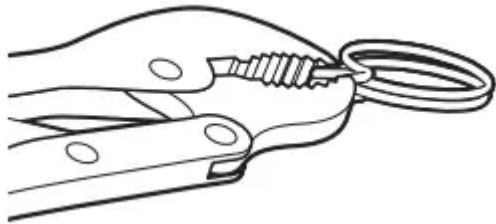
NOTE: Replace inlet hoses after 5 years of use to reduce the risk of hose failure. Record hose installation or replacement dates on the hoses for future reference.

- Periodically inspect and replace hoses if bulges, kinks, cuts, wear, or leaks are found.

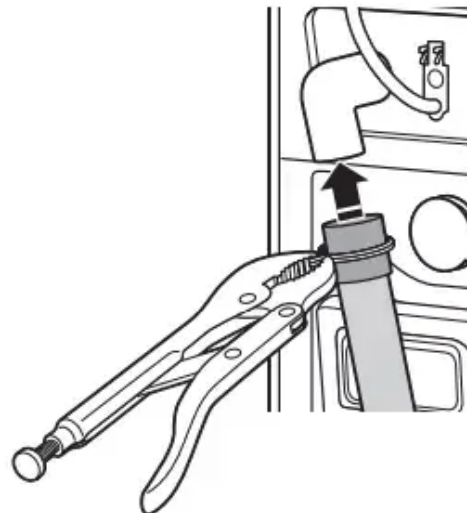
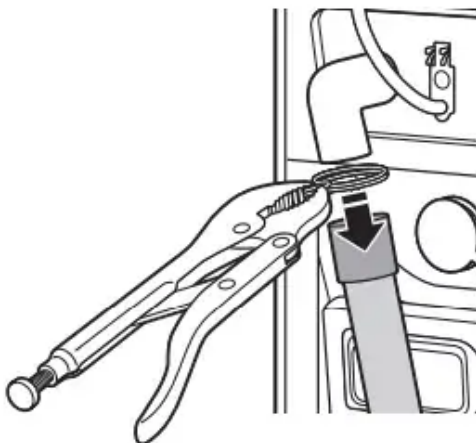
## Connect the Drain Hose

### Remove drain hose from washer drum:

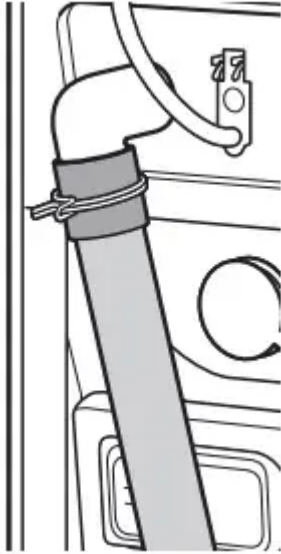
- Use locking pliers, squeeze hose clamp tabs together and insert over the end of drain hose.



- Slide drain hose onto washer connection.



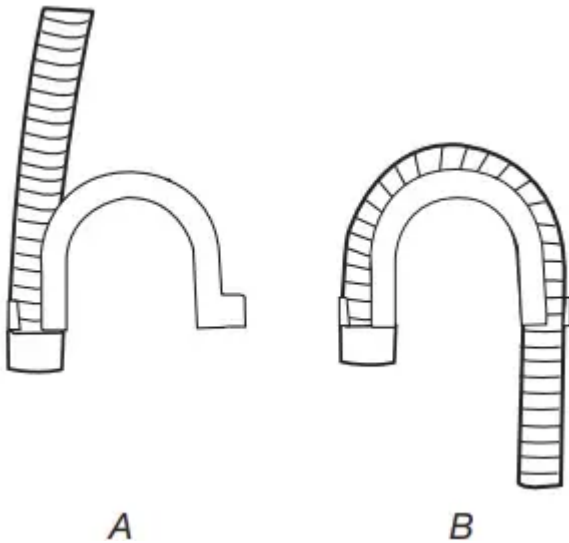
3. Once drain hose is in place, release pliers.



4. Washer drain system can be installed using a floor drain, wall standpipe, floor standpipe, or laundry tub.

#### **Laundry tub drain or standpipe drain**

Connect the drain hose form to the corrugated drain hose.



*A. Snap either end of the drain hose form to the drain hose at the point where the corrugation begins.*

*B. Bend drain hose over drain hose form and snap into place.*

To keep drain water from going back into the washer:

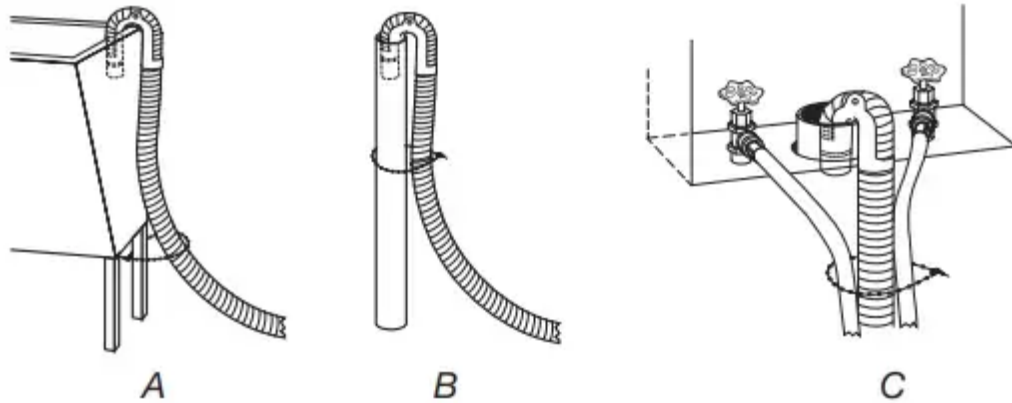
- Do not straighten the drain hose, and do not force excess drain hose into standpipe. Hose should be secure, but loose enough to provide a gap for air.
- Do not lay excess hose on the bottom of the laundry tub.

**Floor drain:**

You may need additional parts. See Floor drain under "Tools and Parts."

## Secure the Drain Hose

1. Drape the power cord over the washer top.
2. Secure the drain hose to the laundry tub leg or standpipe with the beaded strap provided. (See illustrations A and B).



If

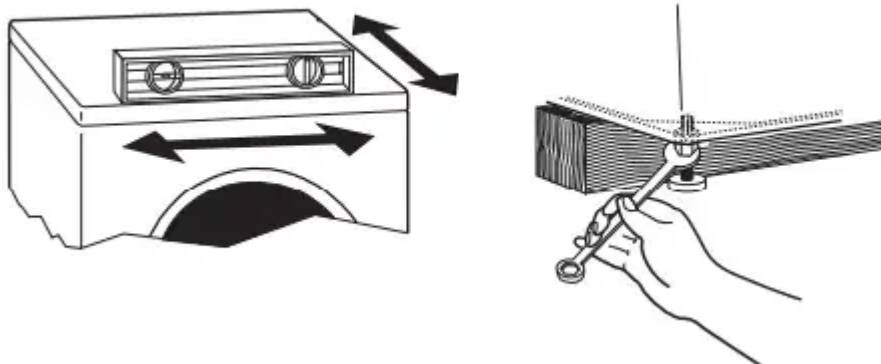
the washer faucets and the drain standpipe are recessed (see illustration C), put the hooked end of the drain hose in the standpipe. Tightly wrap the beaded strap around the water inlet hoses and the drain hose.

Do not force excess drain hose into the standpipe.

## Level the Washer

Proper leveling of the washer prevents excessive noise and vibration.

1. Check the levelness of the washer by placing a level on the top edge of the washer, first side to side, then front to back.




If the washer is against a wall, move the washer out slightly before tipping back. If the washer is not level, first prop the front with a wood block and adjust the feet as necessary; then prop the back and adjust feet as necessary. Repeat this step until washer is level.

2. Make sure all four feet are stable and resting on the floor. Then check that the appliance is perfectly level (use a level).
3. After the washer is level, use a 17 mm open-end wrench to turn the nuts on the feet tightly against the washer cabinet.  
IMPORTANT: All four feet must be tightened. If the nuts are not tight against the washer cabinet, the washer may vibrate.
4. The washer should not move front to back, side to side, or diagonally when pushed on its top edges.
5. Slide the washer to its final location.
6. Confirm the levelness of the washer.

### Complete Installation

1. Check the electrical requirements. Be sure that you have the correct electrical supply and the recommended grounding method. See "Electrical Requirements."
2. Check that all parts are now installed. If there is an extra part, go back through the steps to see which step was skipped.
3. Check that you have all of your tools.
4. Dispose of/recycle all packaging materials.
5. Check that the water faucets are on.
6. Check for leaks around faucets and inlet hoses.

**⚠ WARNING**



**Electrical Shock Hazard**

**Plug into a grounded 3 prong outlet.**

**Do not remove ground prong.**

**Do not use an adapter.**

**Do not use an extension cord.**

**Failure to follow these instructions can result in death, fire, or electrical shock.**

7. Plug into a grounded 3 prong outlet.
8. Read "Washer Use."
9. To test and clean your washer, make sure there are no clothes in the washer and add one AFFRESH™ tablet to the washer drum. Select POWER/CANCEL, the Clean Washer cycle, and then select START/PAUSE. This cycle will take approximately 50 minutes to complete. Allow the washer to complete the entire Clean Washer Cycle without interruption.

## **FEATURES AND BENEFITS**

### **Electronic Controls**

Flexible electronic controls are easy to use whether you are a beginner or an expert.

### **Smart Dispensers**

The Smart Dispensers make your washer truly automatic. This washer provides a three-compartment dispenser which includes separate compartments for main wash detergent, fabric softener, and chlorine bleach. The dispenser has large pour zones. The dispenser is self-cleaning, and can be easily removed. Laundry products are diluted with fresh water and added to the load at the proper time in the wash cycle.

### **Clean Washer with AFFRESH™ Cycle**

This cycle uses steam to raise the temperature of the unit and makes the washer self-cleaning, flushing the machine's interior free of dirt and other residue. The use of AFFRESH™ washer cleaner or liquid chlorine bleach with this cycle will remove and help avoid odor-causing residue.

### **Auto Water Level**

This washer automatically adjusts water level for optimal cleaning and rinsing performance. Two sensors determine load size, load composition, and suds level, then the sensors adjust the water level to the proper setting. This eliminates guesswork. The water level is just right for every wash load size.

### **Super Size Capacity**

Since there is no agitator, you can wash larger, bulkier items such as a king-sized bedspread. You are also able to wash more clothes at one time, which means fewer loads.

### **Smooth Balance™ Balance System**

To reduce washer "walk" and "off-balance" conditions, your new washer combines: 2 Springs to isolate vibration, 4 Shock absorbers at the washer base to minimize movement.

## **Commercial Quality Stainless Steel Drum**

The commercial quality stainless steel drum eliminates corrosion and enables higher spin speeds for more water extraction, reducing drying time compared to traditional front-load washers.

## **High-Efficiency Wash System**

Your new front-loading, high-efficiency washer saves time with fewer, larger loads, and lowers your water and energy bills by helping conserve resources.

## **Spin Speeds**

This washer automatically selects the spin speed based on the cycle selected. This factory setting can be changed, however. This washer offers up to five different spin speed choices.

## **Heating Element**

This washer has a heating element that automatically heats the water to the optimal temperature on select cycles. This enables stepped cleaning, a process in which warm water is brought in and mixed with detergent first, then the water is heated. Stepped cleaning starts the wash cycle with warm water to help remove stains (such as blood and grass). This heater is active in the Whitest Whites, Heavy Duty, and Normal/Casual cycles.

## **Automatic Temperature Control**

The automatic temperature control electronically senses and maintains a uniform water temperature. Automatic temperature control regulates incoming hot and cold water. Automatic temperature control is automatically turned on when a cycle is selected.

## **Add Clothes**

Clothes can be added to the load during the first 8 minutes of the cycle. During this time, the Status Indicator will indicate it is okay to add clothes.

## **Special Cleaning Action with Sensi-Care™ Wash System**

This washer channels 100% of the water through the dispensers to assure thorough rinse-out and mixture of all the laundry products before they touch any garments. The water is then sprayed from the top front onto the center of the load, providing even distribution, and optimum cleaning performance. It is normal for small amounts of water to remain in the dispensers when the wash cycle is complete.

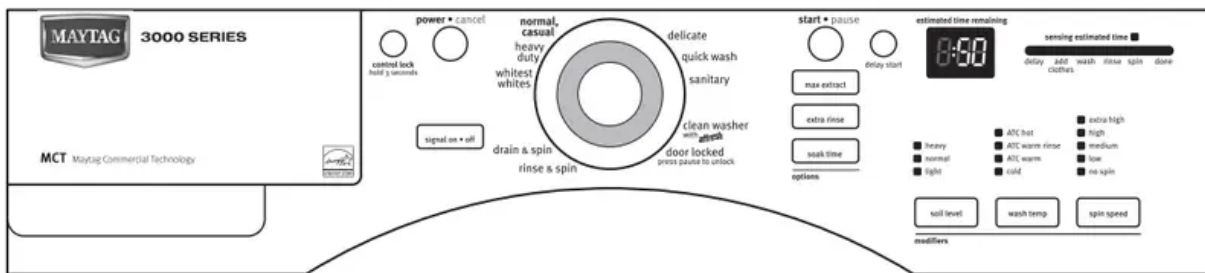
## Efficient Detergent System

This washer has a specially designed valve that closes during the wash portion of the cycle so that 100% of the water and detergent mixture is used on the load. The Efficient Detergent System ensures that no water or detergent is wasted.

## Dynamic Off-Balance Detection

This washer uses two sensors to detect load size and the amount of off-balance within the load. The suspension system and controls are specially designed to redistribute the load automatically.

## WASHER USE



NOTE: The panel shown above may be different from that of your model.

## Starting Your Washer

**WARNING:** To reduce the risk of fire, electric shock, or injury to persons, read the **IMPORTANT SAFETY INSTRUCTIONS** before operating this appliance.

The following is a guide to using your washer. Please refer to specific sections of this manual for more detailed information.

Do not store laundry products on the top surface of this washer. Vibration is normal during operation.

## Using the Proper Detergent

Use only High Efficiency detergents. The package for this type of detergent will be marked "HE" or "High Efficiency." This wash system, along with less water, will create too much sudsing with a regular non-HE detergent. Using regular detergent will likely result in washer errors, longer cycle times, and reduced rinsing performance. It may also result in component failures and noticeable mold or mildew. HE detergents are made to produce the right amount of suds for the best performance. Follow the manufacturer's instructions to determine the amount of detergent to use. Remember, concentrated detergents such as 2x or higher will use less detergent based on load size.



*Use only HE High Efficiency detergent.*

### **First Wash Cycle Without Laundry**

Before washing clothes for the first time, if not completed during the final installation step, choose the Normal/Casual cycle and run it without clothes. Use only HE High Efficiency detergent. Use 1/2 the manufacturer's recommended amount for a medium-size load. This initial cycle serves to ensure the interior is clean before washing clothes.

### **For All Wash Cycles**

1. Open the washer door by pulling on the handle. Sort laundry according to color and type of fabric. Place a load of sorted clothes in the washer. Do not overload washer. Overloading can cause poor cleaning.
  - The washer can be fully loaded, but not tightly packed. Washer door should close easily.
  - Mix large and small items and avoid washing single items. Load evenly.
  - It is recommended that you wash small items such as infant socks in a mesh garment bag.
  - When unloading garments, occasionally check under the gray colored seal at the front of the tub for small items.
2. Close the washer door by pushing it firmly until the lock clicks. The washer door will remain locked during the wash cycle.

NOTE: After any wash cycle is completed, the door must be opened and then closed before a new cycle can begin. The door can be opened only if START/PAUSE or POWER/CANCEL is selected while the status indicator is in the Add Clothes area or if the cycle has been canceled. See "To cancel a cycle" in Changing Cycles, Options, and Modifiers section.
3. Open the dispenser drawer and add laundry products to the main wash detergent, chlorine bleach, or fabric softener compartments. Close drawer slowly to avoid spills. See "Using the Dispenser."
4. Turn on the washer by selecting POWER/CANCEL. Select one of the cycles by turning the cycle selector. The indicator light for the selected cycle will illuminate. When selecting a wash cycle, the preset Options, Wash Temp, Spin Speed, and Soil Level for the selected cycle will illuminate. The display shows the estimated time remaining. The

preset settings provide the recommended fabric care for the selected cycle. See "Cycles."

5. Select the desired Options, such as Max Extract™, Extra Rinse, and Soak Time. Not all options are available with all cycles. See "Options."
6. Select the desired Modifiers, such as Soil Level, Wash Temp, and Spin Speed. Not all modifiers are available with all cycles and options. See "Modifiers."
7. If desired, select SIGNAL ON/OFF. The signal is helpful when you are washing items that should be removed from the washer as soon as it stops.
8. To begin the wash cycle immediately, select START/PAUSE.
  - If you do not select START/PAUSE within 60 minutes of choosing a cycle, the washer automatically shuts off.
  - When the wash cycle is complete, the status indicator shows Done, the door unlocks, and the wash load can be removed from the washer. The washer powers down automatically 5 minutes after the cycle is complete. To power down the washer manually after the wash cycle is complete, select POWER/CANCEL once.

## Using the Dispenser

Your new washer has a dispenser drawer with three separate compartments for your laundry products—one is for detergent, one is for liquid chlorine bleach, and one is for liquid fabric softener. Laundry products are diluted and dispensed automatically at the proper time during the wash cycle, making it unnecessary for you to return to the washer during the cycle to add them.

It is normal for small amounts of water to remain in the dispensers when the wash cycle is complete.

Do not put laundry products directly into the wash tub. Always use the proper dispensers when adding laundry products.

## Choosing the Right Detergent

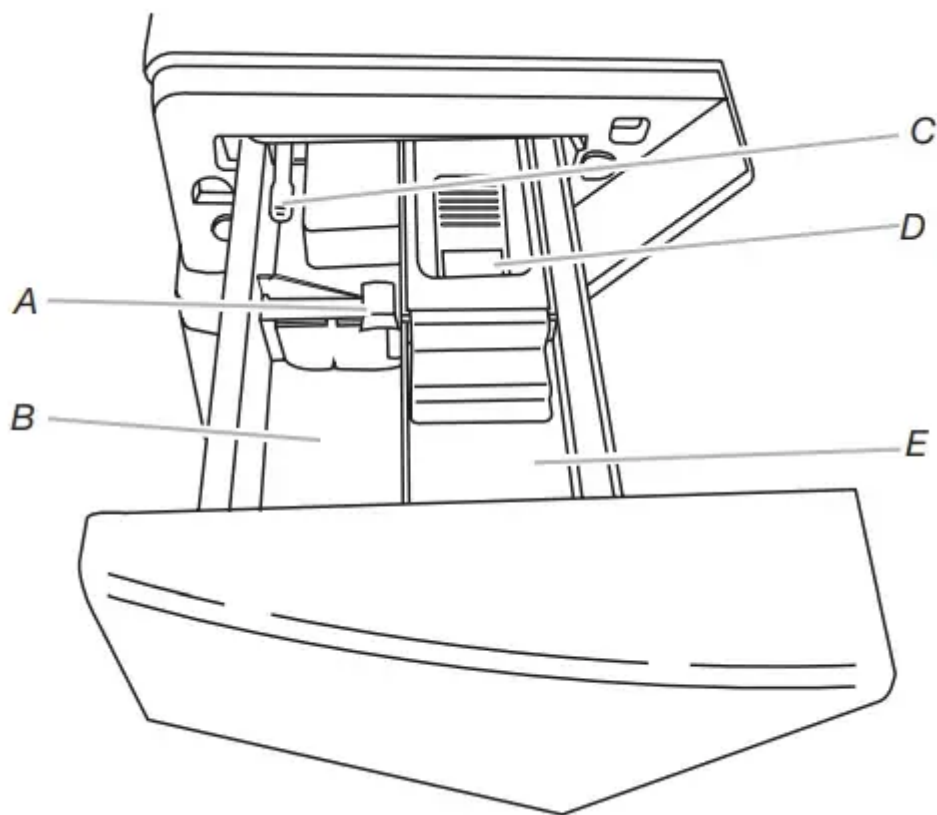
Use only High Efficiency detergents. The package for this type of detergent will be marked "HE" or "High Efficiency." This wash system, along with less water, will create too much sudsing with a regular non-HE detergent. Using regular detergent will likely result in washer errors, longer cycle times, and reduced rinsing performance. It may also result in component failures and noticeable mold or mildew. HE detergents are made to produce the right amount of suds for the best performance. Follow the manufacturer's instructions to determine the amount of detergent to use. Remember, concentrated detergents such as 2x or higher will use less detergent based on load size.



*Use only HE High Efficiency detergent.*

### To fill dispenser compartments

1. Pull out the dispenser drawer.
2. Add the desired laundry product to the proper compartment.
3. Push in the dispenser drawer slowly and completely (to avoid a spill).



*Dispenser*

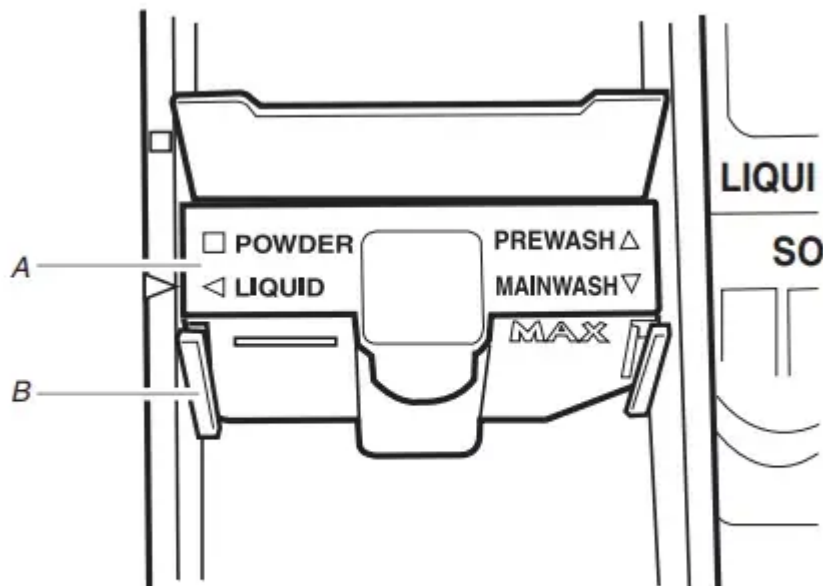
- A. Detergent type selector
- B. Main wash compartment
- C. Dispenser release lever
- D. Chlorine bleach compartment
- E. Fabric softener compartment

## Main wash compartment

Add HE liquid or powdered detergent to this compartment for your main wash cycle. The detergent type selector (A) must always be in the correct position for the type of detergent you are using. Slide the detergent type selector to the correct position.

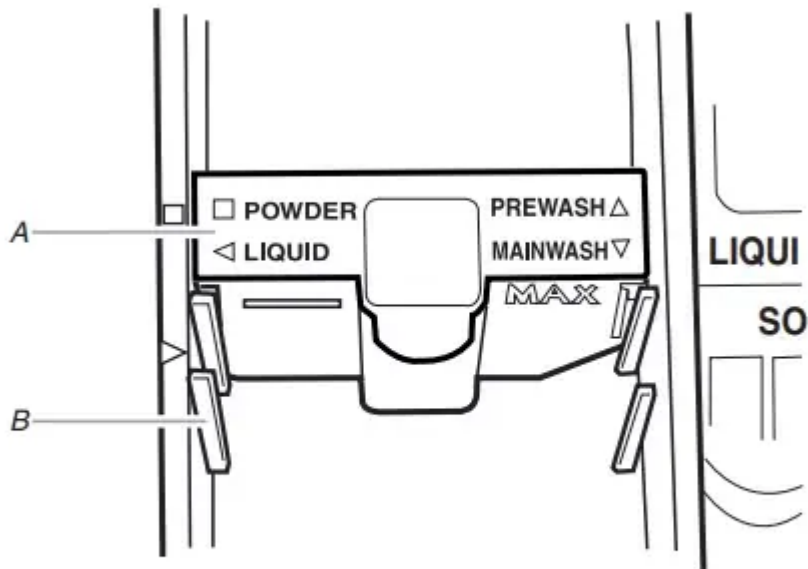
- Liquid or powdered color-safe bleach may be added to the Main Wash compartment along with the same type of liquid or powdered detergent.
- Use the detergent and color-safe bleach manufacturer's recommended amount for load size.
- If you are using the Delay Wash option, powdered laundry products should be used in the main wash compartment because liquid products may seep out of the compartment before the main wash begins.

Liquid detergent:



*Selector in position for liquid detergent  
A. Detergent type selector*

Powdered detergent:



*Selector in position for powdered detergent  
A. Detergent type selector*

### **Chlorine bleach compartment**

Add no more than 2/3 cup (160 mL) liquid chlorine bleach to this compartment. The bleach will be automatically diluted and dispensed at the best time during the first rinse after the wash cycle. This compartment cannot dilute powdered bleach.

- Always measure liquid chlorine bleach. Use a measuring cup with a pour spout; do not guess. Follow the manufacturer's directions for proper use.
- Do not fill beyond the "MAX" level. Overfilling could cause garment damage.

### **Fabric softener compartment**

Pour measured liquid fabric softener into the fabric softener dispenser, if desired.

#### **NOTES:**

- Pour only liquid fabric softener into the dispenser. Do not overfill. The dispenser holds 1/4 cup (60 mL).
- The fabric softener is dispensed in the rinse cycle. If Extra Rinse is selected, the fabric softener will be dispensed during the Extra Rinse.
- Do not use fabric softener dispensing balls in this washer. Dispensing balls will not operate correctly with this washer.
- Do not spill or drip any fabric softener onto the clothes.
- At the end of the cycle, a small amount of water may be left in the dispenser. This is normal.

## **Pausing or Restarting**

1. To pause the washer at any time, select START/PAUSE.
2. To continue the cycle, select START/PAUSE (for approximately 1 second).

## **Changing Cycles, Options, and Modifiers**

Not all Options and Modifiers are available with all cycles. Cycles, Options, and Modifiers can be changed anytime before START/PAUSE is selected.

Options and Modifiers can be changed anytime after START/PAUSE is selected and before the start of the selected Option or Modifier.

### **To cancel a cycle and begin a new cycle**

1. Select POWER/CANCEL twice.
2. Select desired cycle.
3. Select the desired OPTIONS.
4. Select START/PAUSE (for approximately 1 second) to restart the washer at the beginning of the new cycle.

### **To cancel a cycle**

1. Select POWER/CANCEL once.
2. The washer powers down, the door unlocks, and clothes can be removed.  
NOTE: If the water level or the temperature is too high, the washer will drain automatically before the door unlocks.

### **To change options or modifiers after the cycle has started**

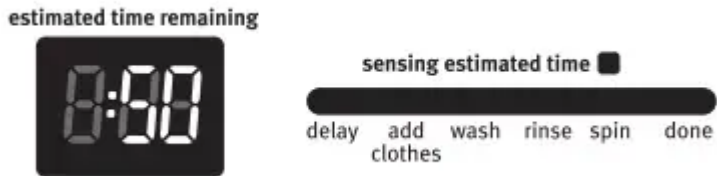
1. Select START/PAUSE once.
2. Select the desired OPTIONS or MODIFIERS.
3. Select START/PAUSE (for approximately 1 second) to continue the cycle.

### **To drain the washer manually**

1. Select START/PAUSE once.
2. Select DRAIN/SPIN.
3. Select START/PAUSE (for approximately 1 second) to begin the drain.
4. When the spin is complete, the door unlocks. Items can be removed from the washer.

## Status Indicator

This indicator shows which portion of the cycle the washer is operating and the estimated time remaining. It also indicates when you can add an additional item to the wash cycle and when the controls are locked.



## Adding items

This washer allows an 8-minute period in which other garments may be added to the load. You can add items to the washer if the status indicator shows Add Clothes.

### To add items

1. Select START/PAUSE once. The washer door unlocks, and items can be added.
2. To continue the cycle, close the door and select START/PAUSE (for approximately 1 second).
3. To unlock the door after the Add Clothes period, press POWER/CANCEL twice. This will cancel the Wash Cycle.

## Cycle done

The cycle done indicator stays on for 60 minutes, until the door of the washer is opened, or the Power/Cancel button is pressed.

## Locking controls

The Control Lock avoids unintended use of the washer. You can also use the control lock feature to avoid unintended cycle or option changes during a cycle. When Control Lock light is lit during a cycle, all buttons are disabled except for the Control Lock, Power/Cancel, and Start/Pause buttons.

### To lock the controls:

Select and hold CONTROL LOCK button for 3 seconds.



The CONTROL LOCK status light illuminates.

### To unlock the controls:

Select and hold CONTROL LOCK for 3 seconds until the Control Lock status light turns off.

### Door Locked

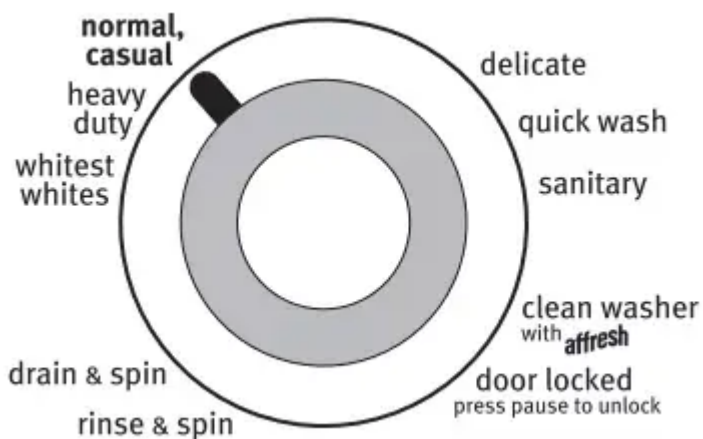
When the status light illuminates, the door is locked.

### Estimated time remaining

The cycle time varies automatically based on your water pressure, water temperature, detergent, and clothes load. The cycle time will be extended if oversudsing occurs or the load is unbalanced. The SUDS routine removes extra suds and assures proper rinsing of your clothes. During the unbalance routine, the time displayed may pause until this activity is complete, then resume with the cycle. These routines may add up to a half-hour to the default cycle time.

### Cycles

Cycles can be selected by turning the Cycle control knob to the desired cycle. Each cycle is designed for different types of fabric and soil levels.



- Each cycle has a preset Soil Level (cycle time), Water Temperature, and Spin Speed, and may have preset options. The preset settings provide the recommended fabric care for the selected cycle.
- The preset settings can be changed anytime before START is pressed. Not all options and modifiers are available with all cycles. (To change settings after the cycle has started, press PAUSE once, then select the desired settings. Press START again to continue the cycle.)

### Whitest Whites

This cycle is especially designed for cleaning loads of soiled white fabrics with the addition of bleach. Hot washing temperatures assure optimal bleach activity. An additional rinse provides

optimal rinse performance to avoid chlorine residues on your laundry. This cycle combines high-speed tumbling, longer wash time, and fast-speed spin to shorten drying time.

### **Heavy Duty**

Use this cycle to wash loads of sturdy, colorfast fabrics and heavily soiled garments. This cycle combines fast-speed tumbling, longer wash time, and extra high speed spin to shorten drying times. If the water temperature is lower than needed for this cycle, the heater will warm the water to the optimum temperature.

### **Normal/Casual**

Use this cycle to wash normally soiled cottons and linens. This cycle combines medium-speed tumbling and high-speed spin.

### **Delicate**

Use this cycle to wash no-iron fabrics and garments labeled "Permanent Press" or "Wrinkle Free" or that indicate using a "Gentle" cycle on the care label. This cycle combines low-speed tumbling and low-speed spin to help reduce wrinkling.

### **Quick Wash**

Use this cycle to wash small loads of lightly soiled garments that are needed in a hurry. This cycle combines fast-speed tumbling, a shortened wash time, and extra high speed spin to shorten drying time.

### **Sanitary**

Cycles certified by NSF International, an independent, third party testing and certification organization are those with the sanitize temperature selection available. The certification verified that these cycles reduce 99.9% of bacteria typically found on clothing, bedding, and towels. There is no carryover of bacteria between loads after the cycle is complete.



**Certified to Sanitize**

Use this cycle to clean heavily soiled, colorfast fabrics. This cycle combines a super hot water temperature and fast-speed tumbling to help ensure the removal of heavy soils and stains. It is recommended that you set your hot water heater to 120°F (49°C) to ensure proper performance

during this cycle. Extra high speed spin helps shorten drying time. Only Sanitary cycle has been designed to meet the requirements of NSF Protocol P172 for Sanitizing Efficacy.

### **Clean Washer with AFFRESH™**

Use this cycle once a month to keep the inside of your washer fresh and clean. This cycle uses a higher water level in combination with AFFRESH™ washer cleaner or bleach and steam, to thoroughly clean the inside of your washer. This cycle should not be interrupted. See *Cleaning Your Washer* in the Washer Care section.

**IMPORTANT:** Do not place garments in the washer during the Clean Washer cycle.

### **Rinse & Spin**

Use this cycle to get a rinse and spin only. This cycle combines fast-speed tumbling and extra high speed spin. If desired, you can reduce the spin speed by selecting the speed you want from the Spin Speed modifier. A Rinse & Spin cycle is useful for: Loads that need rinsing only, like swimsuits.

**NOTE:** For more delicate loads, when using a Rinse & Spin cycle to rinse swimwear, change the Speed Spin Modifier setting to Medium or Low to avoid fabric stress. Adding fabric softener to a load.

### **Drain & Spin**

Use this cycle to drain your washer or to drain and spin your wash load. The spin speed is preset to extra high. If desired, you can reduce the spin speed by selecting the speed you want from the Spin Speed modifier. **NOTE:** Loads of synthetics, delicate fabrics, hand washables, and washable woolens should be drained with no spin or low spin speed to avoid fabric stress.

### **Preset cycle settings**

Each cycle has a preset Soil Level (cycle time), Water Temperature, and Spin Speed. The preset settings provide the recommended fabric care for the selected cycle. See chart.

| Cycles                     | Soil Level (cycle time) | Water Temp | Spin Speed |
|----------------------------|-------------------------|------------|------------|
| Whitest Whites             | Normal (1:15)           | Hot/Cold   | Extra High |
| Heavy Duty                 | Heavy (1:20)            | Hot/Cold   | Extra High |
| Normal/Casual              | Normal (0:50)           | Warm/Cold  | High       |
| Delicate                   | Normal (0:40)           | Cold/Cold  | Low        |
| Quick Wash                 | Light (0:30)            | Warm/Cold  | Extra High |
| Sanitary                   | Normal (1:50)           | Hot/Cold   | Extra High |
| Clean Washer with AFFRESH™ | N/A (0:50)              | N/A        | N/A        |
| Rinse & Spin               | N/A (0:20)              | Cold/Cold  | Extra High |
| Drain & Spin               | N/A (0:11)              | N/A        | Extra High |

### To change the preset cycle settings

Press the selector of each setting until the desired setting illuminates.

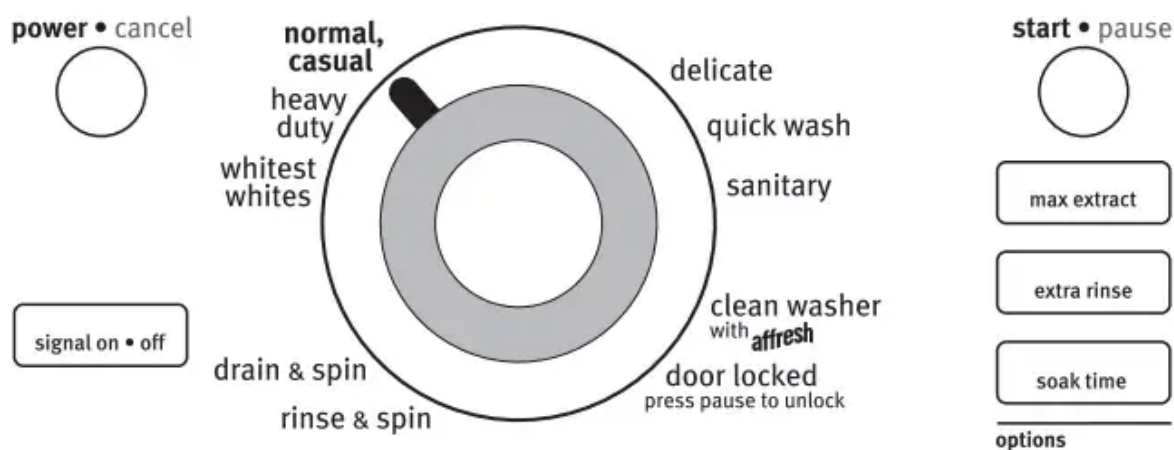
### Normal Washer Sounds

As with any new product, you will hear sounds that you are not accustomed to. You may hear various sounds when the door is locked and unlocked, and during the washing, rinsing, and spinning process. Between changes in wash actions, there will be momentary pauses. You will hear water spraying and splashing during the wash and rinse cycles. These new sounds and pauses are part of normal washer operation.

### Options

You can customize your wash by adding options to your cycle selections. You can add or change an option after starting a cycle anytime before the selected option begins. Not all options are available with all cycles.





- See the "Laundry Guide" for an overview of possible options for each Wash Cycle selection.
- You can select more than one option for a cycle. Some options cannot be added to some cycles; for example, Soak Time cannot be added to the Quick Wash cycle.
- If an option is available with a selected cycle, the light for that option will illuminate when selected.
- If an option is unavailable with a selected cycle, there will be a short tone, and the light for that option will not illuminate when selected.

### Signal On/Off

Use this option to turn the buzzer indicating the end of the cycle on or off.

### Max Extract™

Use this option to add an additional spin to any cycle to improve drying times for some heavy fabrics by reducing excess water, which may save energy.

### Extra Rinse

A second rinse can be used to aid in the removal of detergent or bleach residue from garments. This option provides an additional rinse with the same water temperature as the normal rinse. This is the default rinse setting for the Whitest Whites cycle.

### Soak Time

Use the Soak Time option to remove small spots or stains on fabrics. This option provides up to a 30-minute soak time prior to the start of the selected cycle.

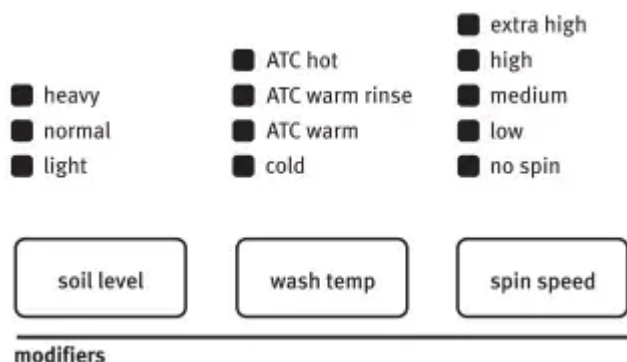
## Using the Soak time option

The soak time option provides a soak time with warm or cold water followed by drain.

1. Select the desired cycle.
2. Choose the desired temperature.
3. Select soak.
4. Select and hold START/PAUSE (approximately 1 second).

## Modifiers

Preset cycle settings of Soil Level (cycle time), Wash Temperature, and Spin Speed can be changed. You can change these settings by using modifiers. Modifiers can be changed before or during the cycle until that part of the cycle starts. Not all modifiers are available with all cycles and options.



- To change Soil Level (cycle time), select the SOIL LEVEL button until the desired setting illuminates.
- To change the water temperature, select the WASH TEMP button until the desired setting illuminates.
- To change the spin speed, select the SPIN SPEED button until the desired setting illuminates.

## Water Temp

Select a water temperature based on the type of load you are washing. Use the warmest wash water safe for fabrics. Follow garment label instructions.

Warm rinses leave the loads drier than cold rinses. Warm rinses increase wrinkling. In cold climates, a warm rinse makes the load more comfortable to handle. Cold rinses save energy.

- In wash water temperatures colder than 60°F (15.6°C), detergents do not dissolve well. Soils may be difficult to remove.

## Wash Water Temperature Suggested Fabrics

| Wash Water Temperature | Suggested Fabrics  |
|------------------------|--|
| HOT                    | Sturdy colorful fabrics, Whites and pastels, Heavy soils |
| WARM                   | Bright colors, Moderate to light soils                   |
| COLD                   | Colors that bleed or fade, Light soils                   |

In wash water temperatures colder than 60°F (15.6°C), detergents do not dissolve well. Soils may be difficult to remove.

### Automatic Temperature Control

The automatic temperature control electronically senses and maintains a uniform water temperature. Automatic temperature control regulates incoming hot and cold water. Automatic temperature control is automatically turned On when a cycle is selected. See "Preset Cycle Settings" in Cycles.

- Automatic temperature control works for all wash and rinse temperature settings.

## LAUNDRY GUIDE

Refer to this chart for suggested load types and their corresponding cycles. Listed to the right are the options available to each of these washer cycles.

| CYCLE                      | SUGGESTED LOAD TYPE  | AVAILABLE OPTIONS |             |             |           |              |
|----------------------------|--|-------------------|-------------|-------------|-----------|--------------|
|                            |  | Signal ON/OFF     | Delay Start | Extra Rinse | Soak Time | Max Extract™ |
| Whitest Whites             | Heavily soiled white fabrics   | ✓                 | ✓           | ✓           | ✓         | ✓            |
| Heavy Duty                 | Heavily soiled underwear, towels, work clothes, shirts, etc.   | ✓                 | ✓           | ✓           | ✓         | ✓            |
| Normal/Casual              | Normally soiled blouses, shirts, overalls, etc., made of polyester, nylon, linen, or cotton blends   | ✓                 | ✓           | ✓           | ✓         | ✓            |
| Delicate                   | Use this cycle to wash no-iron fabrics and garments labeled "Permanent Press" or "Wrinkle Free" or that indicate using a "Gentle" cycle on the care label. | ✓                 | ✓           | ✓           | ✓         | ✓            |
| Quick Wash                 | Lightly soiled sports wear made of cotton, polyester, nylon, or cotton blends  | ✓                 | ✓           | ✓           |           |              |
| Sanitary                   | Heavily soiled underwear, towels, work clothes, diapers, etc.  | ✓                 | ✓           | ✓           | ✓         | ✓            |
| Clean Washer with AFFRESH™ | No clothes   | ✓                 | ✓           | ✓           |           |              |
| Rinse & Spin               | Fabrics made of cotton, linen, polyester, or nylon   | ✓                 | ✓           |             |           |              |
| Drain & Spin               | Fabrics made of cotton, linen, polyester, or nylon   | ✓                 | ✓           |             |           |              |



# LAUNDRY TIPS

## Preparing clothes for washing

Follow these recommendations to help you prolong the life of your garments.

- Use only High Efficiency detergents. The package for this type of detergent will be marked "HE" or "High Efficiency." This wash system, along with less water, will create too much sudsing with a regular non-HE detergent. Using regular detergent will likely result in washer errors, longer cycle times, and reduced rinsing performance. It may also result in component failures and noticeable mold or mildew. HE detergents are made to produce the right amount of suds for the best performance. Follow the manufacturer's instructions to determine the amount of detergent to use. Remember, concentrated detergents such as 2x or higher will use less detergent based on load size.
- Close zippers, snaps, and hooks to avoid snagging other items.
- Remove pins, buckles, and other hard objects to avoid scratching the washer interior.
- Remove non-washable trim and ornaments.
- Empty pockets and turn them inside out.
- Turn down cuffs; brush away lint and dirt.
- Turn wool and synthetic knits inside out to avoid pilling.
- Tie strings and sashes so they will not tangle.
- Mend tears, loose hems, and seams.
- Treat spots and stains. Stained or wet garments should be washed promptly for best results.
- Mix large and small items, avoid washing single items, and load evenly.
- Wash small items, such as infant socks, in a mesh garment bag. To create a balanced load, it is recommended that more than one garment bag be used, and that each garment bag be filled with equal amounts of material.

## Sorting

- Separate heavily soiled items from lightly soiled ones, even if they would normally be washed together.
- Separate lint-givers (towels, chenille) from lint-takers (corduroy, synthetics, permanent press). When possible, turn lint-givers inside out.
- Separate dark colors from light colors, colorfast items from non-colorfast items.
- Sort by fabric and construction (sturdy cottons, knits, delicate items).

## Unloading

- Remove clothes from washer after the cycle is completed. Metal objects such as zippers, snaps, and buckles may rust if left in the washer basket for a long time.
- When unloading garments, occasionally check under the gray colored seal at the front of the tub for small items.

## Loading

| Loading suggestions |   |
|---------------------|---|
| Heavy Work Clothes  | 4 jeans, 2 sweatpants, 4 work pants, 2 sweatshirts, 4 work shirts                                     |
| Towels              | 10 bath towels, 10 hand towels, 14 washcloths   |
| Mixed Load          | 3 sheets (1 king, 2 twin), 4 pillowcases, 3 shirts, 3 blouses, 9 T-shirts, 9 shorts, 10 handkerchiefs |

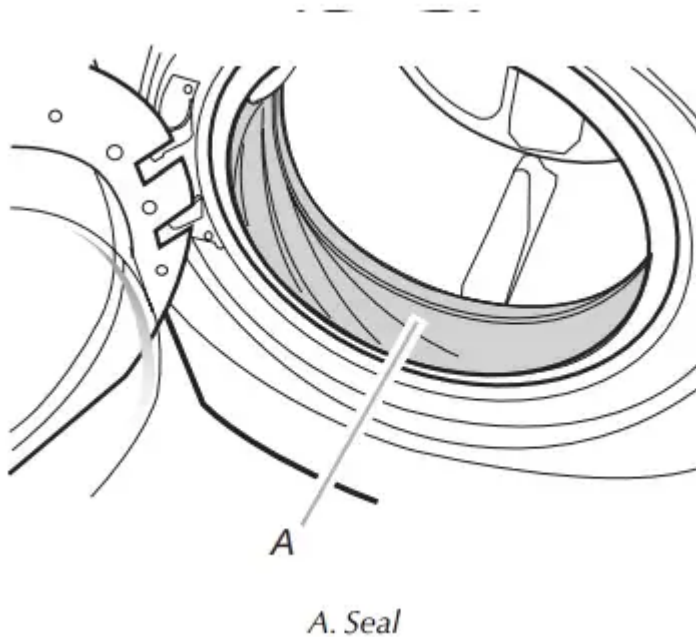
## WASHER CARE

### Cleaning Your Washer

#### Cleaning the door seal

1. Open the washer door and remove any clothing or items from the washer.

2. Inspect the gray colored seal between the door opening and the basket for stained areas. Pull back the seal to inspect areas under the seal. Remove any foreign objects.



3. If stained areas are found, wipe down these areas of the seal, using the procedure that follows.
  - a) Mix a dilute solution, using 3/4 cup (177 mL) of liquid chlorine bleach, and 1 gal. (3.8 L) of warm tap water.
  - b) Wipe the seal area with the dilute solution, using a damp cloth.
  - c) Let stand 5 minutes.
  - d) Wipe down area thoroughly with a dry cloth and let the washer interior air dry with door open.

**IMPORTANT:** Wear rubber gloves when cleaning for prolonged periods. Refer to the bleach manufacturer's instructions for proper use.

### **Washer Maintenance Procedure**

This washer has a special cycle that uses higher water volumes and steam, in combination with AFFRESH™ washer cleaner or liquid chlorine bleach to thoroughly clean the inside of the washer.

**NOTES:** Read these instructions completely before beginning the cleaning process. If necessary, the cleaning cycle may be interrupted by pressing the Start/Pause button. However, this will not immediately stop the cycle. The machine will display "int" (interrupt) and continue with several rinse and drain steps to ensure that all remaining bleach is rinsed from the washer.

### **Begin procedure**

1. Open the washer door and remove any clothing or items from the washer.

2. Using the AFFRESH™ washer cleaner (Recommended): Add one AFFRESH™ washer cleaner tablet to the washer drum.

**If using liquid chlorine bleach:** Open the dispenser drawer and immediately add 2/3 cup (160 mL) of liquid chlorine bleach to the bleach compartment. NOTE: Do not add any detergent to this cycle. Use of more than 2/3 cup (160 mL) of bleach will cause product damage over time.

3. Close the washer door and dispenser drawer.

4. Select the Clean Washer cycle.

5. Press START/PAUSE.

NOTE: The basket will rotate, then the door will unlock, lock again, and then the cycle will continue.

- The machine will bring in some inlet water, and the basket will rotate while the washer runs a short sensing cycle. This will take approximately 3 minutes.

6. The cycle will determine whether clothing or other items are in the washer.

- a) If no items are detected in the washer, it will proceed to Step 7.
- b) If any items are detected in the washer, "rL" will be displayed, and the WASH and CONTROLS LOCK lights will remain lit. The door will unlock. Open and remove any garments in the wash drum. Press POWER/CANCEL to cancel the failure code. Then repeat steps 3, 4, and 5 to start the cycle again.

7. Once the cycle has begun, allow the cycle to complete.

8. After the cycle is complete, leave the door open slightly to allow for better ventilation and drying of the washer interior.

### **Always do the following to maintain washer freshness**

- Use only HE High Efficiency detergent.
- Leave the door slightly open after each cycle to allow for better ventilation and drying of washer interior.
- Repeat the cleaning procedure monthly or when the CLEAN WASHER REMINDER light illuminates.
- If you are not ready to run the Clean Washer cycle, but the Clean Washer Reminder light is illuminated, press the Clean Washer Reset button.

If the procedure does not sufficiently improve the machine freshness, evaluate your installation and usage conditions for other causes.

## **Cleaning the Dispenser Drawer**

The dispenser drawer is removable for easy cleaning.

1. Open the dispenser drawer. Unlock the dispenser drawer by pressing the Release Lever on the left side of the dispenser drawer. See "Using the Dispenser". Remove the drawer.
2. Wash the dispenser under running water to clean. Allow to dry.
3. Return the dispenser to drawer.

## **Cleaning the exterior**

Use a soft damp cloth or sponge to wipe up any spills. Occasionally wipe the outside of your washer to keep it looking new. Use mild soap and water. Do not use abrasive products.

## **Water Inlet Hoses**

Replace inlet hoses after 5 years of use to reduce the risk of hose failure. Periodically inspect and replace inlet hoses if bulges, kinks, cuts, wear, or leaks are found. When replacing your inlet hoses, record the date of replacement.

## **Vacation, Storage, and Moving Care**

Install and store your washer where it will not freeze. Because some water may stay in the hoses, freezing can damage your washer. If storing or moving your washer during freezing weather, winterize it.

### **Non-use or vacation care:**

Operate your washer only when you are at home. If you will be on vacation or not using your washer for an extended period of time, you should: Unplug washer or disconnect power. Turn off the water supply to the washer. This helps avoid unintended flooding (due to a water pressure surge) while you are away. Slightly open door to provide ventilation.

### **To winterize washer:**

1. Put 1 qt (1 L) of R.V.-type antifreeze in the drum.
2. Run washer on a Drain & Spin cycle.
3. Unplug washer or disconnect power.
4. Shut off both water faucets.
5. Disconnect water inlet hoses from faucets and drain.

**To use washer again:**

1. Flush water pipes. Reconnect water inlet hoses to faucets. Turn on both water faucets.
2. Plug in washer or reconnect power.
3. Run the washer through the Normal/Casual cycle with 1/2 the manufacturer's recommended amount of HE detergent for a medium-size load, to clean the washer and remove the antifreeze, if used.

**To transport the washer:**

1. If washer will be moved during freezing weather, put in 1 qt (1 L) of R.V.-type antifreeze in the drum. Run washer on a Drain & Spin cycle.
2. Unplug the power cord.
3. Disconnect the drain hose from the drain system and attach to rear panel clips.
4. Shut off both water faucets.
5. Disconnect the water inlet hoses from faucets, then drain the hoses and clip them to the rear panel of the washer.

**IMPORTANT:** Call for service. Do not reuse transport bolts. Washer must be transported in the upright position. To avoid suspension and structural damage to your washer, it must be properly set up for relocation by a certified technician.

**Reinstalling the washer**

1. Follow the "Installation Instructions" to locate, level, and connect the washer.
2. Run the washer through the Normal/Casual cycle with 1/2 the manufacturer's recommended amount of HE detergent for a medium-size load, to clean the washer and remove the antifreeze, if used.

**TROUBLESHOOTING**

First try the solutions suggested here or visit our website and reference FAQs (Frequently Asked Questions) to possibly avoid the cost of a service call. In the U.S.A. [www.maytag.com/help](http://www.maytag.com/help) In Canada [www.maytag.ca](http://www.maytag.ca)

## Washer displaying code message and tone sounds

### "F20" (Water Inlet Problem- no water or insufficient water supply)

Select POWER/CANCEL twice to cancel the cycle. Unplug washer or disconnect power. Check the following:

- Are both hot and cold water faucets completely turned on?
- Are screens at inlet hose connection to washer clogged?
- Are water inlet hoses kinked? Are water inlet hoses frozen?
- Plug in washer or reconnect power. Re-select cycle and press START/PAUSE. If the problem remains, call for service.

### "F21" (Drain Problem)

Select POWER/CANCEL twice to cancel the cycle. Unplug washer or disconnect power. Check the following:

- Is the drain hose kinked?
- Is the drain hose frozen?
- Is the drain hose clogged?
- Is the drain hose more than 96" (2.4 m) above the floor?
- Plug in washer or reconnect power. Re-select cycle and press START/PAUSE. If the problem remains, call for service.

### "SUD" (Suds Routine)

- When excessive suds are detected, a suds routine automatically starts. This routine removes extra suds and assures proper rinsing of your garments. "SUD" is displayed during rinsing and at the end of the cycle to inform you that Suds Routine was activated. Use only HE (High Efficiency) detergents.

### "F22" (Front Door Lock)

Select POWER/CANCEL twice to cancel the cycle. Check the following:

- Is the washer door firmly shut?  
The door must be completely closed for the washer to operate. The door may look closed, but may not be latched. Open the door and close firmly.
- Were you washing a large load?  
Before you close the washer door, check that clothes are inside the washer drum and away from the seal area so the clothes can tumble freely. An overloaded basket may

keep the door from closing completely. Reduce your load size if needed. Close the door. Press POWER/CANCEL and then press START/PAUSE.

### **"F" Codes other than F20, F21, or F22**

Select POWER/CANCEL twice to cancel the cycle. Select DRAIN & SPIN if there is excessive water in the washer.

Re-select cycle and press START/PAUSE. If the problem remains, call for service.

### **Washer won't start**

Check the following:

- Is the power cord plugged into a grounded 3 prong outlet?
- Is the washer door firmly closed?
- Has a cycle been selected, but START/PAUSE has not been selected and held for 1 second?
- Was the door open after completion of last cycle?

### **Washer won't fill, wash, or rinse**

Check the following:

- Is the power cord plugged into a grounded 3 prong outlet?
- Is there power at the plug? Check electrical source or call an electrician.
- Are the hot and cold water faucets turned on?
- Is the water inlet hose kinked?
- Are the water inlet valve screens clogged?  
Turn off the water and remove inlet hoses from the washer. Remove any accumulated film or particles. Reinstall hoses, turn water on, and check for leaks.

### **Washer stops**

Check the following:

- Is the power cord plugged into a grounded 3 prong outlet?
- Is there power at the plug? Check electrical source or call an electrician.
- Has a household fuse blown, or has a circuit breaker tripped?  
Replace the fuse or reset the circuit breaker. If the problem continues, call an electrician.
- Are you using an extension cord?  
Do not use an extension cord.

## Washer won't drain or spin

- Is the drain hose kinked? Is the drain hose clogged, or the end of the drain hose more than 96" (2.4 m) above the floor?
- Is your voltage low? Check electrical source or call electrician. Do not use an extension cord.
- Is the "SUD" routine active? Cycle will complete once extra suds are removed.
- Is the load balanced? A single or bulky item may cause imbalance. Add more items or redistribute the load.

## Washer makes noise or vibrates

- Is the washer level? The washer must be level. The four feet should be properly installed, and the nuts should be tightened against the washer cabinet.
- As water is drained from the washer, you may hear air being pulled through the pump. This happens during the end of draining. It is normal.
- Are you washing items with metal snaps, buckles, or zippers? You may hear metal items touching the washer drum. This is normal.
- Is washer installed on a sturdy and solid floor? Refer to the "Installation Instructions" for flooring requirements. Noise and vibration may be reduced by securing a piece of 3/4" (19.1 mm) plywood underneath your washer. The plywood may extend underneath both washer and dryer to keep them at equal heights.

## Washer leaks

- Check household plumbing for leaks.
- Are the inlet hose connections tight? For inlet hose connections, see "Connect the Inlet Hoses."

## Dispensers clogged or leaking

- Are the laundry products in the correct dispenser compartment? Add the correct amounts of detergent, fabric softener, or liquid chlorine bleach to the correct compartments.
- Is the detergent type selector in the correct position? Selector should be on the right for liquid detergent and to the left for powdered detergent.

## Washer odor

- See "Cleaning Your Washer."
- Are you using HE detergent? Use of non-HE detergent can cause a film residue which can result in odor.

- Did you leave the door open after use? This washer has a tight seal to avoid water leaks. To avoid odors leave the door open to allow the washer to dry between uses.

### **Load too wet**

- Did you use the right cycle for the load being washed? Select a cycle with a higher spin speed.
- Did you wash a single item or bulky items or have you overloaded the washer? A single item, bulky items, or overloading may cause imbalance. Add items or try to evenly distribute your wet laundry in the drum, and start a Drain & Spin cycle. If the laundry is still wet, take half of the load out of the washer and try again. NOTE: Use of the Max Extract™ option is recommended for heavy loads to avoid excessive moisture at the end of the cycle.

### **Residue or lint on load**

- Did you add detergent to the dispenser? For best results, add detergent to the Main wash compartment. Do not add detergent to the washer drum.
- Did you sort properly? Sort lint givers (towels, chenille) from lint takers (corduroy, synthetics). Also sort by color.
- Did you overload the washer? Do not overload the washer. The washer can be fully loaded, but not tightly packed. The wash load must be balanced. Lint can be trapped in the load if overloaded.
- Check the following: Was paper or tissue left in pockets? Did you use enough HE detergent? Use enough detergent to remove lint and hold it in suspension. Use only HE detergent. Follow the manufacturer's instructions to determine the amount of detergent to use. Is your water colder than 60°F (15.6°C)? Wash water colder than 60°F (15.6°C) may not completely dissolve the detergent. Are you using a low speed wash cycle? Powdered detergents may not dissolve well in a slow-speed cycle. For best results, use liquid detergent for slow-speed cycles such as Delicate.

### **Stains on load**

- Did you add detergent to the dispenser? For best results, add detergent to the Main wash compartment. Do not add detergent to the washer drum.
- Did you use enough HE detergent? Use enough detergent to remove soil and hold it in suspension. Use only HE detergent. Follow the manufacturer's instructions to determine the amount of detergent to use.
- Is there above average iron (rust) in water? You may need to install an iron filter.
- Did you properly sort the load? Sort dark clothes from whites and lights.

- Did you unload the washer promptly? To avoid the transfer of dye, unload the washer as soon as it stops.
- Did you use a fabric softener dispensing ball? Dispensing balls will not operate correctly with this washer. Add liquid fabric softener to the fabric softener compartment.
- Did you use powdered detergent in a low-speed cycle? Consider using liquid detergent.
- Did you use Quick Wash on a large load? For best results, use Quick Wash for small, lightly soiled loads.

### **Load is wrinkled**

- Did you unload the washer promptly? Unload the washer as soon as it stops.
- Did you use the right cycle for the load being washed? Use the Delicate cycle or another cycle with a low spin speed to reduce wrinkling.
- Did you overload the washer? The wash load must be balanced and not overloaded. Loads should tumble freely during washing.

### **Gray whites, dingy colors**

- Did you properly sort the load? The transfer of dye can occur when mixing whites and colors in a load. Sort dark clothes from whites and lights.
- Was the wash temperature too low? Use hot or warm washes if safe for the load. Make sure your hot water system is adequate to provide a hot water wash.
- Did you use enough detergent, or do you have hard water? Use more detergent for washing heavy soils in cold or hard water.

### **Cycle too long**

- Did you choose the Whitest Whites cycle? The heater will be activated to provide maximum cleaning performance. Additional time will be added to the regular cycle to heat the water. This additional time will depend on the load size and the hot water inlet temperature.
- Is "SUD" shown in the display? Excessive sudsing has been detected and a suds routine has been started to destroy excessive suds. This routine will add time to the original cycle.
- Did you wash a large load using the Quick Wash cycle? The Quick Wash cycle is designed for smaller load sizes (2-3 items of lightly soiled garments). If larger loads are washed using this cycle, wash time will be increased.
- Did you wash a large load using a gentle cycle? When using the Delicate cycle, you should wash small loads. This ensures a gentle wash for your garments without increasing cycle times.

- Did the load cause imbalance? When too much imbalance occurs, an imbalance routine will start to redistribute the load. During the imbalance routine, the time displayed may pause until this activity is complete, then resume with the remainder of the cycle.

### **Door locked at end of wash cycle**

- Did all of the water drain out of the washer during the spin? Select DRAIN & SPIN to remove any water remaining in the washer. The washer door will unlock at the end of the drain.

## **ASSISTANCE OR SERVICE**

Before calling for assistance or service, please check "Troubleshooting." It may save you the cost of a service call. If you still need help, follow the instructions below. When calling, please know the purchase date and the complete model and serial number of your appliance. This information will help us to better respond to your request.

### **If you need replacement parts**

If you need to order replacement parts, we recommend that you use only factory specified parts. Factory specified parts will fit right and work right because they are made with the same precision used to build every new Maytag appliance. To locate factory specified parts in your area, call the Maytag Services, LLC Customer Assistance telephone number, or your nearest designated service center.

### **In the U.S.A.**

Call the Maytag Services, LLC Customer Assistance toll free: 1-800-688-9900.

Our consultants provide assistance with: Features and specifications on our full line of appliances. Installation information. Use and maintenance procedures. Accessory and repair parts sales. Specialized customer assistance (Spanish speaking, hearing impaired, limited vision, etc.). Referrals to local dealers, repair parts distributors, and service companies. Maytag appliances designated service technicians are trained to fulfill the product warranty and provide after-warranty service, anywhere in the United States. To locate the Maytag appliances designated service company in your area, you can also look in your telephone directory Yellow Pages.

### **For further assistance**

If you need further assistance, you can write to Maytag appliances with any questions or concerns at: Maytag Services, LLC ATTN: CAIR Center P.O. Box 2370 Cleveland, TN 37320-2370. Please include a daytime phone number in your correspondence.

## **In Canada**

Call the Whirlpool Canada LP Customer eXperience Centre toll free: 1-800-807-6777.

Our consultants provide assistance with: Features and specifications on our full line of appliances. Use and maintenance procedures. Accessory and repair parts sales. Referrals to local dealers, repair parts distributors, and service companies. Whirlpool Canada LP designated service technicians are trained to fulfill the product warranty and provide after-warranty service, anywhere in Canada.

### **For further assistance**

If you need further assistance, you can write to Whirlpool Canada LP with any questions or concerns at: Customer eXperience Centre Whirlpool Canada LP 1901 Minnesota Court Mississauga, Ontario L5N 3A7. Please include a daytime phone number in your correspondence.

## **LIMITED WARRANTY**

For one year from the date of purchase, when this major appliance is operated and maintained according to instructions attached to or furnished with the product, Maytag brand of Whirlpool Corporation or Whirlpool Canada LP (hereafter "Maytag") will pay for factory specified parts and repair labor to correct defects in materials or workmanship that existed when this major appliance was purchased. Service must be provided by a Maytag designated service company. **YOUR SOLE AND EXCLUSIVE REMEDY UNDER THIS LIMITED WARRANTY SHALL BE PRODUCT REPAIR AS PROVIDED HEREIN.** This limited warranty is valid only in the United States or Canada and applies only when the major appliance is used in the country where it was purchased. Proof of original purchase date is required to obtain service under this limited warranty.

### **ITEMS EXCLUDED FROM WARRANTY**

This limited warranty does not cover:

1. Replacement parts or repair labor if this major appliance is used for other than normal, single-family household use or when it is used in a manner that is contrary to published user or operator instructions and/or installation instructions.
2. Service calls to correct the installation of your major appliance, to instruct you on how to use your major appliance, to replace or repair house fuses, or to correct house wiring or plumbing.
3. Service calls to repair or replace appliance light bulbs, air filters, or water filters. Consumable parts are excluded from warranty coverage.
4. Damage resulting from accident, alteration, misuse, abuse, fire, flood, acts of God, improper installation, installation not in accordance with electrical or plumbing codes, or use of products not approved by Maytag.

5. Cosmetic damage, including scratches, dents, chips, or other damage to the finish of your major appliance, unless such damage results from defects in materials or workmanship and is reported to Maytag within 30 days from the date of purchase.
6. Pickup and delivery. This major appliance is intended to be repaired in your home.
7. Repairs to parts or systems resulting from unauthorized modifications made to the appliance.
8. Travel or transportation expenses for service if your major appliance is located in a remote area where service by an authorized Maytag servicer is not available.
9. Removal or reinstallation of inaccessible appliances or built-in fixtures (i.e. trim, decorative panels, flooring, cabinetry, islands, countertops, drywall, etc.) that interfere with servicing, removal, or replacement of the product.
10. Replacement parts or repair labor for major appliances with original model/serial numbers that have been removed, altered, or cannot be easily determined.

## **DISCLAIMER OF IMPLIED WARRANTIES**

IMPLIED WARRANTIES, INCLUDING ANY IMPLIED WARRANTY OF MERCHANTABILITY OR IMPLIED WARRANTY OF FITNESS FOR A PARTICULAR PURPOSE, ARE LIMITED TO ONE YEAR OR THE SHORTEST PERIOD ALLOWED BY LAW. Some states and provinces do not allow limitations on the duration of implied warranties of merchantability or fitness, so this limitation may not apply to you. This warranty gives you specific legal rights, and you also may have other rights that vary from state to state or province to province.

## **LIMITATION OF REMEDIES; EXCLUSION OF INCIDENTAL AND CONSEQUENTIAL DAMAGES**

YOUR SOLE AND EXCLUSIVE REMEDY UNDER THIS LIMITED WARRANTY SHALL BE PRODUCT REPAIR AS PROVIDED HEREIN. MAYTAG SHALL NOT BE LIABLE FOR INCIDENTAL OR CONSEQUENTIAL DAMAGES. Some states and provinces do not allow the exclusion or limitation of incidental or consequential damages, so these limitations and exclusions may not apply to you. This warranty gives you specific legal rights, and you also may have other rights that vary from state to state or province to province.

If outside the 50 United States and Canada, contact your authorized Maytag dealer to determine if another warranty applies.

Keep this book and your sales slip together for future reference. You must provide proof of purchase or installation date for in-warranty service.

Write down the following information about your major appliance to better help you obtain assistance or service if you ever need it. You will need to know your complete model number and serial number. You can find this information on the model and serial number label located on the product.

Dealer name: \_\_\_\_\_  
Address: \_\_\_\_\_  
Phone number: \_\_\_\_\_  
Model number: \_\_\_\_\_  
Serial number: \_\_\_\_\_  
Purchase date: \_\_\_\_\_

**Warning**

This content is compiled from multiple sources and is provided for reference purposes only. It may not be complete or fully applicable to all situations. If you are unable to resolve your issue, please contact the product manufacturer or an authorized service provider for official support.

---

Document generated by [ManualsFile](#)

