

IMPORTANT SAFETY INSTRUCTIONS.

BEFORE USING THIS APPLIANCE READ ALL INSTRUCTIONS AND CAUTIONARY MARKINGS IN THIS MANUAL AND ON THE APPLIANCE.

When using an electrical appliance, basic precautions should always be followed, including the following:

WARNING.

These warnings apply to the appliance, and also where applicable, to all tools, accessories, chargers or mains adaptors.

TO REDUCE THE RISK OF FIRE, ELECTRIC SHOCK, OR INJURY:

- 1) Prevent unintentional starting. Ensure the switch is in the off-position before picking up or carrying the appliance.
- 2) Check that the voltage indicated on the rating plate corresponds with that of the local network before connecting the appliance to the mains power supply.
- 3) Children aged from 8 years and people with reduced physical, sensory or mental capabilities or lack of experience and knowledge can use this appliance, only if they have been given supervision or instruction concerning use of the appliance in a safe way and understand the hazards involved.
- 4) Children should be supervised to ensure that they do not play with the appliance. Unless they are older than 8 and supervised, children should not perform cleaning or user maintenance.
- 5) Do not use the appliance for anything other than its intended use.
- 6) This appliance should not be operated by means of an external timer or separate remote control system.
- 7) This appliance is intended for domestic use only. It should not be used for commercial purposes.
- 8) Carrying the appliance with your finger on the switch or energizing appliance that has the switch on invites accidents.
- 9) Do not touch nozzle when the vacuum cleaner is on. Danger.
- 10) Do not put any object into openings. Do not use with any openings blocked: keep free of dust, lint, hair and anything that may reduce air flow.
- 11) Do not use outdoors or on wet surfaces.
- 12) Do not operate the vacuum cleaner or charger if it has been damaged in any way. If vacuum cleaner is not working as it should, has been dropped, damaged, left outdoors, or dropped into water, contact the PRETTY CARE Customer Service at us@prettycareif.com.

- 13) To avoid excessive heat and damage to the unit or battery. the vacuum cleaner will not operate while charging.
- 14) Do not allow to be used g i by or near children.
- 15) Use only as described i.
- 16) Do not pull or carry the cord. or pull cord around sharp edges.
- 17) Do not run appliance over cord. Keep cord away from heated surfaces.
- 18) This charger is not intended for use by travelers.
- 19) Do not use extension cords or outlets with inadequate current carrying capacity for the charger.
- 20) Do not unplug by pulling on cord. To unplug. grasp the plug. not the cord.
- 21) Do not handle charger or vacuum cleaner with wet hands.
- 22) Use appliances only with specifically designated battery packs.
- 23) Use of any other battery packs may create a risk of injury and free.
- 24) Do not mutilate or incinerate batteries. They become dangerous at high temperatures.
- 25) Liquid ejected from the battery may cause irritation or burns. If the liquid gets on the skin. (1) seek medical attention. (2) wash quickly with soap and water. and (3) neutralize with a mild acid such as lemon juice or vinegar. If the liquid gets into the eyes, flush them immediately with clean water for a minimum of 10 minutes.
- 26) When battery pack is not in use. keep it away from other metal objects. like paper clips. coins. keys. nails. screws or other small metal objects. that can make a connection from one terminal to another. Shorting the battery terminals together may cause bums or a fire.
- 27) This product Is functioning at temperature range within 40°F — 104°F.
- 28) Do not use a battery pack or appliance that is damaged or modified. Damaged or modified batteries may exhibit unpredictable behavior resulting In fire. explosion or risk of injury.
- 29) Do not expose a battery pack or appliance to fire or excessive temperature. Exposure to fire or temperature above 266°F may cause explosion.
- 30) Follow all charging instructions and do not charge the battery pack or appliance outside of the temperature range specified in the instructions. Charging improperly or at temperatures outside of the specified range may damage the battery and increase the risk of fire.
- 31) Have servicing performed by a qualified repair person using only identical replacement parts. This will ensure that the safety of the product is maintained.
- 32) Do not modify or attempt to repair the appliance or the battery pack except as indicated in the instructions for use and care.
- 33) The terminals on both the vacuum cleaner and battery should be kept free and clean of objects. Do not insert metal objects inside the terminals.

- 34) This vacuum cleaner creates suction. Keep hair, loose clothing, fingers, and all parts of body away from openings and moving parts.
- 35) Do not pick up anything that is burning or smoking, such as cigarettes, matches, or hot ashes.
- 36) Do not use without filters in place.
- 37) Use extra care when cleaning stairs. 38) Do not use to pick up flammable or combustible liquids, such as gasoline, or use in areas where they may be present.
- 39) Store vacuum cleaner and charger indoors in a cool, dry area.
- 40) To avoid electric shock and/or cleaner damage, do not expose to weather elements.
- 41) Keep your work area well lit. Unplug electrical appliances before vacuuming them.
- 42) Overcharging, short circuiting, reverse charging, mutilating or incinerating the cells and the batteries must be avoided. If a cell or a battery has leaked or vented, it should be replaced immediately using protective gloves. If and when necessary, these cells or batteries must be replaced with identical new ones from the same manufacturer. If a cell or a battery to be replaced is connected with other cells or batteries in series, it is.
- 43) Reverse polarity installation of the cell or the battery in the end product must be avoided.
- 44) Do not incinerate this appliance even if it is severely damaged.
- 45) Contact local waste facility before discarding in trash.

Overview

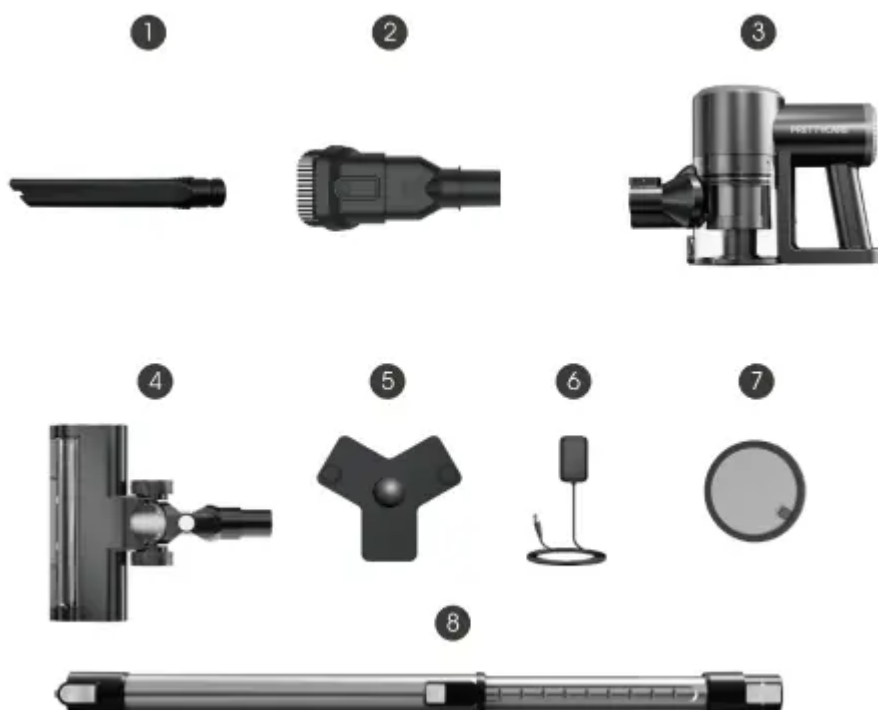


Parameter Specification

Item	Rechargeable Vacuum Cleaner	Model No.	W200
Input	100-240V	Power	180W
Output	27VDC, 500mA	Battery Capacity	2500mAh



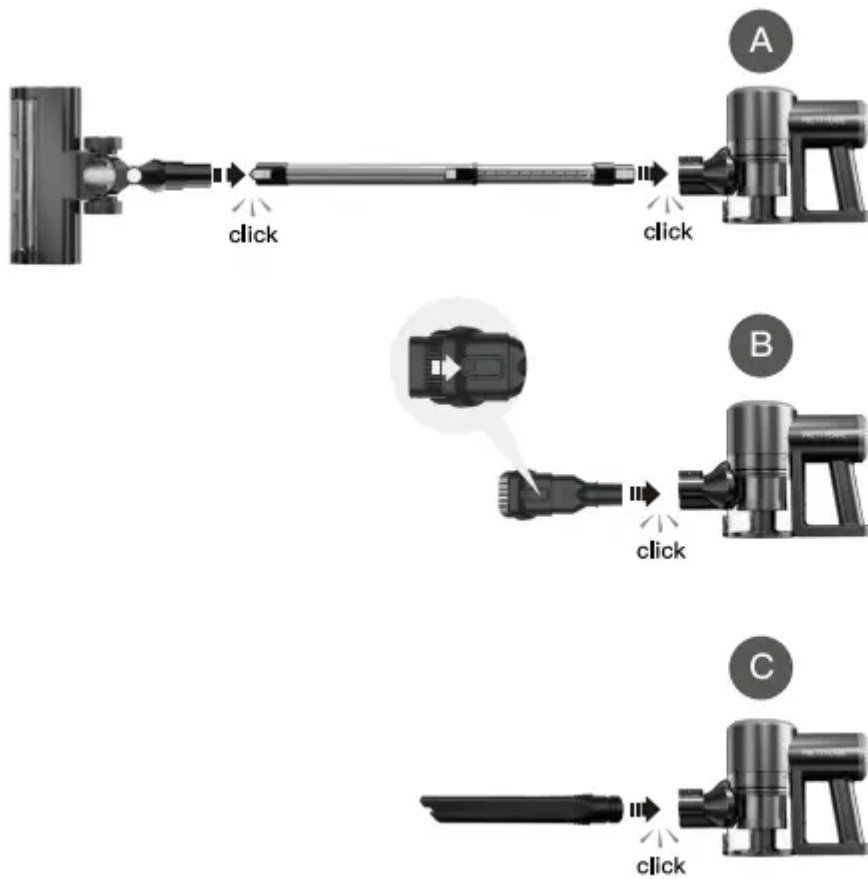
Product Parts List



1. Crevice Nozzle ; 2. 2 in 1 brush; 3. Main Engine; 4. Electric Floor Brush; 5. Well Bracket; 6. Power Adapter; 7. Filter * 2; 8. Adjustable Metal Tube

Assembling

- Attach different accessories for different tasks as illustrated.
- Install vacuum cleaner in the right direction to avoid airflow issues or not working



Using

Before use, make sure that

- the power supply is sufficient.
- the dust collector and filters are cleaned, dried, and fixed in place.



Press the power button.



Press suction strength button to switch suction level.



Turn hand vacuum 180° as shown. for better reach under furniture.



Adjust the metal tube for different uses.



Insert the 2 in 1 brush to clean sofa or curtain.



Insert the crevice nozzle to clean according to your needs.

Cleaning & Maintaining

1. Unload the dust box

Peel off the security sticker



Press the button



Rotate the "○" rotation corresponds to "↑"



Hold the vacuum cleaner while rotating the dust cup. and align the vacuum cleaner “○” with “↑”.
finally take off the dust cup.



- Please make sure the dust collector is aligned.
- Do not tilt the filter while it is in operation.

2. Dust Cup Cleaning



Press the dust collector release button to empty.



First, hold the vacuum cleaner, then press the dust cup unloading button while rotating the dust cup, and align the vacuum cleaner "O" with the arrow, finally take off the dust cup.



Take over the HEPA filter and metal filter from dust cup.



Clean the dust cup by using a damp cloth with a mild detergent.



Air dry before placing back in the vacuum cleaner.

- Never operate vacuum without all filters.
- Wash filter with cold water at least every month.

3. HEPA Cleaning



Take over the HEPA filter and metal filter from dust cup.



Indeed. clean with water and a mild detergent.



Air dry the cotton filter and metal filter until completely dry before placing back in the vacuum cleaner.



Put the filters to dust collector after cleaning. Rotate dust collector and align “🔒” with “↑”. then fix it in place.

- Make sure the power is off. Do not use sharp tools when cleaning the rolling brush to avoid damage.

4.Clean the Rolling Brushes



Press the rolling brush release button and open it up.



Take out the rolling brush.



Remove the cords and hairs on it.



Putting the brush back and fix it in position

Wall Mounting



Measure the distance between the bracket holes first.



Drill two holes as measured width. secure the backplate using the appropriate fixings.

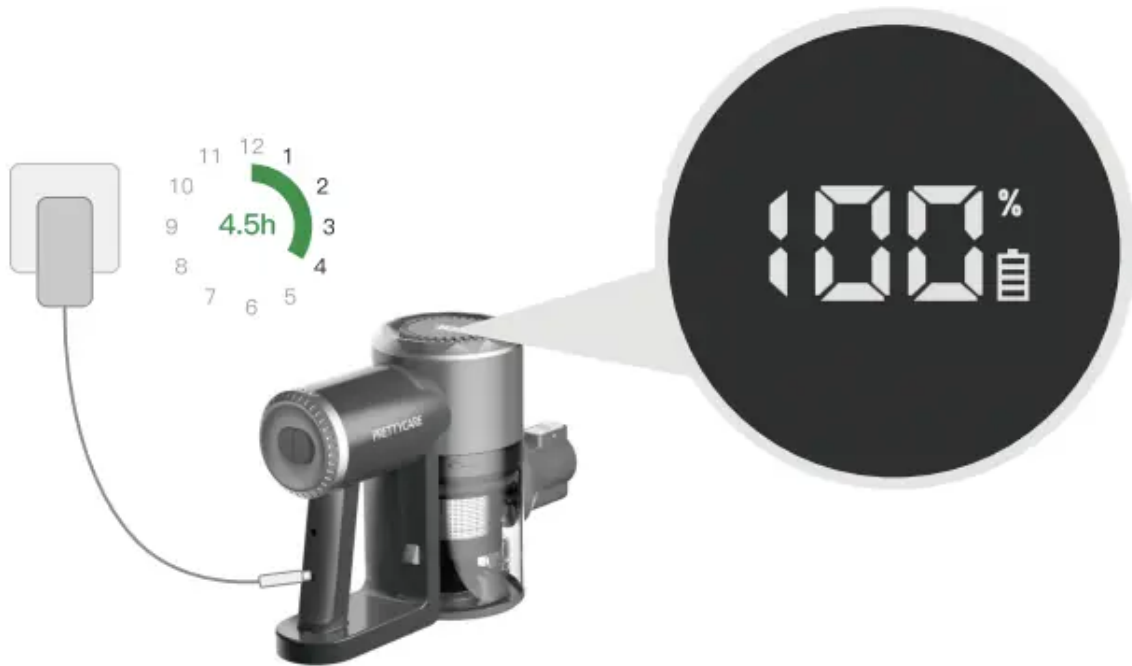


Align the vacuum cleaner at the raised point of the bracket and hang it

The package contains adhesive pads that can be used to install the bracket. but it is recommended to use screws to fix it more firmly.

Charging

1. Whole Machine Charging



Troubleshooting

If it still doesn't work with the following solutions, please contact us.

Vacuum cleaner doesn't work

- Make sure cleaner is fully powered.
- Push charger securely into electrical outlet. try another outlet or check circuit breaker.
- Product suction is blocked. clean up the suction inlet.

Charging indicator lights are not lit while charging

- Make sure charger is securely inserted into electrical outlet.
- Make sure charging plug is securely inserted into handle.
- Indicator lights stop blinking when fully charged.

Not enough suction power

- Empty dust cup and clean or change filters. Refer to maintenance instructions.
- Make sure cleaner is fully powered.
- Remove clogs that restrict the airflow.

Motor has strange sound when working

- Clean up the blockage.

- If it doesn't work. please contact us via us@prettycarelife.com

Brushroll will not turn

- Clean up all hair on the brush.

Warning

This content is compiled from multiple sources and is provided for reference purposes only. It may not be complete or fully applicable to all situations. If you are unable to resolve your issue, please contact the product manufacturer or an authorized service provider for official support.