

User Guide Frigidaire FFHS2622MWJ Refrigerator

Table of contents

- Important Safety Instructions
- Features at a Glance
- Installation
- Door Removal Instructions
- Handle Installation
- Connecting Water Supply
- Controls
- USA 1-800-944-
- Storage Features
- Automatic Ice & Water Dispenser
- Changing the Filter
- Normal Operating Sounds and Sights
- Care and Cleaning
- Before you Call!
- Major Appliance Warranty

Installation

- Allow the following clearances for ease of installation, proper air circulation, and plumbing and electrical connections:
- Toe Grille Installation and Removal

To install toe grille

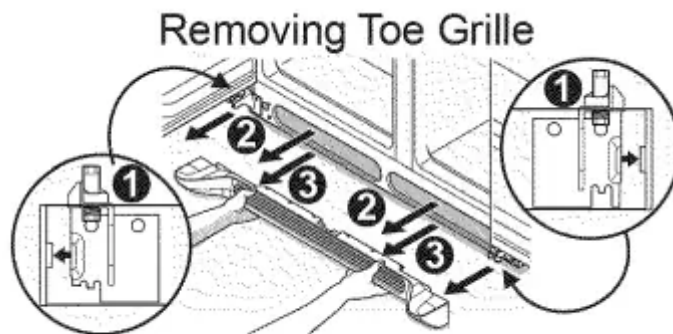
- Open both doors. Slide left and right sides of toe grille over lower hinges of refrigerator.
- While pushing toe grille firmly against cabinet, fasten bottom clips of toe grille to cabinet.
- Fasten top clips to cabinet.
- Close the doors. Fasten right and left side clips into groove of bottom hinge.

To remove toe grille

- With both doors closed, unfasten right and left side clips of toe grille from bottom hinge groove.
- Open both doors. Press firmly on top of toe grille until top of toe grille pops off.
- Pull toe grille outward toward your body and off of lower hinges.

Removing Toe Grille

- If your refrigerator is placed with the door hinge side against a wall, you may have to allow additional space so the door can be opened wider.
- Door Opening To level the doors using the adjustable lower hinge:
- The refrigerator doors are designed to shut
- Your refrigerator should be positioned to allow easy access to a counter or table when removing food. For best use of drawers and freezer baskets, the refrigerator should be in a position where both the refrigerator and freezer doors can be fully opened.



Guidelines for final positioning of your refrigerator:

- All four corners of the cabinet must rest firmly on the floor.
- The cabinet should be level at the front and rear.
- The sides should tilt 1/4inch (6 mm) from front to back (to ensure that doors close and seal properly).
- Doors should align with each other and be level.
- All of these conditions can be met by raising or lowering the adjustable front rollers.

To level the cabinet using the front rollers:

- Open both doors and remove the toe grille (see "Toe Grille Installation and Removal" in the "Installation" section).
- Close the doors and use a flat-blade screwdriver or 3/8 inch socket wrench to raise or lower the front rollers.
- Ensure both doors are bind-free with their seals touching the cabinet on all four sides.
- Some models will not have a set screw.
- For those models follow steps 2 through ii Before leveling either door, remove set screw that locks door height into position. (The door cannot be adjusted without set screw removed).
- If the refrigerator door is lower than the freezer door, raise the refrigerator door by turning the adjustment screw clockwise using a 7/16 inch wrench. (See illustration.)

- If the freezer door is lower than the refrigerator door. raise the freezer door by turning the adjustment screw clockwise using a 7/16inch wrench. (See illustration.)

Raise Door

- After leveling. verify door stop contacts lower hinge and top of door does not contact upper hinge through full movement of door (from fully closed to fully open).
- Reinstall set screw. locking the door height.

To prepare for removing the doors:

- Make sure the electrical power cord is unplugged from the wall outlet.
- Open both doors and remove the toe
- Remove any food from the door shelves.
- Close the doors.
- To remove the refrigerator top hinge cover:
- Remove the three screws from each cover over the top door hinges.
- Lift hinge cover straight up and off.
- Rear cover Front Cover Screw

To remove the refrigerator door:

- Trace lightly around the door's top hinge with a pencil. This makes reinstallation easier.
- Remove the two screws from the top hinge. Lift the door off of the bottom hinge and set it aside.
- Remove the two bottom hinges screws and hinge if necessary.

Adjustable Hinge

- To reinstall the refrigerator door. reverse the above steps.
- To remove the freezer top hinge cover:
- Remove the two screws from each cover over the top door hinges.
- Lift hinge cover straight up and off.
- Front Rear Cover Screws Cover Screw Top Hinge Cover
- Multi-Wire Cable

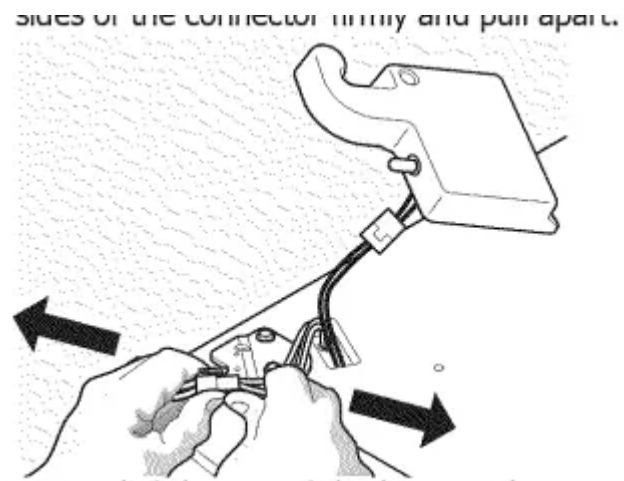
To Connect

1. Insert tube and push until mark touches face of fitting ; Door
2. Hinge/ Assembltv Screws Adjustable Hinge (some models)

To remove the freezer door:

Detach the multi-wire cable connector located above the top hinge. Grasp both sides of the connector firmly and pull apart.

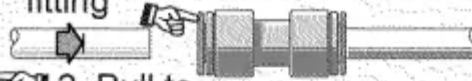
Trace lightly around the hinge with a pencil. This makes reinstallation easier.



1. Tubing nge Assembly Screws
2. Non-Adjusting Hinge (some models)
3. Lay the door on its side to avoid damage to the water tube extending from the bottom hinge.
4. To reinstall the freezer door. reverse the above steps.
5. Be sure doors are set aside in a secure position where they cannot fall and cause personal injury.

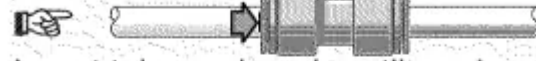
To Disconnect

1. Press outer ring against face of fitting

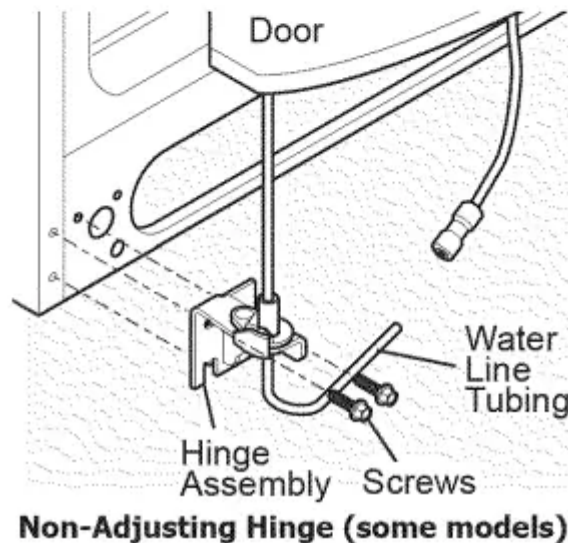
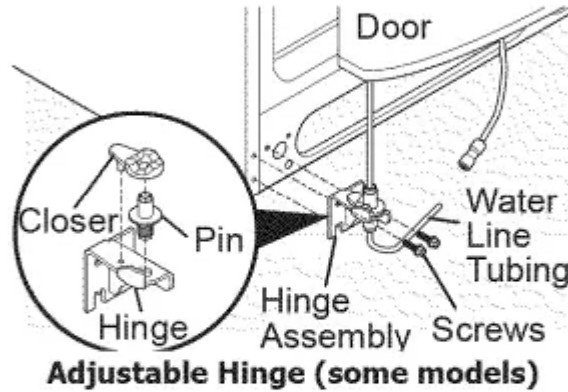


2. Pull to remove tube

To Connect



Insert tube and push until mark touches face of fitting



Freezer Lower Refrigerator Lower End Cap

- Ensure Handle Set Screws are Facing Each Other with Doors Closed
- To avoid electric shock, which can cause death or severe personal injury, disconnect the refrigerator from electrical power before connecting a water supply line to the
- A shutoff valve to connect the water supply line to your household water system.
- DO NOT use a self-piercing type shutoff valve.
- Do not re-use compression fitting or use thread seal tape.

- A compression nut and ferrule (sleeve) for connecting a copper water supply line to the ice maker inlet valve.

To Avoid Property Damage:

- Copper or Stainless Steel braided tubing is recommended for the water supply line. Water supply tubing made of 1/4 inch plastic is not recommended to be used. Plastic tubing greatly increases the potential for water leaks, and the manufacturer will not be responsible for any damage if plastic tubing is used for the supply line.
- DO NOT install water supply tubing in areas where temperatures fall below freezing.
- Chemicals from a malfunctioning softener can damage the ice maker. If the ice maker is connected to soft water, ensure that the softener is maintained and working properly.
- Ensure that your water supply line connections comply with all local plumbing codes
- Before Installing The Water Supply Line, You Will Need:
- Basic Tools: adjustable wrench, flat-blade screwdriver, and Phillips TM screwdriver

To Connect Water Supply Line

- Disconnect refrigerator from electric power source.
- Place end of water supply line into sink or bucket. Turn ON water supply and flush supply line until water is clear. Turn OFF water supply at shutoff valve.
- Remove plastic cap from water valve inlet and discard cap.
- If you use copper tubing Slide brass compression nut, then ferrule (sleeve) onto water supply line. Push water supply line into water valve inlet as far as it will go (1/4inch/6.4 mm). Slide ferrule (sleeve) into valve inlet and finger tighten compression nut onto valve. Tighten another half turn with a wrench; DO NOT over tighten.

See Figure 1.

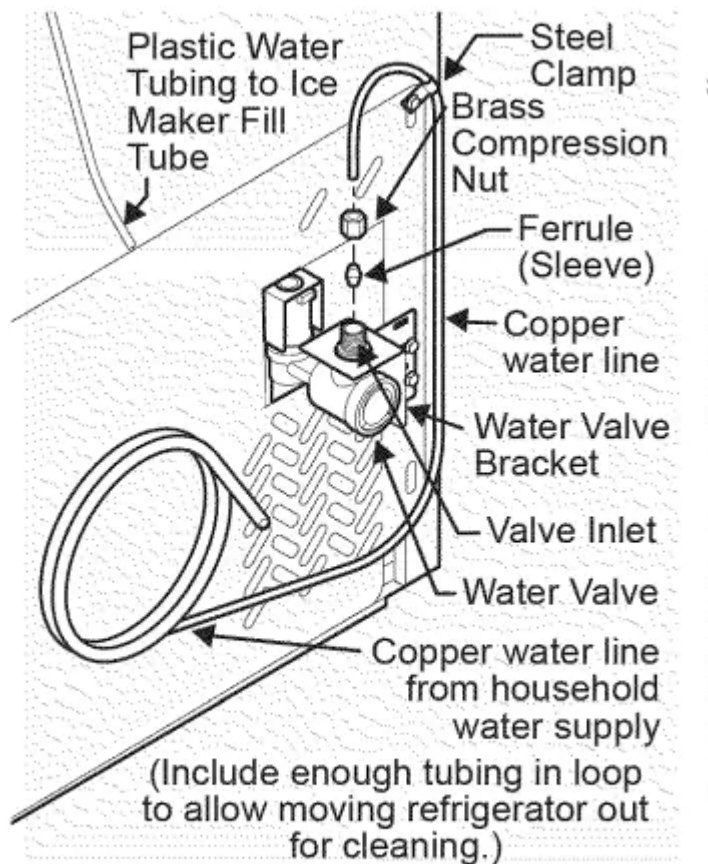


Figure 1

Allowing Cooling Time Before Use

- To ensure safe food storage, allow your refrigerator to operate with the doors closed for at least 8 to 12 hours before placing food inside.
- During this cooling period, you do not need to adjust the controls, which are preset at the factory.

Setting Cooling Temperatures

- When changing control settings, wait 24 hours for the temperature to stabilize before making additional changes.
- Your refrigerator comes with a state-of-the-art electronic digital control system.
- The system's control panel is located at the top of the fresh food compartment.
- The two digital displays on the left half of the control panel indicate the current settings or temperatures of your freezer and fresh food compartments.
- The models with a two-digit temperature display are for reference only, and do not display the current accurate compartment temperature.

- Should you desire to see what the current accurate temperature is, place a separate thermometer inside the freezer or fresh food compartment in the desired location.

TEMPERATURE ADJUSTMENT

- To adjust the temperature to a higher or lower setting, press the Up (Cold) or Down (Colder) button closest to the display. The first time you press the button, the display shows current setting you entered.
- Each press of the button after that changes the setting by one.
- The display shows your new setting momentarily, then changes back to the current temperature.

Power Fail

- In the event of a power failure, the 'power fail' alarm will sound three times. The 'power fail' alarm is an audible alarm only and does not display in the control panel.

High Temperature

- When a warm refrigerator is first powered on, the 'power fail' alarm will sound and the current set points will be displayed for a few seconds. After 20 minutes the 'high temp' alarm will sound if the freezer temperature is above 26°F or if the fresh food temperature is above 55°F (or both are above).
- If the unit is above the temperatures mentioned in the paragraph above, the affected compartment temperature display (fresh food, freezer or both) on the control panel will display 'HI' and an alarm will sound. To disable the alarm press any key on the control panel.
- After which the control panel will then show the display temperature.
- The unit will continue to monitor the product temperatures for 'high temp' condition every 20 minutes. If the 'high temp' condition persists, the alarm will sound again and can be reset again. Contact a customer service representative if the high temp alarm continues.
- The audible portion of the alarm will silence itself once the product temperature is below 26°F for the freezer temperature and 55°F for the fresh food temperature.
- The control panel will still show 'HI' until it is acknowledged by the user by pressing any key on the control panel. After which the control panel will then show the display temperature.

Door Ajar

- If the door has been left open for an extended period of time an alarm will sound. (Some models will have a 'door ajar' indicator on the control panel).
- The alarm will continue to sound until the door is closed.

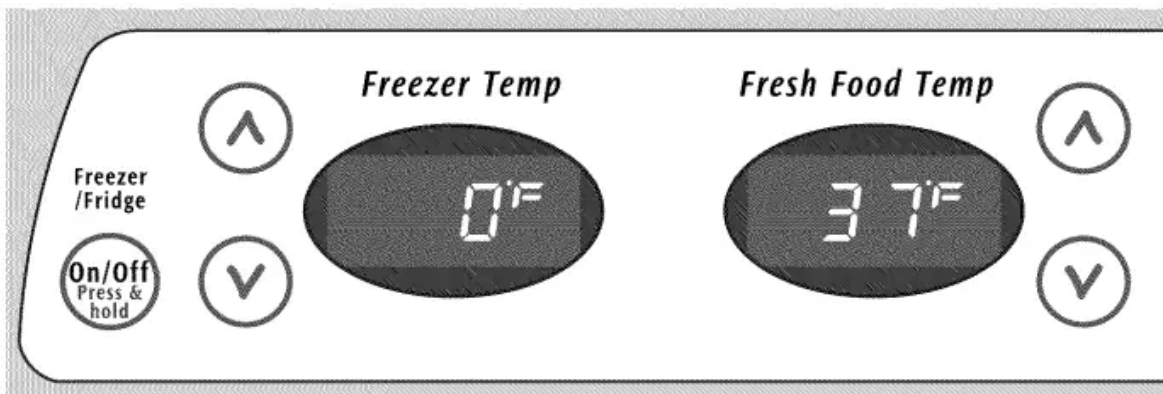
Alarm Hute

- Alarms can be muted (except 'power fail') by pressing a key combination on the control panel.
- Press and hold the 'freezer temperature up' key while at the same time pressing the 'fresh food temperature down' key three times. This sequence must be completed within 5 seconds for the alarms to be muted.
- Once the alarms have been muted, they will stay muted even if the refrigerator is powered down. To turn the alarm sounds back on, use the same key combination that was used to mute alarms.

IF TEMPERATURE DISPLAYS FLASH

- If ever you see "OP" or "SH" flashing, it may indicate that the control system has detected performance problem.
- Call your service representative, who can interpret the flashing message.
- To maintain temperatures, a fan circulates air in the refrigerator and freezer compartments.
- For good circulation, do not block cold air vents with food items.

Temperature Adjustment



- If Fresh Food compartment Adjust Fresh Food control one degree warmer by pressing the Up is too cold (Cold) button.
- If Freezer compartment is Adjust Freezer control one degree warmer by pressing the Up too cold (Cold) button.
- The advanced electronic control system in your refrigerator includes additional display modes

Turning the Cooling system on and off

- You can disable the cooling system in your refrigerator by pressing the On/Off button located on the left side of the temperature control panel.

- To ensure that you do not accidentally turn off the cooling system, the button does not work unless you press and hold it for three seconds.
- Once you disable the cooling system, all refrigeration to the freezer and fresh food compartments stops. To turn the cooling system back on, you must again press and hold the On/Off button for three more seconds. Controls will display OF°F/OF °_ when turned off.
- Pressing the On/Off button on the control panel disables your refrigerator's cooling system but does not disconnect power to lights and other electrical components.

To turn off power to

- To avoid personal injury or property damage, handle tempered glass shelves carefully.
- Shelves may break suddenly if nicked, scratched, or exposed to sudden temperature change.

Fresh Drawers with Humidity Control (some models)

- The fresh drawers, located under the bottom refrigerator shelf, are designed for storing fruits, vegetables, and other fresh produce.
- The fresh drawers feature humidity control which allows you to adjust the humidity within the drawer. This can to room temperature before cleaning.
- Do not extend the life of fresh vegetables that keep best wash in dishwasher, in high humidity. Wash items in clear water and remove excess water before placing them in the Cantilever Shelf Adjustment crispers. Items with strong odors or high moisture
- Refrigerator shelves are easily adjusted to suit individual needs. Before adjusting the shelves, remove all food. Cantilever shelves are supported at the back of the refrigerator.

To adjust cantilever shelves;

1. Lift front edge up.
2. Pull shelf out.
3. Replace the shelf by inserting the hooks at rear of the shelf into the wall bracket. Lower the shelf into the desired slots and lock into position.

Crisper Humidity Control

1. SpillSafe™ glass shelves (some models) catch and hold accidental spills. In some models, the SpillSafe™ shelves slide out for easy access to food and for fast cleaning. The shelves slide out independently of their mounting brackets.
2. Just pull the front of the shelf forward. Shelves can be extended as far as the stopper will allow but are not removable from their mounting brackets.

Cantilever Glass Shelf

- Cantilever Sliding Glass Shelf Door storage

- Door bins and shelves are provided for convenient storage of jars, bottles, and cans. Frequently used items can be quickly selected.
- Some models have door bins that can accommodate gallon-sized plastic drink containers and economy-sized jars and containers. Some bins are adjustable for maximum storage capacity.
- The dairy compartment, which is warmer than the general food storage section, is intended for short term storage of cheese, spreads, or butter.
- Leafy vegetables keep best when stored with the humidity control set on Higher Humidity, or in a drawer without a Humidity Control.
- This keeps incoming air to a minimum and maintains maximum moisture content.

Crispers

- Crispers allow you the flexibility to store any manner of items including fruits, vegetables, nuts, etc. Crispers do not feature humidity controls.

Crisper Drawer

- Some models are equipped with a Cool Drawer for storage of luncheon meats, spreads, cheeses, and other dell items.
- This drawer does not have a separate temperature control.

Chill Drawer (some models)

- Some models are equipped with a Chill Drawer.
- Chill Drawer temperatures can be adjusted by sliding the Chill Drawer Temperature Control in either direction.
- Use this pan for short term storage of bulk meat items. :if meats are to be kept longer than one or two days, they should be frozen.
- The Chill Drawer is fixed and cannot be moved up or down. :if fruits or vegetables are to be stored in the Chill Drawer, set the Chill Drawer Temperature Control to a warmer setting to prevent freezing.

Chill Drawer with Temperature Control

- Your refrigerator may have some or all of the features listed below. Become familiar with these features and their use and care.
- **EXTREME** To freeze food at a faster rate to preserve freshness, push the Touch Pad FREEZE for 3-5 seconds to activate this feature.
- A green light will appear above the Touch Pad. Push the Touch Pad again for 3-5 seconds to deactivate.
- **EXTRA ICE** To increase ice production for special occasions, such as parties, push the Touch Pad for 3-5 seconds to activate this feature.

- A green light will appear above the Touch Pad.
- Push the Touch Pad again for 3-5 seconds to deactivate.
- EXTRA ICE should produce 25 percent to 50 percent more ice every 24 hours.
- CUBE Press the CUBE Touch Pad to get cubed ice. A green light will appear above the Touch Pad. Press glass against ICE dispensing paddle as far up as possible to catch all ice.
- CRUSH Press the CRUSH Touch Pad to get crushed ice. A green light will appear above the Touch Pad. Press glass against ICE dispensing paddle as far up as possible to catch all ice.
- LIGHT Press the LIGHT Touch Pad to turn on dispenser light. Press again to turn the light off. The light also turns on automatically when ice and/or water is dispensed.
- Replace light bulb with an appliance bulb of the same wattage.
- FILTER The FILTER STATUS indicator light above the Touch Pad will light up STATUS each time the dispenser is used. The following filter light indications are:

NOTE:

- The Green, Amber and Red lights will flash when reset is complete&
- LOCK The Ice & Water Dispenser can be locked out to prevent unwanted use.
- To Lock Out Press the LOCK Touch Pad for 3-5 seconds. A red light will appear above the Touch Pad.
- To Unlock Press the LOCK Touch Pad for 3-5 seconds until the red light above the Touch Pad goes out.
- WATER To operate the water dispenser, press a glass against the WATER dispensing paddle. To stop dispensing water, pull the glass away from the dispensing paddle.
- Dispensed water is not cold. For colder water, add crushed ice or cubes before dispensing water. A drip tray located at the base of the dispenser catches small spills and allows them to evaporate.
- This drip tray is removable and dishwasher safe. Do not pour water and excess ice in this area because there is no drain.

FRIGIDAIRE

- Your refrigerator may have some or all of the features listed below. Become familiar with these features and their use and care.
- Crushed Press the Crushed Touch Pad to get crushed ice. A red indicator will appear above the Touch Pad. Press glass against ICE dispensing paddle as far up as possible to catch all ice.

- Cubed Press the Cubed Touch Pad to get cubed ice. A red indicator will appear above the Touch Pad. Press glass against ICE dispensing paddle as far up as possible to catch all ice.
- Light On Press the Light On Touch Pad to turn on dispenser light. A red indicator will appear above the Touch Pad.
- Light Off Press the Light Off Touch Pad to turn off dispenser light. A red indicator will appear Off above the Touch Pad.
- Water I To operate the water dispenser. press a glass against the WATER dispensing paddle. To stop dispensing water. pull the glass away from the dispensing paddle.
- Dispensed water is not cold. For colder water. add crushed ice or cubes before dispensing water. A drip tray located at the base of the dispenser catches small spills and allows them to evaporate.
- This drip tray is removable and dishwasher safe. Do not pour water and excess ice in this area because there is no drain.

Priming the Water Supply System

- Your refrigerator's water supply system includes several tubing lines. an advanced water filter. a distribution valve bank. and a reserve tank to ensure ample supply to the ice and water dispenser at all times. This system needs to be completely filled with water when first connected to an external supply line.

Ice Maker Operation & Care

- The ice maker. ice bin. and dispenser feeding mechanism are located in the top of the freezer compartment.
- After the refrigerator is installed properly and has cooled for several hours. the ice maker can produce ice within 24 hours.]:t can completely fill an ice bin in about two days.

Ice Production:

- How Much Ice Will a Side Mounted Ice Maker Produce in 24 Hours?
- For proper dispenser operation. recommended water supply pressure should fall between 30 A side mounted ice maker will produce 4 to 4.5 psi and 100 psi. Excessive pressure may cause pounds of ice every 24 hours. depending on usage conditions.
- Ice is produced at a rate of 8 water filter to malfunction. cubes every 75 to 90 minutes.

To prime the water supply system:

- Begin filling the tank by pressing and holding a drinking glass against the water dispenser paddle.
- Keep the glass in this position until water comes out of the dispenser. :It may take about : [1/2 minutes.

- Continue dispensing water for about four minutes to flush the system and plumbing connections of any impurities (stopping to empty the glass as necessary).
- The water dispenser has a built-in device that shuts off the water flow after three minutes of continuous use. To reset this shutoff
- How Much Ice Will a Rear Mounted Ice Maker Produce in 24 Hours?
- A rear mounted ice maker will produce 3 to 4 pounds of ice every 24 hours. depending on usage conditions.
- Ice is produced at a rate of 8 cubes every 75 to 90 minutes.

Using the Ice Maker after Installation

- Before making ice for the first time. be sure to prime the water supply system. Air in new plumbing lines can result in two or three empty ice maker cycles. Furthermore. if the system is not flushed. the first ice cubes may be discolored or have an odd flavor.
- Your ice maker is shipped from the factory device. simply release the dispenser paddle. with the wire signal arm in the ON position
- (side mounted) or with the switch turned ON (rear mounted).
- To ensure proper function of your ice maker. hook up water supply immediately or turn ice maker OFF by lifting the wire signal arm until it clicks and locks in the UP position (side mounted) or turn the On/Off switch to the Off (0) position (rear mounted).
- If the ice maker is not turned off and the water supply is not connected. the water valve will make a loud chattering noise.
- Turning the SIDE MOUNTED Ice Maker On and Off
- To begin ice production. lower the wire signal arm to the DOWN or ON position.
- The ice maker turns off automatically when the ice container becomes full. To stop the ice maker. raise the wire signal arm until it clicks and locks in the UP or OFF position.
- Turning the REAR MOUNTED Ice Maker On and Off
- Ice production is controlled by the ice maker's ON/OFF power switch.
- To gain access to the ice maker. pull the ice cream shelf out. Press the switch to the "0" position to turn it Off and press it to the 'T' position to turn it On. The ice maker also has a built-in wire signal arm. which automatically stops ice production when the ice bin is full. DO NOT use this signal arm to manually stop the ice maker.

Signal Arm

- Small ice cubes or ice chips jamming in the ice maker may be a sign that your water filter needs changing.
- If you have a side mounted ice maker you may also experience hollow cubes partially frozen cubes with water inside.

- When these cubes are harvested, they break open and spill water over the other ice cubes in the ice container, forming a solid mass of ice.
- As the water filter nears the end of its useful life and becomes clogged with particles, less water is delivered to the ice maker during each cycle.
- The ice maker can't fill every cube in the ice maker mold, leading to small cubes or chips that can get caught between the ice ejector blades and the stripper.
- Remember, if your ice maker is jamming with small ice cubes or it's been six months or longer since you last changed your water filter, replace the water filter with a new one. Poor quality household water may require the filter to be changed more frequently.

Ice Maker/Dispenser Tips

- Ice cubes stored too long may develop an odd flavor. Empty the ice container as explained below.
- Occasionally shake the ice container to keep ice separated.
- If your refrigerator is not connected to a water supply or the water supply is turned off, turn Off the ice maker.
- If you need a large quantity of ice at one time, it is best to get cubes directly from the ice container.
- The following sounds are normal when the ice maker is operating:
 - Motor running
 - Ice dropping into ice container
 - Water valve opening or closing
 - Ice loosening from tray

Running water

- When dispensing ice, you will hear a snapping or clicking sound when the ice chute opens and closes.
- Turn Off the ice maker when cleaning the freezer and during vacations.
- If you turn Off the ice maker for a long period of time, you should also turn off the water supply valve.
- Chemicals from a malfunctioning water softener can damage the ice maker. If the water supply to your refrigerator is softened, be sure the softener is maintained to work properly.

Cleaning the Ice Maker

- Clean the ice maker and ice bin at regular intervals, particularly before you take vacation or move.
- To clean the ice maker:

- Turn Off the ice maker.
- Remove the ice bin by lifting up and out.
- Empty and carefully clean the ice bin with mild detergent.
- Rinse with clear water. Do not use harsh or abrasive cleaners.
- Allow the ice bin to dry completely before replacing in the freezer.
- Remove ice chips and clean the ice bin shelf and the freezer door chute.
- Replace the ice bin. Turn On the ice maker to resume ice production.
- Remove and empty the ice storage bin if:
 - An extended power failure (one hour or longer) causes ice cubes in the ice storage bin to melt and freeze together, jamming the dispenser mechanism.
 - You do not use the ice dispenser frequently.
 - Ice cubes will freeze together in the bin, jamming the dispenser mechanism.
 - Remove the ice storage bin and shake to loosen the cubes or clean as explained above.
 - NEVER use an ice pick or similar sharp instrument to break up the ice. This could damage the ice storage bin and dispenser mechanism.
- When removing or replacing the ice bin.
- DO NOT rotate the auger in the ice bin.
- If the auger is accidentally rotated, you must realign the auger by turning it in 90 degree turns (see below) until the ice bin fits into place with the drive mechanism.
- If the auger is not properly aligned when

Locating the Filter

- Your refrigerator is equipped with a water filtering system. The water filter system filters all dispensed drinking water, as well as the water used to produce ice.

Water Filter

- The water filter is located at the top right side of the fresh food compartment.

Replacing the Water Filter

- In general, you should change the water filter every six months to ensure the highest possible water quality.
- Water Filter Status on the user interface prompts you to replace the filter after a standard amount of water (200 gallons/757 liters for PureSource ULLA™ and iSource™) has flowed through the system.
- If your refrigerator has not been used for a period of time (during moving for example), change the filter before reinstalling the refrigerator.

- If your refrigerator is equipped with a PureSource 3™ water filter, it can be replaced with a PureSource Ultra™ water filter. Replacing your PureSource 3™ water filter with a PureSource Ultra™ water filter removes more potential contaminants as tested by NSF. The contaminants or other substances removed or reduced by this water filter are not necessarily in all users' water.

Ordering Replacement Filters

- To order your replacement filters, please visit our online store at www.frigidaire.com/store, by calling toll-free at 877-808-4195, or by visiting the dealer where you purchased your refrigerator. Frigidaire recommends that you order extra filters when you first install your refrigerator, and that you replace your filters at least once every six months.
- Here are the product numbers to request when ordering: PureSource Ultra™ Water Filter Part# ULTRAWF
- PureSource™ Water Filter Part #WF3CB
- If your refrigerator is equipped with a PureSource Ultra™ water filter, it must be replaced with PureSource Ultra™ water filter ULTRAWF.

Ice maker is not making any ice,

- Ice maker wire signal arm is in the "up" or OFF position.
- Ice maker power switch is Off.
- Ice maker has small cube caught in mechanism.
- Saddle valve on cold water pipe is clogged or restricted by foreign material.

Ice maker IS producing :

- Move wire signal arm to the "down" or ON position (side mounted).
- Turn power switch to On ('T') position rear mounted).
- Remove small cube from ice maker. The ice and water filter cartridge may be clogged. Replace filter cartridge.
- Turn off household water line valve.
- Remove valve. Ensure that valve is not a self-piercing saddle valve. Clean valve.
- Replace valve if necessary.
- Side mounted ice maker should produce not making . less ice than you expect 4 to 4.5 pounds (approximately 4 quarts) enough ice. i of ice every 24 hours. A rear mounted
- Ice maker should produce 3 to 4 pounds (approximately 3 1/2 quarts) of ice every 24
- hours. Quick Ice Option should produce Up to 50% more ice every 24 hours.

Check to see if water

- If it is, replace the ice and water filter dispenser [is dispensing cartridge, slower than normal:

- Freezer control is set too warm, Set freezer control to colder setting to improve performance of the ice maker. Allow 24 hours for temperature to stabilize.

Ice maker will not produce ice

Ice maker wire signal arm

1. Move item and release wire signal arm. net stop mak- is being held down by Remove any ice cubes that are frozen ing ice. some item in the freezer, together oveEthe wire siignal arm. lice cubes are
2. Ice cubes are not being , Remove iceo_ntainer and discard icefrom freezing to: used frequently enough, container. Ice maker wi!! produce fresh Supply. gether. I, Ice cubes are hollow -he ice and water filter cartridge may be

Freezer control is set too warm

- Set freezer control to colder setting. Allow warm. ' 24 hours for temperature to stabilize.
- Dispenser will not dispense ice.
- Dispenser lock out is not dispense I engaged. ice,
- There is no ice in the bin to be dispensed.

The refrigerator doors are not completely closed.

- Press and hold control lock for three seconds;
- See the Ice maker is not making any ice! section above.
- Be sure the refrigerator doors are completely closed.
- Dispenser paddle has been pressed too long, The motor overload protector will reset in been pressed too long about three minutes and then ice can be the dispenser motor - dispensed. has overheated.

Ice dispenser is jammed.

- Ice has melted and frozen around auger due to infrequent use, temperature fluctuations, and/or power outages.
- Ice cubes are jammed between ice maker and back of ice container.
- Remove ice container, thaw, and empty the contents. Clean container, wipe dry, and replace in proper position. When new ice is made, dispenser should operate.
- Remove ice cubes that are jamming the dispenser.

Warning

This content is compiled from multiple sources and is provided for reference purposes only. It may not be complete or fully applicable to all situations. If you are unable to resolve your issue, please contact the product manufacturer or an authorized service provider for official support.

