

## Before installing boiler

### Installation must comply with —

1. State, provincial and local plumbing, heating and electrical codes.
2. Regulations of servicing utilities.
3. ASME Section IV, Low Pressure Boiler and Pressure Vessel Code.
4. National Fuel Gas Code, ANSI/NFPA 54 - latest edition, when applicable.
5. National codes where applicable.

### Before selecting boiler location

1. Check for nearby connections to:
  - a. Fuel supply.
  - b. Electrical power.
  - c. System water or steam piping.
  - d. Venting systems - see page 29.
  - e. Combustion and ventilation air supply — see page 5.
2. Check area around boiler. Remove any combustible materials, gasoline and other flammable vapors and liquids.

**WARNING:** Failure to keep boiler area clear and free of combustible materials, gasoline and other flammable liquids and vapors can result in severe personal injury, death and substantial property damage.

### Provide clearance around boiler

1. Provide minimum clearances to combustible materials:
  - **Boiler top** — 24 inches.
  - **Boiler front** — 48 inches.
  - **Boiler flue** — 9 inches.
  - **Boiler rear** — 9 inches.
  - **Boiler sides** — 6 inches.
  - **Single-wall vent pipe** – 18 inches.
  - **Double-wall vent pipe** – refer to vent pipe manufacturer's recommendations for vent pipe clearances.

2. Boiler may be installed on combustible flooring.

3. See page 36 for boiler dimensions.

**NOTICE:** Flue pipe/breeching clearances take precedence over jacket clearances.

4. Provide minimum clearances for servicing:

- **Left side** — for cleaning and tankless heater removal – inches.
- **Rear** — for breeching — 36 inches.
- Allow sufficient space on remaining sides for cleaning, servicing and burner installation. See burner literature for length and recommended service clearances.

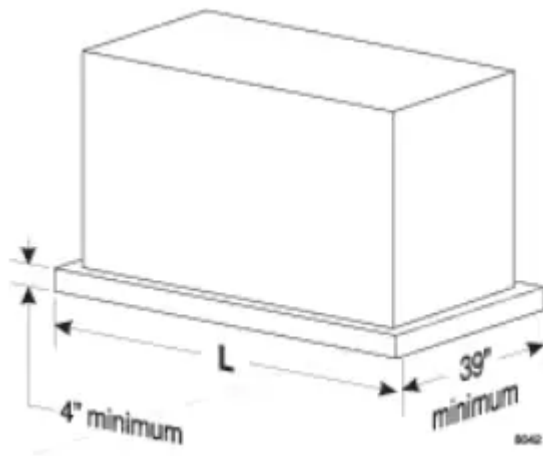
### Lay a foundation, if needed

1. Floor construction and condition must be suitable for weight of boiler when filled with water. See page 35 for approximate boiler operating weight.

2. A level concrete or brick foundation, constructed per Figure 1 and Figure 2 is required when:

- a. A floor could possibly become flooded.
- b. Non-level conditions exist.

**Figure 1** Boiler foundation, when required



**Figure 2** Boiler foundation (see Figure 1)

Boiler model number	Length, L, minimum (inches)
488	33
588	41
688	49
788	57
888	65
988	73
1088	81
1188	89
1288	97
1388	105
1488	113
1588	121
1688	129
1788	137
1888	145

## Combustion and ventilation air openings

### WARNING

Adequate combustion and ventilation air must be provided to assure proper combustion and prevent possibility of flue gas leakage and carbon monoxide emissions, causing severe personal injury or death.

Do not install an exhaust fan in boiler room. Incorrect burner operation can result.

When combustion and ventilation air enters through side wall openings, ensure that the openings comply with the requirements of Figure 3 and Figure 4.

Opening sizes must comply with state, provincial or local codes. In the absence of local requirements, use the National Fuel Gas Code, ANSI/NFPA 54- latest edition). The following information is taken from ANSI/NFPA 54- latest edition. For details and information not addressed below, refer to the standard.

## Combustion air openings to inside

### Required volume of interior spaces

ANSI/NFPA 54 allows combustion air to be supplied through openings to interior spaces if **the volume of the connected interior spaces meets the minimum volume required by the standard.**

The minimum volume of interior spaces can be taken as 50 cubic feet per Btuh of all appliances in the spaces, or the minimum volume can be calculated using the formulas given in ANSI/NFPA 54- latest edition. Exception: If the air infiltration rate for the spaces is known to be less than 0.40 air changes per hour, the minimum volume must be calculated as specified in the standard.

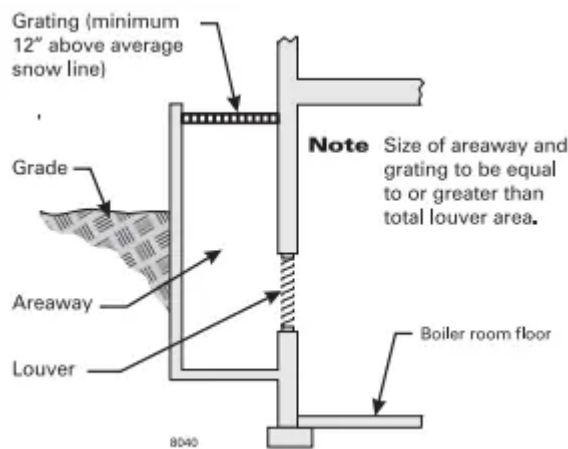
### Inside air opening sizes and locations

For spaces that provide the minimum volume required by ANSI/NFPA 54, the air openings must be sized per the following:

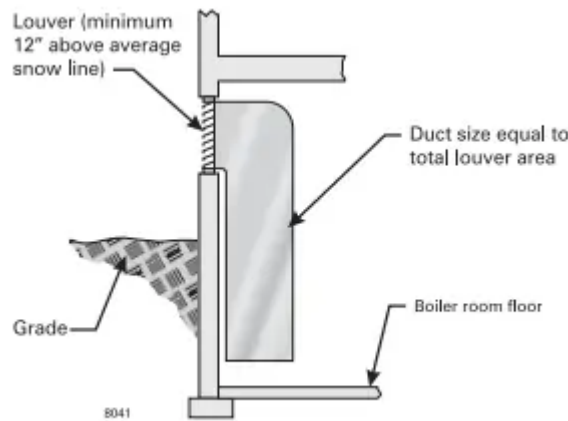
**Combining spaces on the same story** — Each opening shall have a minimum free area of 1 in<sup>2</sup> Btuh (2200 mm<sup>2</sup> kW) of the total input rating of all appliances in the space but not less than 100 in<sup>2</sup>. One opening shall commence within 12 inches (300 mm) of the top, and one opening shall commence within 12 inches (300 mm) of the bottom, of the enclosure. The minimum dimension of air openings shall be not less than 3 inches (80 mm).

**Combining spaces in different stories** — The volumes of spaces in different stories shall be considered as communicating spaces where such spaces are connected by one or more openings in doors or floors having a total minimum free area of 2 in<sup>2</sup> /1000 Btuh (4400 mm<sup>2</sup> /kW) of total input rating of all appliances.

**Figure 3** Combustion and ventilation air openings - Boiler room below grade



**Figure 4** Combustion and ventilation air openings - Boiler room partially or completely above grade



## Combustion air openings to outside

Outdoor combustion air can be taken through permanent openings (TWO or ONE), as described in the following. The minimum dimension of air openings shall not be less than 3 inches (80 mm).

### Outside openings: TWO permanent openings method

Two permanent openings, one commencing within inches (300 mm) of the top and one commencing within 12 inches (300 mm) of the bottom of the enclosure shall be provided. The openings shall communicate directly, or by ducts, with the outdoors or spaces that freely communicate with the outdoors, as follows:

- Where directly communicating with the outdoors or where communicating to the outdoors through vertical ducts, each opening shall have a minimum free area of 1 in<sup>2</sup> Btuh/mm<sup>2</sup> kW) of total input rating of all appliances in the enclosure.
- Where communicating with the outdoors through horizontal ducts, each opening shall have a minimum free area of in<sup>2</sup> Btuh (1100 mm<sup>2</sup> kW) of total input rating of all appliances in the enclosure.

### Outside openings: ONE permanent opening method

One permanent opening, commencing within 12 inches (300 mm) of the top of the enclosure, shall be provided. The appliance shall have clearances of at least 1 in. (25 mm) from the sides and back and 6 inches (150 mm) from the front of the appliance. The opening shall directly communicate with the outdoors or shall communicate through a vertical or horizontal duct to the outdoors or spaces that freely communicate with the outdoors and shall have a minimum free area of the following: in<sup>2</sup>

1. Btu/hr (700 mm<sup>2</sup> per kW) of the total input rating of all appliances located in the enclosure, and . .
2. Not less than the sum of the areas of all vent connectors in the space.

## **Combustion air — combination indoor and outdoor openings**

ANSI/NFPA 54 allows combustion air to be taken from a combination of openings to outside and to interior spaces. Follow all requirements of the standard to determine the minimum volume of interior spaces and to calculate minimum sizes of openings.

### **Engineered Installations**

Engineered combustion air installations shall provide an adequate supply of combustion, ventilation, and dilution air and shall be approved by the authority having jurisdiction.

### **Mechanical Combustion Air Supply**

Where all combustion air is provided by a mechanical air supply system, the combustion air shall be supplied from outdoors at the minimum rate of 0.35 ft<sup>3</sup> minute per Btuh (0.034 m<sup>3</sup> min per kW) for all appliances located within the space.

- Where exhaust fans are installed in the building, additional air shall be provided to replace the exhausted air.
- Each of the appliances served shall be interlocked to the mechanical air supply system to prevent main burner operation where the mechanical air supply system is not in operation.
- Where combustion air is provided by the building's mechanical ventilation system, the system shall provide the specified combustion air rate in addition to the required ventilation air.

### **Louvers, Grilles, and Screens.**

The required size of openings for combustion, ventilation, and dilution air shall be based on the net free area of each opening.

Where the free area through a design of louver or grille or screen is known, it shall be used in calculating the size opening required to provide the free area specified.

Where the louver and grille design and free area are not known, it shall be assumed that wood louvers will have percent free area, and metal louvers and grilles will have 75 percent free area.

Non-motorized louvers and grilles shall be fixed in the open position.

#### **Minimum screen mesh size**

Screens shall not be smaller than 1/4 inch mesh.

#### **Motorized louvers**

Motorized louvers shall be interlocked with the appliance so they are proven in the full open position prior to main burner ignition and during main burner operation. Means shall be

proved to prevent the main burner from igniting should the louver fail to open during burner startup, and to shut down the main burner if the louvers close during burner operation.

## Set boiler in place

**WARNING:** Ensure the equipment and cables used for lifting are designed to handle the load. See Figure 5 for approximate weights of model 88 section assemblies. Failure to comply can result in severe personal injury, death or substantial property damage.

**NOTICE:** Cables used for lifting are NOT provided by Weil-McLain.

### For packaged boiler:

1. Remove top jacket panels. Set aside until after boiler is piped.

**WARNING:** The boiler contains ceramic fiber and fiberglass materials. Use care when handling these materials per instructions on "Handling ceramic fiber and fiberglass materials," page 34 of this manual. Failure to comply could result in severe personal injury.

2. Remove lag screws (2 in front, 2 in rear) from shipping rails.

3. Remove boiler from skid. See Figure 5 for lifting weight.

- Using crane — hook middle of each cable to eye of crane.
- Using hoist — hook middle of each cable to hoist. Raise boiler off skid. Use pipe rollers under skid angles to roll boiler.

4. Place boiler in final position. Center boiler on foundation, if used.

5. Level boiler. Shim under skid angles, if necessary.

6. Cut off cables.

**WARNING:** Cables are not intended for long-term usage. Cables may corrode inside boiler, weakening their lifting strength. Failure to remove cables can result in severe personal injury, death or substantial property damage.

7. Proceed to "Perform hydrostatic pressure test," page 11.

### For block assembly:

1. Remove lag screws (2 in front, 2 in rear) from shipping rails.

2. Remove boiler from skid. See Figure 5 for lifting weight.

- Using crane – attach free end of cables to eye of crane.
- Using hoist – attach free end of cables to hoist. Raise boiler off skid. Use pipe rollers under steel skid angles to roll boiler.

3. Place boiler in final position. Center boiler on foundation, if used.

4. Level boiler. Shim under skid angles, if necessary.

5. Cut off cables.

**WARNING:** Cables are not intended for long-term usage. Cables may corrode inside boiler, weakening their lifting strength. Failure to remove cables can result in severe personal injury, death or substantial property damage.

6. Inspect block assembly for disjointed sections. Check gas-tight seal of flue collector hood and clean out plates.

**Figure 5** Section assembly lifting weights

<b>Boiler model number</b>	<b>Approximate lifting weight (pounds)</b>	<b>Minimum sling length — (from crane hook to boiler lifting lugs)</b>
<b>488</b>	2928	2' 6"
<b>588</b>	3490	3' 0"
<b>688</b>	4152	4' 0"
<b>788</b>	4714	4' 6"
<b>888</b>	5276	5' 0"
<b>988</b>	5838	6' 0"
<b>1088</b>	6400	6' 6"
<b>1188</b>	7062	7' 0"
<b>1288</b>	7624	8' 0"
<b>1388</b>	8186	8' 6"
<b>1488</b>	8748	9' 0"
<b>1588</b>	9310	10' 0"
<b>1688</b>	9872	10' 6"
<b>1788</b>	10,584	11' 0"
<b>1888</b>	11,146	12' 0"

**WARNING:** Gas tight seal must be maintained to prevent possible flue gas leakage and carbon monoxide emissions, resulting in severe personal injury or death.

- a. Check inside section assembly for any light passing through unsealed areas.
- b. Mark all unsealed areas.
- c. At unsealed areas, check for:
  - Damaged gaskets.
  - Sealing rope not in place.
  - Loose bolts or nuts.



d. Correct all conditions and repeat step b. If un-sealed areas still exist, contact your Weil-McLain distributor or sales office before continuing installation.

7. Proceed to "Perform hydrostatic pressure test," page 11.

## Assembling the block



Sections are top heavy. Unbolted sections may fall if not supported, resulting in severe personal injury or death.

### Prepare and position back section

1. Apply 1 continuous bead of sealing rope adhesive in sealing rope grooves. See Figure 6. Do not get any adhesive on machined port surfaces.

2. Place 1/2" sealing rope in groove. Around curves, grasp at 1" intervals and push together. Do not stretch.

**WARNING:** Do not pre-cut rope. Gas tight seal must be maintained to prevent possibility of flue gas leakage and carbon monoxide emissions, causing severe personal injury or death. Cut rope as each section is completed.

3. Remove any grit from port machined surfaces with clean rag.

**WARNING:** Do not use petroleum-based cleaning or sealing compounds in boiler system. Severe damage to system components can result, causing substantial property damage.

4. Place 9" and 6" sealing rings in appropriate port openings. See Figure 6. If sealing ring slips out of groove, stretch ring gently for several seconds, then reposition in groove.

5. Apply continuous bead of silicone sealant no larger than 1 around entire outside edge of outer machined surface of port. Refer to Figure 7. Do not apply silicone sealant on, next to or under sealing ring.

**WARNING:** Silicone sealant applied as specified above prevents unburned oil vapors from coming in contact with sealing ring. Vapor contact can damage rings, resulting in severe damage to boiler and substantial property damage.

6. Hoist back section upright. Then temporarily screw a 6-inch threaded pipe at least 36 inches long into the lower (return) tapping.

7. Hoist the section and put into position.

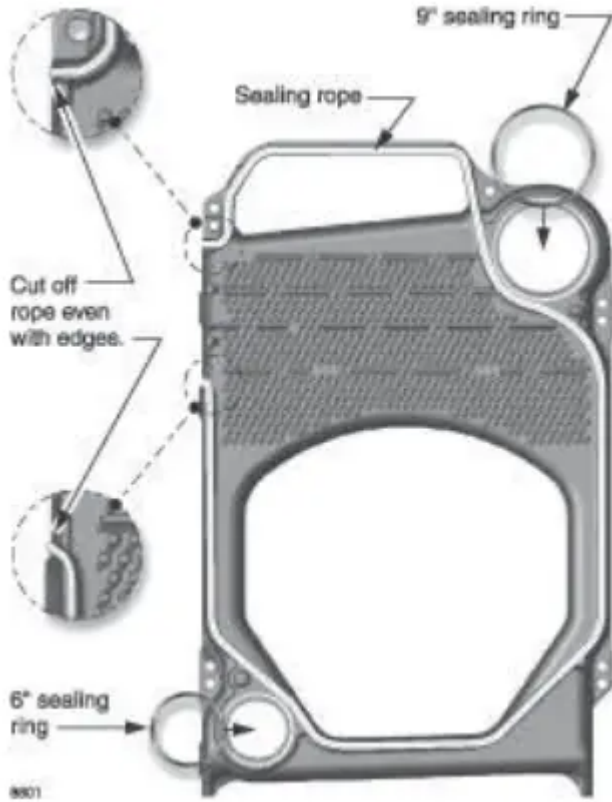
8. Place a block under the 6-inch pipe to hold the back section upright and plumb.

**CAUTION:** The back section must be plumb before installing other sections to ensure the block will assemble correctly.

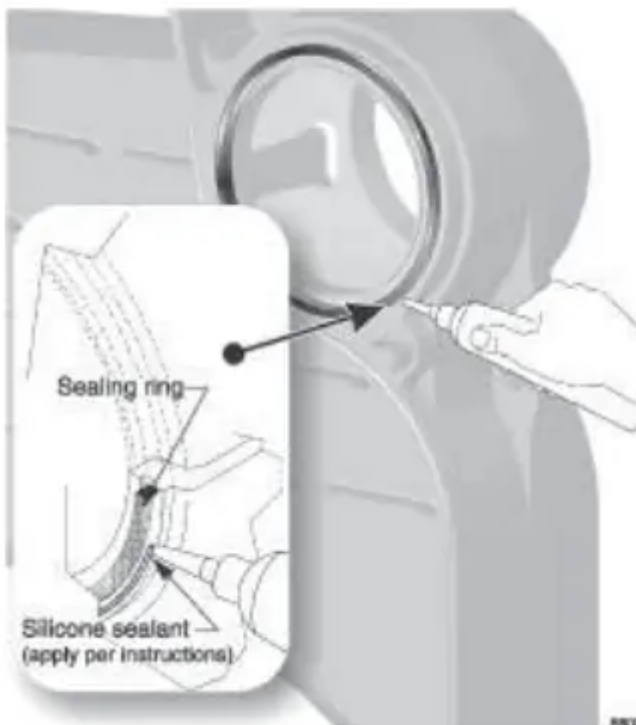
9. The 6-inch support pipe and block can be removed after several sections have been installed, and the assembly is stable.

10. Install intermediate sections as described on the following page.

**Figure 6** Sealing rope installation



**Figure 7** Silicone sealant





Sections are top heavy. Unbolted sections may fall if not supported, resulting in severe personal injury or death.

## Install intermediate sections

1. Remove and discard 3 diameter shipping tie rods.

2. Remove grit from port machined surfaces with clean rag.

**WARNING:** Do not use petroleum-based cleaning or sealing compounds in boiler system. Severe damage to system components can result, causing substantial property damage.

3. Position intermediate section so aligning lugs fit into sockets of next section. See Figure 8.

4. Install TI (tankless intermediate) and SI (supply intermediate) sections (when used) in order shown in Figure 9, page 10.

5. Draw sections together until metal-to-metal contact is made around machined port openings (see Figure 8):

a. Oil threads on 4 draw rods. Install washer and nut on end to be tightened. Use nut only on other end.

b. Uniformly draw sections together, starting at washer/nut end.

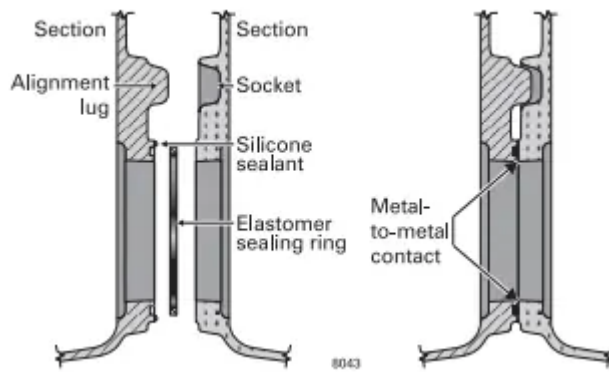
**NOTICE:** Important — Leave an equal amount of thread on each end of the draw rod. This is needed to allow securing the jacket support brackets in place.

c. Draw rods should be torqued to a range of 100 to 120 ft-lbs. Do not back off draw rods.

d. Metal-to-metal contact will be achieved around port openings. See Figure 8. If gap occurs, it should be no greater than .032". Check with feeler gauge.

e. If, for any reason, gap around machined port opening exceeds .032", check for rope extending from rope grooves, dirt on port openings or sockets, or misaligned lugs. If corrections are made and gap still exists, contact your Weil-McLain distributor or sales office before continuing installation.

**Figure 8** Sealing ring installation and port alignment



**CAUTION:** After erecting first intermediate section, check both sections for plumb. Failure to plumb sections can cause misaligned piping and breaching, possibly resulting in property damage.

6. Repeat steps 1-5.

7. Check each section for proper sealing rope position before proceeding to next section.

**WARNING:** Failure to position sealing rope properly can cause boiler to not seal gas-tight. Gas tight seal prevents possible flue gas leakage and carbon monoxide emissions, resulting in severe personal injury or death.

8. Install remaining intermediate sections and front section using the same procedure.

### If using tankless heater (TI) sections

- Install tankless heaters and gaskets or heater cover plates and gaskets. Use 3/8" x 3/4" studs, washers and nuts.

**Figure 9** Section arrangement

Boiler model number W = water S = steam	Max. number of tankless heaters	Section arrangement (all heaters must be on left side of boiler)
		F = front / B = back / I = Intermediate TI = tankless intermediate    SI = supply intermediate (steam only) "I" can be substituted for "TI" sections
488 W&S	1	F • TI • I • B
588 W&S	2	F • TI • I • TI • B
688 W&S	2	F • TI • I • TI • I • B
788 W&S	3	F • TI • I • TI • I • TI • B
888 W&S	3	F • TI • I • TI • I • TI • I • B
988 W&S	4	F • TI • I • TI • I • TI • I • TI • B
1088 W&S	4	F • TI • I • TI • I • TI • I • TI • I • B
1188 W&S	5	F • TI • I • TI • I • TI • I • TI • I • TI • B
1288 W	5	F • TI • I • TI • I • TI • I • TI • I • TI • I • B
1288 S	4	F • TI • I • TI • I • SI • I • TI • I • TI • I • B
1388 W	6	F • TI • I • TI • I • TI • I • TI • I • TI • I • TI • B
1388 S	6	F • TI • I • TI • I • TI • SI • TI • I • TI • I • TI • B
1488 W	6	F • TI • I • TI • I • TI • I • TI • I • TI • I • TI • I • B
1488 S	5	F • TI • I • TI • I • TI • I • SI • I • TI • I • TI • I • B
1588 W	7	F • TI • I • TI • I • TI • I • TI • I • TI • I • TI • I • TI • B
1588 S	7	F • TI • I • TI • I • TI • I • TI • SI • TI • I • TI • I • TI • B
1688 W	7	F • TI • I • TI • I • TI • I • TI • I • TI • I • TI • I • TI • I • B
1688 S	7	F • TI • I • TI • I • TI • SI • TI • I • TI • I • TI • I • TI • I • B
1788 W	8	F • TI • I • TI • I • TI • I • TI • I • TI • I • TI • I • TI • I • TI • B
1788 S	8	F • TI • I • TI • SI • TI • I • TI • I • TI • SI • TI • I • TI • I • TI • B
1888 W	8	F • TI • I • TI • I • TI • I • TI • I • TI • I • TI • I • TI • I • TI • I • B
1888 S	6	F • TI • I • TI • I • SI • I • TI • I • TI • I • SI • I • TI • I • TI • I • B

## Perform hydrostatic pressure test

### Prepare boiler and test:

1. See Figure 10 and Figure 11 for tapping locations. Install:
  - a. Boiler drain (not furnished).
  - b. Water pressure gauge — for test only. Be sure gauge can handle test pressure — see step 3.
  - c. Air vent in upper tapping (K).

2. Plug remaining tappings.

**CAUTION:** Do not pressure test with any control installed. Damage to control can occur due to overpressure.

3. Fill boiler. Vent all air. Pressure test at least 10 minutes at a pressure not less than the following:

a. **Steam boiler: Between 45 and 55 psig.**

b. **Water boiler: 1 1/2 times maximum allowable working pressure (MAWP)** stamped on the boiler nameplate, located on boiler jacket front panel.

**CAUTION:** Do not exceed above test pressures by more than 10 psig.

**WARNING:** Do not leave boiler unattended. Cold water fill could expand and cause excessive pressure, resulting in severe personal injury, death or substantial property damage.

4. Check for maintained gauge pressure and leaks. Repair if found.

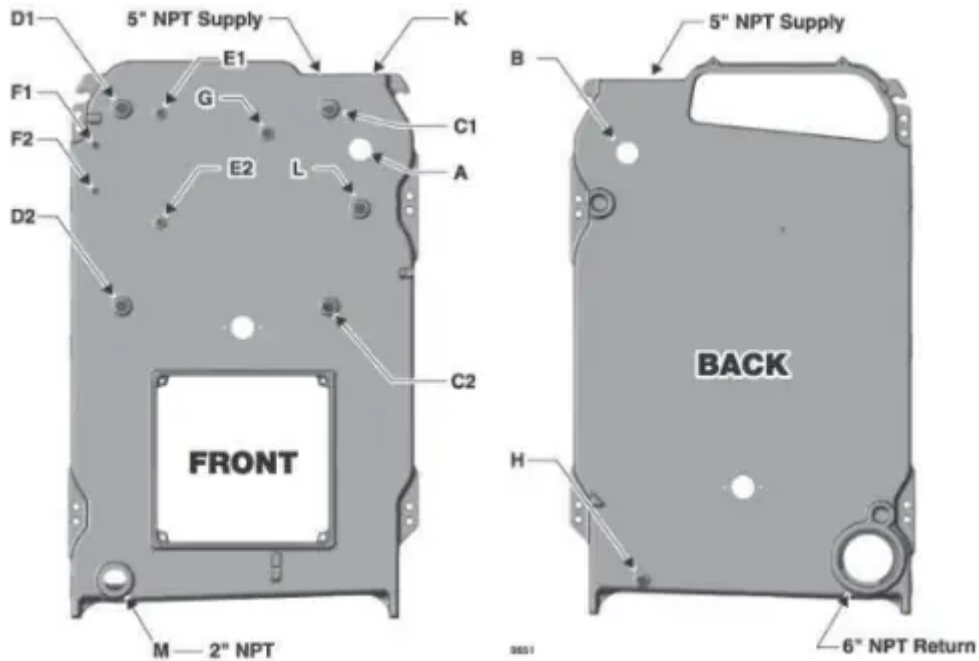
**WARNING:** Leaks must be repaired at once. Failure to do so can damage boiler, resulting in substantial property damage. Do not use petroleum-based cleaning or sealing compounds in boiler system. Severe damage to system components can result, causing substantial property damage.

5. Drain boiler and remove air vent, boiler drain and gauge. Remove plugs from tappings that will be used for controls and accessories.

**Figure 10** Boiler tapping locations and sizes (see Figure 11)

Location	Size	Steam	Water
A	2"	Steam relief valve and/or Skim tapping	High limit Manual reset limit
B	2"	Steam relief valve	Water relief valve
L	1"	Secondary probe LWCO	Not used — Plug
C1 & C2	1"	Low water cut-offs	Alternate low water cut-offs
C1		—	Combination high and low limit control
D1 & D2	1"	Alternate low water cut-offs	Firing rate temperature control (when used) Low water cut-offs
E1 & E2	1/2"	Gauge glass	—
F1 & F2	3/4"	Try cock tappings	—
G	3/4"	Pressure limit control, Pressure operating control and pressure gauge, Firing rate pressure control (when used)	Combination pressure-temperature gauge
H	3/4"	Boiler drain (see Figure 18, page 15, for system blow-off (drain) valve locations and sizes)	Boiler drain
K	1"	—	Piping to compression tank or automatic air vent
M	2"	Blowdown/drain	—

**Figure 11** Boiler tappings



## Complete block assembly

### Install burner mounting plate on front section

1. Install four (4) 1/2" x 3 1/2" studs to secure burner mounting plate to section:
  - a. Thread and lock together two (2) nuts on rounded end of stud. Thread flat end of stud into one of four (4) holes located around opening.
  - b. Remove nuts.
  - c. Repeat steps a and b for remaining studs.
2. Install burner mounting plate:
  - a. Apply 1 continuous bead of sealing rope adhesive in groove around opening in section.
  - b. Position 1/2" sealing rope in groove. Overlap ends at least one inch.
  - c. Install burner mounting plate with part number and the word, "UP," positioned at top. Use 1/2" washers and nuts.

### Install observation port assemblies on front and back sections

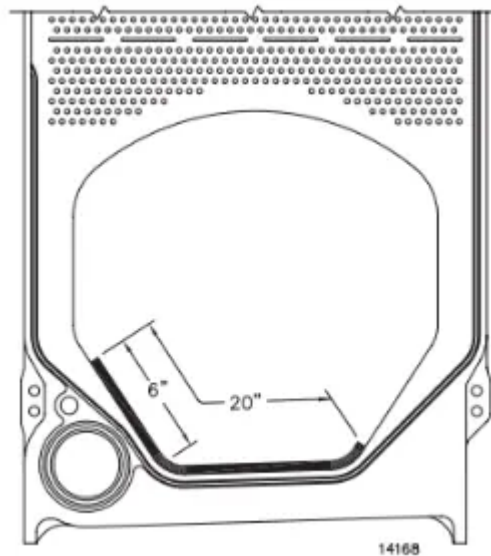
1. Install front observation port assembly:
  - a. Apply 1 continuous bead of sealing rope adhesive in groove on observation port.
  - b. Position 3 sealing rope in groove.
  - c. Secure assembly to section. Use 10-32 x 3/4" truss-head screws.
2. Repeat above steps for back observation port assembly.

## Install the combustion chamber blanket insulation

**WARNING:** The boiler contains ceramic fiber and fiberglass materials. Use care when handling these materials per instructions on page 34 of this manual. Failure to comply could result in severe personal injury.

1. Remove any debris from inside the combustion chamber, leaving the combustion chamber as clean as possible.
2. Apply waterglass to the bottom and left side of the combustion chamber (see drawing below for dimensions). Starting from the rear of the combustion chamber, unroll the combustion chamber blanket covering the bottom and left side as you work your way to the front of the boiler.
3. Cut off combustion chamber blanket 2-1/2" back from burner opening. Discard cut off piece.
4. Apply 1/8" continuous bead of sealing rope adhesive in sealing rope groove.
5. Position rope in groove, overlapping ends at least 1". Cut off excess rope and discard.

**Figure 12** Combustion chamber blanket location



## Insert HXT-bars

1. See Figure 13, page 13.
2. Flue HXT-bars are identified by painted ends. They must be inserted as shown, with the HXT-bars in the sequence:
  - **Top** position
  - **red-tipped**, HXT-bar 24 inches long — place on the top row of pins.

- **Middle position**

- **white-tipped HXT-bar**, 26 inches long — place on the first row of pins below the top clean-out plate boss.

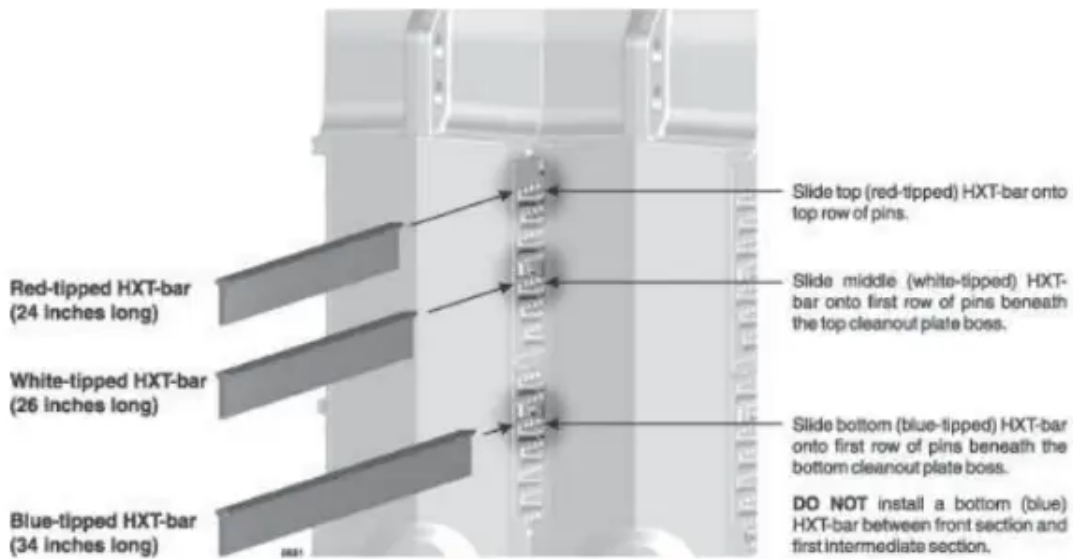
- **Bottom position**

- **blue-tipped HXT-bar**, 34 inches long — place on the first row of pins below the bottom clean out plate boss.

**NOTICE:** DO NOT insert a bottom HXT-bar into the opening between the FRONT section and the first intermediate section.

3. To remove flue HXT-bars when required to clean the boiler flueways, grab the end of each HXT-bar with pliers and pull straight out. Clean HXT-bars and replace as shown in Figure 13, page 13.

**Figure 13** Insert HXT-bars through clean out openings as shown below (omit the bottom, blue-tipped, HXT-bar in the opening between the front section and the first intermediate section)



## Install clean out plates

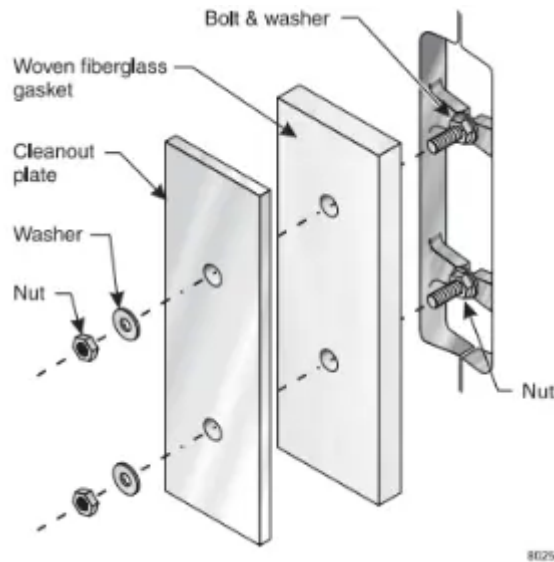
**WARNING:** Clean out plates must be installed gas-tight to prevent possibility of flue gas leakage and carbon monoxide emissions, resulting in severe personal injury or death.

1. See Figure 14.
2. Position two (2) 1/4" x 13/4" carriage bolts in clean out opening, between the clean out plate bosses, as shown. Secure with washers and nuts.
3. Place woven fiberglass gasket over carriage bolts.
4. Mount clean out plate over opening. Secure with nuts and washers.
5. Repeat steps 1 through 3 for remaining clean out plates.

## Install draft hood collar

1. Install 1/8" continuous bead of sealing rope adhesive in groove on draft hood collar.
2. Position 1/2" sealing rope in groove. Overlap ends of rope at least 1 inch.
3. Mount collar over flueway outlet on back section. Secure with 1/2 x 1 1/2" hex head cap screws and washers.

**Figure 14** Clean out plate assembly



## Connect water boiler piping

### General water piping information

1. System water supply and return piping should be installed and piping connections attached to boiler before erecting jacket or installing controls.
2. Do not pipe in through supply and out through return. This creates reverse water flow through boiler that must not be used.
3. When installing in a system in which return water temperature can drop below 140°F, apply the by-pass piping with by-pass pump as shown in .

### Install piping

Install piping as shown in Figure 15, page 14 and Figure 19, page 15 if applicable) for single boilers. For multiple boilers, see Figure 20, page 15.

**WARNING:** Improperly piped systems or undersized piping can contribute to erratic boiler operation and possible boiler or system damage.

1. Connect supply and return piping:

- a. Size according to tables below.
- For known flow rates or higher flow rate (less than 20°F temperature rise) through boiler, see Figure 16.
- For unknown flow rates, size piping per Figure 18, page 15, using 20°F temperature rise through boiler.

**WARNING:** Flow at higher rates than shown in the tables in this manual for given pipe sizes can damage the boiler, causing substantial property damage.

- b. Locate circulator in supply piping.
- c. For return piping, use full diameter pipe for 10 times that diameter before making any reduction. For example, a 4-inch return should not be reduced any closer to boiler return tapping than 40 inches.
- d. Install system blow-off (drain) valve in lowest part of return piping close to boiler. ASME minimum size requirements are given in Figure 18, page 15.

## 2. Install expansion tank:

- a. Closed type – connect to 1" tapping "K" (see page 11). Use NPT piping. Any horizontal piping must pitch up toward tank at least 1 inch per each 5 feet of piping.
- b. Diaphragm type – Refer to tank manufacturer's literature for location. Install automatic air vent in "K" tapping.
- c. Connect cold water fill to expansion tank piping. Figure 15 shows typical piping when using a closed type tank. Connect to the same location as the expansion tank connects to the system when using a diaphragm type tank.
- d. Also shown are recommended valves and water meter, when used. Water meter will detect added make-up water, indicating leaks in system.

**Figure 15** Water boiler piping, typical

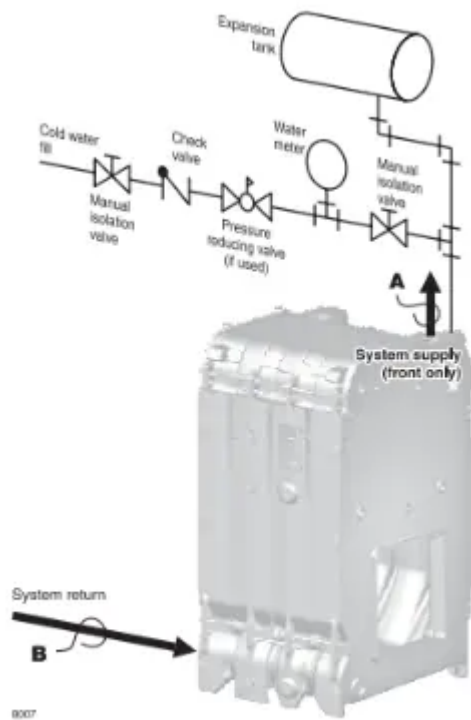


Figure 16 Recommended minimum pipe sizes for known flow rates (note 1)

Water flow rate GPM	Supply pipe size A	Return pipe size B
Up to 35	2"	2"
36-50	2½"	2½"
51-77	3"	3"
78-142	4"	4"
143-237	5"	5"
238-404	6" (note 2)	6"

Note 1 High temperature rise through boiler is permissible when boiler piping connections are sized per this table. **Intermittent** flow at **high** velocities may damage any boiler.

Note 2 6-inch piping requires nipples and 5" x 6" reducing couplings (provided with 1288 through 1888 boilers only). The total pressure drop through the 1888 boiler using the nipple and reducing coupling will not exceed ¼ PSI. For smaller boilers, the pressure drop will be less.

Figure 17 Recommended minimum pipe sizes when flow rate is not known (see Figure 15, page 14) (note 1)

Boiler model	Supply pipe size A	Return pipe size B
488	3"	3"
588 - 788	4"	4"
888 - 1188	5"	5"
1288 - 1888	6" (note 2)	6" (note 2)

Note 1 Pipe sizes are based on a 20°F temperature rise through the boiler. For applications with higher flow rates (lower temperature rise), determine the flow rate and use Figure 16, page 14 to size the piping.

Note 2 6-inch piping requires nipples and 5" x 6" reducing couplings (provided with 1288 through 1888 boilers only). The total pressure drop through the 1888 boiler using the nipple and reducing coupling will not exceed ¼ PSI. For smaller boilers, the pressure drop will be less.

Figure 18 ASME blowoff/drain valve size



## Piping multiple boilers

1. See Figure 19. (Expansion tanks, relief valves and other accessories are required, but omitted from the illustration for simplicity.)
2. The boiler piping circuits are referred to as the secondary circuits in the following.
3. The legend for Figure 19 and boiler pump sizing recommendations follow:

**A** Size boiler pump GPM based on the following:

a Temp rise = Operating limit temp – Return water temp

b. 
$$\text{GPM} = \frac{\text{Boiler Gross Output, Btuh}}{\text{Temperature rise} \times 500}$$

- c. Calculate only secondary (boiler) piping circuit resistance. Allow for head loss through the boiler equal to three 90 degree elbows of secondary pipe size.
- d. Operate each boiler and its pump with a Weil-McLain boiler control panel.
- e. Size secondary (boiler) circuit piping using the flow rate ranges given in Figure 18, page 15.

**B** Primary pump GPM and head calculation should not include secondary boiler circuits. Primary pump can operate continuously during heating season.

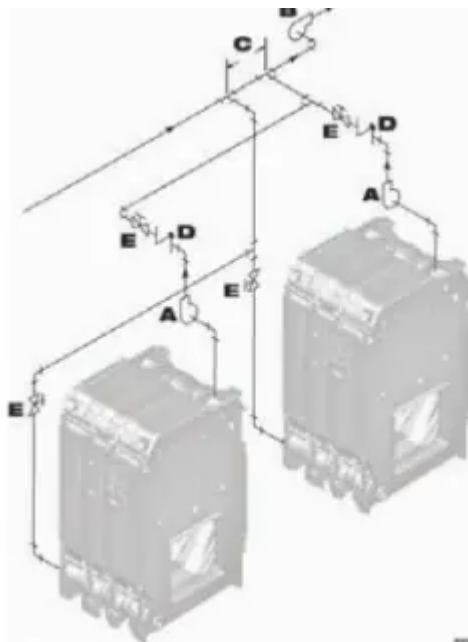
**C** Connection to primary circuit — Space 12" maximum or as close as practical.

**D** Check valve.

**E** Hand valve.

**Figure 19** By-pass piping for return water less than 140°F

**Figure 20** Multiple water boiler piping

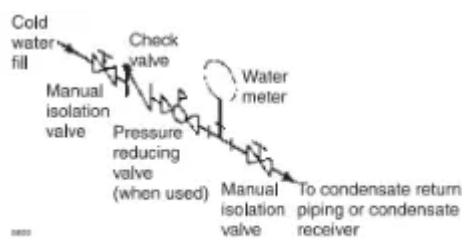


## Connect steam boiler piping

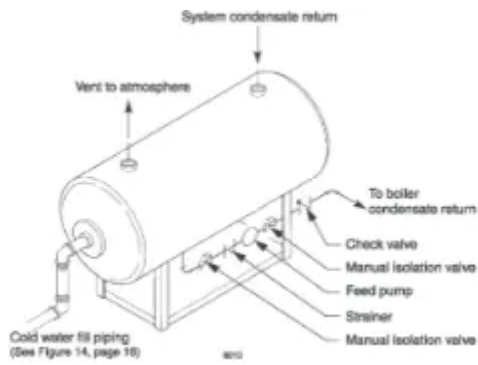
### General steam piping information:

1. Hartford loop piping arrangement and wet return are required for steam boilers. Use the Hartford loop for both pumped-return and gravity-return systems.
2. Maintain 24-inch minimum from waterline to bottom of header from bottom of section).
3. When using condensate receiver, feed pump must be energized by boiler-mounted pump controller.
4. Install piping:
  - a. Install piping as shown on page 17 through page 18 for single boilers. See page 19 for additional requirements when piping multiple boilers.
  - b. Return pipe sizing.
    - Pumped return — Size return piping by pump.
    - Gravity return — Size gravity return same as Hartford loop equalizer pipe size.
  - c. Drain valve — Install system drain valve in lowest part of return piping close to boiler. See Figure 18, page 15, for sizing.
  - d. Cold water fill piping — Connect cold water fill piping as shown in Figure 21. Also shown are recommended valves and water meter, if used. Water meter will detect added makeup water, indicating leaks in system.
  - e. Condensate return piping:
    - Satisfactory operation of any steam heating system depends on adequate return of condensate to maintain steady water level.
    - Avoid adding excessive amounts of raw make-up water.
    - Where condensate return is not adequate, a low water cutoff with pump control, condensate receiver, and condensate boiler feed pump should be installed.
    - See Figure 22 for piping and Figure 23 for sizing.

**Figure 21** Cold water fill piping



**Figure 22** Condensate piping to boiler



**Figure 23** Condensate receiver capacity required

Boiler model number	AHRI gross output (lbs steam per hour)	Gallons condensate per hour	Minimum condensate receiver capacity (gallons) (Note 1)				Recommended condensate feed pump capacity GPM at 15 PSI
			15-minute boiler operation	30-minute boiler operation	45-minute boiler operation	60-minute boiler operation	
488	810	97	29	58	87	116	3.2
488R	794	95	28	57	85	114	3.1
588	1084	130	39	78	117	156	4.3
688	1358	163	49	98	147	196	5.4
788	1632	195	59	117	176	234	6.5
888	1904	228	68	137	205	273	7.6
988	2170	261	78	157	235	313	8.7
988R	1991	239	72	145	217	289	8.0
1088	2452	294	88	176	265	353	9.8
1088R	2304	277	83	166	249	332	9.2
1188	2724	327	98	196	294	382	10.9
1288	3000	360	108	216	324	432	12.0
1388	3270	392	117	235	353	470	13.1
1488	3550	426	127	255	383	511	14.2
1588	3820	458	137	274	412	550	15.3
1688	4090	490	147	294	441	588	16.4
1688R	3980	478	143	287	430	574	15.9
1788	4370	524	157	314	471	629	14.5
1888	4640	557	167	334	501	668	18.6

Note 1 — Maximum time to when condensate returns to boiler — the longer the time for condensate to return, the larger the receiver must be.

**CAUTION:** Improperly piped systems or undersized piping can contribute to erratic boiler operation and possible boiler or system damage. Piping system must be installed as shown, using pipe sizes shown. Pipe sizes shown are for two-pipe, pumped-return systems. Adjust pipe sizing as needed when connecting to gravity-return systems. Consult local Weil-McLain distributor or sales office before installing alternate piping.

### Steam boiler piping guidelines

#### Minimum height of header above water line must be inches

**WARNING:** The boiler header must always be at least 24 inches above the water line, as shown in all steam boiler piping diagrams. Installing the pipe lower will result in increased water carryover to the system, resulting in potential serious damage to system components and oxygen corrosion due to excess make-up water.

**NOTICE:** Near boiler piping must be as shown in Figure 25. The near boiler pipe may be welded between the needed threaded joints. A threaded joint may not be replaced by a welded joint. The steam supply must be supported to allow movement.

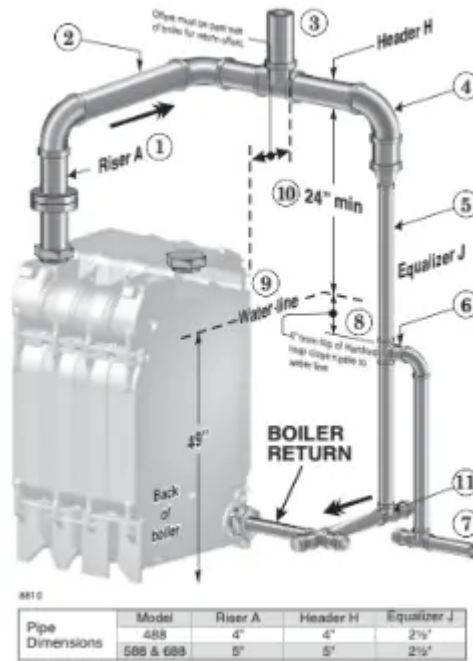


## Hartford loop piping for all steam boilers

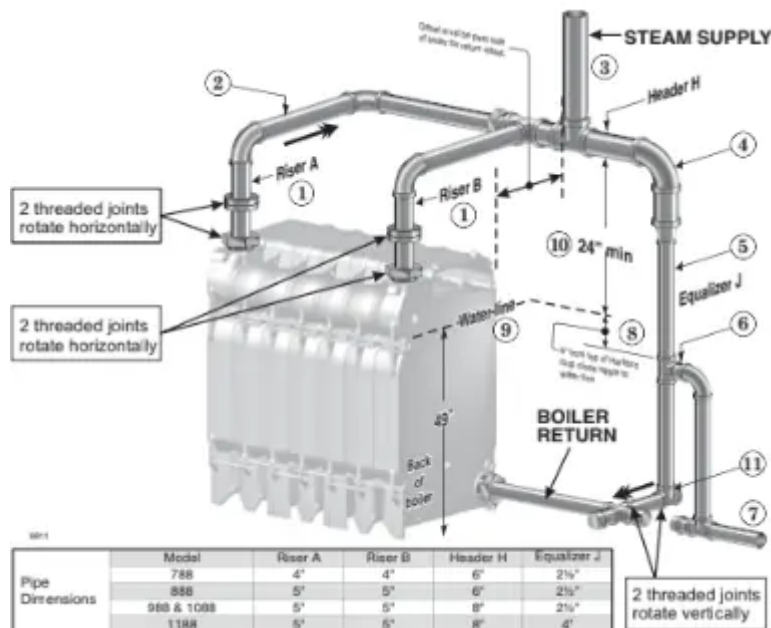
1. You must install the system supply pipe between the equalizer elbow and the last boiler riser pipe connection to the header. This assists in separating water from the steam as it turns upward into the steam supply pipe.

2. Locate the top of the Hartford loop return nipple at least 4 inches below the water line, as shown.

**Figure 24** Model 488 through 688 steam (1 riser)



**Figure 25** Model 788 through 1188 steam (2 risers required)

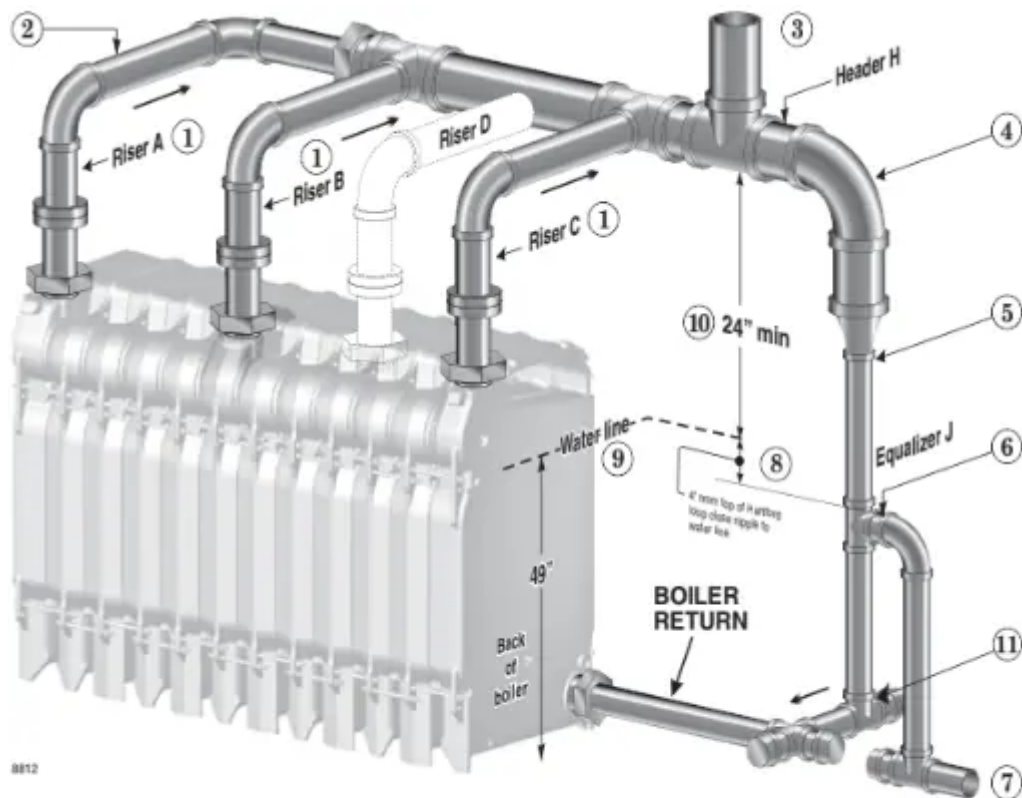


### Drawing legend & notes

(Figure 24 through Figure 27)

- 1 Riser pipes (one for each supply intermediate section)
- 2 Horizontal pipes needed to offset the header to allow for expansion and contraction of the header
- 3 Steam supply must be located between last riser connection and equalizer elbow
- 4 Equalizer elbow — full size or reducing
- 5 Equalizer pipe
- 6 Close nipple at Hartford loop tee to reduce water hammer potential
- 7 Condensate return line (gravity or pumped)
- 8 Minimum 4 inches between water line and top of Hartford loop return nipple
- 9 Boiler water line — all automatic water level controls must be set to maintain this level
- 10 Minimum 24 inches between water line and bottom of header
- 11 Offset tee

Figure 26 Model 1288 through 1888 steam (3 or 4 risers required)



	Model	Riser A	Riser B	Riser C	Riser D	Header H	Equalizer J
Pipe Dimensions	1288 – 1488	5"	5"	5"	NA	8"	4"
	1588 – 1688	5"	5"	5"	NA	10"	4"
	1788 – 1888	5"	5"	5"	5"	10"	4"

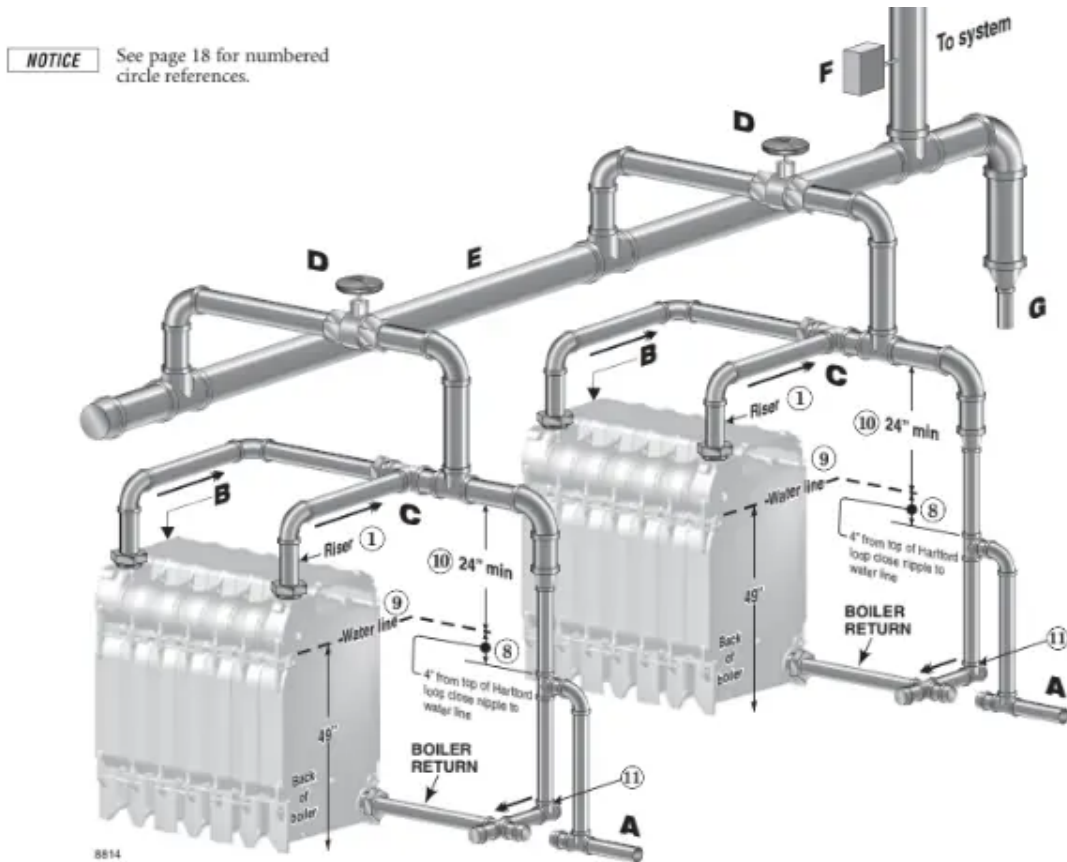


### Drawing legend & notes

(Figure 24 through Figure 27)

- 1 Riser pipes (one for each supply intermediate section)
- 2 Horizontal pipes needed to offset the header to allow for expansion and contraction of the header
- 3 Steam supply must be located between last riser connection and equalizer elbow
- 4 Equalizer elbow — full size or reducing
- 5 Equalizer pipe
- 6 Close nipple at Hartford loop tee to reduce water hammer potential
- 7 Condensate return line (gravity or pumped)
- 8 Minimum 4 inches between water line and top of Hartford loop return nipple
- 9 Boiler water line — all automatic water level controls must be set to maintain this level
- 10 Minimum 24 inches between water line and bottom of header
- 11 Offset tee

Figure 27 Multiple Steam Boiler Piping Gravity Condensate Return



**A** Pipe as shown for gravity return systems, connecting point A to the wet gravity return.

- For pumped-return systems, install boiler water level control on each boiler with body mark at level indicated in Figure 44, page 28 . Provide at point A either:
- Separate feed pumps and check valves for each boiler, or
- Single feed pump, with separate solenoid valve for each boiler.

**B** For pumped-return systems, install a combination float and thermostatic trap on each boiler to prevent flooding of one boiler while other boiler is firing. Install trap in skim tapping (see Figure 41, page 27). Connect traps to condensate receiver.

- Gravity-return systems are self-levelling if the wet returns are piped to the common system wet return.

**C** Install boiler piping as shown in the preceding pages of this manual.

**D** Install stop valves per ASME code requirements.

- For pump-return systems, if using automatic steam valves, use only slow-opening automatic valves. Use a Weil-McLain Boiler Control System (such as a BCP panel) to open each steam valve automatically before firing burner.

**E** Construct common supply drop header with pipe size at least same size as largest boiler header size.

**F** Use:

- A Weil-McLain Boiler Control System (such as a BCP panel) with header-mounted pressure control(s) to sequence boilers, or . . .
- A steam pressure controller.

**G** Install drip line in common supply drop header.

- Gravity-return: Pipe drip line to wet return.
- Pumped-return: Use combination float and thermostatic trap and drain to condensate receiver.

## Install jacket

### Before installing jacket

**WARNING:** The boiler contains ceramic fiber and fiberglass materials. Use care when handling these materials per instructions on page 34 of this manual. Failure to comply could result in severe personal injury.

1. These parts must be on boiler:

- a. Plugs for unused tappings
- b. Supply and return piping and steam supply header
- c. Clean out plates
- d. Tankless heaters (when used), tankless heater cover plates when used, tankless heater piping (when used)
- e. Flue damper assembly
- f. Observation port assemblies

2. These parts may be on boiler:

- a. Burner mounting plate

3. These parts must be off boiler:

- a. Water or steam gauge
- b. Limit control and low water cutoff
- c. Gauge glass and gauge glass cocks, tri-cocks
- d. Drain cock

## Remove jacket parts from cartons

1. Locate jacket cartons.
2. Remove jacket parts from cartons as needed. Leave in cartons as long as possible to avoid damage.
3. Jacket parts are in the boxes listed below:

Part	Box label descriptions
Jacket screws (in jacket corner boxes)	included in <b>CRNR</b> boxes
Jacket support brackets & hex nuts	<b>BKT</b>
Jacket side support channels, upper & lower	included in <b>TRM/CHNL</b> boxes
Jacket front/rear support channels, upper & lower	<b>COM</b>
Jacket front panel	<b>PNL-F</b>
Jacket back panel	<b>PNL-B</b>
Jacket side and top panels	<b>L / R / T</b>
Jacket corners	<b>CRNR</b>
Jacket trim	<b>TRM/CHNL</b>

## Install support brackets/channels

1. Place upper and lower support brackets over draw rods as shown in Figure 30, page 21. Place the brackets on the sections as given in Figure 28. Sections are numbered from front to back.
2. Fasten each bracket loosely using two 5/8" nuts screwed onto the ends of the tie rods as shown.

**NOTICE:** Models 488 through 988 do not require lower support brackets. Only upper brackets are required.

Fasten all nuts and screws loosely during assembly to allow adjustment after all jacket frame parts are installed.

**Figure 28** Place support brackets as listed below

Boiler	Upper brackets on sections:	Lower brackets on sections:
488	2, 3	None
588	2, 4	None
688	2, 5	None
788	2, 6	None
888	3, 6	None
988	2, 5, 8	None
1088	3, 6, 9	6
1188	3, 6, 9	6
1288	3, 7, 10	7
1388	3, 7, 11	7
1488	3, 7, 10, 13	7
1588	2, 5, 8, 11, 14	8
1688	2, 5, 9, 12, 15	9
1788	2, 5, 9, 13, 16	9
1888	2, 6, 10, 14, 17	10

3. Attach the upper channels to the upper supports as shown in callouts , and , Figure 30, page 21. Use two #10 x 1/2" screws at each bracket. Models 988 and larger have two-piece channels.

- The side channels are labelled A and B in Figure 30. Figure 29 gives the lengths of the side channel parts for each model.
- The channels at the boiler front and rear are part numbers 426400030 & 426400031, respectively.

**Figure 29** Upper and lower side channel lengths

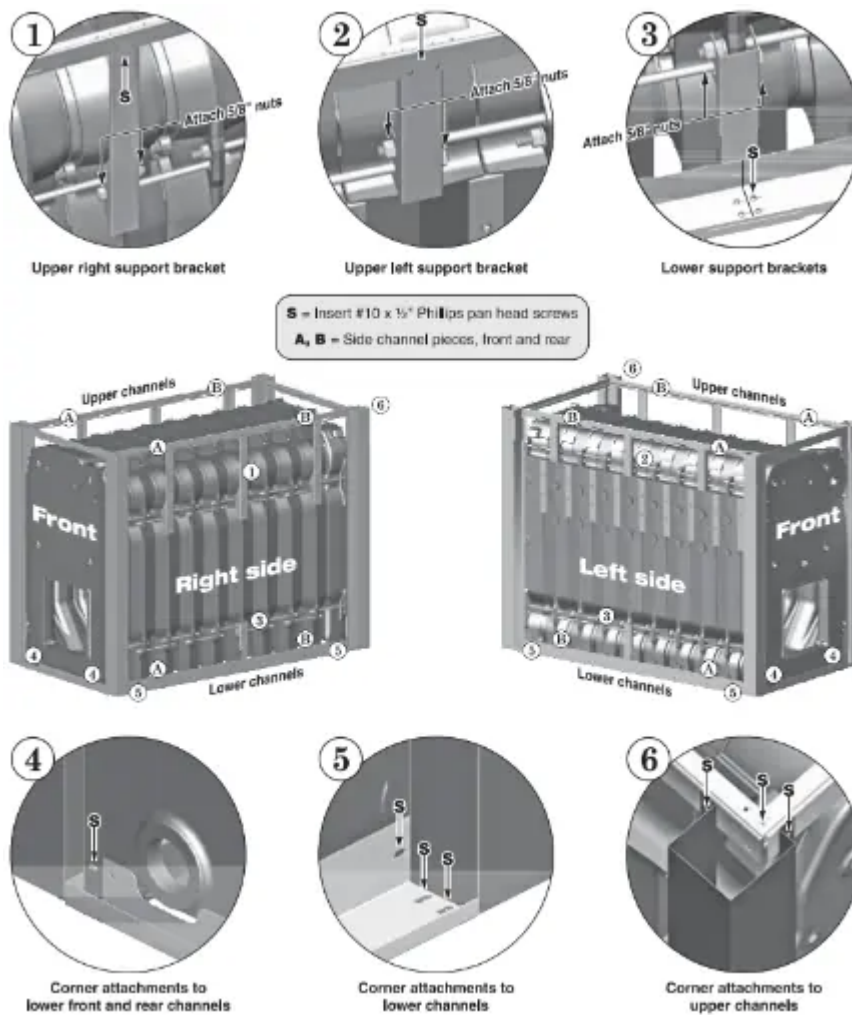
Boiler	Upper channel lengths (inches)		Lower channel lengths (inches)	
	A	B	A	B
488	30	NA	25	NA
588	38	NA	34	NA
688	46	NA	42	NA
788	54	NA	50	NA
888	62	NA	58	NA
988	35	35	66	NA
1088	43	35	40	34
1188	43	43	40	42
1288	51	43	48	42
1388	51	51	48	50
1488	51	59	48	58
1588	59	59	56	58
1688	67	59	64	58
1788	67	67	64	66
1888	71	71	72	68

4. Attach the four jacket corners to the upper channels as shown in callout , Figure 30, page 21. Corner part numbers are: 426400054 (front left), 055 (front right), back left), and 057 (back right).

5. Attach the lower side, front and rear channels to the jacket corners as shown in callouts and of Figure 30, page 21. Models 1088 and larger have two-piece side channels. The channels are labelled A and B in Figure 30. Figure 29 gives the lengths of these parts for each model. Front and rear lower channels are part numbers 426400032 and 426400033.

**Figure 30** Installing jacket support brackets, support channels and corners (piping and other components omitted for clarity)





## Install jacket front and back panels

1. Slide the jacket front and back panels down over the top channels and into the bottom channels as shown in Figure 32 .
2. Slide the upper and lower channels as needed to square up the fit .

## Install jacket side panels

1. Remove jacket side panels from cartons.
2. Before installing side panels, square up the jacket support rails.
  - Place any of the jacket side panels on the rails as shown in Figure 32 .
  - Butt the side panel against the jacket corner panel.
  - Push/pull on the upper and lower channels until the fit-up of the side panel, corner panel and channels is square.
  - Place a jacket top panel in position against the jacket front panel to ensure the top alignment is square. Adjust the jacket support rails forward or backward if needed for square alignment.

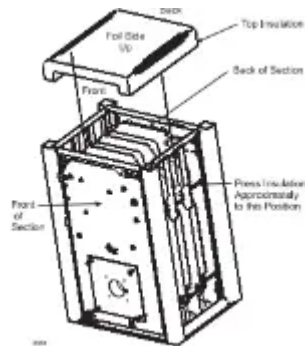
- Tighten the 5/8-inch nuts on the upper (and lower) support brackets.
  - Tighten the screws securing the upper and lower rails to the support brackets.
  - Tighten the screws securing the front and back panels to the rails.
3. Apply all jacket side panels in the order shown in Figure 34 .
- Remove jacket knockouts as required for tankless heaters and tankless heater openings.
  - Note that panel sequence is not important for boilers not equipped with tankless heater intermediate sections.

## Install top insulation

**WARNING:** The boiler contains ceramic fiber and fiberglass materials. Use care when handling these materials per instructions on page 34 of this manual. Failure to comply could result in severe personal injury.

1. Cut insulation to length.
2. Center and align front and back of insulation to outside edges of front and back sections.
3. Center insulation on top of sections, and fold sides of insulation until folded sides of insulation compress between section and top mounting brackets.

**Figure 31** Installing top insulation



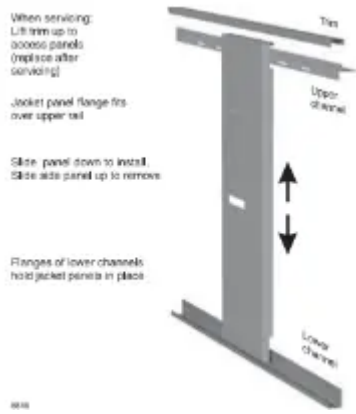
## Install jacket top panels

1. Place jacket top panels as shown in Figure 35, page 24 .
  - Remove knockouts for riser pipes and air bleed piping (front section) using tin snips.

## Install jacket trim

2. Press jacket trim down over the front and side jacket panels as shown in Figure 33 .

**Figure 32** Installing (removing) jacket front, rear and side panels



**Figure 33** Press jacket trim down over jacket front, rear and side panels



**Figure 34** Jacket side panel placement

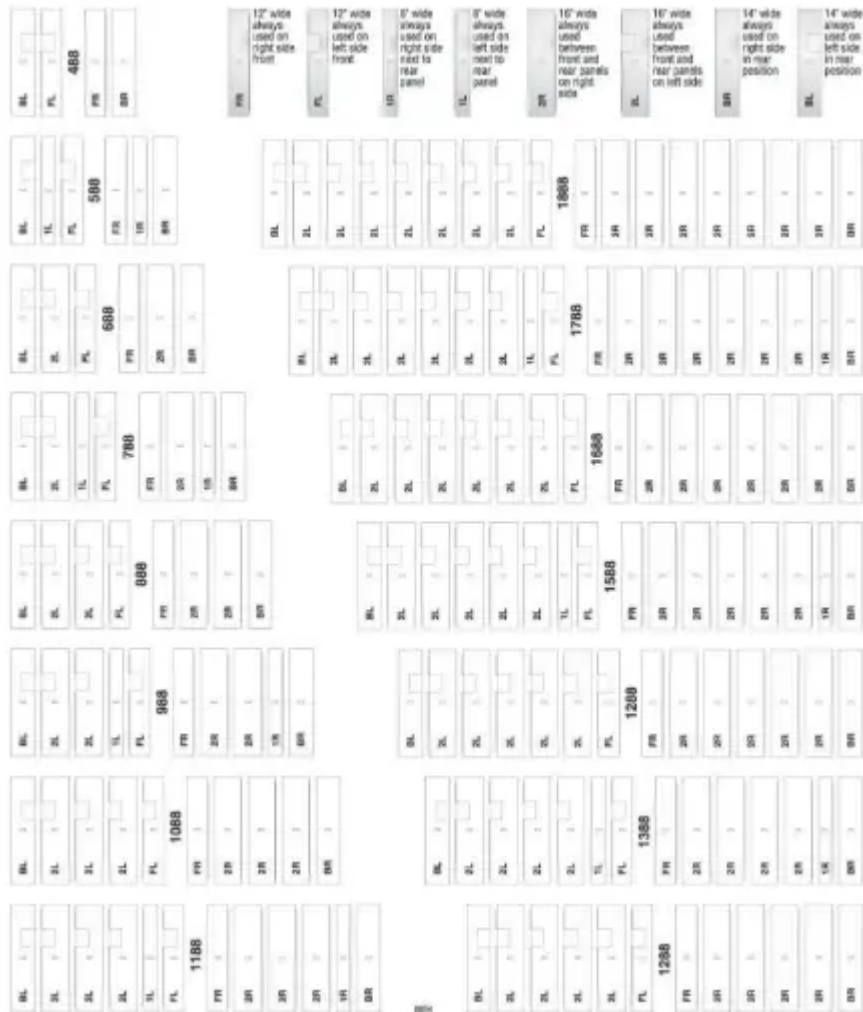
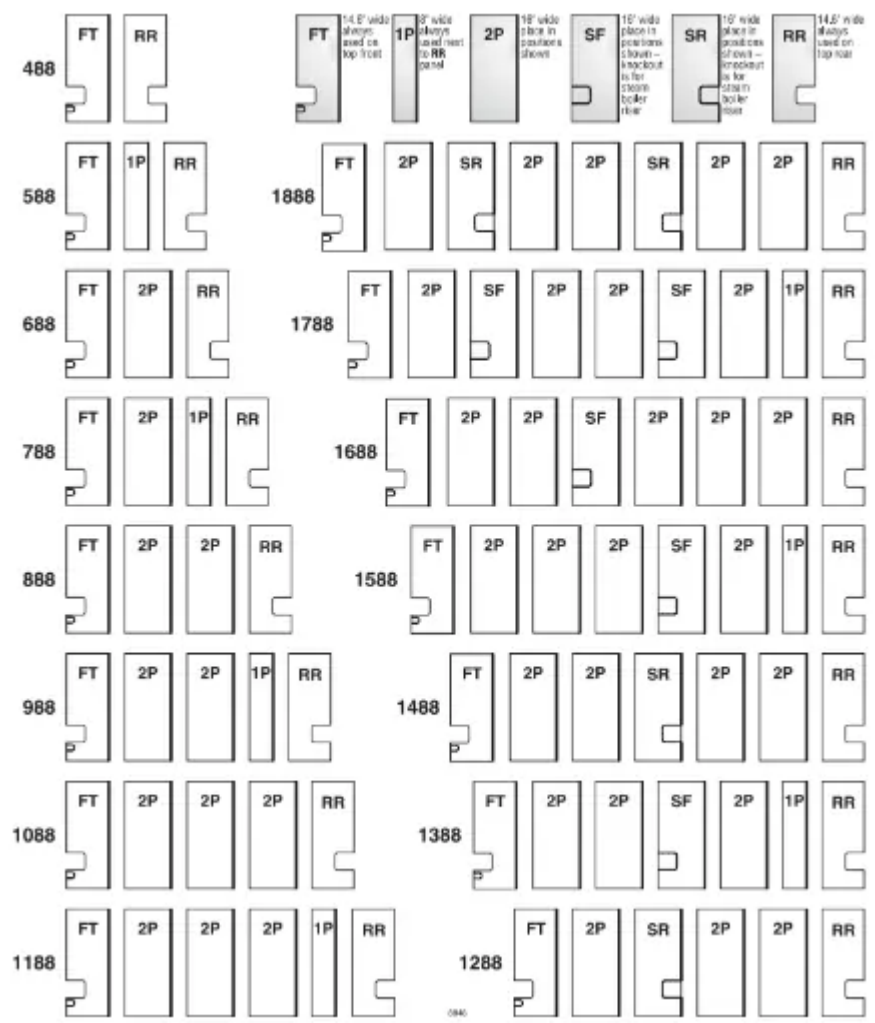



Figure 35 Jacket top panel placement





## Pipe tankless heaters

**▲ DANGER** Hot water can scald!



Consumer Product Safety Commission and some states recommend domestic hot water temperature of 130°F or less.

When installing an **Automatic mixing valve**, selection and installation **must** comply with valve manufacturer's recommendations and instructions.

Water heated to a temperature suitable for clothes washing, dish washing and other sanitizing needs will scald and cause injury.

Children, elderly, infirm or physically handicapped persons are more likely to be injured by hot water. Never leave them unattended in or near a bathtub, shower or sink. Never allow small children to use a hot water faucet or draw their own bath. If anyone using hot water in the building fits this description, or if state laws or local codes require certain water temperatures at hot water faucets, take special precautions:

- Install **Automatic mixing valve** set according to those standards.
- Use lowest practical temperature setting.
- Check water temperature immediately after first heating cycle and after any adjustment.

### To pipe tankless heaters:

1. Size piping no smaller than heater inlet and outlet.
2. **Automatic mixing valve** must be installed. See Figure 37. Follow manufacturer's instructions to install.
3. Flow regulating valve must be installed. Size according to continuous draw of heater. See Figure 36. Follow manufacturer's instructions to install.
4. Operating control with small adjustable differential scale is recommended. Install in temperature control tapping in heater plate.
5. Multiple tankless heaters (see Figure 37):
  - a. Use cold water supply header with individual risers to each heater. Size header by increasing one pipe size for each additional heater.

b. Use hot water outlet header with individual risers to each heater. Size header by increasing one pipe size for each additional heater.

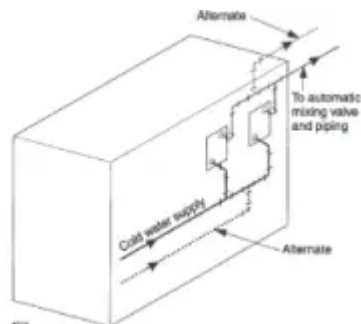
c. Do not pipe multiple heaters in series.

6. In hard water areas, soften cold domestic water supply to heaters to prevent lime build-up.

**Figure 36** Tankless heater ratings (Weil-McLain ratings)

Heater number	Intermittent draw - GPM (note 2)	Continuous draw GPM (notes 1, 2)	Inlet and outlet tapplings
#20	8.5	8.0	1/2"
Note 1	GPM based on 40-140°F DHW with boiler water at 200°F		
Note 2	Based on continuous draw with no recovery period		

**Figure 37** Tankless Heater Piping



## Install water boiler controls

### Install controls

1. Install furnished controls per Figure 39 and Figure 38.

**WARNING:** Failure to properly install, pipe and wire boiler controls can result in severe damage to boiler, building and personnel; and is not covered by boiler warranty.

2. Relief valve must be installed with spindle in vertical position. Use fittings provided with boiler. Do not make any other connection in that piping.

**WARNING:** Relief valve discharge line must be piped using rigid material suitable for 375°F, threaded one end, near floor close to drain to eliminate potential of severe burns. Do not pipe to any area where freezing could occur. Do not plug, valve or place any obstruction in discharge line.

3. When installing low water cut-off

a. Must be installed if boiler is located above radiation level.

b. May be required on water boilers by certain state, local or territorial codes or insurance companies.

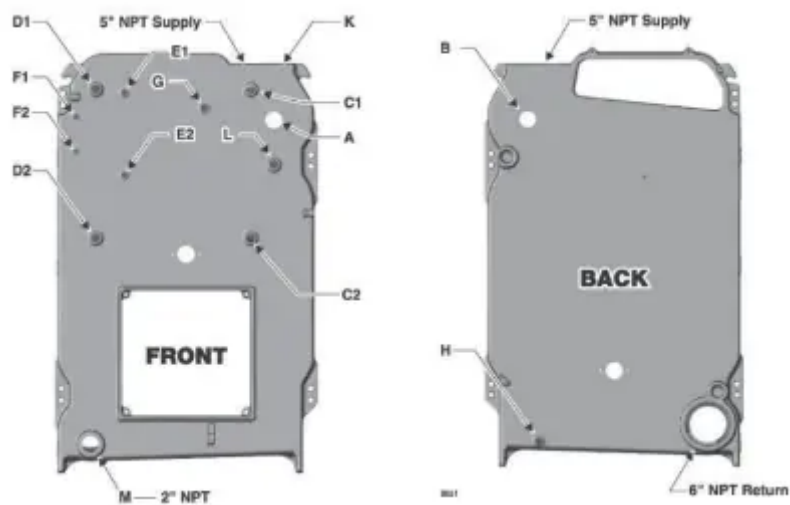
c. Install low water cutoff designed for water installations where shown in Figure 39 and Figure 38.

4. If installation is to comply with ASME installation requirements, an additional high temperature limit is needed. Purchase and install in supply line between boiler and isolation valve or in tapping "A."

5. Dual limit control settings: a Low – set according to design requirements. b High – at least 20° higher than low limit, 240°F maximum.

6. Install optional controls per control manufacturer's instructions.

**Figure 38** Water control locations



**Figure 39** Water control tappings (see Figure 38)

Location	Size	Function
A	2"	High limit Manual reset limit
B	2"	Water relief valve
L	1"	Not used — plug
C1 & C2	1"	Alternate low water cut-offs
C1		Combination high and low limit control
D1 & D2	1"	Firing rate temperature control (when used) Low water cut-offs
E1 & E2	½"	—
F1 & F2	¾"	—
G	¾"	Combination pressure-temperature gauge
H	½"	Boiler drain
K	1"	Piping to compression tank or automatic air vent
M	2"	Drain

## Install steam boiler controls

### Install controls:

1. Install controls where shown in Figure 40 and Figure 41.

**WARNING:** Failure to properly install, pipe and wire boiler controls can result in severe damage to boiler, building and personnel; and is not covered by boiler warranty.

a. Install steam pressure operating and high limit controls and pressure gauge. See Figure 40, Figure 41 and Figure 42, page 28. Pressure limit control settings:

- **Low** – set according to design requirements.
- **High** – set at least 2 psi higher than low limit, 15 psi maximum.

b. Relief valve must be installed with spindle in vertical position. Use fittings provided with boiler. Do not make any other connection in that piping.

**WARNING:** Pipe relief valve discharge through vertical piping to atmosphere. Use rigid material suitable for 375°F, threaded one end only. Install drain pan elbow to drain condensate. Pipe near floor close to floor drain to eliminate potential of severe burns. Do not pipe to any area where freezing could occur. Do not plug, valve or place any obstruction in discharge line.

c. Install water level controls and gauge glass per Figure 40, Figure 41 and Figure 44, page 28.

- Fittings for controls to be furnished by others.
- If water level control is not shown in Figure 43, page 28, locate casting mark on control and install per manufacturer's instructions.

**NOTICE:** Do not use water level controls with quick hook-up fittings. Nuisance shutdowns will occur.

**Figure 40** Steam control tappings (see Figure 41)

Location	Size	Function
A	2"	Steam relief valve and/or Skim tapping
B	2"	Steam relief valve
L	1"	Secondary probe low water cut-off
C1 & C2	1"	Low water cut-offs (see Figure 44, page 28)
C1	—	—
D1 & D2	1"	Alternate low water cut-offs (see Figure 44, page 28)
E1 & E2	½"	Gauge glass
F1 & F2	¾"	Try cock tappings
G	¾"	Pressure limit control, Pressure operating control and pressure gauge, Firing rate pressure control (when used)
H	¾"	Boiler drain (see Figure 18, page 15, for system blow-off (drain) valve locations and sizes)
K	1"	—
M	2"	Blowdown drain

**Figure 41** Steam control locations



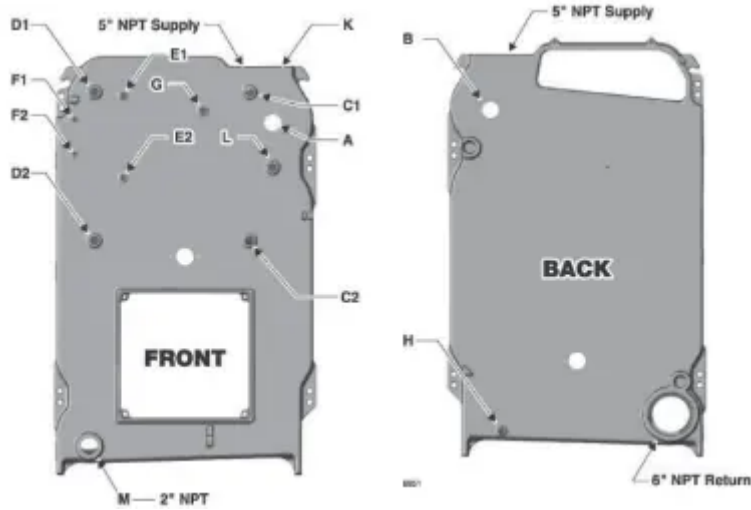


Figure 42 Steam control siphon and fittings

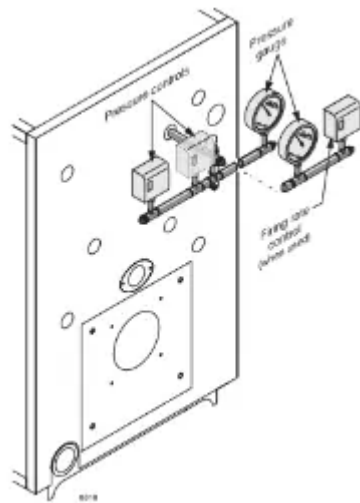


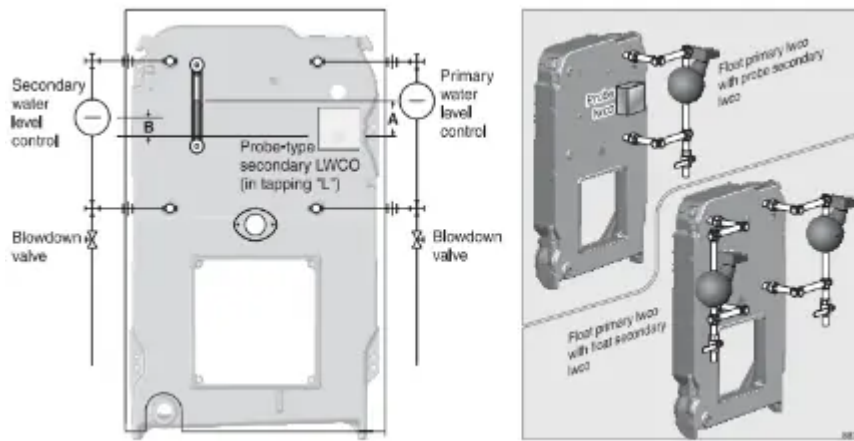
Figure 43 Float-type water level control locations

Primary water level control	Casting line height above bottom of gauge glass	Back-up water level control	Casting line height above bottom of gauge glass
Note 1	"A"	Notes 1, 2	"B"
61, 63	1"	None	—
	1½"	61, 63	½"
	2½"	None	—
150MD, 157MD (see Note 3)	2"	150	½"
	2½"	61, 63	½"
	2½"	51-2 & 51-S-2	½"
	2"	None	—
93, 193, 94 (see Note 3)	2"	93, 193, 94	½"
	2"	61, 63	½"
	2"	51-2 & 51-S-2	½"
51-2 & 51-S-2 (see Note 3)	1" to 1½"	None	—

Notes:

- Other manufacturer's controls providing similar function may be used, if properly located and selected.
- Use low water out/off function only. Pump controller function must only be handled by the primary control.
- When pump control is used with feedwater tank, install pump control on boiler and make-up water feeder on tank. Use separate low water out/off on boiler when back-up is needed. Do not install combined low water out/off and feeder as back up control on boiler. Feeder will operate before pump control operates.

Figure 44 Water level control locations (see Figure 43)



## Connect breeching and venting systems

### General venting information

1. Model 88 boilers operate with positive overfire pressure. Adjust damper assembly (see Figure 51, page 33) during burner start-up to achieve 0.1" W.C. positive pressure at damper sample hole.

### Select type of venting system

#### Forced draft

- Boiler, breeching and stub vent operate at positive pressure. Entire system must be gas-tight to prevent leaks. Stub vent height must be limited to prevent negative draft with 3-foot minimum stub vent height above roof. See Figure 46 and Figure 48.

#### Balanced draft

- Boiler operates with positive pressure overfire. Chimney may provide excess draft which may require a barometric draft control installed and set to provide minimum draft to maintain positive pressure at flue collar. Minimum chimney height above roof is 3 feet. See Figure 47 and Figure 49.

### Construct metal breeching:

1. See Figure 45 for minimum breeching diameter.
2. Select material type and thickness in compliance with local codes.

**WARNING:** Conventional flue pipe should not be used as it could leak flue gases and carbon monoxide emissions through seams and joints, resulting in severe personal injury or death.

3. Refer to ASHRAE Guide for chimney and breeching calculations and construction and lining.

**WARNING:** Long horizontal breechings, excessive number of tees and elbows or other obstructions restricting combustion gas flow can result in possibility of condensation, flue gas leakage and carbon monoxide emissions, causing severe personal injury or death.

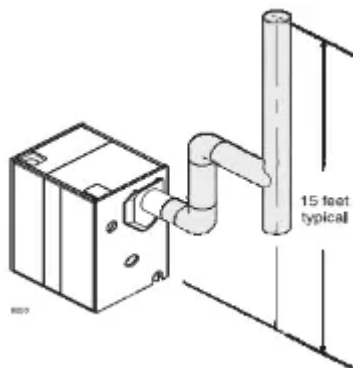
**Figure 45** Minimum breeching diameter

Boiler model	AHRI vent or liner diameter (inches)		Boiler flue collar dimensions (inches)
	Forced draft	Balanced draft Note 1	
488	10	12	10 round
588	10	15	10 round
688	12	15	10 round
788	12	18	12 round
888	14	18	12 round
988	14	18	14 round
1088	14	21	14 round
1188	16	21	14 round
1288	16	21	14 round
1388	16	24	14 round
1488	18	24	16 round
1588	18	24	16 round
1688	18	24	16 round
1788	18	24	16½ x 19½ oval
1888	20	27	16½ x 19½ oval

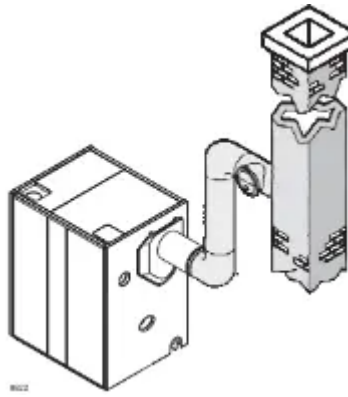
**Note 1:** Based on 15 feet chimney height, actual application may vary, use AHRI/ASHRAE guidelines for each individual installation.

## Connect breeching and venting systems

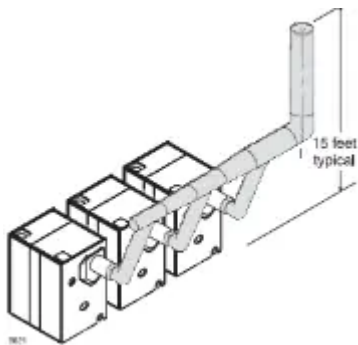
**Figure 46** Stub vent – forced draft — single boiler



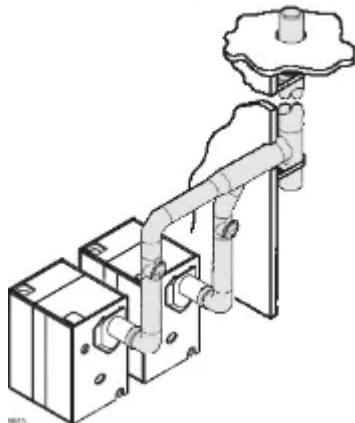
**Figure 47** Conventional chimney – balanced draft with barometric draft control when required — single boiler



**Figure 48** Stub vent – forced draft — multiple boilers



**Figure 49** Conventional chimney – balanced draft with barometric draft control when required — multiple boilers



## Install burner & wiring and fill system

### To install burner

1. Unpack burner.
2. Place gasket around air tube and against burner mounting flange. If sealing rope is used, apply 1 continuous bead of rope adhesive around burner mounting flange and apply sealing rope to make gas-tight seal.
3. Mount burner into opening in burner mounting plate.

**CAUTION:** Maintain gas-tight seal between burner mounting flange and plate to prevent damage to air tube.

**NOTICE:** If a boiler base is Not utilized, the applicable burner specification and boiler manual dimensions should be reviewed for burner height to burner opening in the boiler. Some burner manufacturers may offer an optional inversion kit to invert the burner allowing clearance to the floor.

4. Level burner using burner support brackets where required.
5. Secure with furnished bolts.
6. Retain burner information packet. Keep with boiler.

### **To wire burner and boiler controls**

**WARNING:** Electric shock hazard. Can cause severe personal injury or death if power source is not disconnected before installing or servicing boiler and burner.

1. Install all wiring in compliance with:
  - National Electrical Code ANSI/NFPA 70 - latest edition.
  - Any additional national, state, or local codes.
2. Follow burner manual and wiring diagram found in burner information packet.
3. Use #14 AWG wire for operating and safety circuit wiring.
4. Where burner motor voltage differs from control voltage, supply proper voltage to each. Size fused disconnects and conductors per National Electrical Code ANSI/NFPA 70 - latest edition.

### **Determine if water treatment is needed water boilers only)**

**WARNINGS:** Do not use petroleum-based cleaning or sealing compounds in boiler system. Severe damage to system components can result, causing substantial property damage.

Continual make-up water will reduce boiler life. Minerals can build up in sections, reducing heat transfer, overheating cast iron and causing section failure.

For unusually hard water areas or low pH conditions less than 7.0) consult local water treatment company. Provide a water softener for make-up water if hardness exceeds 7 grains.

### **Freeze protection (when used) water boilers only)**

1. Use antifreeze especially made for hydronic systems. Inhibited propylene glycol is recommended.

**WARNING:** Do not use automotive, ethylene glycol or undiluted antifreeze. Severe personal injury or death can result.

50% solution provides protection to about -30°F.

3. Local codes may require back-flow preventer or actual disconnect from city water supply.
4. Determine quantity according to system water content. Boiler water content is listed in "Ratings," page 35. Percent of solution will affect sizing of heat distribution units, circulator and expansion tank.
5. Follow antifreeze manufacturer's instructions.

### **To fill water boilers**

1. Close manual air vents and drain cocks.
2. Fill to correct system pressure. Correct pressure will vary with each installation.
3. Starting on lowest floor, open air vents one at a time until water squirts out. Close vent. Repeat with remaining vents.
4. Refill boiler to correct pressure.

### **To fill steam boilers**

1. Do not fill (except for leakage test) until boiler is ready to be fired.
2. Fill to normal waterline, halfway up gauge glass.
3. Recommend boiler water pH 7.0 to 8.5.

## **Install fuel piping**

### **Gas piping**

1. In sizing the gas piping, the following factors should be considered:
  - a. Diameter and length of the gas supply piping.
  - b. Number of fittings.
  - c. Maximum gas consumption (including any possible future expansion).
  - d. Allowable loss in gas pressure from the gas meter outlet to the boiler.
2. Minimum inlet natural gas pressure required at manual main shut-off valve — see the burner manual and material list.
3. Follow good piping practices.
4. Pipe joint compound (pipe dope) must be resistant to the corrosive action of liquefied petroleum gases and applied sparingly only to the male threads of pipe joints.

5. A ground joint union must be installed in the piping to provide for servicing. The supply piping must include a manual shut-off valve and sediment trap. See Figure 50.
6. Piping must be supported by hangers, not by the burner or its accessories.
7. Purge all air from the supply piping.
8. All gas piping must be tested for leaks after installation. Use soap suds mixture only.

## Fuel oil piping

**DANGER:** To prevent oil flow in case of oil line breakage:

- Use anti-syphon device when any part of the oil tank is above burner level.
- Use check valve in suction line on burner side of manual shut-off valve nearest tank when top of fuel oil tank is below burner level.

Failure to comply could result in fuel leakage or fire, causing potential severe personal injury, death or substantial property damage.

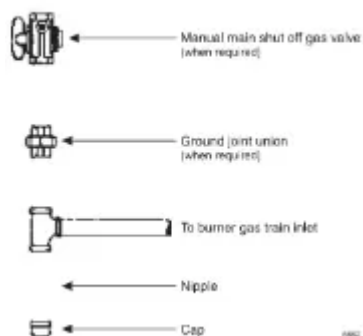
1. A two-pipe fuel oil piping system is required for all installations.
2. Supply and return lines must enter tank from top, extending to within 4 to 6 inches from bottom of tank.
3. Use oil filter sized for fuel pump suction gear capacity.
4. Install oil filter.

**CAUTION:** Do not install filter outside or close to an outside wall.

5. Use continuous copper tubing to reduce possible piping leaks and to ensure reliable seal when oil piping is buried.
6. Use flare fittings, not compression fittings.

**DANGER: Fire hazard** — DO NOT USE soldered fittings. No safe repair can be made.

**Figure 50** Gas supply piping



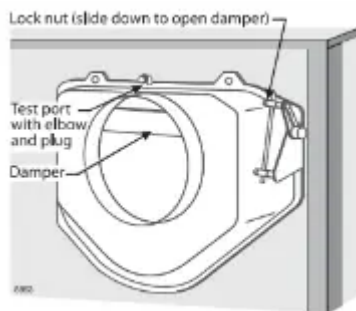
7. Follow good piping practices.

8. Pipe joint compound (pipe dope) must be resistant to corrosive action of fuel oil. Apply sparingly only to male threads of pipe joints.
9. Supply and return piping should be sized to design conditions, but not less than 1/2" O.D. continuous copper tubing.
10. Auxiliary fuel oil pump is recommended when suction line lift exceeds 12 feet.
11. Install swing joints so they will tighten as buried tank settles to prevent fuel line breakage.
12. Where iron pipe is required by local codes, make swing joints with nipples and elbows several inches long on both suction and return line. Locate close to tank.
13. Install manual shut-off valve in suction line piping near burner and where piping enters building from outside tank.
14. Pitch suction line piping toward fuel tank.
15. Provide tee and plug at highest point in suction line to release air from suction line and aid in priming.

## Make final adjustments

### Adjust burner and damper assembly:

**Figure 51** Flue collar/damper assembly



1. Lock flue damper OPEN (Figure 51).

**WARNING:** Make final burner adjustments using combustion test equipment to assure proper operation. Do not fire boiler without water. Sections will overheat, damaging boiler and resulting in severe property damage.

2. Refer to burner manual for start-up and service.
3. Let burner advance to high fire. Heat boiler to design conditions.
4. Using combustion test equipment, adjust burner for:
  - a. 12% ( $\pm 1/4\%$ ) CO<sub>2</sub> for No. 2 fuel oil, 0 smoke.
  - b. 9 – 10% CO<sub>2</sub> natural gas; CO in flue gas not to exceed 50 ppm

c. Flue gas temperature no lower than 330°F

**NOTICE:** On some applications, if draft conditions or burner characteristics cause the burner flame pattern to impinge on the combustion chamber wall, you may notice pinging sounds from the boiler. Adjust the burner if possible to redirect the flame. If this does not work, contact your boiler supplier or Weil-McLain to obtain an optional combustion chamber kit (see page 38 for contents).

5. Adjust flue collar damper (Figure 51) to ensure 0.1" W.C. positive pressure at test opening.

6. Tighten screws to secure in position.

7. Plug test opening with 1/8" plug provided with flue collar/damper assembly.

8. Adjust barometric draft control, when used, to design conditions.

9. Repeat steps 4 through 6. Adjust as required.

### **Skim steam boilers:**

**NOTICE:** Clean all newly installed steam boilers to remove oil. Failure to properly clean can result in violent water level fluctuations, water passing into steam mains, or high maintenance costs on strainers, traps and vents. Skim boiler only. Do not clean old piping or leaks can occur.

**WARNING:** Do not use petroleum-based cleaning or sealing compounds in boiler system. Severe damage to system components can result, causing substantial property damage.

1. Remove 2" plug from skim tapping "A" (see Figure 40, page 27).

2. Provide 2" skim piping from tapping to floor drain.

3. Raise waterline to midpoint of skim piping.

4. Fire burner to maintain temperature below steaming rate during skimming process.

5. Feed in water to maintain water level.

6. Cycle burner ON/OFF as needed to prevent rise in steam pressure.

7. Continue skimming until discharge is clear. This may take several hours.

8. Drain boiler.

9. While boiler is warm, but not hot, flush all interior surfaces under full pressure until drain water runs clear.

10. Remove skim piping.

11. Re-insert plug at boiler skim tapping.

12. Close drain cock.

13. Fill with fresh water to normal water line.
14. Start burner and steam for 15 minutes to remove dissolved gases.
15. Stop burner.
16. Check traps and air vents for proper operation.

### **Check boiler for gas-tight seal:**

**WARNING:** Boiler must be sealed gas-tight to prevent possible flue gas leakage and carbon monoxide emissions, resulting in severe personal injury or death.

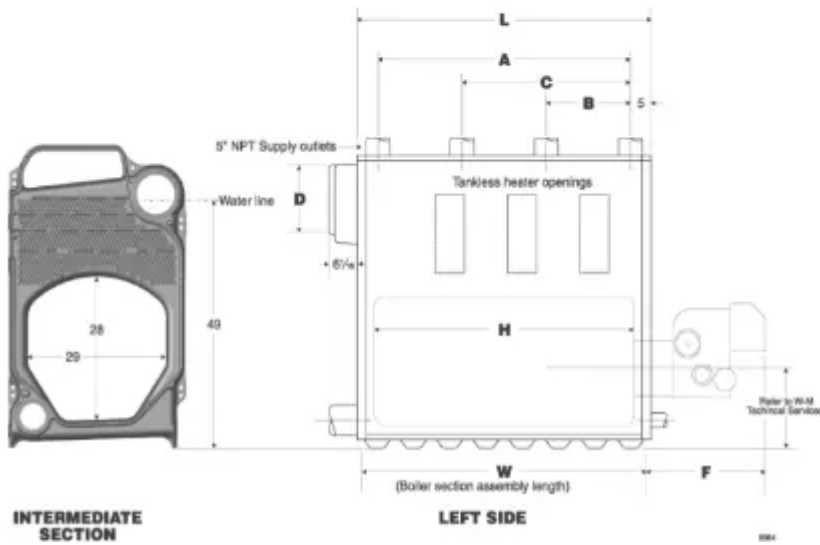
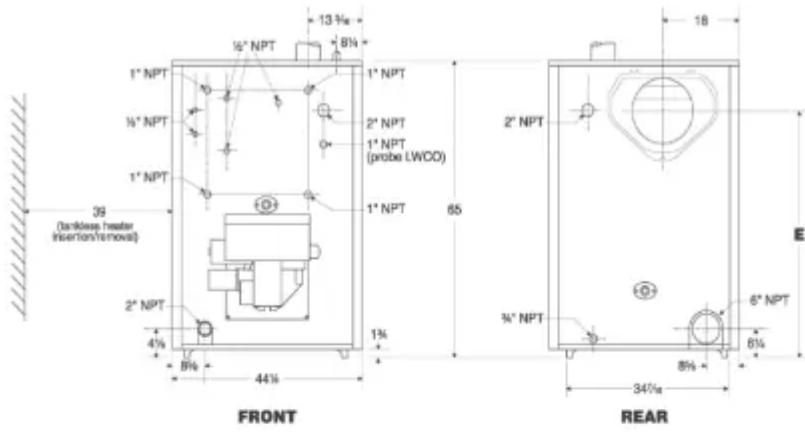
1. Remove boiler jacket side and top panels.

**WARNING:** The boiler contains ceramic fiber and fiberglass materials. Use care when handling these materials per instructions on page 34 of this manual. Failure to comply could result in severe personal injury.

2. Start burner. Observe all sealing points and chalk mark any not gas-tight.
3. To seal all chalk-marked areas:
  - a. Use silicone sealant on section flueways.
  - b. Check gaskets and sealing rope placement.
4. Reinstall all jacket panels.

## **Dimensions**

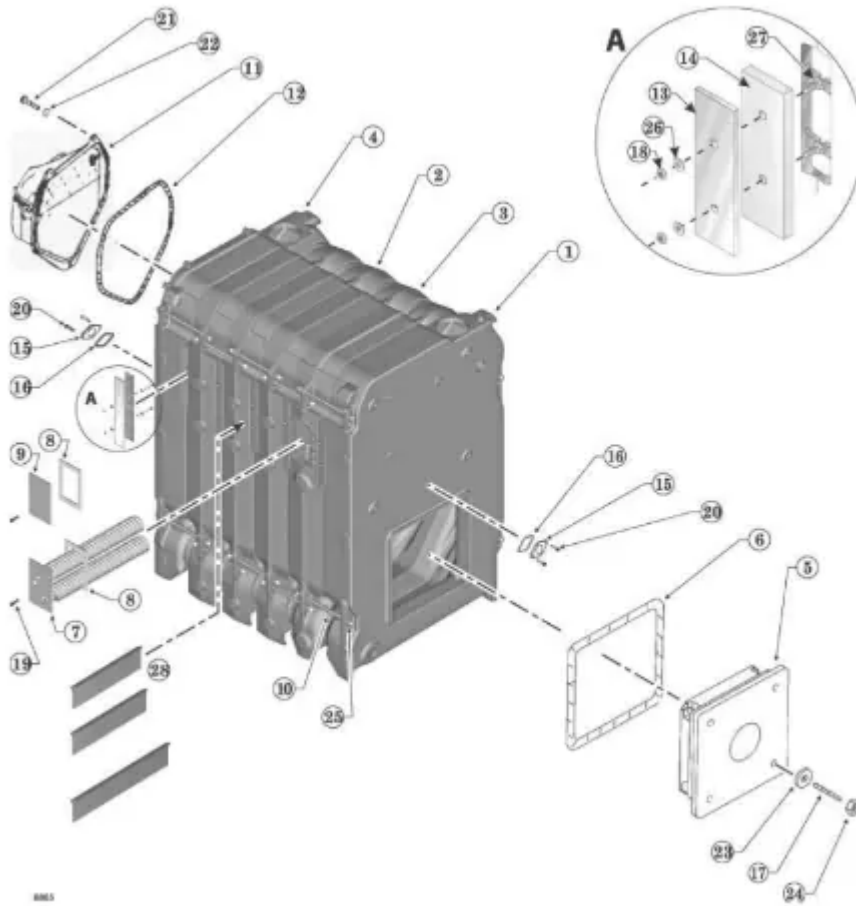
**Figure 52** Dimensions (see lettered dimensions on opposite page)



## Parts

Figure 53 Parts





## Weil-McLain® Cast Iron Gas Boiler and Oil Boiler

Models 80, 88, and 94

### Limited Warranty for Commercial Use

Retain proof of purchase and installation date.

#### A. What Does This Limited Warranty Cover?

This Limited Warranty for Commercial Use covers any defects in material and workmanship in your WeilMcLain Cast Iron Gas or Oil Boiler Model 80, 88, or 94 the “Product”).

#### B. How Long Does The Coverage Last?

There are two separate coverage periods under this Limited Warranty: (1) the Heat Exchanger Limited Warranty Period, and (2) the Parts Limited Warranty Period. The Heat Exchanger Limited Warranty Period runs for ten years from the date your Product was installed. The Parts Limited Warranty Period runs for one year from the date your Product was installed and applies to all parts of your Product except the heat exchange

#### C. Who Can Make Claims Under This Limited Warranty?

This Limited Warranty is available to you if you are the original retail purchaser or a subsequent owner and the Product has been used at any time for business purposes. A Product used at all times solely for personal, family, or household purposes is covered by the Limited Warranty for Residential Use for the Weil-McLain Cast Iron Gas Boiler and Oil Boiler Models 80, 88, and 94.

#### **D. What Will Weil-McLain Do To Correct Problems?**

If Weil-McLain determines during the Heat Exchanger Limited Warranty Period that a heat exchanger section is defective in material or workmanship, then Weil-McLain will provide a replacement heat exchanger section. If Weil-McLain determines during the Parts Limited Warranty Period that any part other than a heat exchanger section is defective in material or workmanship, then Weil-McLain will provide a replacement part.

Weil-McLain will provide replacement heat exchanger sections and other parts free of charge. Weil-McLain will furnish replacement heat exchanger sections from the closest comparable boiler model available from WeilMcLain at the time of the replacement.

If Weil-McLain provides a replacement heat exchanger section, then that replacement heat exchanger section will be covered under this Limited Warranty for the time remaining in the original Heat Exchanger Limited Warranty Period. If Weil-McLain provides a replacement for any part other than a heat exchanger section, then that replacement part will be covered under this Limited Warranty for the time remaining in the original Parts Limited Warranty Period.

#### **E. What Will Weil-McLain Not Do To Correct Problems?**

Weil-McLain will not pay for the labor to remove any heat exchanger section or other part that is the subject of your warranty claim or to install replacements provided under this Limited Warranty. Additionally, Weil-McLain will not pay for the cost of any tools, repair materials, or travel necessary to perform the removal or installation.

#### **F. What Is Not Covered Under This Limited Warranty?**

This Limited Warranty does not cover any Product that has been moved from its original installation site; any components that are not supplied by Weil-McLain; and any burner supplied by Weil-McLain. (Burners supplied by Weil-McLain are covered by a separate manufacturer's warranty.) Additionally, this Limited Warranty does not cover claims you make if the failure, malfunction, or unsatisfactory performance of, or damage to, your Product resulted from or is attributable to:

1. Inaccurate or incomplete information or data supplied or approved by any party other than Weil-McLain;
2. The failure to properly size the Product for its use;
3. Installation not done in accordance with manufacturer's instructions;

4. Services provided by and workmanship of the installer of the Product;
5. Components that are not supplied by Weil-McLain;
6. Improper or negligent operation, adjustment, control settings, repair, care, or maintenance of the Products, or the failure to adjust, set the controls of, repair, care for, or maintain the Products;
7. Operation with combustion air contaminated by chemical vapors, with improper fuel additives, or with water conditions that have caused deterioration or unusual deposits in the heat exchanger;
8. Freezing, accident, fire, flood, or other acts of God; abuse or misuse; unauthorized alteration; or power surges or failures; and
9. Normal wear and tear.

**WEIL-McLAIN'S MAXIMUM LIABILITY SHALL NOT EXCEED THE ACTUAL PURCHASE PRICE PAID BY YOU FOR YOUR PRODUCT. IN NO EVENT SHALL WEIL-McLAIN BE RESPONSIBLE FOR INDIRECT, INCIDENTAL, CONSEQUENTIAL (INCLUDING WITHOUT LIMITATION DAMAGE TO OR LOSS OF OTHER PROPERTY), OR PUNITIVE DAMAGES, WHETHER SUCH CLAIM OR ACTION IS BASED ON CONTRACT, WARRANTY, NEGLIGENCE, STRICT LIABILITY, OR ANY OTHER LEGAL THEORY. ALL IMPLIED WARRANTIES, INCLUDING MERCHANTABILITY AND FITNESS FOR A PARTICULAR PURPOSE, ARE DISCLAIMED IN THEIR ENTIRETY.**

#### **G. How Do You Make A Warranty Claim?**

If you believe you have a claim under this Limited Warranty, please contact a qualified heating or plumbing contractor of your choice. Your contractor will perform a diagnosis and advise you as to whether you may have a claim covered by this Limited Warranty. If your contractor advises you that you may have a claim covered by this Limited Warranty, then the contractor will file the claim on your behalf. You must make all parts that are subject to a warranty claim available to your contractor for return to Weil-McLain. If you have questions about this process or the status of your claim, you may call the Weil-McLain Warranty Call Center at 855-627-6003.

#### **H. How Can You Register Your Purchase?**

Registration is not required to activate your warranty, but you should retain proof of purchase and installation date.

If you have any questions about your coverage under this Limited Warranty, please contact Weil-McLain using the contact information provided above

#### **Warning**

This content is compiled from multiple sources and is provided for reference purposes only. It may not be complete or fully applicable to all situations. If you are unable to resolve your issue, please contact the product manufacturer or an authorized service provider for official support.

---

Document generated by [ManualsFile](#)

