

## **User Manual Soleaire MAX STORM ORANGE Dryer Blower Floor Fan**

### **READ AND UNDERSTAND ALL WARNINGS AND INSTRUCTIONS BEFORE USING THIS AIR MOVER!**

**WARNING!** To reduce the risk of fire, electric shock, or injury:

1. Read the manual carefully and completely before attempting to operate the unit. This manual has important information for the use and safe operation of the machine. Following the recommendations outlined in this manual will assure years of satisfactory service from your unit.
2. Improper connection of the equipment grounding conductor can result in a risk of fire, electrical shock or personal injury. Always use a three-wire electrical system connected to the electrical ground. For maximum protection against electrical shock, use a circuit that is protected by a ground fault circuit interrupter. Check with a qualified electrician or service person if you are in doubt as to whether your outlet is properly grounded. Do not use a unit with a damaged cord or plug.
3. Machines can cause an explosion when near flammable materials and vapors. Do not use or store this machine with or near fuels, grain dust, solvents, thinners, or other flammable materials. Do not use flammables to clean this machine.
4. Do not immerse or use this unit in standing water. Such use may cause electrical shock. To avoid electrical shock, do not expose the unit to rain-store it indoors only. Do not expose the unit to freezing temperatures.
5. Do not move or carry the unit when it is turned on. Do not pull or carry by the cord, use cord as a handle, close a door on the cord or pull cord around sharp edges or corners. Keep cord away from heated surfaces. Do not unplug cord by pulling on it. To unplug, grasp plug, not the cord. Do not handle plug or air mover with wet hands.
6. Do not put any objects into openings. Do not use with any opening blocked; keep free of dust, lint, hair and anything that may reduce air flow. Keep hair, loose clothing, fingers and all parts of the body away from openings and moving parts.
7. Turn off all controls before unplugging.
8. Operate unit on a level and stable surface to prevent it from falling and possible cause of injury or damage.
9. Do not drop or throw the unit. Treatment of this type can cause damage to the components and create hazardous conditions.

## OPERATION:

Plug your air mover into a standard grounded outlet with the correct voltage and amperage. If you are unsure about the outlet, contact your supervisor. Turn on the switch and check that the unit operates properly before letting it run.

MAX STORM SPECIFICATIONS	
VOLTS	115V
POWER	1/2 HP
CYCLE	60 Hz
MAX AIR VOLUME	2550CFM
AMPS LOW/MID/HIGH SPEEDS	3/5AMPS
WEIGHT	25LBS
SIZE L/W/H	19.7"/17.3"/15.8"
SPEED	2 SPEEDS
CORD LENGTH	25'

## MAINTENANCE:

- Inspect the electrical cord and wiring for damage or discoloration
- Inspect for loose fasteners
- Clean screens on the side and front of the unit
- Listen for abnormal sounds
- Keep unit clean

## PERIODIC MAINTENANCE:

Use compressed air or a vacuum to remove lint and other debris from the motor screen and blower wheel. Do not use a pressure washer to clean the unit

## GROUNDING INSTRUCTIONS:

This machine must be grounded. If it should malfunction or break down, grounding provides a path of least resistance for electric current to reduce the risk of electric shock. This machine is equipped with a cord having an equipment-grounding conductor and grounding plug. The plug must be inserted into an appropriate outlet that is properly installed and grounded in accordance with all local codes and ordinances.

**WARNING!** - Improper connection of the equipment-grounding conductor can result in a risk of electric shock. Check with a qualified electrician or service person if you are in doubt as to whether the outlet is properly grounded. Do not modify the plug provided with the machine if it will not fit the outlet; have a proper outlet installed by a qualified electrician. This machine

is designed to operate on a standard 15 amp, 115 Volt, 60 Hz, AC circuit. Voltages below 105 volts AC or above 125 volts AC could cause serious damage to the motor.

NOTE: In Canada, the use of a temporary adapter is not permitted by the Canadian Electrical Code

## **EXTENSION CORDS:**

Use only three-wire 16/3 or larger gauge approved extension cords that have three-prong grounding type plugs and three-pole receptacles that accept the appliance's plug. Replace or repair any damaged cords or plugs.

**WARNING!** For the safe operation of this machine follow the instructions given in this booklet and the training given by your supervisor. Failure to do so can result in personal injury and/or damage to machine and property!

**DO NOT OPERATE MACHINE IN AN EXPLOSIVE ENVIRONMENT!**

## **TROUBLESHOOTING:**

### **Unit will not run.**

#### **1. No power to unit.**

- Plug unit in. Check circuit breaker.

#### **2. Switch not on.**

- Place in "ON" position.

#### **3. Switch is faulty.**

- Replace switch.

#### **4. Faulty/broken cord or motor wire**

- Perform continuity check, using volt/amp meter.
- Repair/replace faulty broken wire.

### **Unit runs but air mover makes loud scraping noise.**

#### **1. Unit has been severely jolted causing blower wheel to rub against housing**

- Remove motor and replace damaged motor mounts.

#### **2. Unit has been severely jolted causing housing to deform.**

- Replace blower wheel.

### **Unit runs but vibrates excessively.**

**1. Severe jolt has bent motor shaft causing unit to be out of balance.**

- Remove and replace motor.

**2. Air mover blade damaged**

- Replace blade if necessary.

**3. Dirt build up on one side of air mover blade**

- Clean air mover blade.

### **Unit runs but blower wheel does not turn.**

**1. Motor bearings are failing or motor has developed an internal electrical fault.**

- Replace motor.

**2. Intake grill, and/or exhaust grill is obstructed.**

- Remove obstruction.

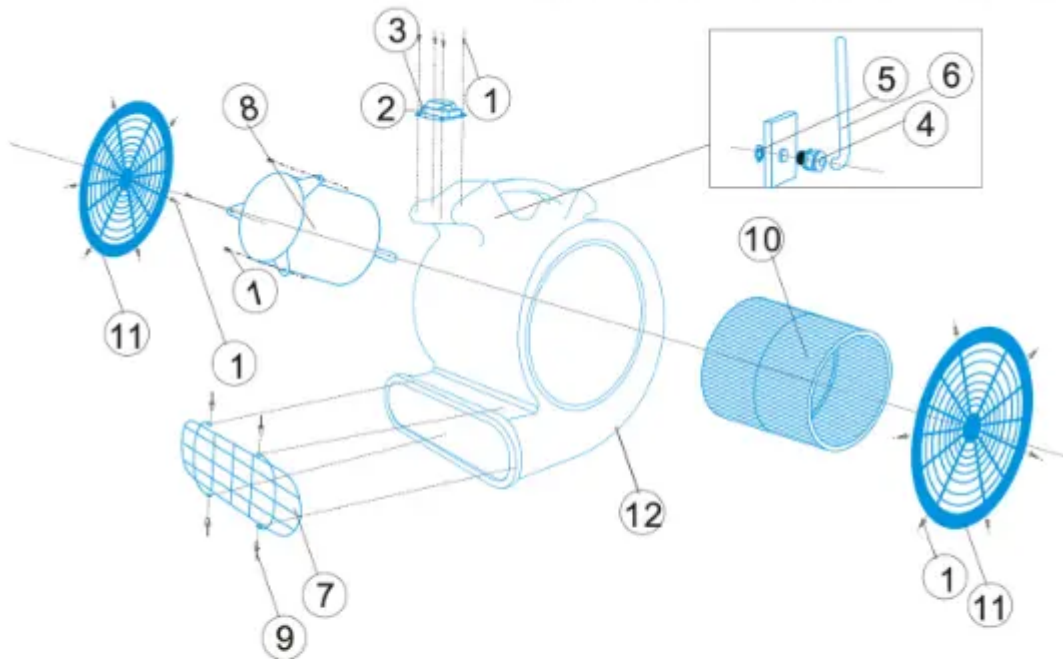
**3. Excessive duct length.**

- Reduce duct length to recommended maximum



# MAX STORM AIR MOVER ASSEMBLY

## MAX STORM AIR MOVER ASSEMBLY



ITEM NUMBER	PART NUMBER	DESCRIPTION	QTY	ITEM NUMBER	PART NUMBER	DESCRIPTION	QTY
1	MAXS-01	SCREWS	19	7	MAXS-07	EXHAUST GRILL	1
2	MAXS-02	SWITCH ASSEMBLY	1	8	MAXS-08	MOTOR	1
3	MAXS-03	SWITCH PLATE	1	9	MAXS-09	RIVET	4
4	MAXS-04	STRAIN RELIEF CAP	1	10	MAXS-10	WHEEL FAN	1
5	MAXS-05	POWER CORD	1	11	MAXS-11	INTAKE GRILL	2
6	MAXS-06	NUT	1	12	MAXS-12	HOUSING	1

## WARRANTY POLICY:

### 1 - Year Coverage

Subject to the conditions stated below, Soleaire offers a limited warranty on parts and labor on the following equipment, parts and accessories to be free from defects in material and workmanship for a period of one year to the original purchaser

### 10 - Year Coverage

Subject to the conditions stated below, Soleaire warrants parts and labor on rotationally molded polyethylene tanks/housings and injection molded vacuum head assemblies to be free from defects in materials and workmanship for a period of ten years to the original purchaser

**Wear Items exempt from warranty consideration include but may not be limited to: power cords, transport wheels, castors, handle grips, filters, screens, brushes and carbon brushes.** Subject to the conditions and exceptions stated in this warranty, Soleaire warrants the Soleaire products to be free from defects in material and workmanship, under

normal use and service, for the periods listed under the warranty policy to the original purchaser. At any time during the warranty period, Soleaire will furnish replacement parts for the Soleaire products to the original purchaser. Such parts will be furnished and charged including transportation costs, to the original owner. If the original part is returned within the warranty policy period from date of delivery for inspection by Soleaire and is found to be defective, the owner will be credited for the cost of replacement parts plus shipping and handling. Replacement parts that have become defective through wear or abuse are not included in this warranty. This warranty does not apply to damage or defect caused by accident, misuse, negligence, fire or to any Soleaire product which has been serviced or repaired by other than an authorized Soleaire Service Distributor or Soleaire factory personnel. This warranty is void if products are used for any purpose other than that which was intended. There are no other warranties expressed or implied. In no event shall Soleaire be liable for incidental or consequential damages or any damage to person or property. (Please note some states do not allow the exclusion or limitations for incidental and consequential damages)

**Warning**

This content is compiled from multiple sources and is provided for reference purposes only. It may not be complete or fully applicable to all situations. If you are unable to resolve your issue, please contact the product manufacturer or an authorized service provider for official support.