

WARNING

ALWAYS confirm the power cord, voltage and power come up to the standard of the product requirement before using.

ALWAYS keep out of the reach of children.

DO NOT place or insert finger into opening slot as serious injury could occur. **AVOID** getting jewelry, hair or loose clothing too close to opening slot as serious injury could occur.

DO NOT attempt to shred materials other than paper, credit cards and CDs

DO NOT attempt to feed more sheets of paper than specified.

ALWAYS turn shredder off and unplugged when not using it for a long time. **ALWAYS** keep shredder away water or heat source.

ALWAYS turn shredder off and unplugged before cleaning the cover.

DO NOT use flammable synthetic oil, petroleum-based or aerosol products of any kind on shredder.

DO NOT attempt to repair shredder yourself

The plug must connected to a socket-outlet with ground connection

This equipment is not intended for use by children. Avoid touching the media feed opening with the hands, clothing or hair

This equipment is not suitable for use in locations where children are likely to be present,



WARNING



NO CHILDREN



NO FINGERS



CAUTION
SHARP EDGES



NO AEROSOL
PRODUCTS



NO HAIR



NO LOOSE
CLOTHING



READ USER
MANUAL



18 SHEETS



1 CARD



1 COMPACT DISC



Moving parts

OPERATION INSTRUCTION

The rated shredder capacity of this machine is A4 75g paper. Please refer to the instruction insert for the specific sheet capacity.

CD safe: Yes

Credit card safe: Yes

Paper clip/staple/pin safe: Yes

Auto forward: Turn on the machine for ready, the paper will be shredded automatically on the entry.

Auto reverse: The paper will reverse automatically when the machine is overloaded. Please reduce the sheets to make it work normally.

Manual forward: When the papers are jammed a little at the entry, press the manual forward button to shred by force.

Manual reverse: When the papers are fed too much, press the manual reverse button to pull the paper out.

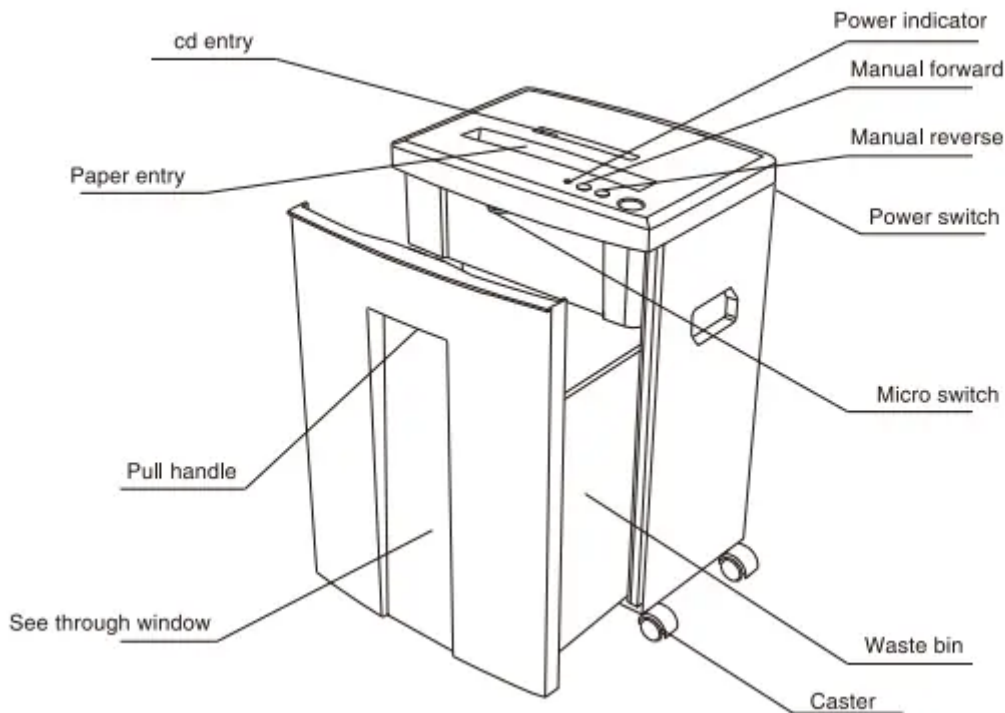
Thermal protection: The machine will stop automatically when it's overheated. And it will return to work after cooling for 30-60 minutes.

RECYCLING

Please dispose of the waste electric products and packing materials correctly which helps the environment protection, reduces health of human and improves resource reuse.

TROUBLESHOOTING

Error	Analysis	Troubleshooting
	Power is disconnected or not plugged in well.	Check power cord and plug it in well.
	Waste bin position not properly.	Adjust waste bin position properly.
Machine is not functioning	Motor overheating.	Wait for machine to cool down.
	Overload has not been released or paper jammed.	Press manual reverse to release excess paper and reduce shredding sheets.
	Paper inserted is too transparent.	Attach another piece of paper or fold the transparent paper several times.
Cutter will not stop rotating	Paper pieces or unusual objects in the middle of paper entrance.	Clear paper entrance.
Loud Noise	Surface is uneven or machine is not place property	Adjust machine position.



SD9113 Specification	
Power	120V, 60Hz
Sheet Capacity	18 Sheets (75g)
Cut Type	Cross Cut
Cut Size	5/32 " x 1-3/8 " (4mm x 35mm)
Security Level	P-4
Shred Speed	6.6 ft/min (2m/min)
Max. Continuous Working Time	60 min
Noise Level	≤58dB
Waste Bin Capacity	6 Gallon (21 Liter)
Feed Entrance Width	8.7 " (220mm)
Product Dimension	13.4 " x 10.4 " x 22.0 "
Product Weight	26lbs

Warning

This content is compiled from multiple sources and is provided for reference purposes only. It may not be complete or fully applicable to all situations. If you are unable to resolve your issue, please contact the product manufacturer or an authorized service provider for official support.

