

Safety

Intended use

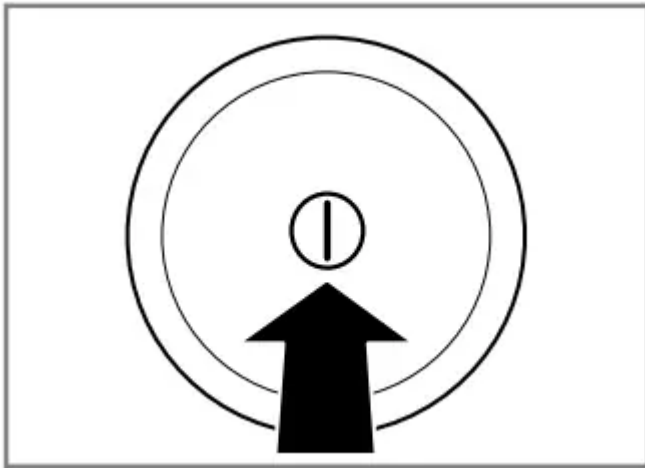
- Only use this appliance:
- For washing machine-washable fabrics and hand-washable wool in accordance with the care label.
- With tap water and commercially available detergents and care products suitable for washing machines.
- In private households and in enclosed spaces in a domestic environment.
- Up to an altitude of max. 4000 m above sea level.
- Restriction on user group
- This appliance may be used by children aged 8 or over and by people who have reduced physical, sensory or mental abilities or inadequate experience and/or knowledge, provided that they are supervised or have been instructed on how to use the appliance safely and have understood the resulting dangers.
- Children must not play with the appliance.
- Cleaning and user maintenance must not be performed by children unless they are being supervised.
- Keep children under the age of 3 years and pets away from the appliance.

Installation and connection

1. Remove any packaging and protective covers completely from the appliance. For the environmentally friendly disposal of the packaging materials, observe the information on the topic of → "Disposing of packaging", Page 11.
2. Check the appliance for visible damage.
3. Open the door. → "Basic operation", Page 37
4. Remove the accessory from the drum.
5. Close the door.

Contents of package

After unpacking all parts, check for any damage in transit and completeness of the delivery.



- Removing the transit bolts The appliance is secured for transportation using transit bolts on the rear of the appliance.

Notes

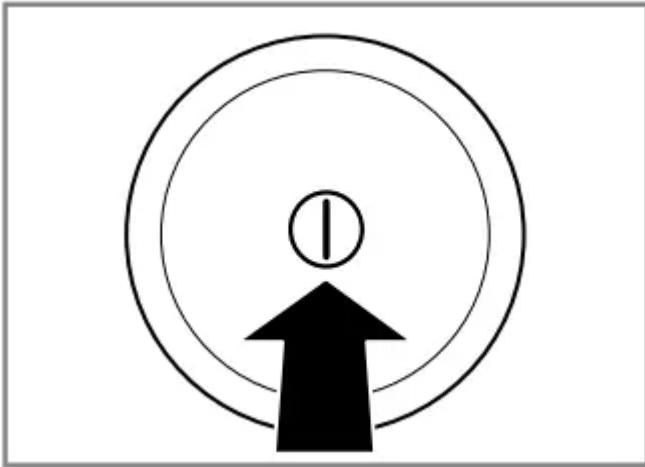
- Please read the information in the Safety → Page 4 and Preventing material damage → Page 10 sections to ensure that you use the appliance safely.
- Keep the transit bolts, screws and sleeves in a safe place for future transport → Page 59.
 1. Pull the hoses out of the holders.
 2. Unscrew and remove all four screws for the transit bolts with a WAF 13 wrench.
 3. Pull the power cord out of the holder.
 4. Remove the four sleeves.
 5. Put on the four cover caps.
 6. Press down on the four cover caps.

Connecting the appliance

- Connect your appliance to the power supply, water inlet and water outlet. Connecting the water inlet hose

Note

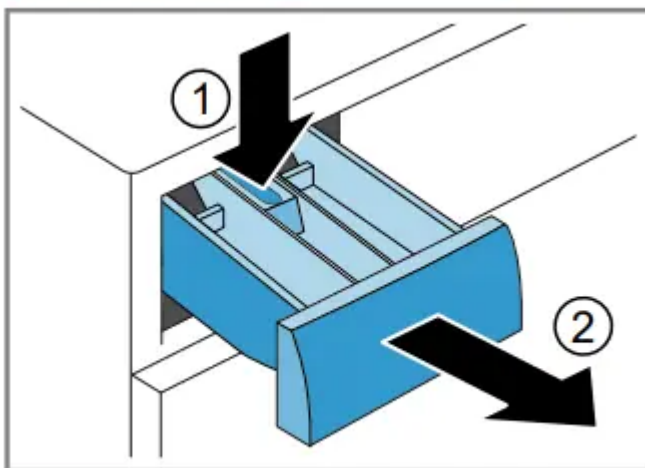
- Please read the information in the Safety → Page 4 and Preventing material damage → Page 10 sections to ensure that you use the appliance safely.
- Connect the water inlet hose.



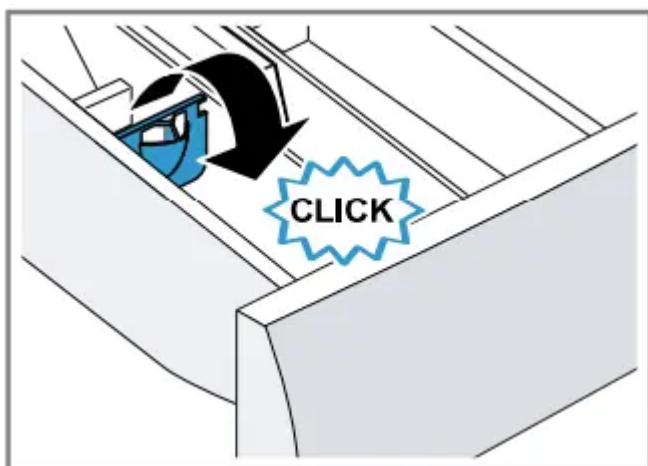
- Aligning the appliance In order to reduce noise and vibration and to prevent the appliance from moving, align the appliance correctly.

Note:

- Please read the information in the Safety → Page 4 and Preventing material damage → Page 10 sections to ensure that you use the appliance safely.
- Loosen the lock nuts using a WAF 17 wrench by turning it in a clockwise direction.



Familiarising yourself with your appliance



Childproof lock

- Lights up: The childproof lock is activated.
- Flashes: The childproof lock is active and the programme selector has been adjusted. → "Deacti"

Intensive Plus

Activate

- Deactivate Activate or deactivate an extended washing programme. The programme duration is extended by up to 30 minutes. Suitable for heavily soiled laundry
- Finished in + 1–24 hours Set the programme end. The programme duration is already included in the set number of hours. Once the programme has started,
- Spin Speed - 1400 Adjust the spin speed or activate (Rinse Hold). If is selected, the water is not drained at the end of the washing cycle and the spin cycle is deactivated. The laundry remains in the water used for rinsing.

Child Lock 3 sec.

- Deactivate Activate or deactivate the childproof lock. Disable the control panel to prevent unwanted or accidental operation.
- If the childproof lock is activated and the appliance has been switched off, the childproof lock remains activated. → "Childproof lock", Page 41

Rinse Plus

- Activate ; Deactivate Activate or deactivate an additional rinse cycle. Recommended for particularly sensitive skin or in regions with very soft water

Easy Iron

- Activate

- Deactivate Activate or deactivate the reduced creasing programme. In order to reduce creasing in the laundry, the spin cycle and the spin speed are adapted.
- The laundry is damp enough after washing that it needs to be hung out on a washing line.

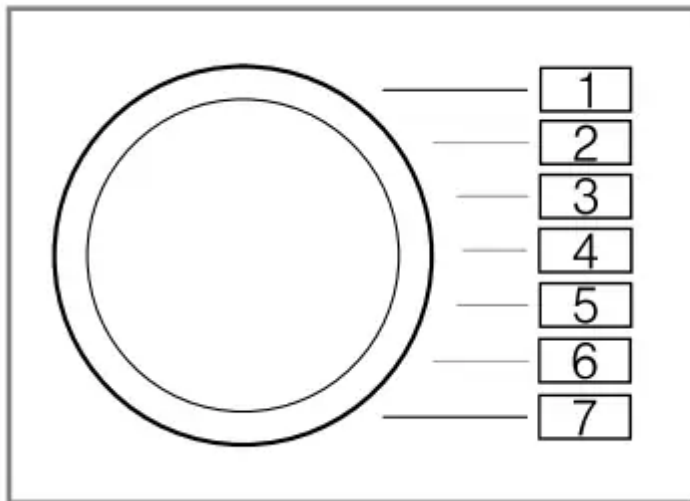
Before using for the first time

Starting an empty washing cycle

- Your appliance was inspected thoroughly before leaving the factory. To remove any residual water, run the first wash cycle without any laundry.

Note:

- Please read the information in the Safety → Page 4 and Preventing material damage → Page 10 sections to ensure that you use the appliance safely.



Press .

1. It may take a few seconds for the appliance to switch on.
2. Set the Drum Clean programme.
3. Close the door
4. Pull out the detergent drawer
5. Pour washing powder into compartment II. To prevent foaming, use only half of the amount of detergent recommended by the detergent manufacturer for light soiling. Do not use detergent suitable for woollens or delicates.
6. Push in the detergent drawer.
7. Press Start/Reload to start the programme.
 - The display shows the remaining programme duration.

- After the programme has ended, the display shows: -0-. 8. Start the first wash cycle or press to switch off the appliance. → "Basic operation", Page 37

Detergents and care products

- You can protect your appliance and your laundry by selecting and using the correct detergents and care products. You can use all detergents and care products which are suitable for domestic washing machines.

Note:

- Please read the information in the Safety → Page 4 and Preventing material damage → Page 10 sections to ensure that you use the appliance safely. The manufacturer's instructions for use and dosage can be found on the packaging

Notes

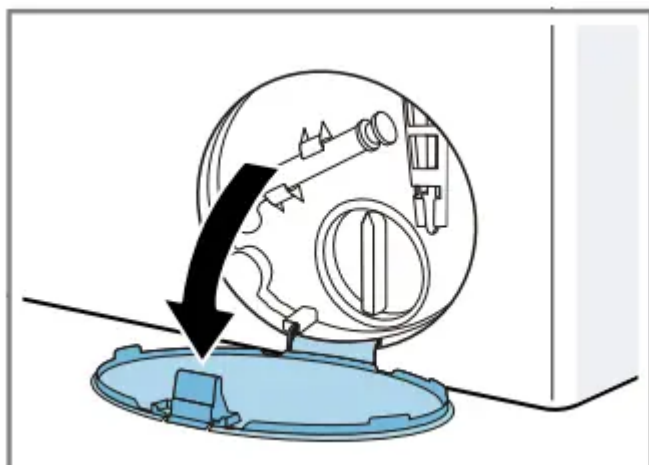
- Only use liquid detergents that are self-flowing
- Do not mix different liquid detergents
- Do not mix detergent and fabric softener
- Do not use products that have expired or are highly congealed.
- Do not use products containing solvents, caustic agents or volatile substances (e.g. bleach) ; Use dyes sparingly as salt may damage stainless steel
- Do not use bleaching agents in the appliance

Detergent dosage

Use the correct detergent dosage to achieve optimal washing results and save resources. The detergent dosage depends on:

- The amount of laundry
- Degree of soiling
- Water hardness
- You can find out how hard your water is from your local water company or measure it yourself using a water hardness tester.

Basic operation



- It may take a few seconds for the appliance to switch on. Note: The drum is lit up after the door is opened and closed and once the programme has started. The light goes out automatically.

Sorting laundry

- Please read the information in the Safety → Page 4 and Preventing material damage → Page 10 sections to ensure that you use the appliance safely.
- To improve washing results and prevent discolouration, sort the laundry according to the following criteria before washing.

Type of fabric and fibre type

- Whites
- Colours
- Wash new coloured items separately the first time you wash them.
- Soiling → Page 34
- Care symbols on the care labels
- Page 34

Adjusting the programme settings

- Depending on the programme and programme progress, you can adjust or activate/deactivate the settings.
- Note: Overview of all programme settings:
- Buttons", Page 22
- Requirement: A programme has been set.
- Adjust the programme settings.
- The programme settings are not saved permanently for the programme.

Loading laundry

- Please read the information in the
- Safety → Page 4 and Preventing material damage → Page 10 sections to ensure that you use the appliance safely.
- To prevent creasing, take note of the maximum load for the relevant programme → Page 24.

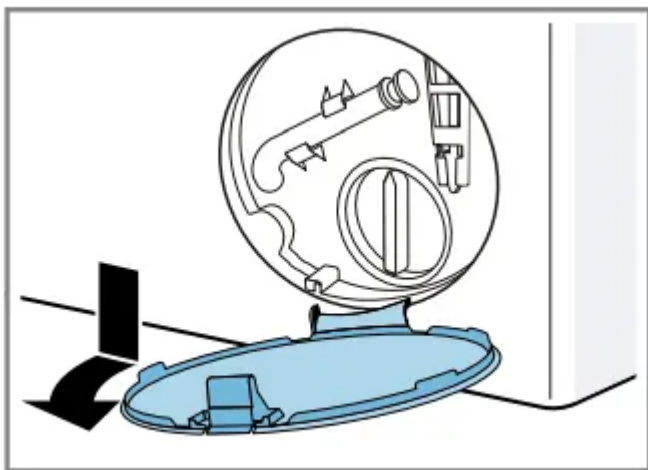
Requirement:

- Prepare and sort the laundry

Using a measuring aid for liquid detergent

If you order the measuring aid as an accessory, you must use the measuring aid.

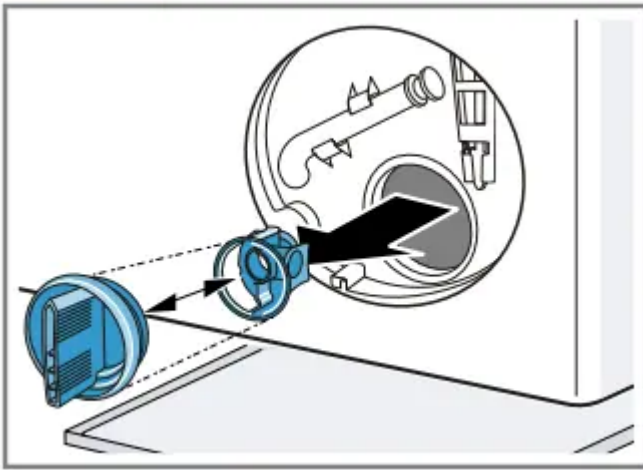
1. Pull out the detergent drawer.
2. Press down on the insert and remove the detergent drawer.



Use the measuring aid for liquid detergent

To add liquid detergent, you can use a measuring aid in the detergent drawer.

1. Pull out the detergent drawer.
2. Slide the measuring aid forwards.
3. Fold the measuring aid down and click it into place
4. Push in the detergent drawer.



- Adding detergent and care product

Notes

- Please read the information in the Safety → Page 4 and Preventing material damage → Page 10 sections to ensure that you use the appliance safely.
- Do not use the measuring aid for liquid detergent for gel detergents, washing powder, or if Prewash or
- Ready in" time are activated.
- Requirement: Find out the optimum dosage for detergent and care product. → Page 35
- Pull out the detergent drawer.
- Pour in detergent.

Detergent drawer", Page 19

- If required, add the care product.
- Push in the detergent drawer.
- Starting the programme

Note:

- If you want to change the time until the programme ends, set the
- Ready in" time first.

Press Start/Reload .

- The drum rotates and load detection takes place. This can take up to 2 minutes, after which water enters the drum.
- The display shows either the programme duration or the "Ready in" time. a After the programme has ended, the display shows: -0-.

Soaking laundry

- You can soak the laundry before washing in the appliance by pausing the programme.

- Note: No additional detergent is required. The washing solution is then used for washing.
- Start the programme.
- To pause the programme, after approx. 10 minutes, press Start/Reload .
- To resume the programme, after the desired soaking time, press

Start/Reload .

- Please read the information in the Safety → Page 4 and Preventing material damage → Page 10 sections to ensure that you use the appliance safely.

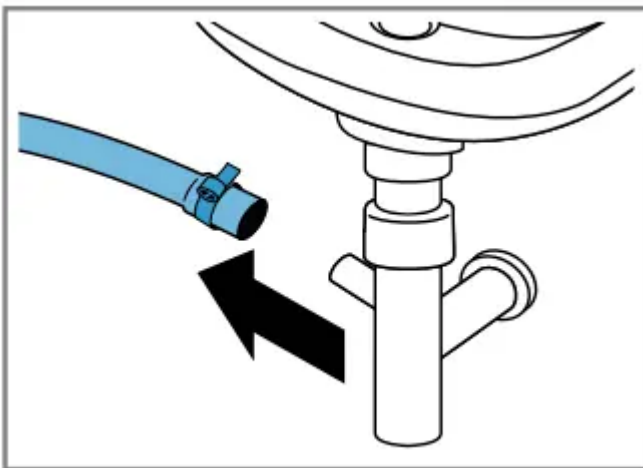
Press Start/Reload .

- The appliance is paused and checks whether it is possible to add or remove laundry. Take note of the programme status.
- Add or remove laundry.
- Close the door.
- Press Start/Reload .

Basic setting

Overview of basic settings

- Below is an overview of the basic settings on your appliance.



- Changing the basic settings
- Set the programme selector to position 1.
- Press Spin Speed and, at the same time, turn the programme selector to position 2. a The display shows the current value.
- Set the programme selector to the required position.

To change the value, press - / +.

- To save the changes, switch off the appliance.

Cleaning the drum

- If you often wash at a washing temperature of 40 °C and lower or the appliance has not been used for a long period, clean the drum.

CAUTION

1. Risk of injury!
2. Permanently washing at low temperatures and a lack of ventilation for the appliance may damage the drum and cause injury.
3. Regularly run a programme for cleaning the drum or wash at temperatures of at least 60 °C.
4. Leave the appliance to dry after every operation with the door open, and leave the detergent drawer to dry.
5. Run the Drum Clean programme without laundry.
6. Add washing powder.
7. Cleaning the detergent drawer
8. Note: Please read the information in the Safety → Page 4 and Preventing material damage → Page 10 sections to ensure that you use the appliance safely. en Cleaning and servicing
9. Pull out the detergent drawer.
10. Press down on the insert and remove the detergent drawer.
11. Press out the insert upwards from below.
12. Clean the detergent drawer and insert with water and a brush, and then dry them.

Descaling

- If you add detergent correctly, you do not need to descale your appliance.
- If you still wish to use descaler, follow the manufacturer's instructions for use.

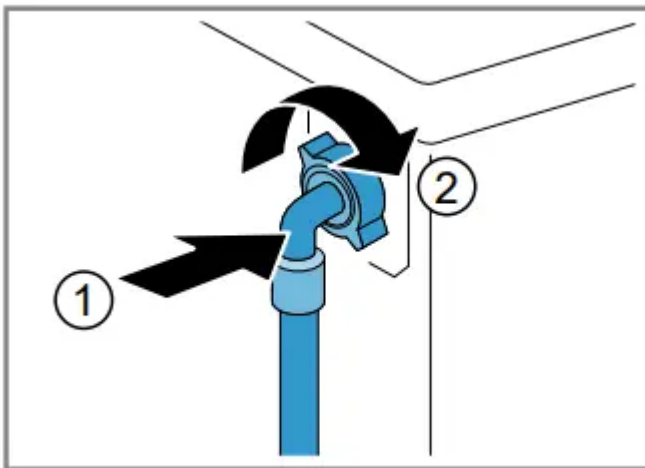
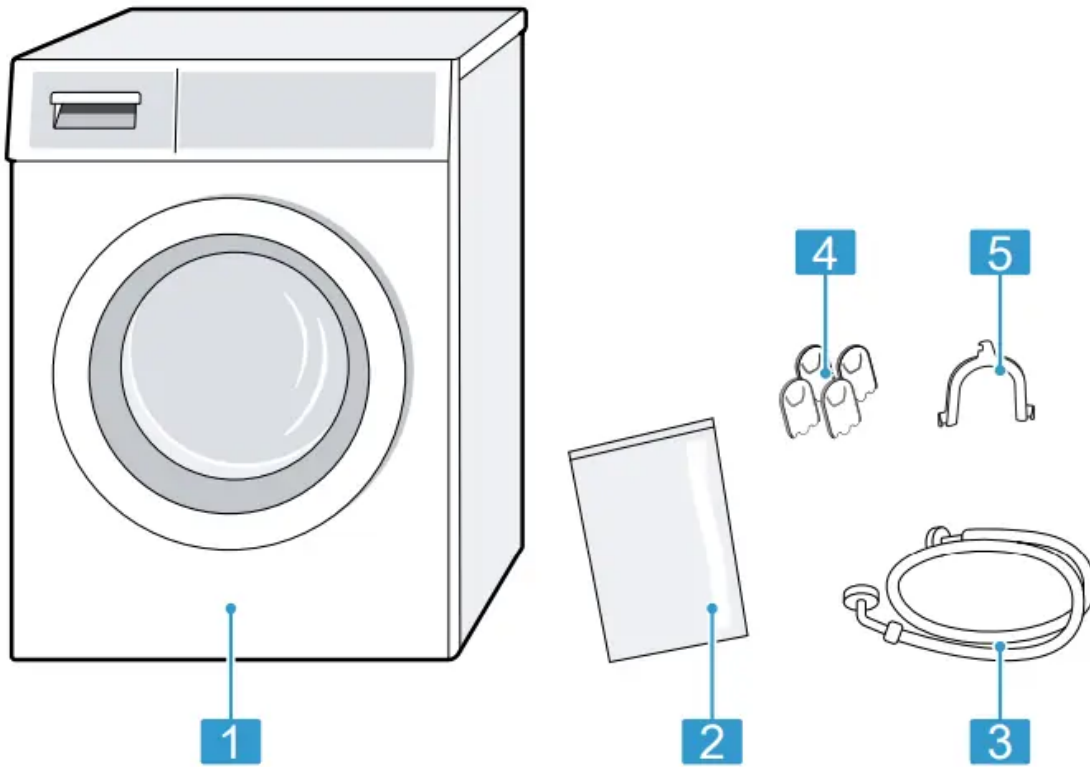
ATTENTION!

- The use of unsuitable descaling agents, e.g. for coffee machines, may damage the appliance.
- For this appliance, only use descaling agents that are available from the manufacturer's website or our after-sales service.
- Cleaning the drain pump Clean the drain pump in the event of faults, e.g. blockages or rattling noises. Emptying the drain pump

Note:

Please read the information in the Safety → Page 4 and Preventing material damage → Page 10 sections to ensure that you use the appliance safely.

1. Turn off the water tap.
2. Switch off the appliance.
3. Disconnect the appliance's mains plug from the power supply.
4. Open the maintenance flap

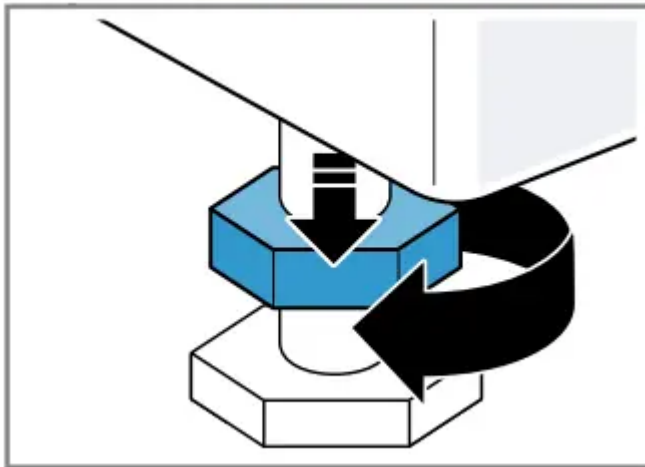


Cleaning the drain pump

- Please read the information in the Safety → Page 4 and Preventing material damage → Page 10 sections to ensure that you use the appliance safely. Requirement: The drain pump is empty. → Page 4

1. Since water may remain in the drain pump, remove the pump cap carefully.

2. Clean the interior, the thread on the pump cap and the pump housing. The pump cap is comprised of two parts which can be taken apart for cleaning.

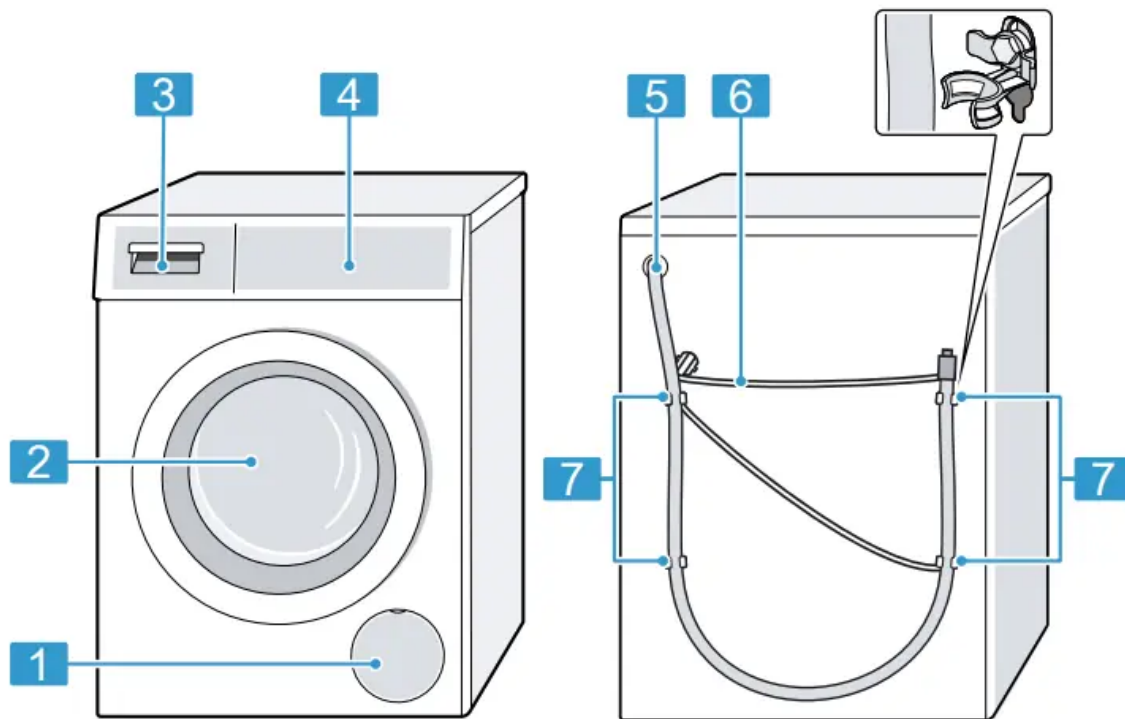


Cleaning the water outlet hose at the siphon

- If the water outlet hose at the siphon is dirty or the detergent solution is not being pumped out, you must clean these.
- Switch off the appliance.
- Disconnect the appliance's mains plug from the power supply.
- Loosen the hose clamp and carefully remove the water outlet hose.
- Residual water may leak out.

Clean the water outlet hose and siphon connecting piece.





- Emptying the water inlet hose
- In order to be able to clean the filters, you must first empty the water inlet hose.

Turn off the tap.

- Set a programme, except for
- Rinse , Spin or Drain.
- Start the programme and leave it to run for approx. 40 seconds.
- Switch off the appliance.
- Disconnect the appliance's mains plug from the power supply.

Cleaning the filter on the tap

Note:

- Please read the information in the Safety → Page 4 and Preventing material damage → Page 10 sections to ensure that you use the appliance safely.

Requirement:

- The water inlet hose is empty.

Troubleshooting

The display goes out and Start/Reload flashes.

- Energy-saving mode is active

- Press any button. a The symbol lights up again.
- E:30 / -80" Drain pipe or water outlet hose is blocked.
- Clean the drain pipe and the water outlet hose.
- Drain pipe or water drain hose is caught or jammed.
- Ensure that the drain pipe and water drain hose are not kinked or trapped.

Drain pump is blocked.

- Cleaning the drain pump", Page 45
- The water outlet hose is connected too high.
- Install the water outlet hose at a maximum height of metre.
- Pump cover is not correctly assembled.
- Correctly assemble the pump cover.

Detergent dosage is too high.

- Immediate measure: Mix one tablespoon of fabric softener with 0.5 litres of water and pour the mixture into the left-hand compartment (not for outdoor clothing, sportswear or items stuffed with down).
- Reduce the amount of detergent for the next washing cycle with the same load.
- Unapproved extension installed on the water drain hose.
- Remove any unapproved extensions from the water hose. Connecting the appliance

Lights up.

The temperature is too high.

Wait until the temperature has dropped.

→ "Cancelling the programme", Page 40 Water level is too high.

Start the Drain programme. Laundry is caught in the door.

1. Open the door again.
2. Remove any trapped laundry
3. Close the door.
4. Press Start/Reload to start the programme.

Door is not closed.

1. Close the door.
2. Press Start/Reload to start the programme

The appliance is not working.

1. The mains plug of the power cord is not plugged in.

2. Connect the appliance to the power supply. The circuit breaker is faulty.
3. Check the circuit breaker in the fuse box. There has been a power cut.
4. Check whether the lighting in your kitchen or other appliances are working.

The programme does not start.

You have not pressed Start/Reload .

Press Start/Reload . Door is not closed.

1. Close the door.
2. Press Start/Reload to start the programme. Childproof lock is activated.

"Deactivating the childproof lock", Page 41 - Finished in + is activated.

Check whether - Finished in + is activated. → "Buttons", Page 22

Laundry is caught in the door.

1. Open the door again.
2. Remove any trapped laundry.
3. Close the door.
4. Press Start/Reload to start the programme

The door cannot be opened.

1. Continue the programme by selecting Spin or Drain and pressing Start/Reload . → "Resuming the programme when the programme status is Rinse Hold", Page 40 The temperature is too high.
2. Wait until the temperature has dropped.
3. → "Cncelling the programme", Page 40 Water level is too high.
4. Start the Drain programme. Power failure.
5. Open the door using the emergency release. → "Emergency release", Page 59

The water is not draining

1. Drain pipe or water outlet hose is blocked.
2. Clean the drain pipe and the water outlet hose. Drain pipe or water drain hose is caught or jammed.
3. Ensure that the drain pipe and water drain hose are not kinked or trapped. Drain pump is blocked.
4. → "Cleaning the drain pump", Page 45 is activated.
5. Continue the programme by selecting Spin or Drain and pressing Start/Reload . → "Resuming the programme when the programme status is Rinse Hold", Page 40 The water outlet hose is connected too high.

6. Install the water outlet hose at a maximum height of 1 metre. Pump cover is not correctly assembled.
7. Correctly assemble the pump cover. Detergent dosage is too high.
8. Immediate measure: Mix one tablespoon of fabric softener with 0.5 litres of water and pour the mixture into the left-hand compartment (not for outdoor clothing, sportswear or items stuffed with down).
9. Reduce the amount of detergent for the next washing cycle with the same load.
Unapproved extension installed on the water drain hose.
10. Remove any unapproved extensions from the water hose. Connecting the appliance

Water is not flowing in. Detergent is not being dispensed.

You have not pressed Start/Reload .

1. Press Start/Reload . The filters in the water inflow are blocked.
2. Clean the filters in the water inflow → Page 48. The tap is turned off.
3. Turn on the tap. The water inlet hose is kinked or jammed.
4. Ensure that the water inlet hose is not kinked or jammed.

The programme duration changes during the wash cycle.

The programme operation is optimised electronically.

- This may change the programme duration.
- Not a fault – no action required. The unbalanced load detection system eliminates an imbalance by repeatedly redistributing the laundry.
- Not a fault – no action required. Note: When loading, where possible, place large and small items of laundry together in the drum. Different sized items of laundry distribute themselves better during the spin cycle. Foam detection system switches on a rinse cycle if foam build-up is too high.
- Not a fault – no action required.

No water is visible in the drum.

Water is below the visible area.

1. Not a fault – no action required.
2. Do not add any extra water to the appliance while it is operating.

Vibrations and movement of the appliance whilst spinning.

Appliance is not correctly aligned.

1. Aligning the appliance The appliance feet are not fixed.
2. Secure the appliance feet. Aligning the appliance Transit bolts have not been removed.
3. Removing the transit bolts

Heavy foam build-up

Detergent dosage is too high.

- Immediate measure: Mix one tablespoon of fabric softener with 0.5 litres of water and pour the mixture into the left-hand compartment (not for outdoor clothing, sportswear or items stuffed with down).
- Reduce the amount of detergent for the next washing cycle with the same load.

High spin speed not reached.

A low spin speed is selected.

1. The next time you run a wash cycle, set a higher spin speed. Easy Iron is activated.
2. Select the programmes that are suitable for the type of fabric. → "Programmes", Page 24 Unbalance load detection system is using a reduced spin speed to eliminate an unbalance.
3. Redistribute the laundry in the drum. Note: Where possible, mix large and small items in the drum. Different sized items of laundry distribute themselves better during the spin cycle.
4. Start the Spin programme.

The spin programme does not start.

1. Drain pipe or water outlet hose is blocked.
2. Clean the drain pipe and the water outlet hose. Drain pipe or water drain hose is caught or jammed.
3. Ensure that the drain pipe and water drain hose are not kinked or trapped. The unbalanced load detection system has interrupted the spin cycle because the laundry is unevenly distributed.
4. Redistribute the laundry in the drum. Note: Where possible, mix large and small items in the drum. Different sized items of laundry distribute themselves better during the spin cycle.
5. Start the Spin programme.

Creasing.

1. The spin speed is too high.
2. The next time you run a wash cycle, set a lower spin speed. The load is too large.
3. The next time you run a wash cycle, reduce the amount of laundry being loaded. The wrong programme is selected for the type of fabric.
4. The spin result is not satisfactory. The laundry is too wet/too damp.

A low spin speed is selected.

- The next time you run a wash cycle, set a higher spin speed.
- Start the Spin programme. Easy Iron is activated.
- Select the programmes that are suitable for the type of fabric. → "Programmes", Page 24
- Drain pipe or water outlet hose is blocked.
- Clean the drain pipe and the water outlet hose. Drain pipe or water drain hose is caught or jammed.
- Ensure that the drain pipe and water drain hose are not kinked or trapped.

The spin result is not satisfactory.

The laundry is too wet/too damp.

- Cause and troubleshooting The spin result is not satisfactory. The laundry is too wet/too damp. The unbalanced load detection system has interrupted the spin cycle because the laundry is unevenly distributed.
- Redistribute the laundry in the drum. Note: Where possible, mix large and small items in the drum. Different sized items of laundry distribute themselves better during the spin cycle.
- Start the Spin programme. Unbalance load detection system is using a reduced spin speed to eliminate an unbalance.
- Redistribute the laundry in the drum.

Note:

- Where possible, mix large and small items in the drum. Different sized items of laundry distribute themselves better during the spin cycle.

Detergent residue on the damp washing.

- Detergents may contain water-insoluble substances that deposit on the laundry.
- Start the Rinse programme.

Detergent residue on the dry laundry.

- Detergents may contain water-insoluble substances that deposit on the laundry.
- Brush out the laundry after washing and drying.

Water is leaking out at the water inlet hose.

- The water inlet hose. Water inlet hose is not correctly/securely connected.
 - 1. Connect the water supply hose correctly. Connecting the water inlet hos
 - 2. Tighten the screw connection.

Odours have formed in the appliance.

- Humidity and detergent residue may promote the formation of bacteria.
- "Cleaning the drum", Page 43 If you are not using the appliance, leave the door and detergent drawer open so that residual water can evaporate.

Warning

This content is compiled from multiple sources and is provided for reference purposes only. It may not be complete or fully applicable to all situations. If you are unable to resolve your issue, please contact the product manufacturer or an authorized service provider for official support.