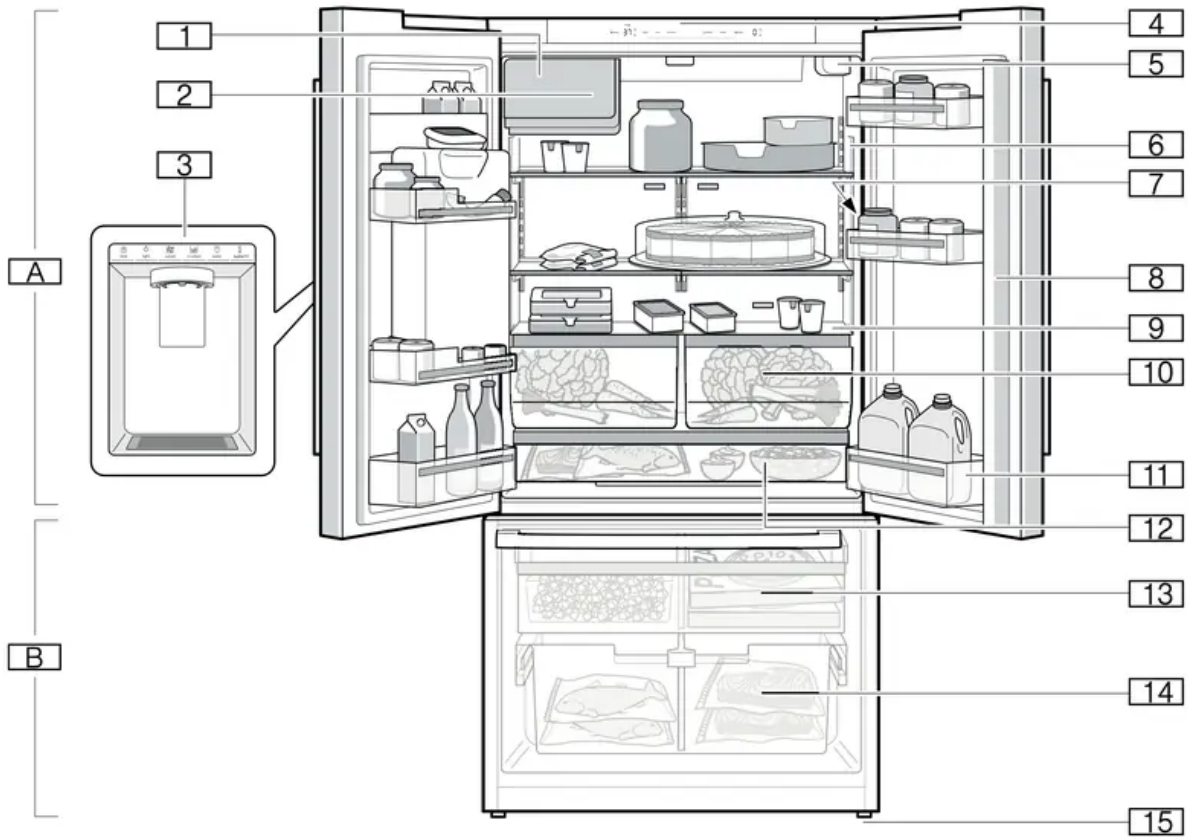


Getting to know your appliance

Appliance



A. Refrigerator compartment

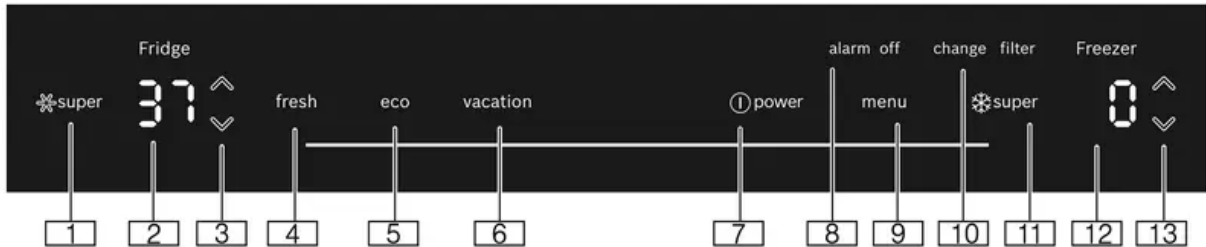
B. Freezer compartment


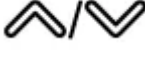


1. Ice maker
2. Ice cube bin
3. Dispenser
4. Operating controls
5. Water filter
6. Interior light
7. Rating plate
8. Door pillar with condensation protection
9. Partition with humidity controller
10. Vegetable bin
11. Storage compartment for large bottles



12. Cold storage bin
13. Frozen food bin (top)
14. Frozen food bin (large)
15. Height-adjustable feet

Operating controls

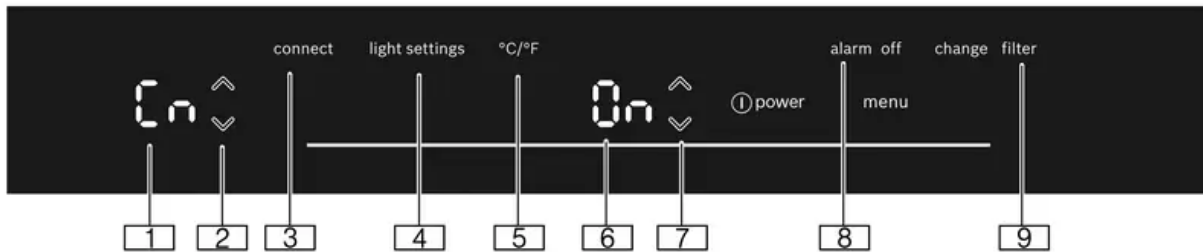


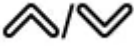
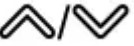
1. Refrigerator compartment  **super** button
Switches super cooling on or off.
2. Refrigerator compartment temperature display
Indicates the set temperature in °C/°F.
3. Refrigerator compartment  button
Sets the temperature of the refrigerator compartment.
4. **fresh** button
Switches freshness mode on or off.
5. **eco** button
Switches energy-saving mode on or off.
6. **vacation** button
Switches vacation mode on or off.
7.  **power** button
Switches the appliance on or off.
8. **alarm off** button
Switches off the alarm.
9. **menu** button
Opens the menu.
10. **change filter** button
Switches the change filter alarm off.
11. Freezer compartment  **super** button
Switches super freezing on or off.

12. Freezer compartment temperature display Indicates the set temperature in °C/°F.

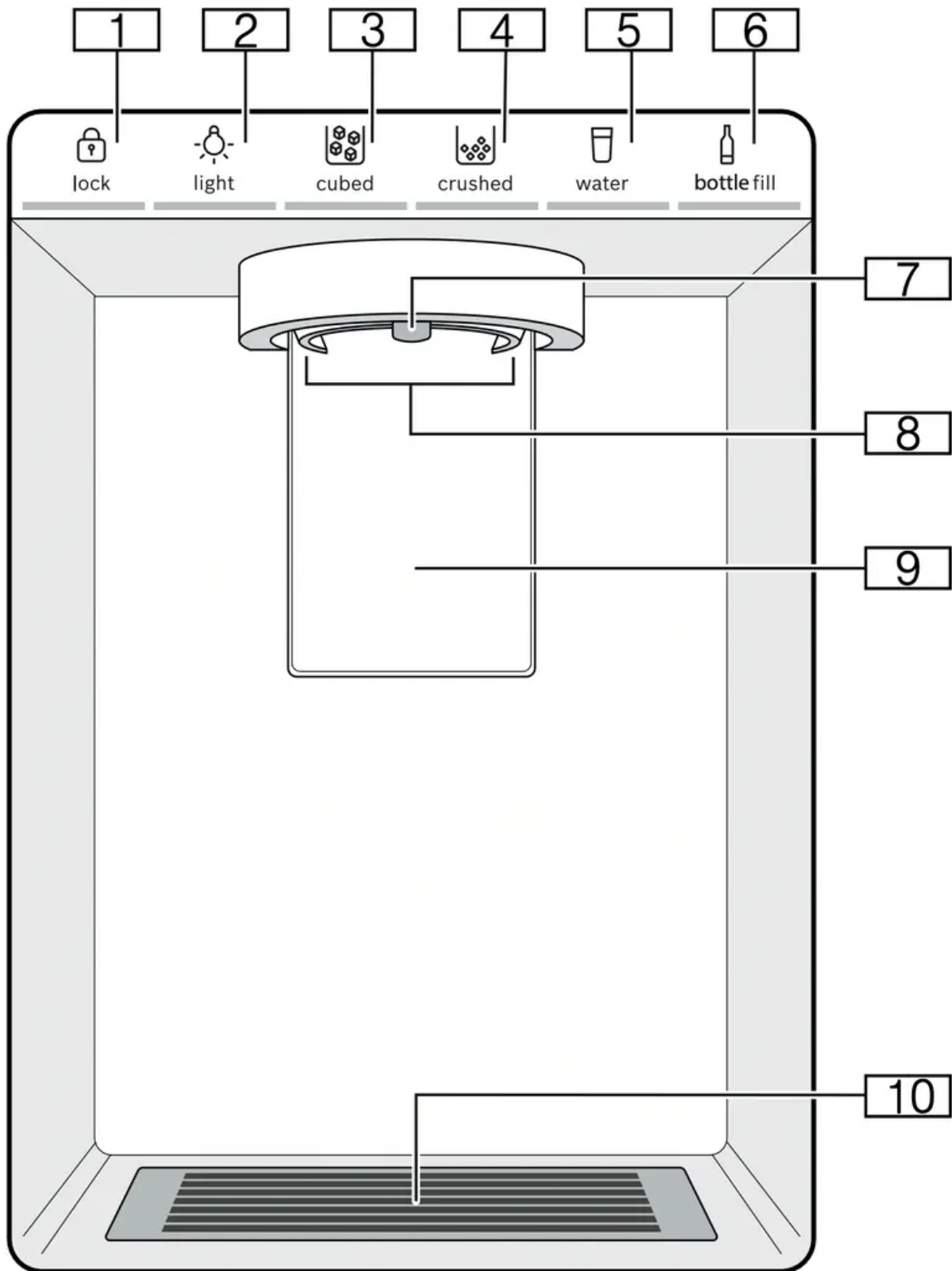
13. Freezer compartment  button Sets the temperature of the freezer compartment.

Controls submenu



1. Submenu display
Displays the selected submenu.
2.  submenu button
Used to navigate through the submenu.
3. **connect** button
Opens the Home Connect menu.
4. **light settings** button
Opens the lighting menu.
5. **°C/°F** button
Opens the temperature unit menu.
6. Settings display
Displays the settings of the submenu.
7.  Settings button
Changes the settings of the submenu.
8. **alarm off** button
Opens the alarm menu.
9. **change filter** button
Opens the filter menu.

Ice and water dispenser



1. **lock** button

Locks or unlocks the ice and water dispenser.

2. **light** button

Switches the continuous light of the ice and water dispenser on or off.

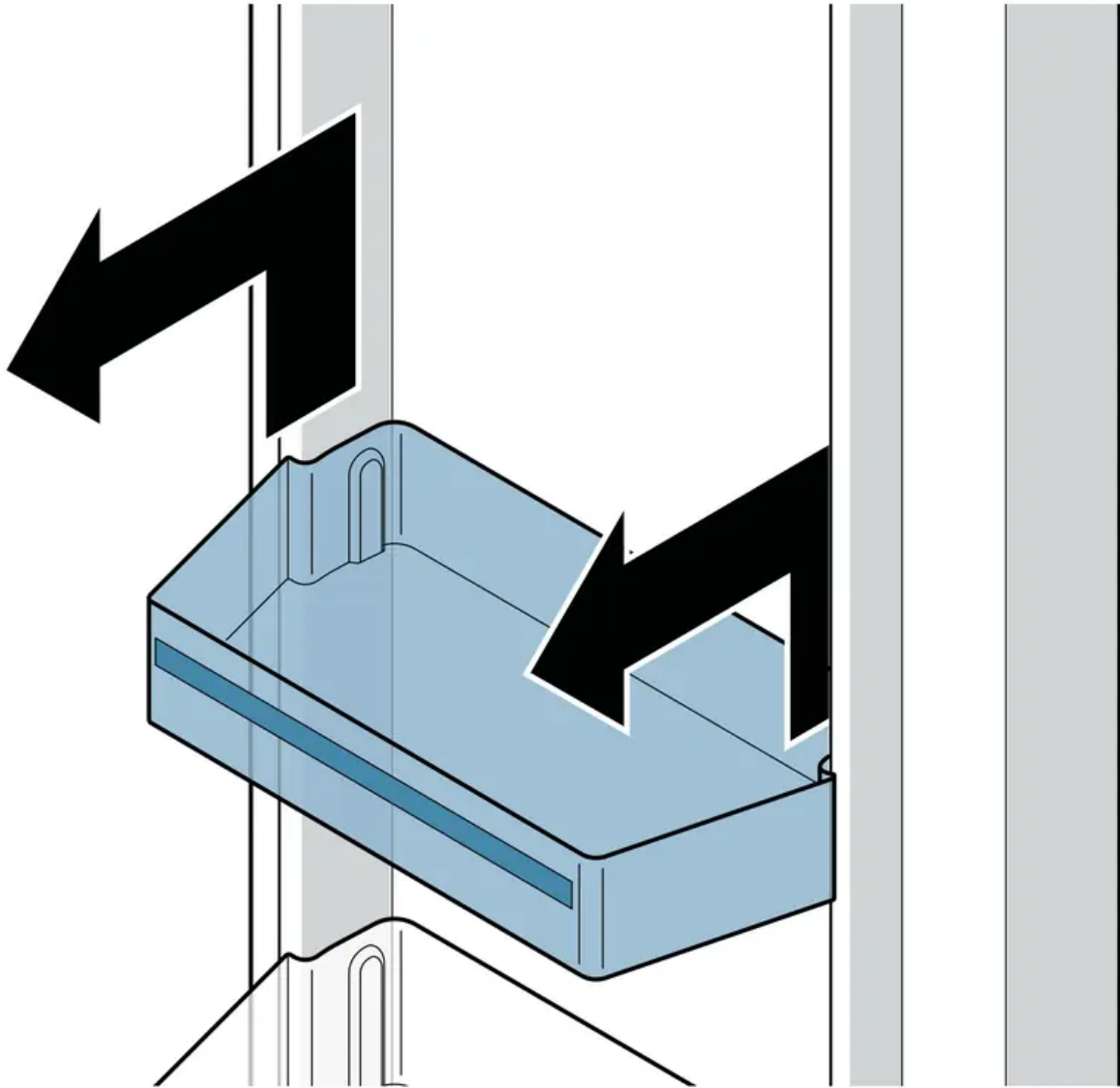
3. **cubed** button
Sets dispensing to ice cubes.
4. **crushed** button
Sets dispensing to crushed ice.
5. **water** button
Sets dispensing to water.
6. **bottle fill** button
Sets dispensing to a specific amount of water.
7. Water dispenser outlet
8. Ice dispenser opening
9. Dispenser lever
10. Drip tray

Equipment

Storage compartment

You can remove the storage compartment:

- Lift up the storage compartment and remove.



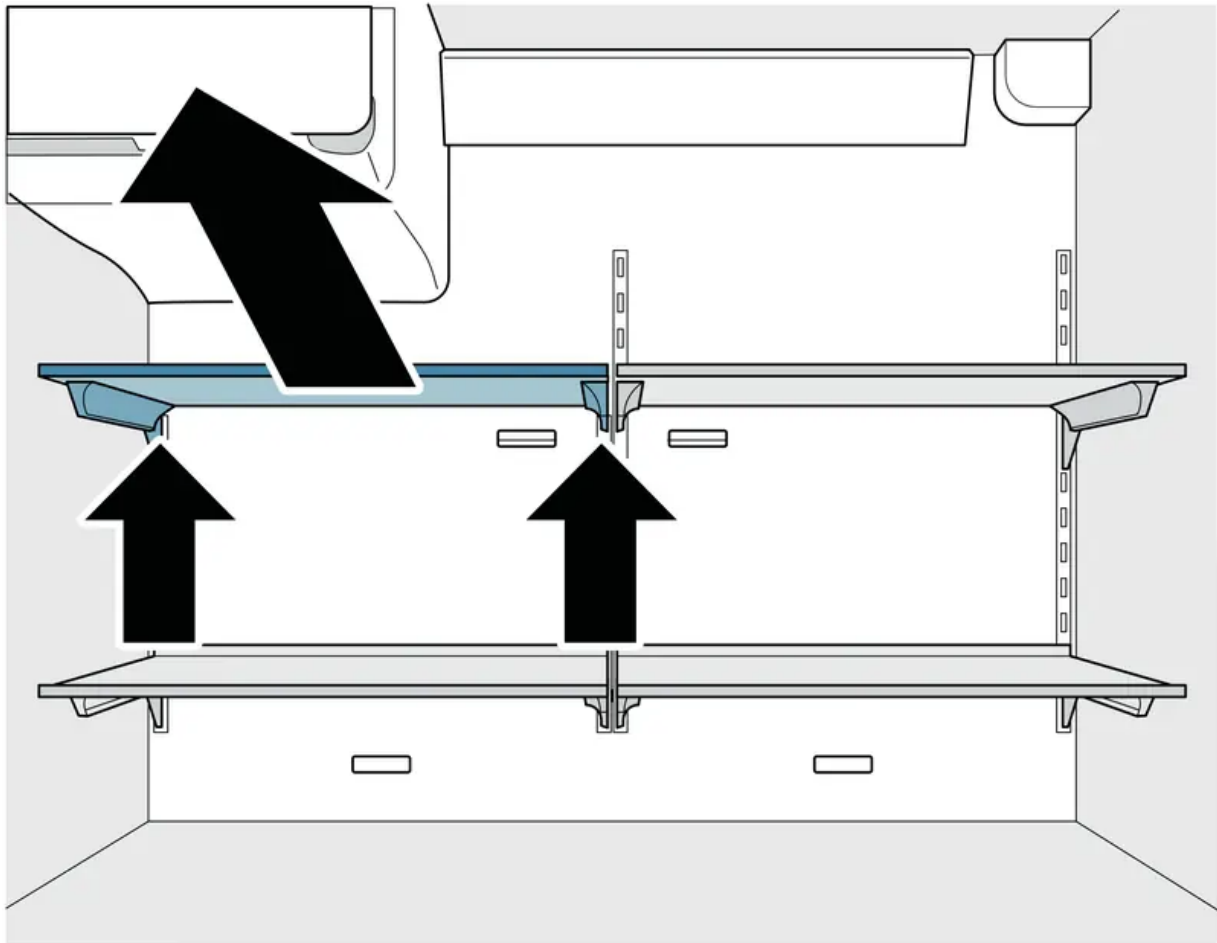
Shelf

You can remove and adjust the shelf:

- Lift shelf and remove.

Notes

- Do not cover the ventilation openings.
- Insert shelf carefully to avoid scratching the appliance.
- Ensure that the hooks are fully inserted and the shelf is horizontal.



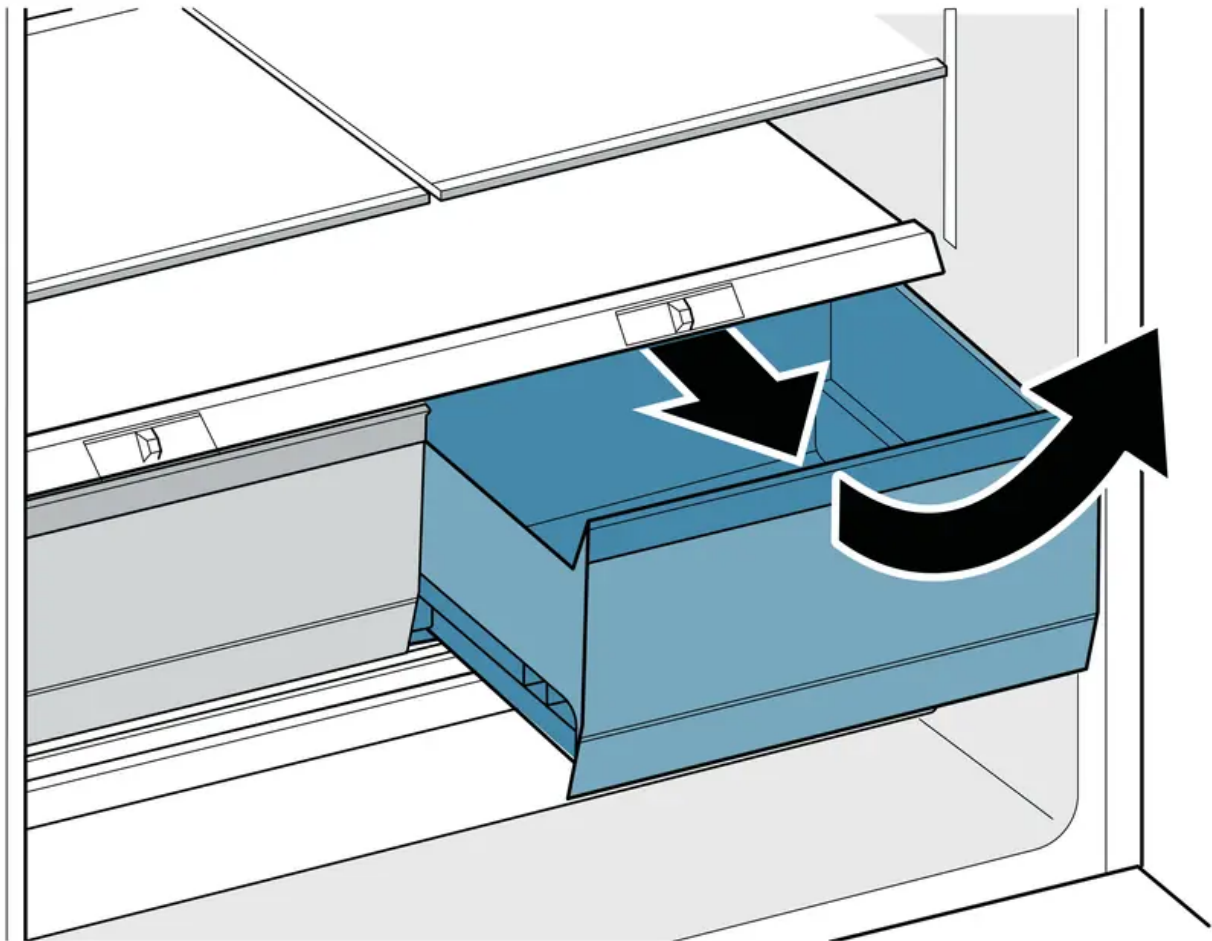
Vegetable bin

You can remove the bin:

- Pull out the bin all the way, lift at the front and remove.

You can insert the bin:

- Pull out the telescopic rails all the way.
- Place the bin on the telescopic rails and push into the appliance until it engages.



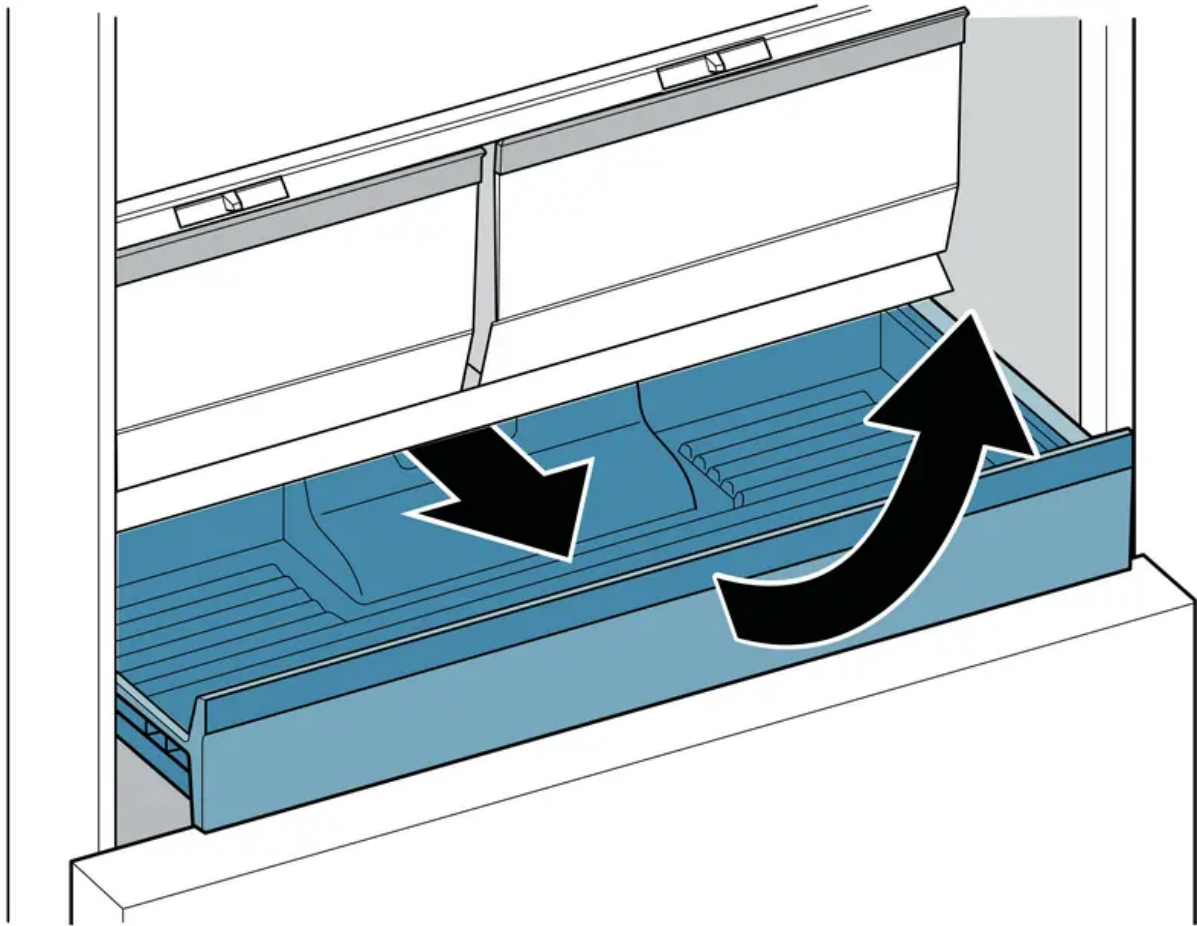
Cold storage bin

You can remove the bin:

- Pull out the bin all the way, lift at the front and remove.

You can insert the bin:

- Pull out the telescopic rails all the way.
- Place the bin on the telescopic rails and push into the appliance until it engages.



Frozen food bin (top)

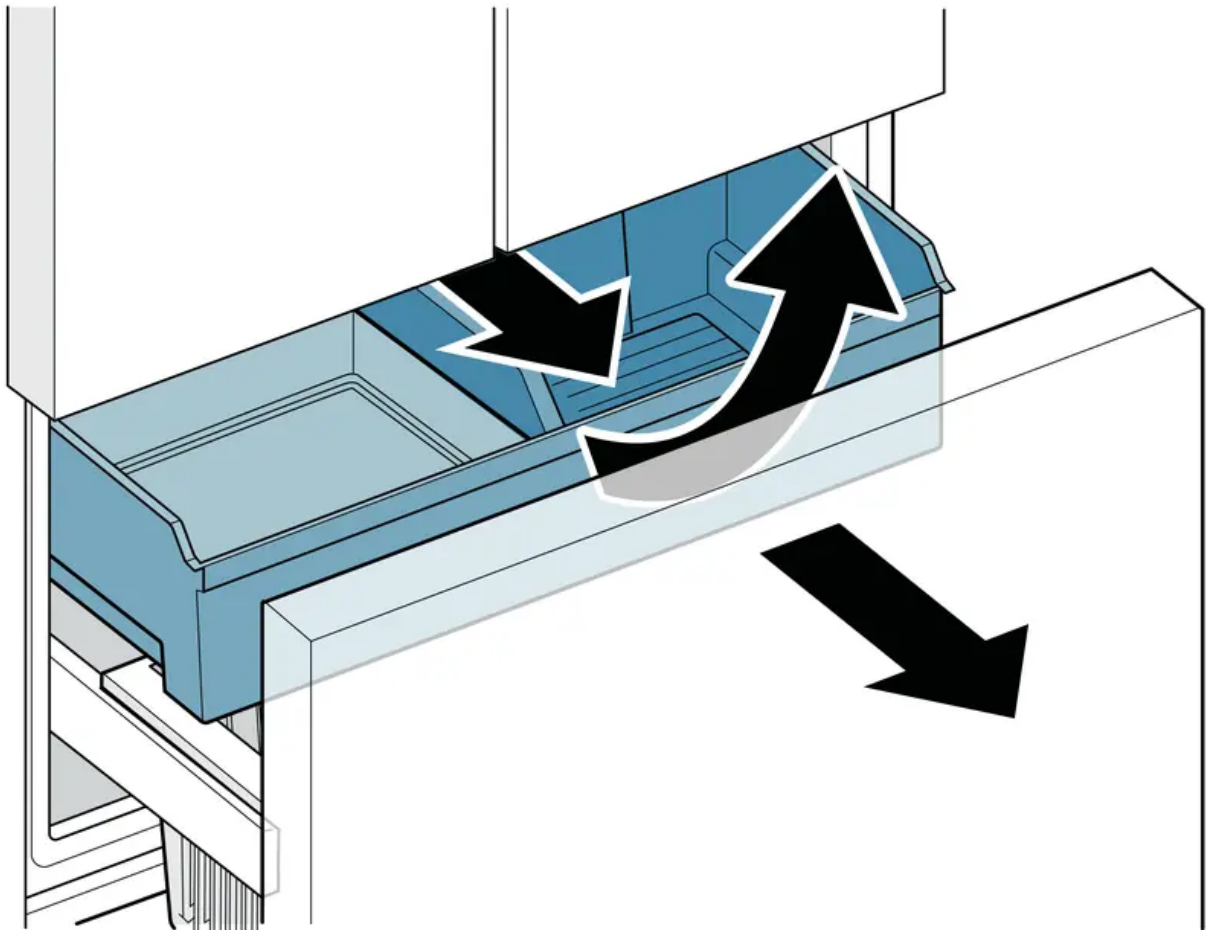
CAUTION - DAMAGE TO EQUIPMENT: Never remove the partition wall from the bin.

You can remove the bin:

- Pull out the bin all the way, lift at the front and remove.

You can insert the bin:

- Pull out the telescopic rails all the way.
- Place the bin on the telescopic rails and push into the appliance until it engages.

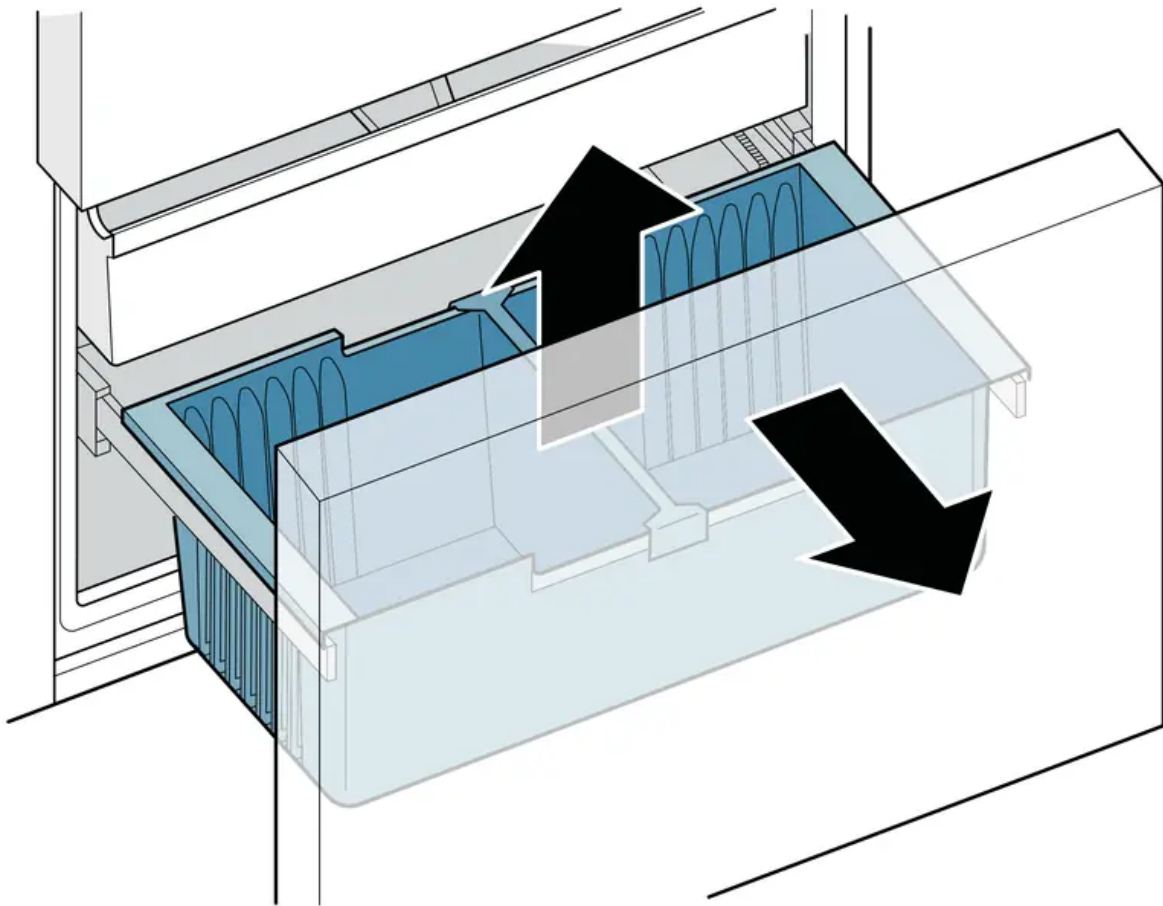


Frozen food bin (large)

CAUTION - DAMAGE TO EQUIPMENT: Never remove the partition wall from the bin.

You can take out the frozen food bin (large):

1. Pull the freezer compartment drawer all the way out and remove the frozen food bin (top).
2. Lift the frozen food bin (large) and remove it.



Ice maker

WARNING: RISK OF INJURY! Never reach under or into the ice maker.

Notes

- Ice cube production will start as soon as freezer and refrigerator compartments reach the set temperatures.
- As soon as the appliance reaches the set temperature, the first batch of ice cubes will be ready in approximately 4 hours.
- Once ready, the ice cubes are automatically discharged into the ice cube bin.
- Ice cube production stops automatically when the ice cube bin is full.
- For hygiene reasons, discard the ice cubes produced within the first 24 hours.

Ice cube bin

WARNING: RISK OF INJURY! Never reach into the dispenser opening of the ice cube bin.

WARNING: RISK OF COLD BURNS! Avoid prolonged contact between the skin and ice or metal surfaces in the ice cube bin.

CAUTION

- **Damage to the appliance:** Never store bottles or food in the ice cube bin, even for short periods. This may block and damage the ice maker.

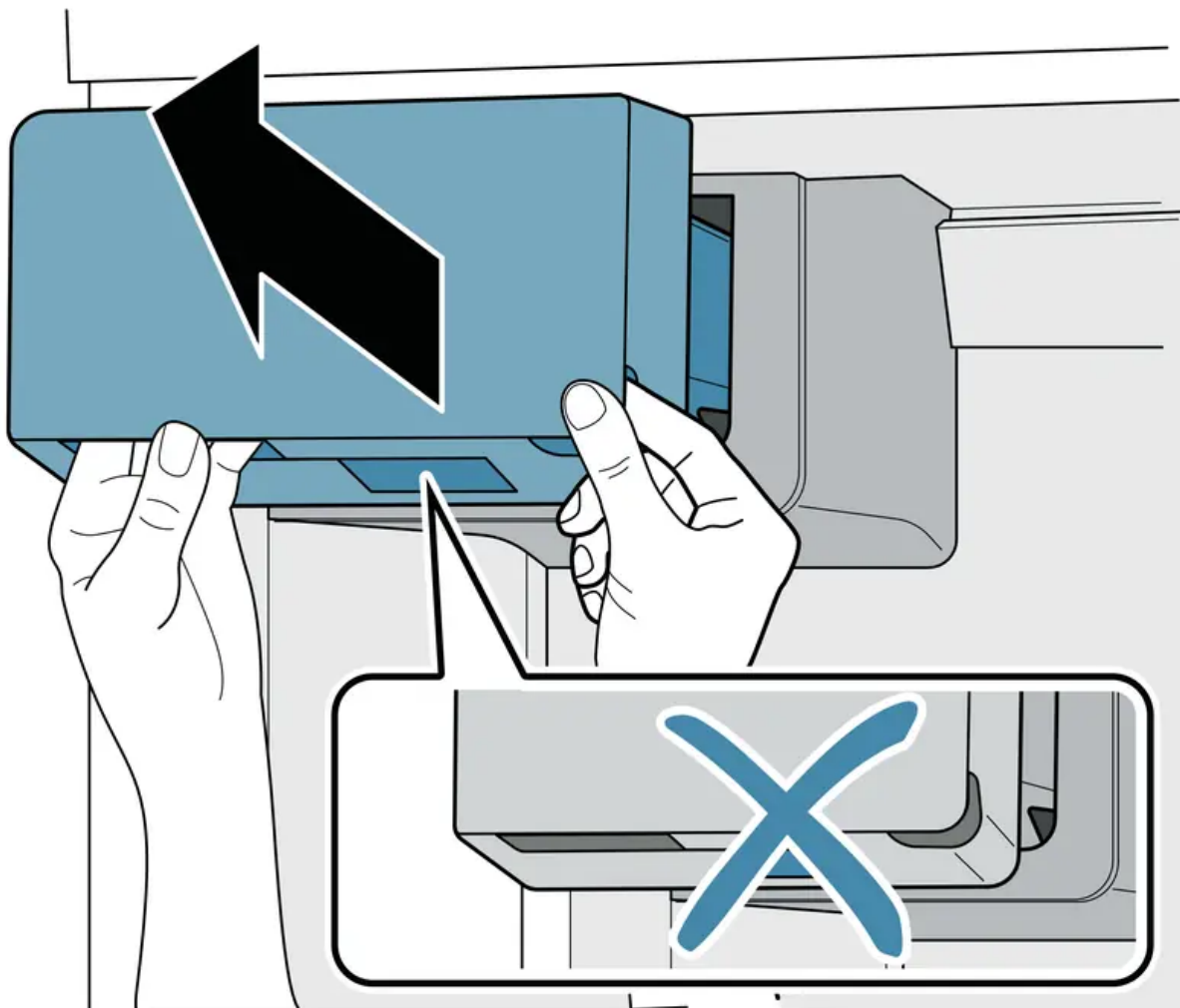
- **Damage to equipment:** Never clean the ice cube bin in the dishwasher.
- **When full, the ice cube bin is heavy:** Pull the ice cube bin out with both hands.

Notes

- You can take large amounts of ice cubes directly out of the ice cube bin or store them in the frozen food bin (top).
- Never put ice cubes into the ice cube bin manually.
- Clean the ice cube bin with lukewarm water and wipe dry with a soft cloth so new ice cubes cannot stick to it.

You can remove the ice cube bin:

- Grasp the left and right-hand notch under the bin and pull forward to remove.



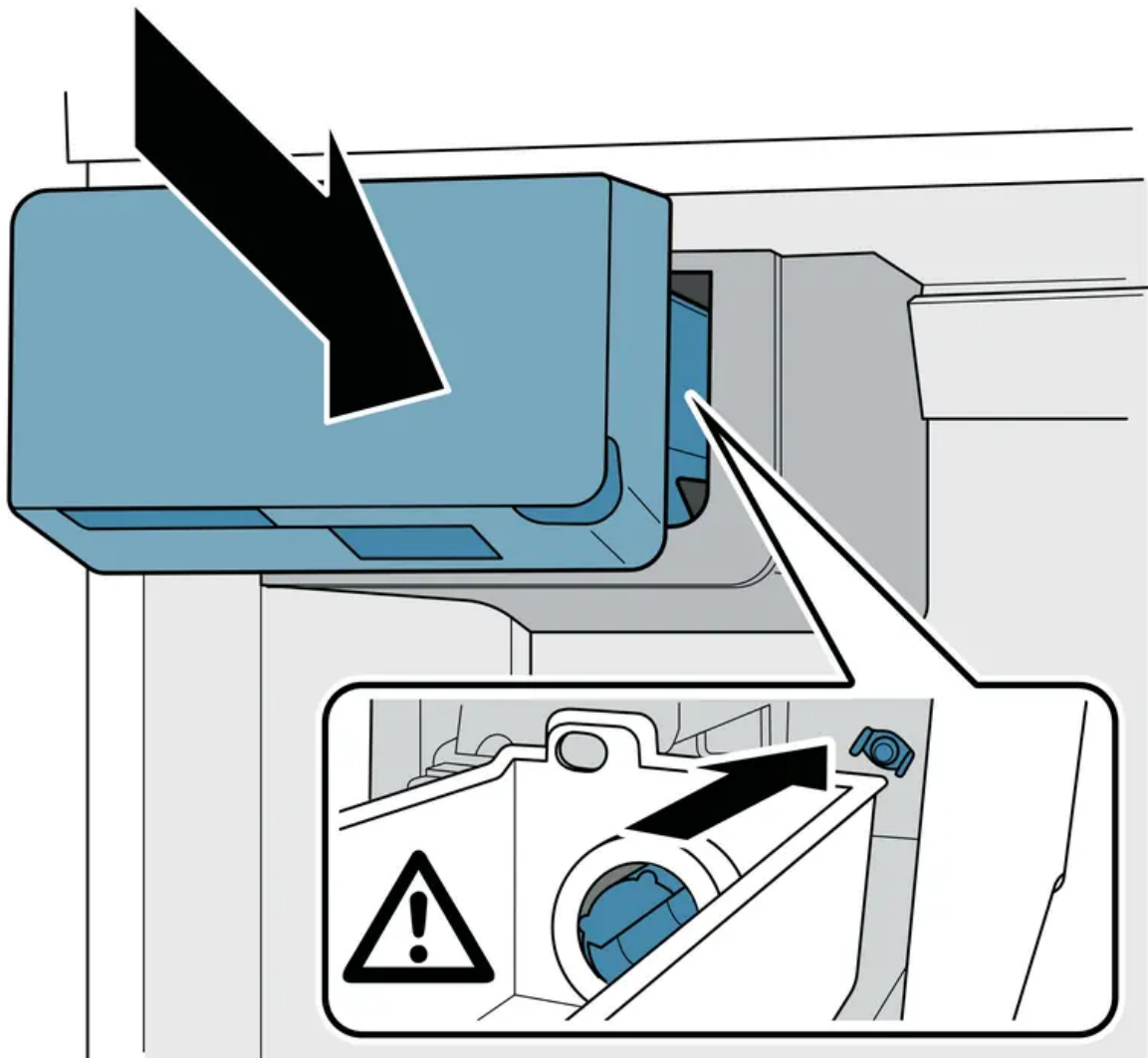
You can insert the ice cube bin:

- Position the bin in the opening and slide back until it engages.

Notes

- If the bin jams during insertion, remove any excess ice from the opening.

- During insertion, the turning position of the screw conveyor on the bin and the opening must match up.
- If the bin cannot be inserted, rotate the screw conveyor on the bin and try again.



Water filter

Note: After installing a new water filter, for hygiene reasons discard the ice cubes produced within the first 24 hours and dispense water for 5 minutes and discard.

The water filter supplied filters particles and the taste of chlorine out of the water, not bacteria or microbes:

Replace the water filter

- every 6 months
- as soon as the change filter button lights up
- if the water flow is visibly reduced

Note: A new water filter is available from our customer service, your dealer or on our website.

If you use an external water filtration system, you can also use the appliance without an internal water filter. To do this, replace the water filter with a bypass filter:

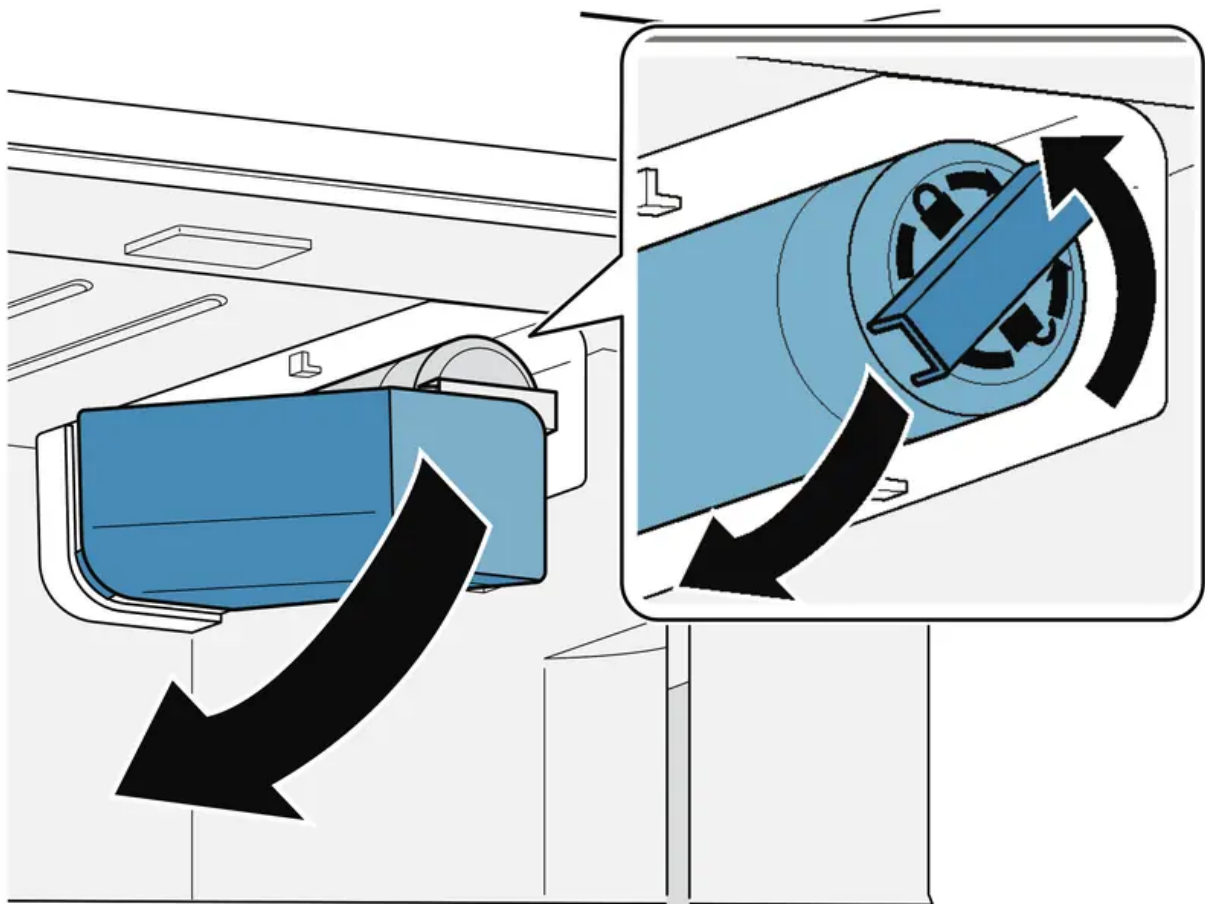
- The bypass filter removes coarse particles from the drinking water and can be cleaned as required.
- The bypass filter can remain in the appliance permanently and does not need to be changed.
- Switch off the change filter alarm as soon as the change filter button lights up. "Change filter alarm" on page 21.

Note: A new bypass filter is available from our customer service or on our website.

Change water filter or replace with bypass filter:


Notes

- When changing, some water will drip from the filter. Wipe drips up with a soft cloth.
 - You can dispose the used filter with your household garbage.
1. Reach into the lower recess of the filter cover, pull forwards slightly and move to the bottom left.
 2. Turn the filter 90° counterclockwise and remove.
 3. Insert the new filter in the filter opening to the stop and turn 90° clockwise as far as it will go.
 4. Move the filter cover up to the right again and slide back as far as it will go.



Operating the appliance

Switching the appliance on

1. Press  power button.
The appliance begins to cool. The alarm off button will blink and a warning sound will beep if the temperature in the freezer compartment is still too warm.
2. Press alarm off button.
The warning sound switches off.
3. Set the required temperature.
"Setting the temperature" on page 20


Operating tips

- When the appliance has been switched on, it may take several hours until the set temperatures have been reached. Do not put in any food until the selected temperature has been reached.
- The fully automatic NoFrost system ensures that the appliance remains frost-free. Defrosting is not required.

- The front sides of the housing are warmed to prevent condensation in the area of the door seal.


Switching off and disconnecting the appliance

Switching off the appliance

- Press  power button.
The appliance is no longer cooling.


Disconnecting the appliance

If you are not going to use the appliance for a long period:

1. Interrupt the water supply to the appliance.
2. Take all food out of the appliance.
3. Press  power button.
The appliance is no longer cooling.
4. Pull out the power plug or switch off the circuit breaker.
5. Remove the water filter, empty the ice cube bin and clean the appliance.
"Cleaning" on page 28
6. Leave the doors and drawers of the appliance open.

Setting the temperature unit

You can choose between the units °C and °F:

1. Press menu button.
2. Press °C/°F button.
3. Press  Settings button until settings display shows °C or °F.
4. Press menu button.
The setting is saved.

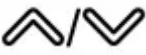
Setting the temperature

Recommended temperature


Refrigerator compartment: 37 °F (3 °C)

Freezer compartment: 0 °F (-18 °C)

Cooling compartment

- Keep pressing the  button until the display indicates the required temperature.

Freezer compartment

Keep pressing  button until the display indicates the required temperature.

Super cooling

Super cooling cools the refrigerator compartment as cold as possible.

Switch on super cooling, e.g.:

- Before placing large quantities of food into the compartment
- For cooling drinks quickly

Note: When super cooling is switched on, increased operating noises may occur.

After approx. 6 hours, the appliance switches to normal operation.

Switching super cooling on/off:

- Press  super button.

When super cooling is switched on, the button is lit up.

Super freezing

With super freezing, the freezer compartment cools down to the coldest temperature setting of the freezer compartment.

Switch on super freezing, e.g.:

- To quickly freeze food all the way to the center
- To increase ice cube production

Note: When super freezing is switched on, increased operating noise may occur.

After approx. 8 hours, the appliance automatically returns to normal operation.

Switching super freezing on/off:

- Press  super button.

When super freezing is switched on, the button lights up.

Energy saving mode

You can set the appliance to save energy with the energy-saving mode.

The appliance automatically sets the following temperatures:

- Refrigerator compartment: 43 °F (6 °C)
- Freezer compartment: 6 °F (-14 °C)

Switch energy-saving mode on or off:

- Press eco button.

The temperatures are changed, and the display shows the new temperatures. When energysaving mode is switched off, the last temperature set is displayed.

Freshness mode

Food stays fresh for even longer with freshness mode.

The appliance automatically sets the following temperature:

- Refrigerator compartment: 36 °F (2 °C)

The temperature in the freezer compartment remains unchanged.

Switch freshness mode on or off:

- Press fresh button.

The temperature is changed, and the display shows the new temperature. When freshness mode is switched off, the last temperature set is displayed.

Vacation mode

If leaving the appliance for a long period, you can switch it to energy-saving vacation mode.

The appliance automatically sets the following temperature:

- Refrigerator compartment: 43 °F (6 °C)

The temperature in the freezer compartment remains unchanged.

Switch on vacation mode:

- Press vacation button.

The temperature is changed and the display shows the new temperature.
Empty the ice cube bin for hygiene reasons.

Switching off vacation mode:

- Press vacation button.

The last temperature set is displayed.

For hygiene reasons, dispense water for 5 minutes and discard.

Sabbath mode

All non-essential functions are switched off so you can also use the appliance on the Sabbath.

The appliance switches off the following:

- Super cooling and super freezing
- Audible signals

- Interior light
- Messages on the control panel
- Water dispenser
- Ice maker

Note: Background illumination of display is reduced in Sabbath mode.

Switch on Sabbath mode:

- Press and hold vacation button for 10 seconds until an audible signal sounds.
When Sabbath mode is switched on, the alarm display lights up.

Switching Sabbath mode off:

- Press and hold the alarm display for 5 seconds until an audible signal sounds.

Note: After approx. 72 hours, the appliance automatically returns to normal operation.

Setting the light


You can adjust the brightness levels of the interior lighting from **0** to **5**:

Note:

0 = lighting off

1 = minimum brightness

5 = maximum brightness

1. Press **menu** button.
2. Press **light settings** button.
The submenu display shows **In**.
3. Press  Settings button repeatedly until the settings display shows the desired brightness level.
4. Press menu button.
The setting is saved.

Change filter alarm

When the change filter alarm switches on, the change filter button lights up. The alarm is designed to switch on every 6 months. It is recommended to change the water filter every 6 months.

Note: An increase in ice and water consumption will cause the change filter alarm to be switched on earlier.

Switching off the change filter alarm:

1. Change water filter or replace with bypass filter. "Water filter" on page 19

2. Press and hold change filter button for 3 seconds.

The change filter alarm is switched off and the change filter button no longer lights up.


The water filter timer is reset automatically.

If you replace the water filter before the change filter alarm lights up, reset the water filter timer manually:

Note:

1 = water filter timer running

0 = reset water filter timer

1. Press menu button.
2. Press change filter button.
3. Press  Settings button until settings display shows 0.
4. Press menu button.
The setting is saved.

Switching the ice and water dispenser button lock (child lock) on or off

The button lock protects the ice and water dispenser from being operated unintentionally:

Note: When the button lock is switched on, no ice or water can be dispensed. The ice maker continues to produce ice cubes.

- Press and hold lock button until all light bars light up.
The button lock is switched on and the light bar of the lock button lights up. When the button lock is switched off, the light bar of the last button used lights up.

Light of ice and water dispenser

Note: If no ice or water is dispensed for a long period, the ice and water dispenser light will turn off.

You can switch the light of the ice and water dispenser permanently on or off:

- Press light button.
The ice and water dispenser light is switched on permanently, and the light bar of the light button lights up.

Setting the bottle fill water amount

You can adjust the factory-set water bottle filling amount:

Note: The maximum fill time is 60 seconds. The light bars flash during the operation.

1. Press bottle fill button.
2. Place a pitcher or bottle under the water dispenser opening.

3. Simultaneously press and hold bottle fill and crushed buttons until the required water amount has been dispensed.

The new water amount is now preset to memory. Every time you press the bottle fill button, that water amount will be dispensed.

Switching the ice and water dispenser and ice maker on or off

If you are not going to use the ice and water dispenser and the ice maker for a long period:

- Press and hold lock and light buttons until all light bars light up.
The ice and water dispenser and the ice maker are switched off. When switched on, the light bar of the last button used lights up.

Alarm

Door alarm

If the appliance door is left open for a while, a warning sound is switched on and the alarm off button flashes.


Switching off door alarm:

- Close the door or press the alarm off button.
The warning sound is switched off and the alarm off button no longer flashes.

You can switch the door alarm warning sound on or off:

Note: On = switch on door alarm warning sound

OF = switch off door alarm warning sound

1. Press menu button.
2. Press alarm off button.
3. Press  Settings button until settings display shows On or OF.
4. Press menu button.
The setting is saved.

Temperature alarm

If the freezer compartment becomes too warm, the warning sound switches on and the alarm off button flashes.

CAUTION: DURING THE THAWING PROCESS, BACTERIA MAY DEVELOP AND SPOIL THE FROZEN ITEMS

Do not refreeze partly or completely thawed food.

Refreeze food only after cooking. The frozen items should no longer be stored for the maximum storage period.

Note: The temperature alarm can be set off without risk to the frozen food in the following situations:

- The appliance is switching on.
- If the freezer compartment door has been open too long.
- Large quantities of fresh food are being placed inside.

Switching off the temperature alarm:

1. Check that the cause of the temperature alarm has been eliminated.
2. Press the alarm off button.

The warning sound will be switched off and the freezer compartment temperature display will briefly indicate the warmest temperature reached in the freezer compartment. Then the display indicates the set temperature again. The warmest temperature will be measured again and saved.

Note: The alarm off button remains lighted until the set temperature has been reached again.

Refrigerator compartment

The refrigerator compartment is suitable for storing meat, sausages, fish, dairy products, eggs, ready meals and pastries.

The temperature can be set from 33° F (1° C) to 43° F (6° C).

The refrigerator compartment can also be used to store highly perishable groceries in the short to medium term. A temperature of +39°F (+4°C) or lower ensures optimum freshness and hygiene of the stored groceries.

Vegetable bin

The vegetable bin is the optimum storage location for fresh fruit and vegetables. You can adjust the humidity in the vegetable bin via the division plate's humidity controller and a special seal.

The humidity in the vegetable bin can be set according to the type and quantity of products to be stored:

- Mainly fruit as well as for a large load – set lower air humidity
- Mainly vegetables as well as for a mixed or small load – set higher air humidity

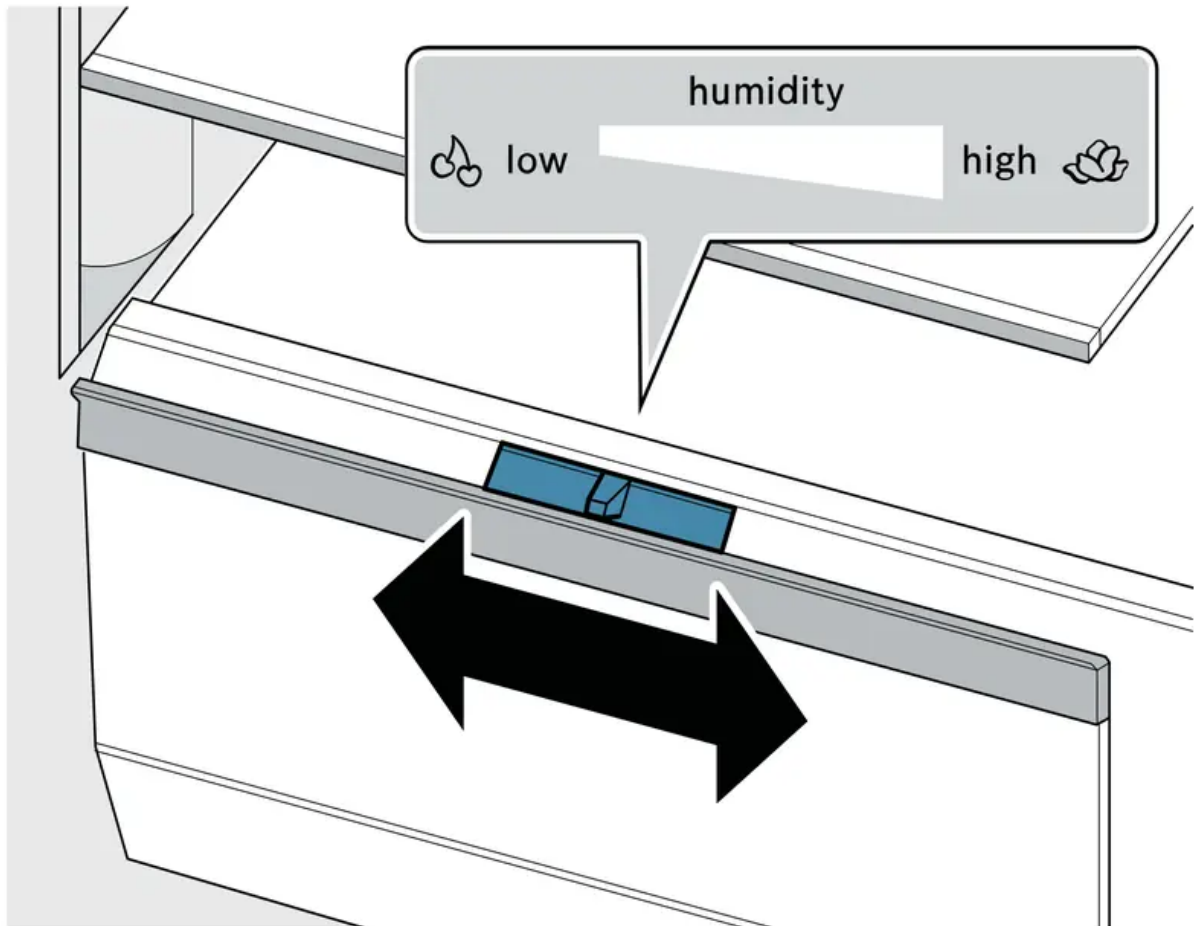
Notes

- Fruit sensitive to cold (e.g. pineapple, banana, papaya and citrus fruit) and vegetables sensitive to cold (e.g. eggplant, cucumbers, zucchini, peppers, tomatoes and potatoes)

should be stored outside of the appliance at temperatures of approx. +46°F ... +54°F (+8°C ... +12°C) for optimum preservation of quality and aroma.

- Condensation may form in the vegetable bin depending on the type and quantity of products stored.

Remove condensation with a dry cloth and adjust air humidity in the vegetable bin with the humidity controller.



Cold storage bin

The temperatures in the cold storage bin are lower than in the refrigerator compartment. Temperatures below +32 °F (0 °C) may occur.

Ideal for storing fish, meat and sausage. Not suitable for salads, vegetables and groceries sensitive to cold.

Note when storing food

- Store fresh undamaged food.
The quality and freshness will then be retained for longer.
- In the case of convenience products and bottled goods, do not exceed the minimum sell-by date or use-by date specified by the manufacturer.

- To retain aroma, color and freshness, pack or cover food well before placing it into the appliance.
This will prevent flavors being transferred between foods and the plastic parts from becoming discolored.
- Leave warm food and drinks to cool down before placing them into the refrigerator compartment.

Freezer compartment

The freezer compartment is suitable for:

- storing frozen food
- making ice cubes
- freezing food

The temperature can be set from 6 °F (–14 °C) to –7 °F (–22 °C).

The freezer compartment can be used to store perishable foods long-term almost without any noticeable reduction in quality, as the low temperatures considerably slow down or stop deterioration. Appearance, flavor and all valuable ingredients are largely retained.

The time between putting fresh food in the freezer compartment and it freezing solid depends on the following factors:

- temperature set
- type of food
- amount of food in the freezer compartment
- quantity and type of storage

Ice and water dispenser

You can use the ice and water dispenser to dispense:

- cooled water
- crushed ice
- ice cubes

To obtain maximal ice production (up to 12 lb (5.4 kg) in a 24 hour period):

- The appliance must be installed according to the installation instructions.
- The freezer compartment must be set to the coldest temperature.
- The ice cube bin must be emptied every 3 hours.

Results may vary depending on operating conditions such as:

- door openings
- food load
- ambient temperature and ambient humidity
- water pressure and water filter condition

Before using the appliance for the first time

CAUTION: To avoid water damage to the floor or to the appliance, never dispense water without a glass underneath.

Note: The ice and water dispenser only works if the appliance is connected to a drinking water line and a filter is installed.

- Once the appliance has been connected or a new water filter has been installed, there will be air in the water circuit. Keep dispensing water until it contains no more bubbles. Wipe splashes away with a soft cloth.
- For hygiene reasons, dispense water for 5 minutes and discard, and discard the ice cubes produced during the first 24 hours.

Observing drinking water quality

All materials used in the ice and water dispenser are odorless and tasteless.

If the water has an aftertaste, this may be due to the following causes:

- Mineral content and chlorine content of the drinking water
- Material of the water line leading to the appliance
- Freshness of the drinking water

Note: If you dispense water again after a long period, it may taste stale. Allow water to dispense for at least 5 minutes and discard.

You will obtain optimum water quality if you dispense some water regularly.

Operation of the ice and water dispenser

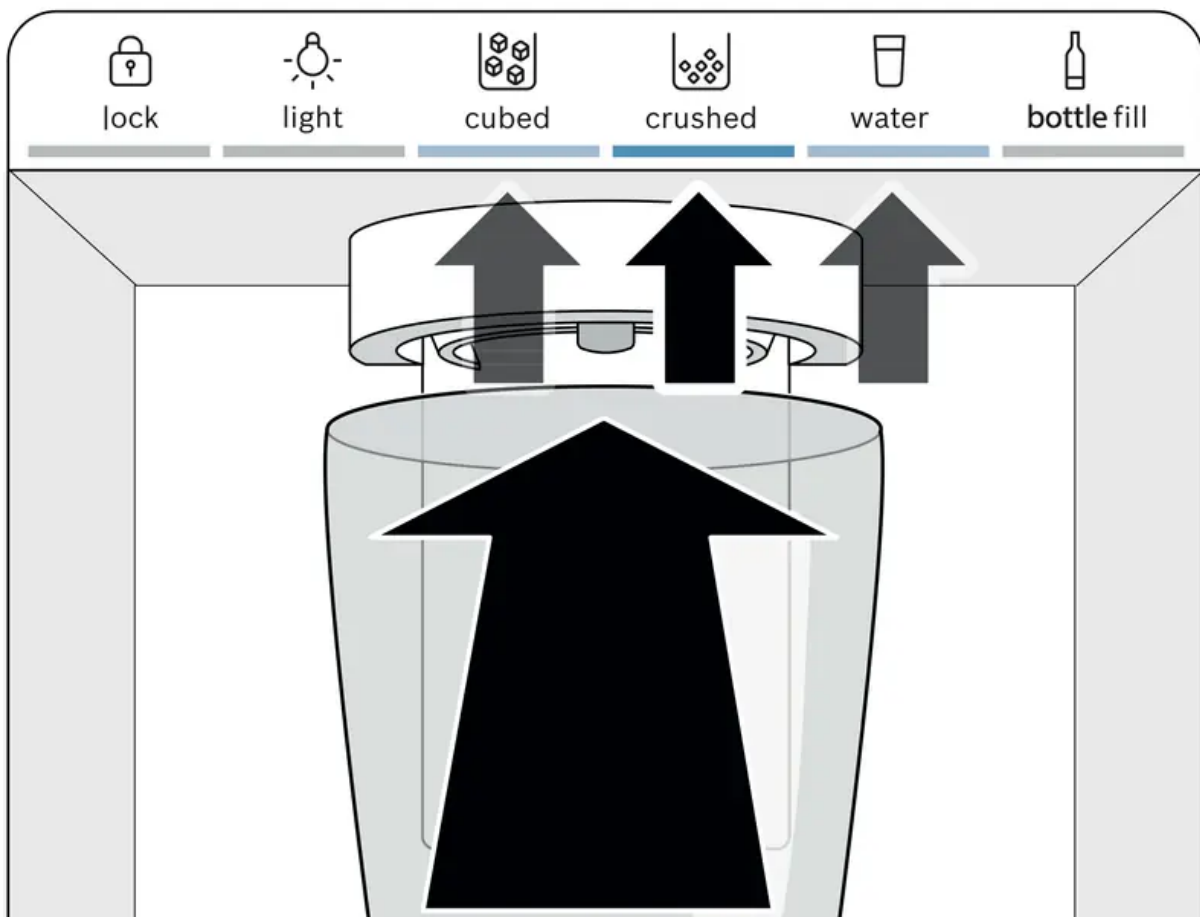
- When the appliance door is open, the ice and water dispenser stops, and the button lock is switched on.
- To prevent water damage, the ice and water dispenser stops automatically after a period of continuous dispensing. Wait a few seconds before dispensing ice or water again.
- The ice and water dispenser stops automatically after several consecutive dispensing operations. Wait a few minutes before dispensing ice or water again.
- To prevent ice from falling on the floor, hold the glass directly under the ice dispenser opening when dispensing crushed ice.

- When you switch from the crushed button to the cubed button, a little crushed ice may be dispensed.
- The dispensed water is cooled to a palatable temperature. To obtain a colder drinking temperature, put additional ice cubes in the glass.
- The water may become warmer when dispensing large amounts of water.
- If ice cubes taste stale, discard the remainder and the cubes produced over the next 24 hours. If ice cubes still taste stale, change the water filter.
- Regularly check the drip tray and clean as necessary. "Cleaning" on page 28

Dispensing ice or water

Note: Always hold the glass directly under the dispenser opening.

1. Press cubed button, crushed button or water button.
2. Keep pressing a glass against the dispenser lever until the glass contains the required amount of ice or water.



Bottle fill option

You can dispense a specific water amount with the bottle fill option:

Note: The factory-set amount of water is approx. 17 fl oz (0.5 l). "Setting the bottle fill water amount" on page 22

1. Press bottle fill button.
2. Place a pitcher or bottle under the water dispenser opening.
3. Press bottle fill button.
The bottle filling is dispensed.

Notes

- To interrupt dispensing, press any button of the ice and water dispenser.
- To dispense the bottle filling again, press bottle fill button.
- If no bottle filling is dispensed for a long period, dispensing switches to the water button.



Defrosting

The fully automatic NoFrost system ensures that the appliance remains frost-free. Defrosting is not required.

Cleaning

CAUTION - AVOID DAMAGING THE APPLIANCE AND THE EQUIPMENT.


- Do not use abrasive, chloride-based or acidic cleaning agents or solvents.
- Do not use scouring or abrasive sponges.
The metallic surfaces may corrode.
- Never clean the shelves or bins in the dishwasher.
The parts may become deformed.

CAUTION - AVOID DAMAGE TO APPLIANCE.

- Do not use stainless steel cleaner on the exterior.
- Test all cleaning agents or solvents on a small area before using them on the entire appliance.

Cleaning the appliance interior

Proceed as follows:

1. Press  power button.
2. Pull out the power plug or switch off the circuit breaker.
3. Take out food and store in a cool location.
Place ice pack (if available) on the food.
4. Clean the appliance with a soft cloth, lukewarm water and a little pH-neutral liquid detergent.
CAUTION: The rinsing water must not run into the lights.
5. Wipe door seal with clean water and dry thoroughly with a cloth.
6. Switch appliance back on and load the food.

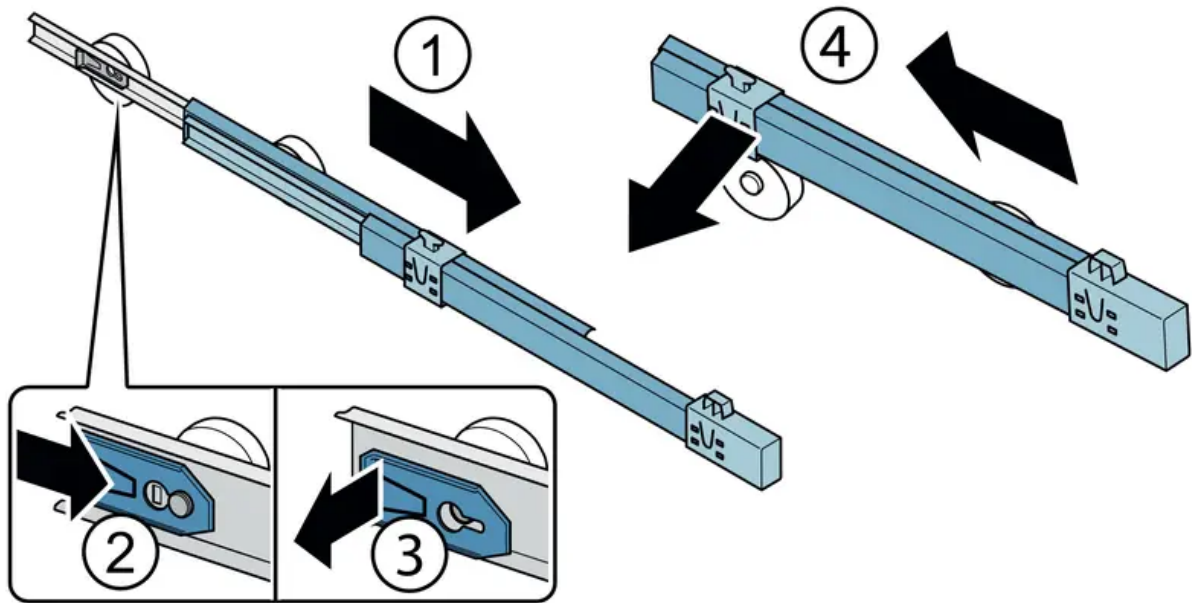
Cleaning the equipment

To clean, take the removable parts out of the appliance. "Equipment" on page 16

Telescopic rails

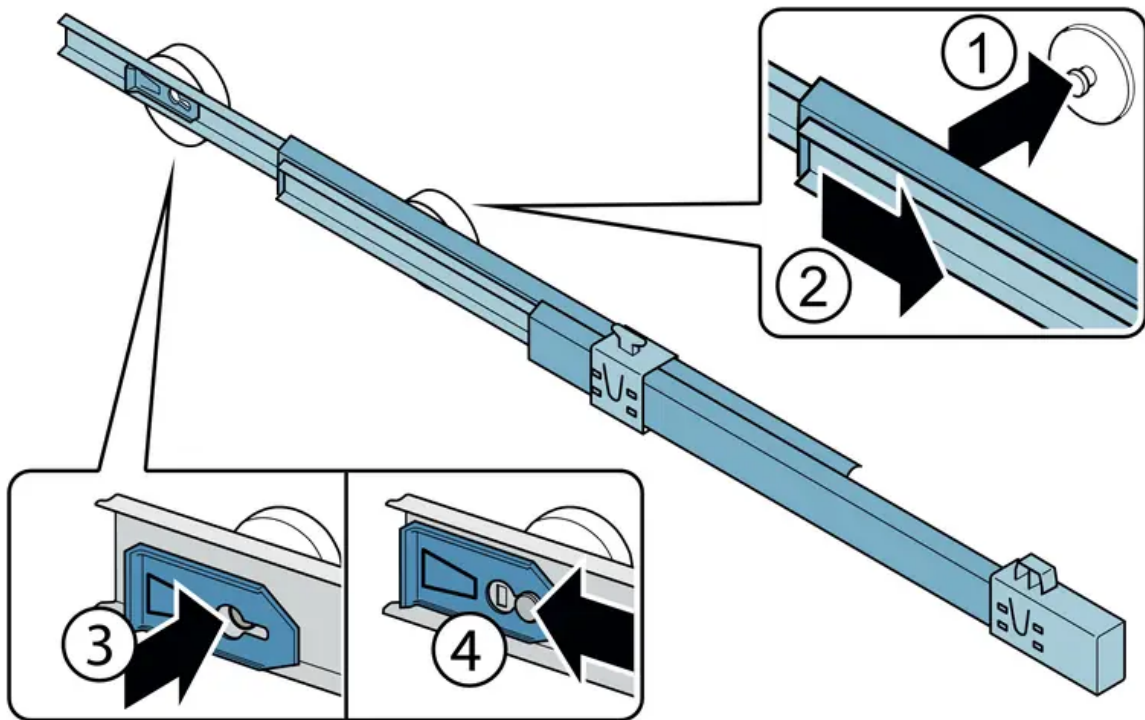
Removing telescopic rails

1. Pull out telescopic rail.
2. Push lock in the direction of the arrow.
3. Detach telescopic rail from the rear pin.
4. Push telescopic rail together, push backwards above the rear pin, and disengage.



Installing telescopic rails

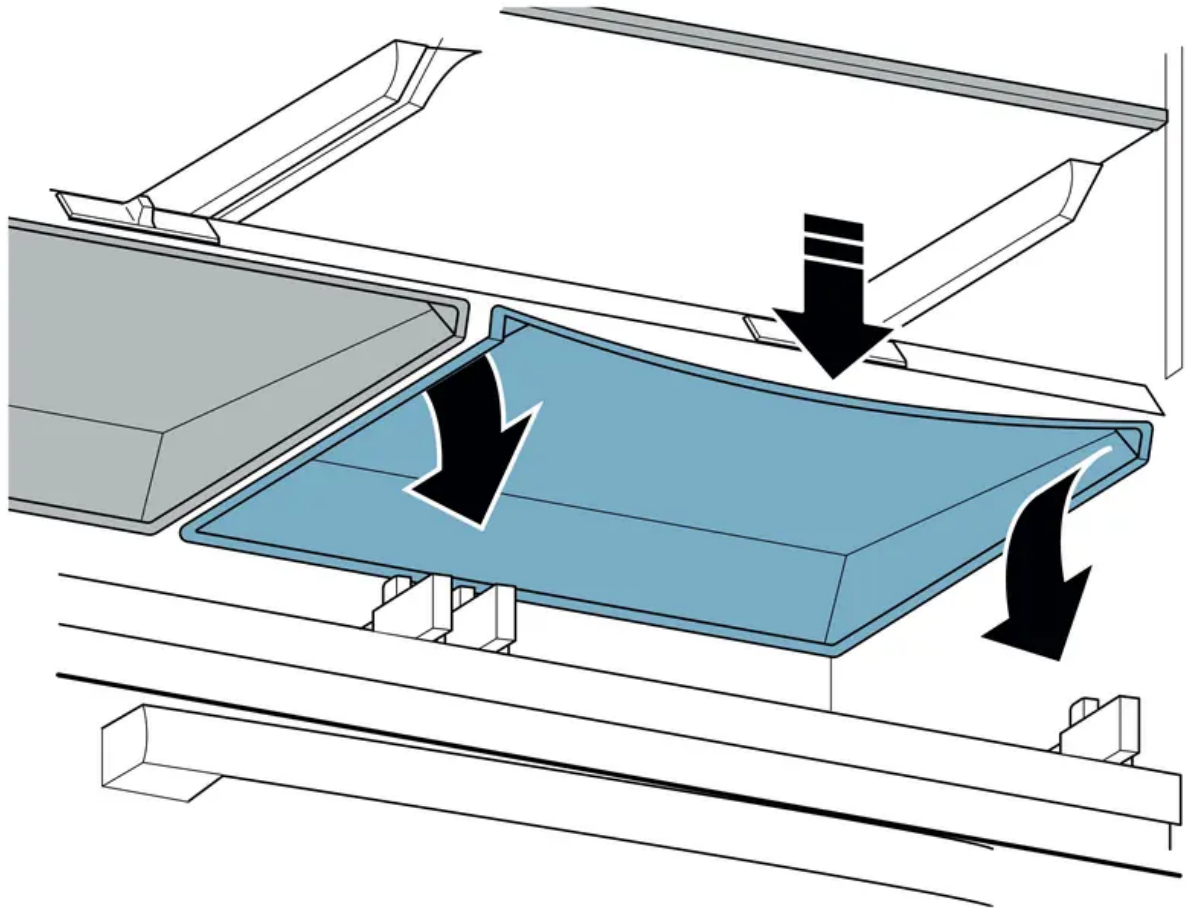
1. Place the extended telescopic rail on the front pin.
2. Pull the telescopic rail forwards slightly until it engages.
3. Insert telescopic rail on the rear pin.
4. Push lock backwards.

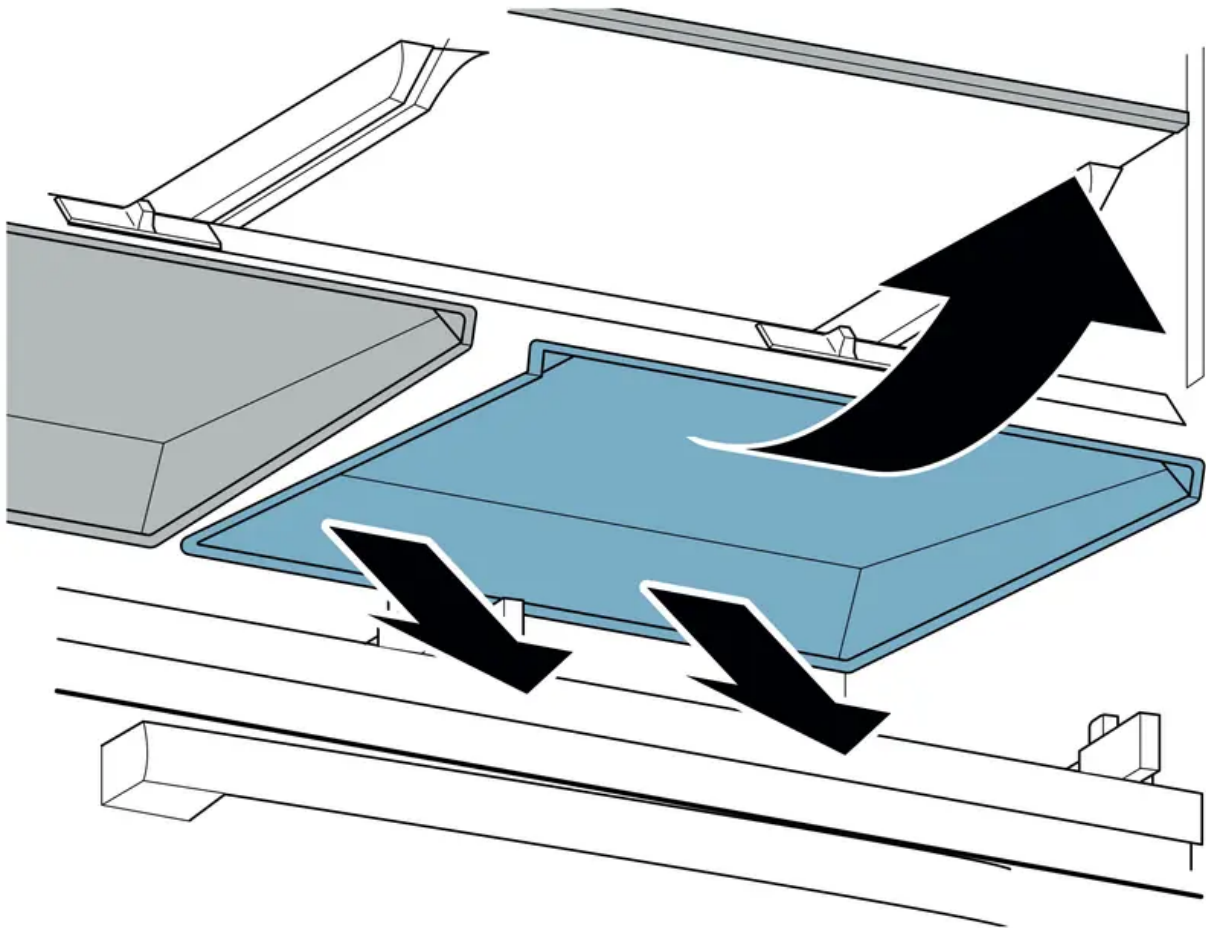


Vegetable bin cover

Remove the cover:

1. Take out the vegetable bin.
2. Bend down the cover slightly in the middle and detach at the front on one side.
3. Detach the cover at the front on the other side.
4. Detach the cover at the back and take out.

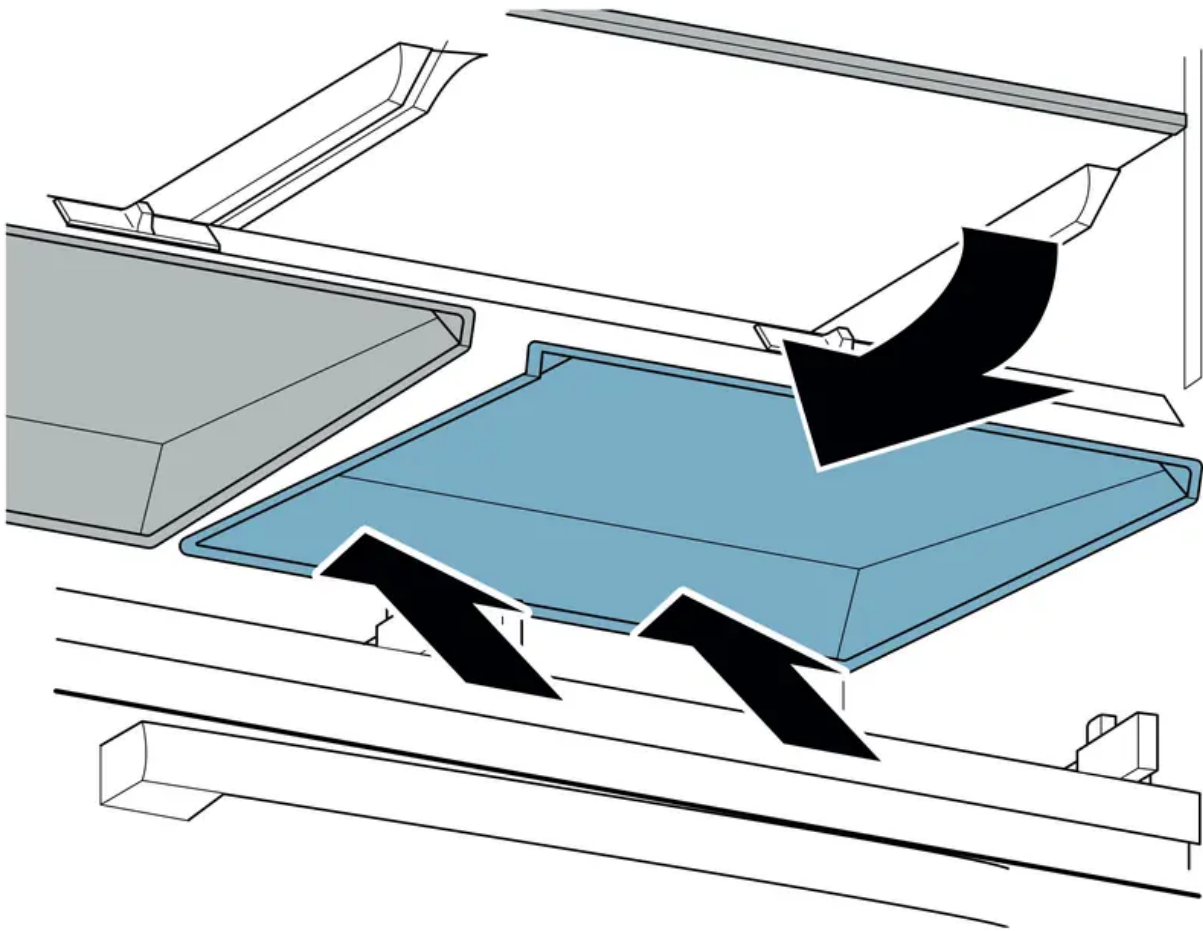


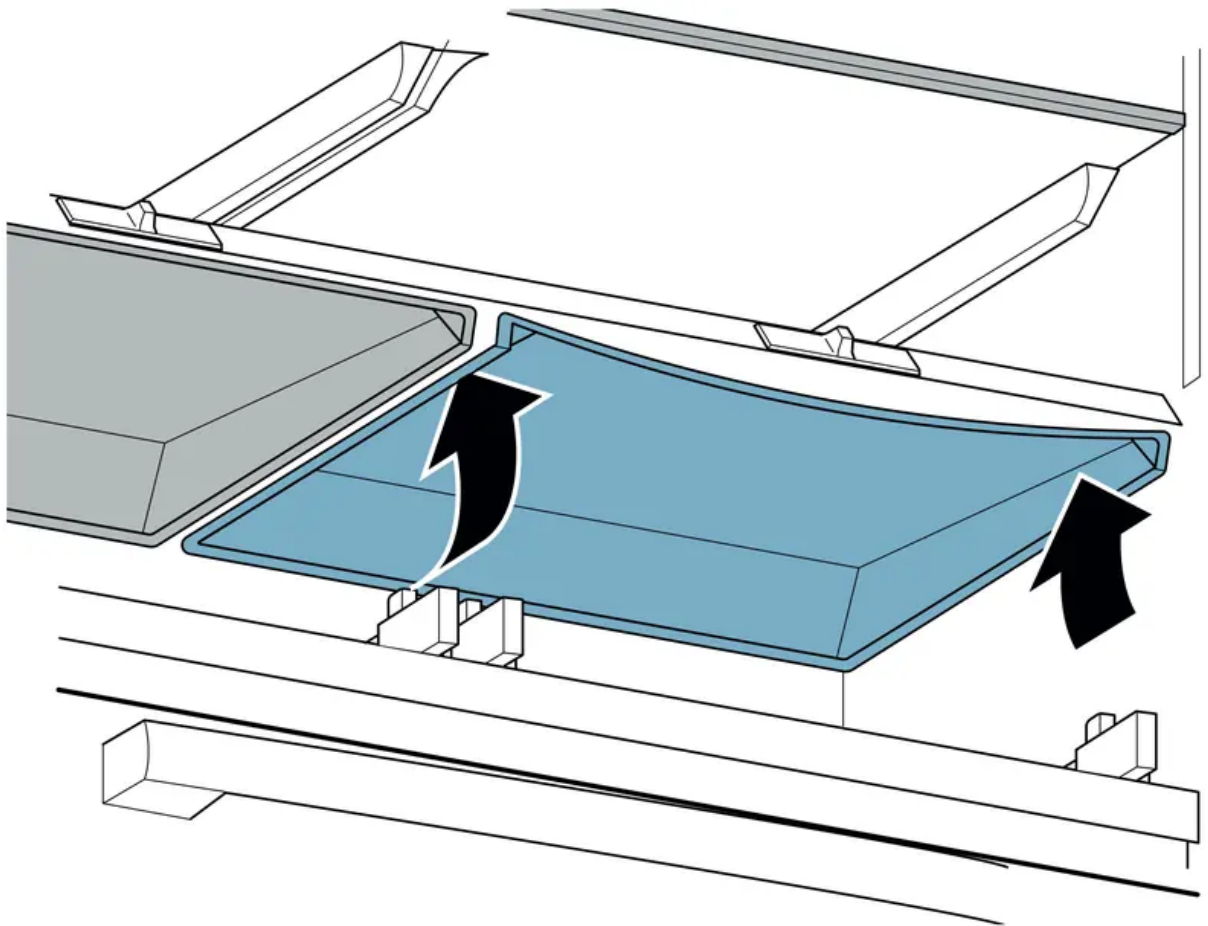


Installing the cover:

1. Attach the cover at the back.
2. Attach the cover at the front on one side.
3. Bend down the cover slightly in the middle and attach at the front on the other side.

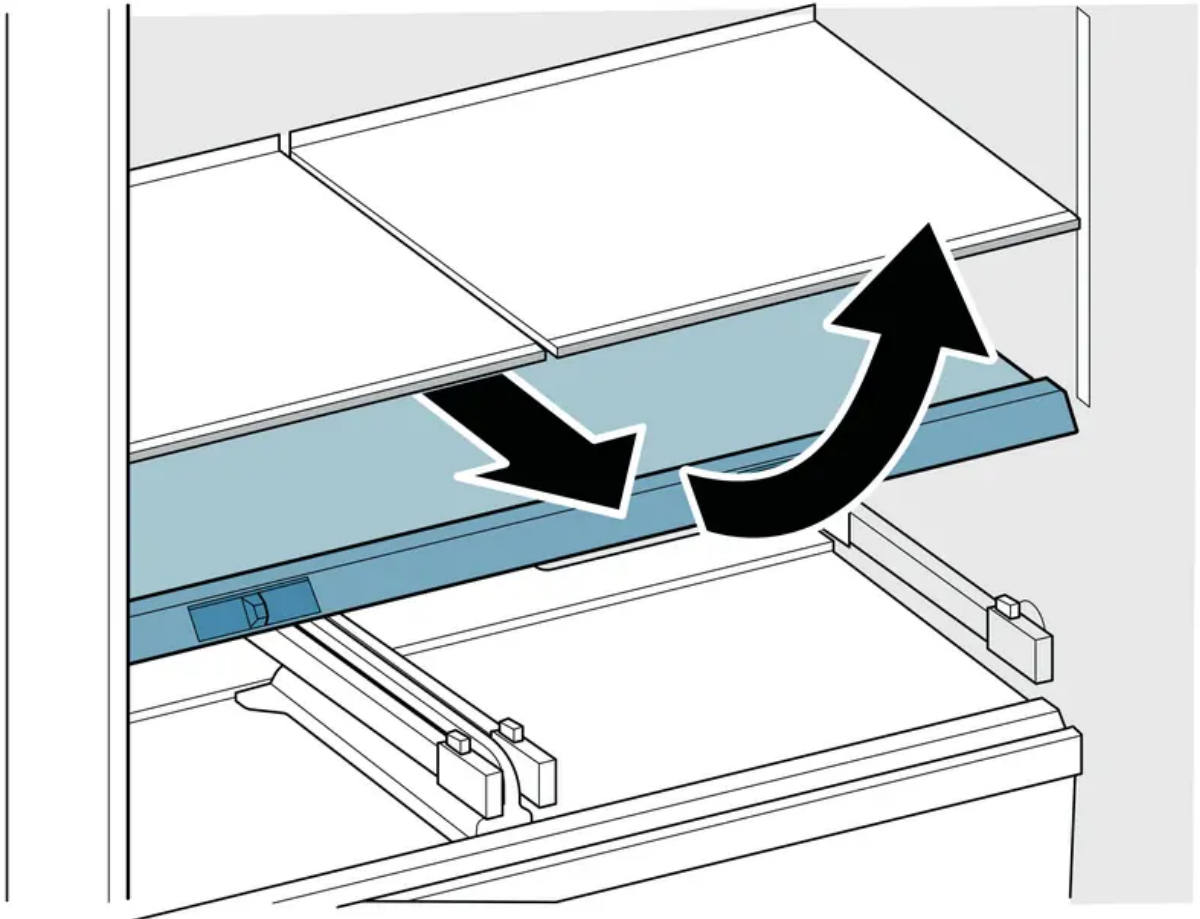
Note: If the cover remains bent, move the humidity controller to allow the cover to engage.





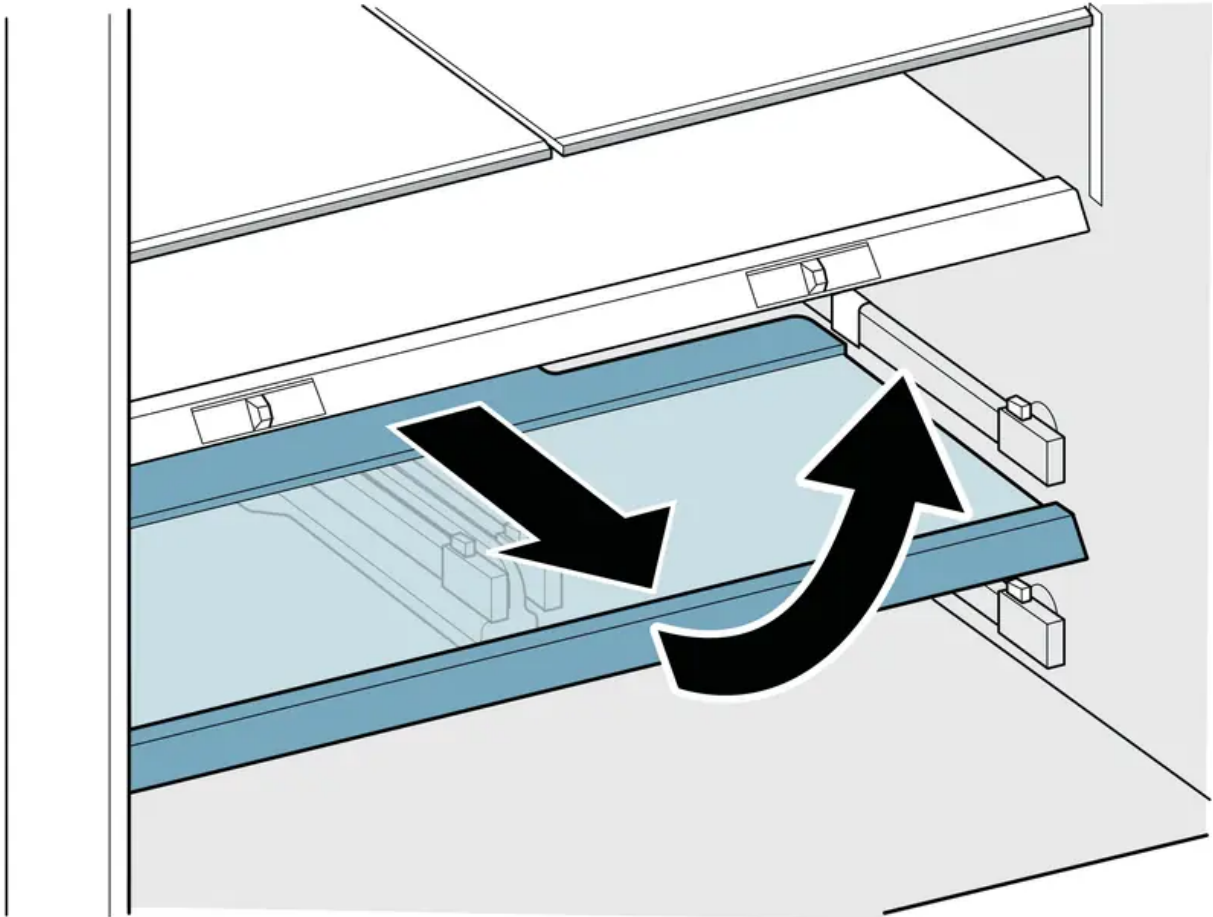
Shelf above the vegetable bin

1. Pull out the vegetable bin all the way.
2. Lift the shelf at the front and take out.



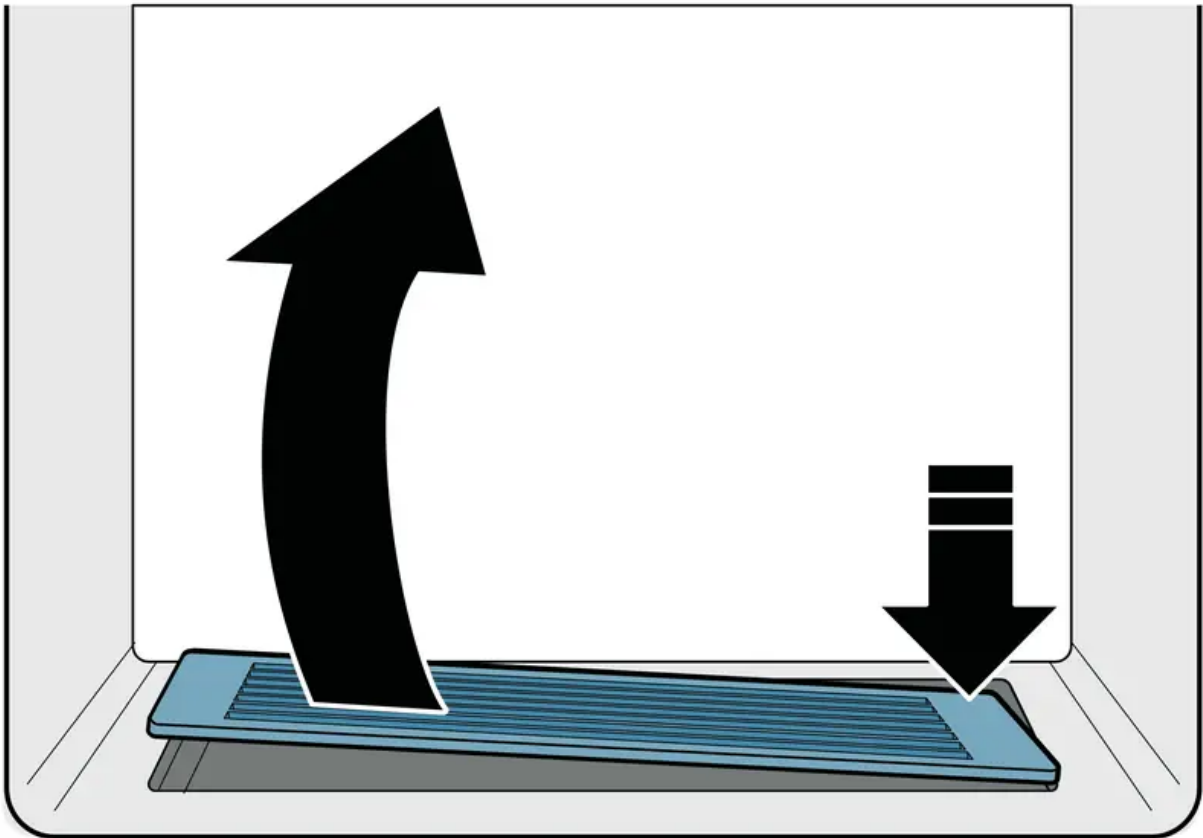
Shelf above the cold storage bin

1. Pull the cold storage bin all the way out.
2. Lift the shelf at the front and take out.




Drip tray

1. Press down and remove drip grate in top right corner.
2. Wipe drips away with a soft cloth and clean the drip tray with lukewarm water.
3. Re-insert drip grate.



Odors

If you notice any unpleasant odors:

1. Switch off the appliance with the  power button.
2. Take all food out of the appliance and look for spoiled food or any spillage.
3. Clean the inside. "Cleaning" on page 28
4. Seal strong-smelling food.
5. Switch the appliance on again.
6. Arrange food in the appliance.
7. After 24 hours, check whether odors are building up again.

Lighting

Your appliance features a maintenance-free LED light.

Only customer service or authorized technicians may repair the light.

Noises

Normal noises

Droning: A motor is running, e.g. refrigerating unit, fan, water valve is activated.

Bubbling, buzzing or gurgling: Refrigerant is flowing through the tubes.

Clicking: Motor, switch, solenoid valves or water valve are switching on or off.

Cracking: Automatic defrosting is running. Clattering sound: Ice cubes from the ice maker are falling into the ice cube bin.

Preventing noises

Appliance is not level: Align appliance. "Aligning the appliance" on page 7

The appliance is not "free-standing": Make sure the appliance is not touching other surfaces and the minimum clearances are observed. "Minimum clearances" on page 6

Bins, shelves or storage compartments wobble or stick: Check the removable equipment and re-insert if required.

Bottles or containers are touching each other: Move bottles or containers away from each other.

Troubleshooting

Appliance



Appliance overcooling or food too cold.	
Temperature has been set too low.	Adjust setpoint to a higher temperature.
Appliance not cooling or food too warm.	
Door(s) or drawer not closing properly.	<p>Check if the appliance is leveled. "Aligning the appliance" on page 7</p> <p>Check if there is no food or equipment obstructing the door.</p> <p>Check the door seals are free from damage.</p>
Temperature has been set too high.	Adjust the set point to a lower temperature.
Air vent(s) are blocked.	Remove any food blocking the air vent(s).
Door(s) or drawer opened frequently or for an extended period of time.	Wait at least 2 hours for the temperature in the appliance to cool down.
Appliance is in Eco Mode or Vacation mode.	Check to ensure that the appliance is not in Eco or Vacation mode.
A large amount of fresh food has been loaded in the refrigerator.	Wait at least 2 hours for the temperature in the appliance to cool down.
Appliance is in Showroom mode.	<p>If the appliance has the internal lights ON and the operating control display is also ON and showing no errors, the product might be in Showroom mode. Start the appliance self-test. "Appliance self-test" on page 34</p> <p>Wait at least 2 hours for the temperature in the appliance to cool down. If appliance still does not cool down. please contact customer service. "Customer service" on page 34</p>



Displays do not light up.	
The power plug has not been inserted properly.	Check that the power plug ends are fully inserted into the back of the appliance and into the wall power outlet.
The circuit breaker has tripped.	Check the circuit breaker box.
Power outage.	Check if power is available at the wall outlet.
Display indicates E....	
The electronics have detected an error.	Disconnect the appliance from power for 1 minute, either by removing the power cord from the wall outlet or by switching off the circuit breaker. After reconnecting the appliance, if error persists please contact customer service. "Customer service" on page 34
The alarm off button flashes and a warning signal sounds.	
	Press alarm off button. Alarm is switched off.
Door(s) or drawer ajar.	Close door or drawer. Check if there is no food or equipment obstructing the door.
Temperature of compartments too warm	Blocked air vents located on the back wall of the refrigerator and freezer compartments. Remove any food blocking the air vents.
	If compartments have just been loaded with fresh food, then wait at least 2 hours for the temperature in the appliance to cool down.

Dispenser



Ice and water dispenser not working.	
Ice and water dispenser is switched off.	Switch on the ice and water dispenser. "Switching the ice and water dispenser and ice maker on or off" on page 22
Ice and water dispenser is locked.	Unlock the ice and water dispenser. "Switching the ice and water dispenser button lock (child lock) on or off" on page 21
Door(s) or drawer ajar.	Close door or drawer. Check if there is no food or equipment obstructing the door.
Ice cubes may freeze together and block the dispenser or ice maker.	<ol style="list-style-type: none"> 1. Open the door. Check from inside whether ice cubes are blocking the ice chute. 2. Carefully remove the ice cubes blocking the ice chute with a wooden spoon.
Ice is being produced and dispensed but no water.	<p>Make sure the water supply is turned on.</p> <p>Disconnect the appliance from power for 1 minute, either by removing the power cord from the wall outlet or by switching off the circuit breaker. After reconnecting the appliance, if error persists please contact customer service. "Customer service" on page 34</p>
No water supply.	Check water connection, make sure the water supply is turned on and contact a certified plumber if necessary.
Low water pressure.	<p>Appliance needs to be connected in accordance with instructions. "Water connection" on page 13</p> <p>If a reverse osmosis water filtration system is connected to your refrigerator water supply, install a bypass filter. New bypass filter can be purchased from customer service and our website. "Water filter" on page 19</p> <p>The water filter is blocked or needs to be replaced.</p>
Kink in water hose.	Turn off water supply, straighten out kink. Replace the water hose if necessary.



Ice and water dispenser not working.	
Water is dripping from dispenser.	<p>Air may be trapped in the water system. To remove air, allow water to dispense for at least 5 minutes and discard. Repeat this step if you still experience water dripping.</p> <p>After dispensing, a few drops of water are normal. To minimize, slowly remove your glass from the dispenser.</p> <p>Residual ice in the dispenser chute is melting. Make sure the ice chute is free of ice shavings or pieces.</p>
Ice and water dispenser without power.	<p>Disconnect the appliance from power for 1 minute, either by removing the power cord from the wall outlet or by switching off the circuit breaker. After reconnecting the appliance, if error persists please contact customer service. "Customer service" on page 34</p>
Ice cube production is low.	
Appliance just plugged in.	<p>It can take several hours for the first batch of ice. "Ice maker" on page 18</p>
Recently dispensed a large amount of ice cubes.	<p>It could take a few hours until ice cube bin is full again.</p>
Low water pressure.	<p>Appliance needs to be connected in accordance with instructions. "Waterconnection" on page 13</p>
Door(s) or drawer opened frequently or for an extended period of time.	<p>Wait at least 2 hours for the temperature in the appliance to cool down.</p>
No ice production.	
Ice and water dispenser is switched off.	<p>Switch on the ice and water dispenser. "Switching the ice and water dispenser and ice maker on or off" on page 22</p>



Ice cube bin ajar.	Check if the ice cube bin is properly installed. "Ice cube bin" on page 18
No water supply	Check water connection, make sure the water supply is turned on and contact a technician if necessary. Switch off the appliance and back on again. Check whether ice cubes are being produced after 2 hours.
	Disconnect the appliance from power for 1 minute, either by removing the power cord from the wall outlet or by switching off the circuit breaker. After reconnecting the appliance, if error persists please contact customer service. "Customer service" on page 34
Water is leaking out of the appliance.	
Supply line connection is not tight.	Check if the connections are fastened firmly and the water hose is undamaged. Replace the water hose if necessary.
Recently installed filter.	When changing, some water will drip from the filter. Wipe drips dry with a soft cloth. "Water filter" on page 19
Dispenser drip tray overflowing.	Regularly check the drip tray for drips and clean as necessary. "Cleaning" on page 28
Any other source.	Please contact customer service. "Customer service" on page 34

Warning

This content is compiled from multiple sources and is provided for reference purposes only. It may not be complete or fully applicable to all situations. If you are unable to resolve your issue, please contact the product manufacturer or an authorized service provider for official support.