

## To Enjoy These Benefits:

Total freedom from repair bills so

Fast, convenient toll-free service is just a phone call away.

Top-quality repairs by factory-trained experts.

Quick access to genuine replacement parts so you can rest assured your refrigerator is repaired with the proper components.

Please attach sales receipt here for future reference.

**FOR YOUR SAFETY** Do not store or use gasoline, or other flammable liquids

duct labels for warnings regarding flammability and other hazards.

Do not operate the refrigerator in the presence of explosive fumes.

Avoid contact with any moving parts of automatic ice maker.

Remove all staples from the carton. Staples can cause severe cuts, and also destroy finishes if they come in contact with other appliances or furniture.

**CHILD SAFETY** Destroy or recycle the carton, plastic bags, and any exterior wrapping material immediately after the refrigerator is

Cartons covered with rugs, mats, spreads, plastic sheets or stretch wrap may become airtight chambers, and can quickly cause suffocation.

**PROPER DISPOSAL OF YOUR REFRIGERATOR OR FREEZER**

## Risk of child entrapment

Child entrapment and suffocation are not problems of the past. Junked or abandoned refrigerators or freezers are still dangerous - even if they will sit for "just a few days." If you are getting rid of your old refrigerator or freezer, please follow the instructions below to help prevent accidents.

Before you throw away your old refrigerator/freezer:

Remove doors.

Leave shelves in place so children may not easily climb inside.

Have refrigerant removed by a qualified service technician.

## ELECTRICAL INFORMATION

The refrigerator must be plugged into its own dedicated 115 Volt, 60 Hz, AC only electric outlet.

The power cord of the appliance is equipped with a three-prong grounding plug for your protection against electrical shock hazards. It must be plugged directly into a properly grounded three-prong

receptacle. The receptacle must be installed in accordance with local codes and ordinances. Consult a qualified electrician.

Do not use an extension cord or adapter plug. If the power cord is damaged, it should be replaced by the manufacturer, service technician or a qualified person to prevent any risk. Never unplug the refrigerator by pulling on the power cord. Always grip the plug firmly, and pull straight out from the receptacle to prevent damaging the power cord. Unplug the refrigerator before cleaning and before replacing a light bulb to avoid electrical shock.

Performance may be affected if the voltage varies by 10% or more. Operating the refrigerator with insufficient power can damage the compressor. Such damage is not covered under your warranty. Do not plug the unit into an outlet controlled by a wall switch or pull cord to prevent the refrigerator from being turned off accidentally.

Avoid connecting refrigerator to a Ground Fault Interruptor (GFI) circuit.

This Use & Care Manual provides specific operating instructions for your model. Use the refrigerator only as a refrigerator. Follow these important first steps.

## **LOCATION**

Choose a place that is near a grounded electrical outlet.

Do Not use an extension cord or an adapter plug.

If possible, place the refrigerator out of direct sunlight and away from the range, dishwasher or other heat sources.

The refrigerator must be installed on a floor that is level and strong enough to support a fully loaded refrigerator.

Consider water supply availability for models equipped with an automatic ice maker.

## **INSTALLATION**

### **LEVELING**

All four corners of your refrigerator must rest firmly on a solid floor. Your refrigerator is equipped with adjustable front rollers to help level your unit.

To Level Your Refrigerator:

Remove toe grille.

Installation Clearances

Allow the following clearances for ease of installation, proper air circulation, and plumbing and electrical connections:

Sides & Top 3/8" Back

Use flat-blade screwdriver or 3/8" socket wrench to adjust front rollers.

## **DOOR OPENING**

Your refrigerator should be positioned to allow easy access to a counter when removing food. To make this possible, the direction in which the doors open can be reversed. See Door Removal & Reversal Instructions on page 6.

Before Installing The Water Supply Line, You Will Need

Basic Tools: adjustable wrench, flat-blade screwdriver, and Phillips TM screwdriver  
Access to a household cold water line with water pressure between 20 and 120 psi.

A water supply line made of 1/2 inch (6.4 mm) OD, copper tubing. To determine the length of copper tubing needed, you will need to measure the distance from the ice maker inlet valve at the back of the refrigerator to your cold water pipe. Then add approximately 7 feet (2.1 meters), so the refrigerator can be moved out for cleaning (as shown). A shutoff valve to connect the water supply line to your household water system. DO NOT use a self-piercing type shutoff valve.

A compression nut and ferrule (sleeve) for connecting the water supply line to the ice maker inlet valve.

To Connect Water Supply Line To Ice Maker Inlet Valve

Disconnect refrigerator from electric power source.

Place end of water supply line into sink or bucket. Turn ON water supply and flush supply line until water is clear. Turn OFF water supply at shut off valve.

Unscrew plastic cap from water valve inlet and discard cap.

Slide brass compression nut, then ferrule (sleeve) onto water supply line, as shown.

Push water supply line into water valve inlet as far as it will go (1/2 inch).

Slide ferrule (sleeve) into valve inlet and finger tighten compression nut onto valve. Tighten another half turn with a wrench; DO NOT over tighten.

With steel clamp and screw, secure water supply line to rear panel of refrigerator as shown.

Coil excess water supply line (about 2-2 turns) behind refrigerator as shown and arrange coils so they do not vibrate or wear against any other surface.

Turn ON water supply at shutoff valve and tighten any connections that leak.

Reconnect refrigerator to electrical power source.

10. To turn ice maker on, lower wire signal arm (see ice maker front cover for ON/ OFF position of arm).

## **DOOR REMOVAL AND REVERSAL INSTRUCTIONS:**

Remove toe grille and top hinge cover.

Remove top hinge with 3/8" hex driver and lift freezer door off of center hinge pin. Set door aside.

Unscrew center hinge pin using adjustable wrench and save for reassembly.

Ensure plastic washer stays on hinge pin.

Lift refrigerator door off of bottom hinge and set aside.

Remove center hinge and shim by removing inside screw and loosening two outside screws enough to allow hinge and shim to slide out. Tighten screws.

Loosen two outside screws on opposite side of refrigerator. remove inside screw and install center hinge.

Remove bottom hinge with 3/8" hex driver. Reinsert two outside screws in holes and tighten. Inside screw will go to opposite side in step 8.

Remove two outside screws on opposite side of refrigerator and install bottom hinge. Insert and tighten screw saved from step 7.

Unscrew bottom hinge pin using adjustable wrench. Move hinge pin to other hole in hinge and tighten with adjustable wrench.

10. Reverse door handles (see instructions on next page).

11. Move freezer and refrigerator door stops to opposite side. Before starting screws. use an awl to puncture the foam.

12. Position refrigerator door onto bottom hinge pin and screw center hinge pin through center hinge into top of door. Close refrigerator door to help align hinge hole.

13. Tighten center hinge pin with adjustable wrench.

14. Remove cabinet and hinge hole plugs and move to opposite side.

15. Lower freezer door onto center hinge pin.

16. Close freezer door. Have an assistant lift up on opposite side of door while tightening screws to install top hinge.

17. Replace toe grille and top hinge cover.

18. Plug in electrical power cord and turn refrigerator temperature control to center position. Adjust setting as necessary.

## **TO REMOVE FREEZER HANDLE: (Handles may be easier to reverse while doors are off.)**

Remove two screws attaching handle to bottom of freezer door.

Remove short trim piece by sliding trim straight up and off of handle bracket.

Remove screw attaching top of handle to door.

Magnetic Nameplate Models: Gently pry magnetic nameplate frame from door. Remove nameplate from its frame. turn frame upside down and install in old handle holes. Insert magnetic nameplate into frame.

Self-Adhesive Nameplate Models: Gently peel off nameplate from door and reapply over old handle holes.

## **TO ATTACH FREEZER HANDLE:**

Reinstall handle on opposite side. using same hole as nameplate.

Attach handle to bottom of door.

Slide trim piece straight down onto handle bracket.

## **TO REMOVE FREEZER HANDLE: (Handles may be easier to reverse while doors are off.)**

Remove two screws attaching handle to bottom of freezer door.

Swing bottom of handle away from the door and slide handle straight up and off of dovetail button.

Remove screw and dovetail button and install on other side. using the same holes as nameplate.

Magnetic Nameplate Models: Use putty knife to gently pry magnetic nameplate frame from door. Remove nameplate from its frame. turn frame upside down and install in old handle holes. Insert magnetic nameplate into frame.

Self-Adhesive Nameplate Models: Use putty knife to gently peel off name plate from door and reapply over old handle holes.

## **TO ATTACH FREEZER HANDLE:**

Start with handle offset away from door. Place top of handle over dovetail button. swing handle into an upright position and pull downward. locking it into place.

Secure bottom of handle with two screws removed earlier.

## **TO REMOVE FREEZER HANDLE:**

(Handles may be easier to reverse while doors are off.)

Remove two screws attaching handle to bottom of freezer door.

Remove button plug using edge of putty knife.

Remove screw on side of freezer door and remove handle.

## **TO ATTACH FREEZER HANDLE:**

Secure side of handle to door and replace button plug.

Secure handle to bottom of door.

## **TRIM REMOVAL (FULL-LENGTH TRIM MODELS ONLY)**

In some models, the refrigerator door has a full length trim piece which continues from the bottom of the handle to the bottom of the door. The top of the trim attaches to the handle bracket (Figure 1) or fits around the base of the handle (Figure 2). An adhesive "trim lock" is positioned about halfway down. The bottom of the trim is held in place by either an adhesive trim lock, or a trim lock with two prongs inserted into a hole on the face of the door.

## **TO REMOVE TRIM:**

Remove trim by gently pulling trim lock areas out and away from door.

When trim is free from door, slide the trim straight down and away from base of handle.

### **TO REMOVE REFRIGERATOR HANDLE:**

(Handles may be easier to reverse while doors are off.)

#### **Figure 1 Style Handles**

Remove two screws attaching handle to top of refrigerator door.

Remove screw attaching bottom of handle to door.

Remove two hole plugs and hinge pin plug on top of door and install on opposite side. Use Phillips head screwdriver to remove plastic screw plug from front of door and install on opposite side

#### **Figure 2 Style Handles**

Remove two screws attaching handle to top of refrigerator door.

Swing top of handle away from door and slide handle down and off of dovetail button.

Remove screw and dovetail button and install on other side, moving hole plugs from corresponding holes to opposite side.

## **TO ATTACH REFRIGERATOR HANDLE:**

#### **Figure 1 Style Handles**

Secure bottom of handle with screws.

Secure top of handle with screws.

#### **Figure 2 Style Handles**

Start with handle offset away from door. Place bottom of handle over dovetail button. swing handle into an upright position and pull upward. locking it into place.

Secure top of handle with screws.

## TO ATTACH TRIM:

Slide both trim locks out of trim.

Insert new adhesive trim locks contained in your literature pack.

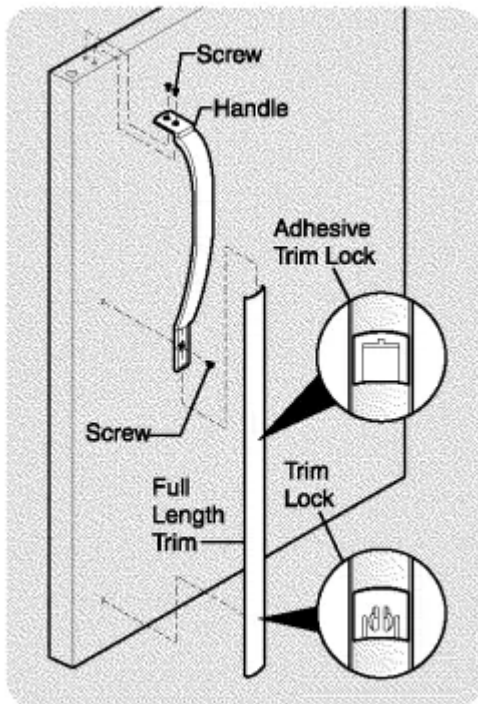
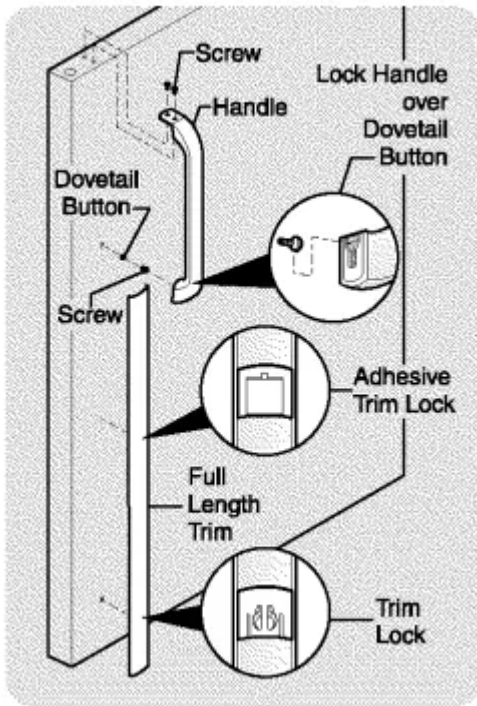


Figure 1

Install trim to handle by sliding under base of handle. Carefully align trim and press down at trim lock locations.

Use rubbing alcohol to remove any adhesive residue from old trim lock locations.



## **TO REMOVE REFRIGERATOR HANDLE: (Handles may be easier to reverse while doors are off.)**

Remove two screws attaching handle to top of refrigerator door.

Remove button plug using edge of putty knife.

Remove screw on side of refrigerator door and remove handle.

Reverse freezer and refrigerator handles as shown in figure 3.

Figure 3 - Handle Reversal

Refrigerator Door Without Trim

## **TO ATTACH REFRIGERATOR HANDLE:**

Secure side of handle to door and replace plug button.

Secure handle to top of door.

## **REMOVING STAINLESS STEEL DOORS AND HANDLES**

To Remove Doors

Stainless steel doors are not reversible. Follow these steps to remove doors.

Remove toe grille and top hinge cover.

Remove top hinge and lift freezer door off of center hinge pin. Set door aside.

Unscrew center hinge pin using adjustable wrench and save for reassembly. Ensure plastic washer stays on hinge pin.

Lift refrigerator door off of bottom hinge and set aside.

Remove center hinge and shim by removing inside screw and loosening two outside screws enough to allow hinge to slide out.

Remove bottom hinge. Reinsert two outside screws in holes and tighten.

Reverse steps 1 - 6 to reinstall doors

To Remove Handles

Firmly hold freezer handle while loosening set screws with 3/32" allen wrench. Remove freezer handle.

Repeat step 1 for refrigerator door.

## **COOL DOWN PERIOD**

To ensure safe food storage. allow the refrigerator to operate with the doors closed for at least 8 to 12 hours before loading it with food.

### **REFRIGERATOR & FREEZER CONTROLS**

#### **TEMPERATURE ADJUSTMENT**

Adjust temperature gradually: move the knob in small increments. allowing the temperature to stabilize.

For colder temperatures. turn the knob towards Colder.

For warmer temperatures. turn the knob towards Cold.

Turning the refrigerator control will change temperatures in both compartments.

For example. if the refrigerator control is turned to a colder setting. the freezer control may have to be adjusted to a warmer setting. Turning the freezer control will change only the freezer temperature.

To maintain temperatures. a fan circulates air in the refrigerator and freezer compartments.

For good circulation. do not block cold air vents with food items.

Freezer Control (some models)

Refrigerator Control (some models)

Refrigerator& Freezer Control (some models)

## TEMPERATURE ADJUSTMENT GUIDE

If Refrigerator compartment Is Too Warm Turn Refrigerator Control Slightly Towards Colder.

If Refrigerator compartment Is Too Cold Turn Refrigerator Control Slightly Towards Cold.

If Freezer compartment Is Too Warm Turn Freezer Control Slightly Towards Colder.

If Freezer compartment Is Too Cold Turn Freezer Control Slightly Towards Cold.

+ To Turn Refrigerator Off Turn Refrigerator Control To 0.

## SHELF ADJUSTMENT

Refrigerator shelves are easily adjusted to suit individual needs. Before adjusting the shelves, remove all food.

To adjust sliding shelves:

Remove shelf by pulling forward to stop position.

Lift front edge up and pull out.

Replace the shelf on any pair of rails by reversing this procedure.

To adjust cantilever shelves:

Sliding Wire Shelf

Lift front edge up.

Pull shelf out.

Replace the shelf by inserting the hooks at rear of the shelf into the watt bracket. Lower the shelf into the desired slots and lock into position.

SpillSafe™ glass shelves (some models) catch and hold accidental spills. In some models, the SpillSafe™ shelves slide out for easy access to food and for fast cleaning. The shelves slide out independently of the cantilever brackets.

Just pull the front of the shelf forward. The shelf can be extended as far as the stopper will allow but it is not removable from the cantilever bracket.

Sliding Glass Shelf

Full Width Cantilever Glass Shelf

Cantilever Glass Shelf - Fixed and Sliding

## DOOR STORAGE

Door bins, shelves, and racks are provided for convenient storage of jars, bottles, and cans. Frequently used items can be quickly selected.

Some models have door racks or bins that can accommodate gallon-sized plastic drink containers and economy-sized jars and containers.

Some racks are adjustable for maximum storage capacity.

The dairy compartment, which is warmer than the general food storage section, is intended for short term storage of cheese, spreads, or butter.

Door Rack

## **TALL BOTTLE RETAINER (SOME MODELS)**

The Tall Bottle Retainer keeps tall containers in the bin from falling forward when opening or closing the refrigerator door.

To install, hold the retainer at the top, and slide it over the outside wall of the bin, as shown in the diagram. The Tall Bottle Retainer works best with a Bin Snugger.

### **ADJUSTABLE DOOR BINS**

Some models have adjustable door bins that can be moved to suit individual needs.

To move door bins

Lift bin straight up.

Remove bin.

Place bin in desired position.

Lower bin onto supports until locked in place.

Adjustable Door Bin

Tall Bottle Retainer (left) and Bin Snugger (right)

## **SPECIAL ITEM RACK (SOME MODELS)**

The innovative design of the Special Item Rack allows you to store a six-pack of 12 ounce drink cans, a bottle of wine, a two-liter soft drink bottle, or a carton of eggs. The Special Item Rack mounts on the left side of your refrigerator. To install, just slide the Special Item Rack onto any shelf as shown in the drawing.

Special Item Rack

## **CRISPERS (SOME MODELS)**

The crispers, located under the bottom refrigerator shelf, are designed for storing fruits, vegetables, and other fresh produce. Wash items in clear water and remove excess water before

placing them in the crispers. Items with strong odors or highmoisture content should be wrapped before storing.

Crisper Drawer

#### DELI DRAWER (SOME MODELS)

Some models are equipped with a Dell Drawer for storage of luncheon meats, spreads, cheeses, and other dell items.

#### HUMIDITY CONTROL (SOME MODELS)

The Humidity Control, present on some models with crisper drawers, allows you to adjust the humidity within the crisper.

This can extend the life of fresh vegetables that keep best in high humidity.

Low Humidity

Crisper Humidity Control

Dell Drawer

### **WINE RACK (SOME MODELS)**

The Wine Rack stores bottles of wine, or single two-liter plastic bottles of juice or soda pop. To install, slide the Wine Rack onto the shelf with the curve facing in. To remove, slide the Wine Rack out. Install on either side of shelf.

Wine Rack

If your refrigerator has an automatic icemaker, it will provide a sufficient amount of ice at any time. Call your local dealer for information.

#### TURNING YOUR ICE MAKER ON

After the plumbing connections have been completed, the water supply valve must be opened. Place the ice container under the ice maker, pushing it as far back as possible. Lower the wire signal arm to its "down" or ON position. New plumbing connections may cause the first production of ice cubes to be discolored or have an odd flavor. These first cubes should be discarded until

#### TURNING YOUR ICE MAKER OFF

To stop the ice maker, lift the wire signal arm until it clicks and locks in the "up" or OFF position. The ice maker also turns off automatically when the ice container is full. If your model has an adjustable freezer shelf, place the shelf in the lower position, so that the wire signal arm will hit the ice when the container is full.

Ice Maker

## ICE MAKER TIPS

Ice cubes stored too long may develop an odd flavor. Empty the ice container and ensure that the wire signal arm is in its "down" or ON position. The ice maker will then produce more ice.

Occasionally shake the ice container to keep ice separated.

Keep the wire signal arm in its "up" or OFF position until the refrigerator is connected to the water supply or whenever the water supply is turned off. The following sounds are normal when the ice maker is operating: Motor running

Ice loosening from tray Ice dropping into ice container

Running water Water valve opening or closing

Wash the ice container in warm water with mild detergent.

Rinse well and dry. Stop the ice maker when cleaning the freezer and during vacations.

If the ice maker will be turned off for a long period of time, turn the water supply valve to the closed position.

## FOOD STORAGE IDEAS

### Fresh Food Storage

The fresh food compartment should be kept between 34° F and 40° F with an optimum temperature of 37° F. Avoid overcrowding the refrigerator shelves. This reduces the circulation of air around the food and results in uneven cooling.

### Fruits and Vegetables

Storage in the crisper drawers traps moisture to help preserve the fruit and vegetable quality for longer time periods.

### Meat

Raw meat and poultry should be wrapped securely so leakage and contamination of other foods or surfaces does not occur.

### Frozen Food Storage

The freezer compartment should be kept at 0° F or lower. A freezer operates most efficiently when it is at least 2/3 full.

### Packaging Foods for Freezing

To minimize dehydration and quality deterioration, use aluminum foil, freezer wrap, freezer bags or airtight containers.

Force as much air out of the packages as possible and seal them tightly. Trapped air can cause food to dry out, change color, and develop an off-flavor (freezer burn). Wrap fresh meats and

poultry with suitable freezer wrap prior to freezing. Do not refreeze meat that has completely thawed.

**Loading the Freezer** Avoid adding too much warm food to the freezer at one time. This overloads the freezer, slows the rate of freezing, and can raise the temperature of frozen foods. Leave a space between the packages, so cold air can circulate freely, allowing food to freeze as quickly as possible. Avoid storing hard-to-freeze foods such as ice cream and orange juice on the freezer door shelves. These foods are best stored in the freezer interior where the temperature varies less.

## ENERGY SAVING IDEAS

Locate the refrigerator in the coolest part of the room, out of direct sunlight, and away from heating ducts or registers. Do not place the refrigerator next to heat-producing appliances such as a range, oven, or dishwasher.

If this is not possible, a section of cabinetry or an added layer of insulation between the two appliances will help the refrigerator operate more efficiently. Level the refrigerator so that the doors close tightly. Refer to this Use & Care Manual for the suggested temperature control settings. Periodic cleaning of the condenser will help the refrigerator run more efficiently. See the Care and Cleaning Chart on page 18. Do not overcrowd the refrigerator or block cold air vents. Doing so causes the refrigerator to run longer and use more energy. Cover foods and wipe containers dry before placing them in the refrigerator. This cuts down on moisture build-up inside the unit. Organize the refrigerator to reduce door openings. Remove as many items as needed at one time and close the door as soon as possible.

### Warning

This content is compiled from multiple sources and is provided for reference purposes only. It may not be complete or fully applicable to all situations. If you are unable to resolve your issue, please contact the product manufacturer or an authorized service provider for official support.