

Warning Installation

Don't use a power cord, a plug, or a loose socket which is damaged.

+ Otherwise, it may cause a fire or electrical shock.



Always plug into a grounded outlet.

+ Otherwise, it may cause a fire or electrical shock.



Do not modify or extend the power cord length.

+ It will cause electric shock or fire due to heat generation.



Do not disassemble or modify products.

It may cause failure and electric shock. yy



Be caution when unpacking and installing.

+ Sharp edges may cause injury.



Do not store flammables like gasoline. benzene. thinner. etc. near the air conditioner

+ It may cause explosion or fire



Warning Operation

Do not place heavy object on the power cord and take care so that the cord should not be pressed.

+ There is danger of fire or electric shock.



Do not share the outlet with other appliances.

+ It will cause electric shock or fire due to heat generation.



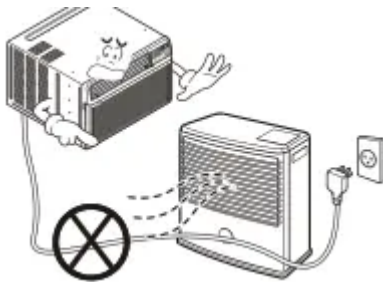
Take the power plug out if necessary, holding the head of the plug and do not touch it with wet hands.

+ Otherwise, it may cause a fire or electrical shock.



Do not place the power cord near a heater.

+ It may cause fire and electric shock.



Do not allow water to run into electric parts.

+ It will cause failure of machine or electric shock.



Use a soft cloth to clean. Do not use wax, thinner, or a strong detergent.

+ The appearance of the air conditioner may deteriorate, change color, or develop surface flaws.



Unplug the unit if strange sounds, odors, or smoke come from it.

+ Otherwise it may cause fire and electric shock accident.



Do not open the suction inlet grill of the product during operation.

+ Otherwise, it may electrical shock and failure.



If water enters the product, turn off the the power switch of the main body of appliance.
Contact service center after taking the power-plug out from the socket.



No correlation between fan usage and oxygen depletion.

+ An oxygen shortage may occur.



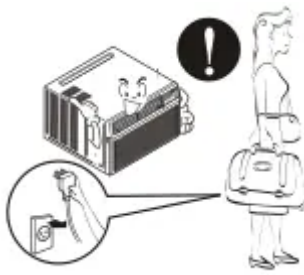
Turn off the power and breaker first when cleansing the unit.

+ Since the fan rotates at high speed during operation. it may cause injury.



Unplug the unit when not using it for a long time.

+ Prevent accidental startup and the possibility of injury.



Do not operate or stop the unit by inserting or pulling out the power plug.

+ It will cause electric shock or fire due to heat generation.



Do not damage or use an unspecified power cord.

+ It will cause electric shock or fire.



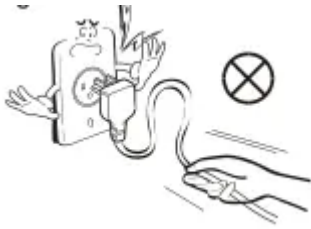
Do not operate with wet hands or in damp environment.

It will cause electric shock.



Hold the plug by the head (not the cable) when taking it out.

+ It may cause electric shock and damage.



When gas leaks. open the window for ventilation before operating the unit.

+ Otherwise. it may cause explosion. and a fire.



Never touch the metal parts of the unit when removing the filter.

+ They are sharp and may cause injury.



For inner cleaning. contact an Authorized Service Center or a dealer.

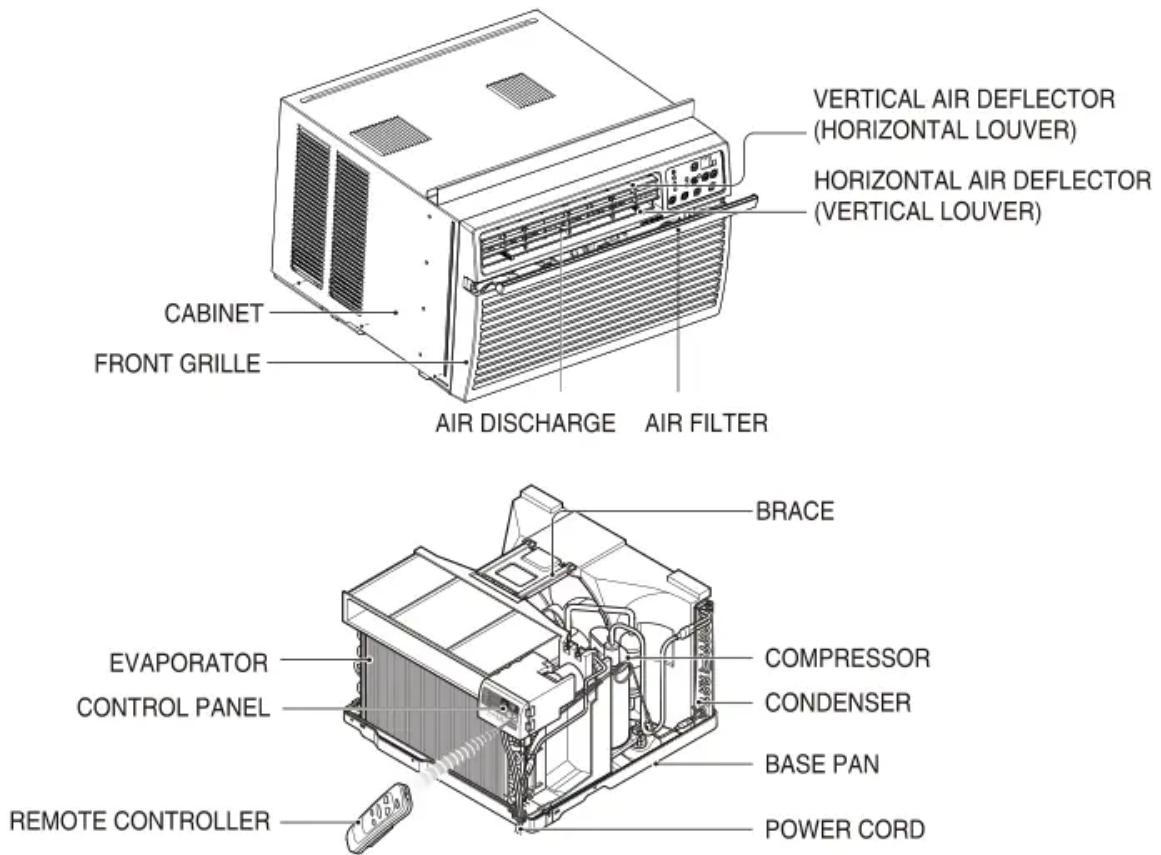
Do not use harsh detergent that causes corrosion or damage on the unit.

Harsh detergent may also cause failure of product. fire. or electric shock.

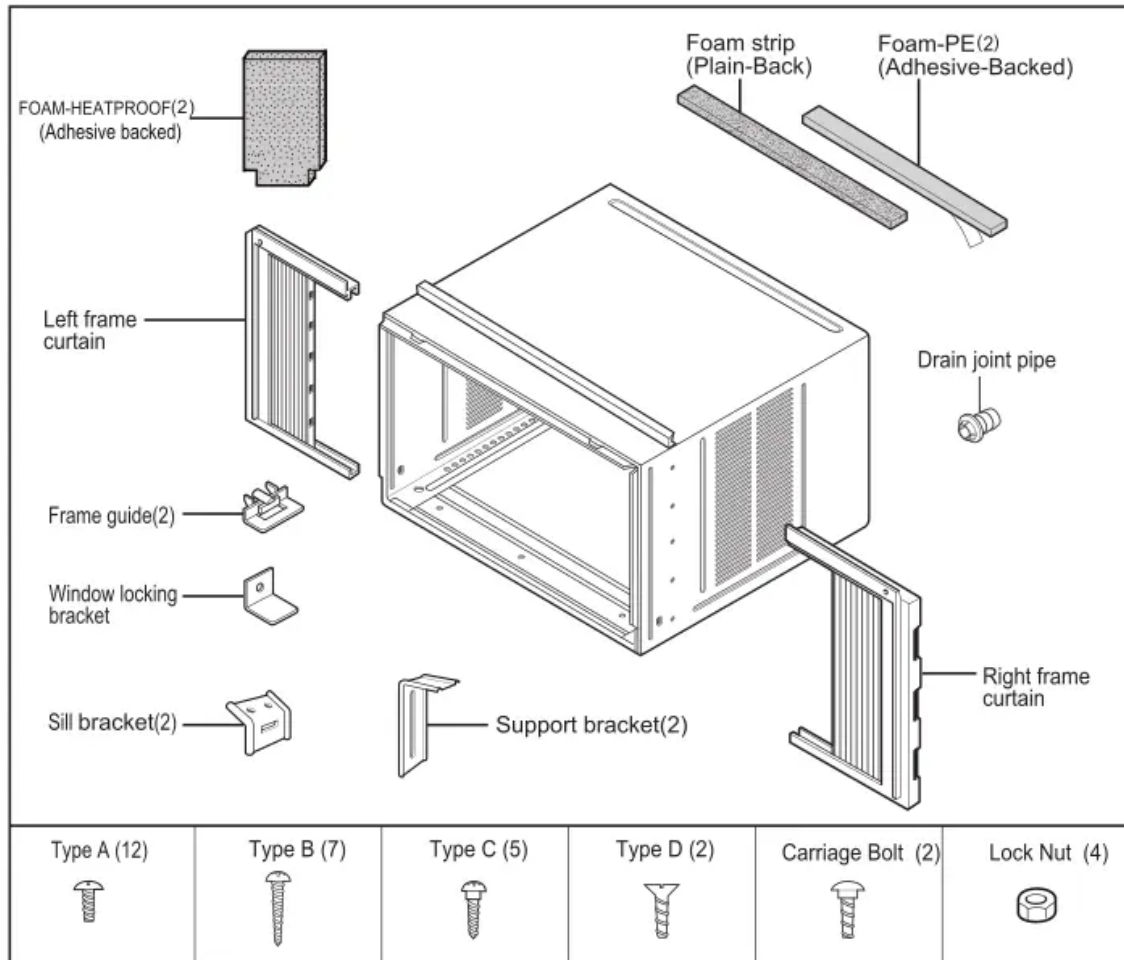
Features

WARNING

This appliance should be installed in accordance with the National Electric Code.



Installation

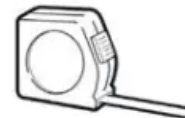


Have the following tools available for installation:

* Phillips head screwdriver



* Ruler



* Scissors or knife



* Level



* Pencil



* Flat - blade screwdriver



* Adjustable Wrench

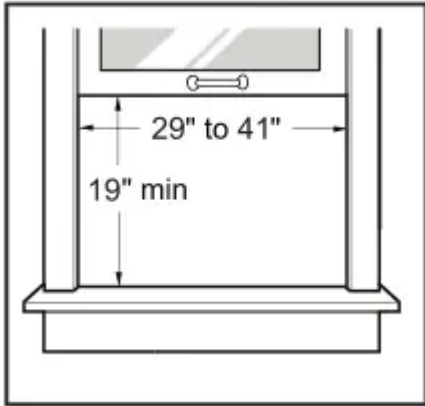


Window Requirements

All supporting parts should be secured to firm wood, masonry, or metal.

1. This unit is designed for installation in standard double hung windows with actual opening widths from 29" to 41".

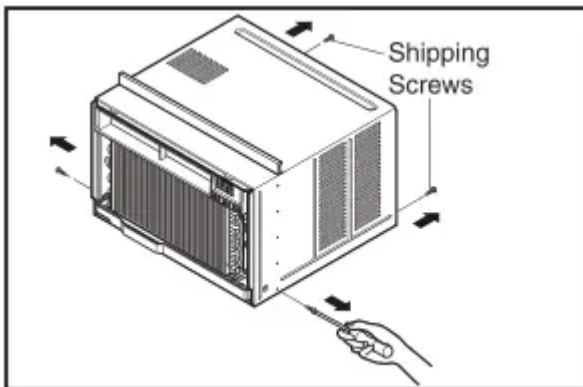
The top and bottom window sashes must open sufficiently to allow a clear vertical opening of 19" from the bottom of the upper sash to the window stool.



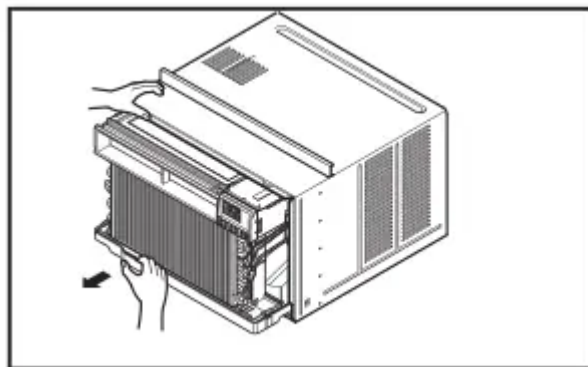
2. The stool offset (height between the stool and sill) must be less than 1 1/4"

Preparation Of Chassis

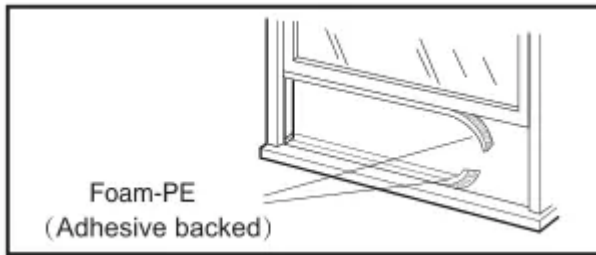
1. Remove 4 screws which fasten the cabinet at both sides and at the back. (Keep the screws for later use.)



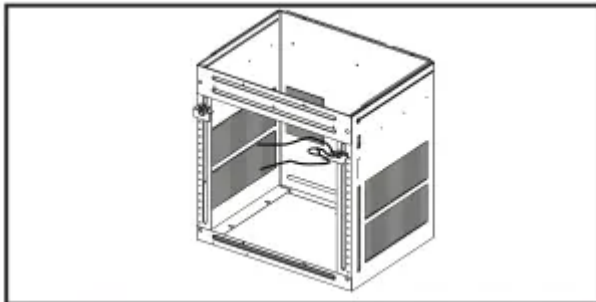
2. Slide the unit from the cabinet by gripping the base pan handle and pulling forward while bracing the cabinet.



3. Cut the window sash seals to the proper length Peel off the backing and attach the Foam-PE (Adhesive backed) to the underside of the window sash and bottom of window frame.

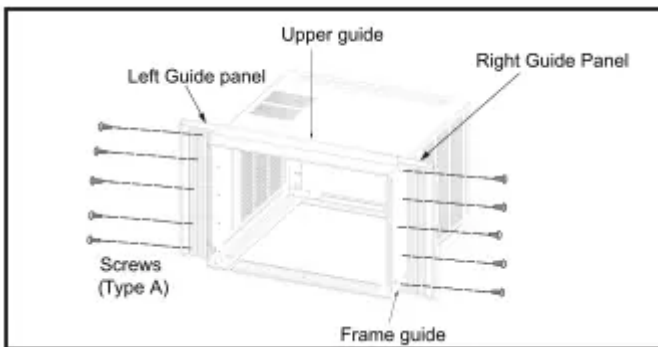


4. Insert the frame guides into the bottom of the cabinet.



5. Insert the frame curtain into the upper guide and frame guides.

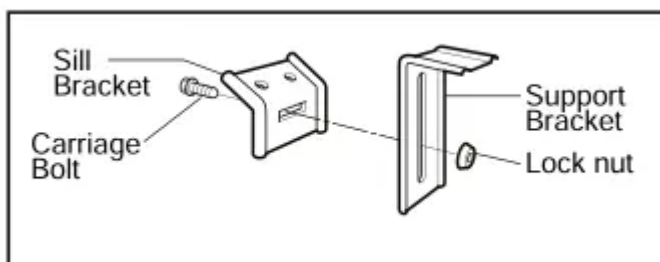
6. Fasten the curtains to the unit with 10 Type A screws.



Cabinet Installation

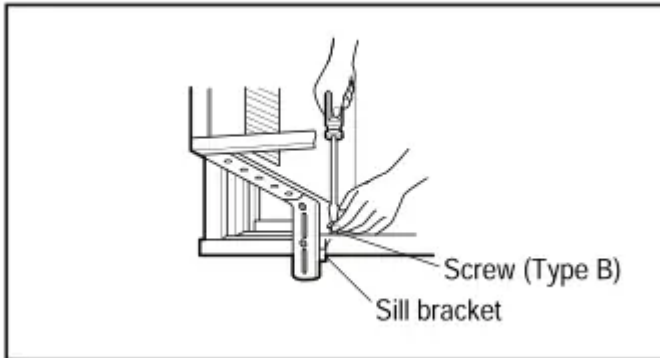
1. Open the window. Mark a line on the center of the window stool

Loosely attach the sill bracket to the support bracket using the carriage bolt and the lock nut.



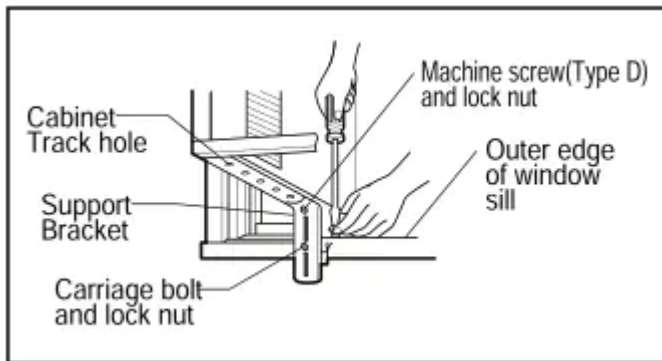
2. Attach the sill bracket to the window sill using the screws (Type B).

Carefully place the cabinet on the window stool and align the center mark on the bottom front with the center hole marked window stool.

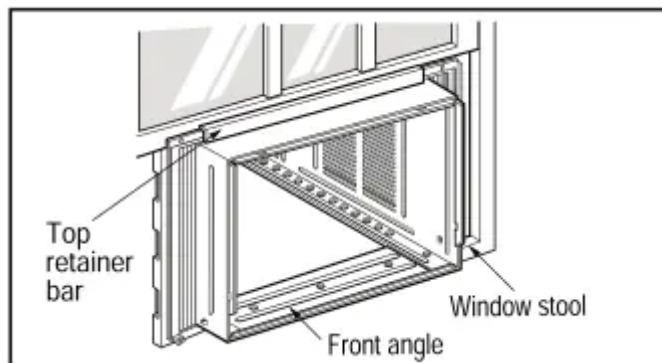


3. Using the screw (Type D) and the lock nut, attach the support bracket to the cabinet track hole. Use the first track hole after the sill bracket on the outer edge of the window sill.

Tighten the carriage bolt and the lock nut. Be sure the cabinet slants outward.



4. Pull the bottom window sash down behind the top retainer bar until they meet.

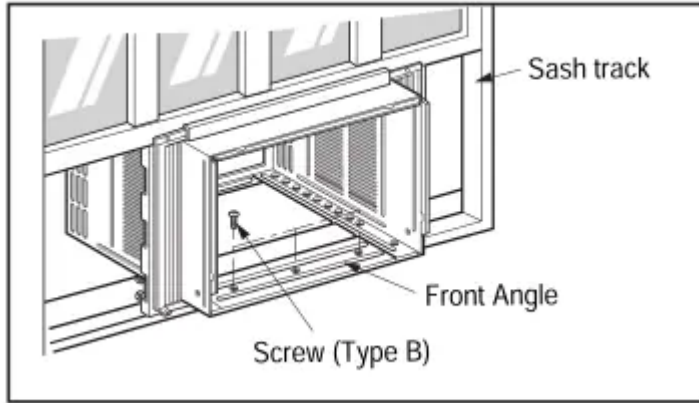


CAUTION

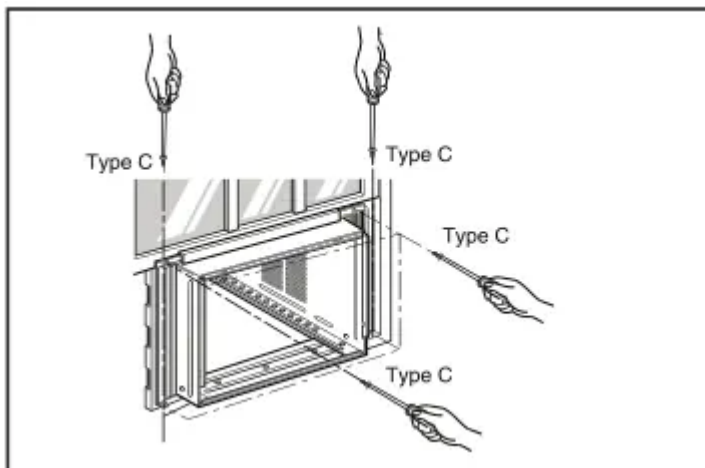
Do not drill a hole in the bottom pan. The unit is designed to operate with approximately 1/2" of water in bottom pan.

NOTICE

1. Do not pull the window sash down so tightly that the movement of frame curtain is restricted. Attach the cabinet to the window stool by driving the screws (Type B) through the cabinet into window stool.
2. The cabinet should be installed with a very slight tit downward toward the outside.



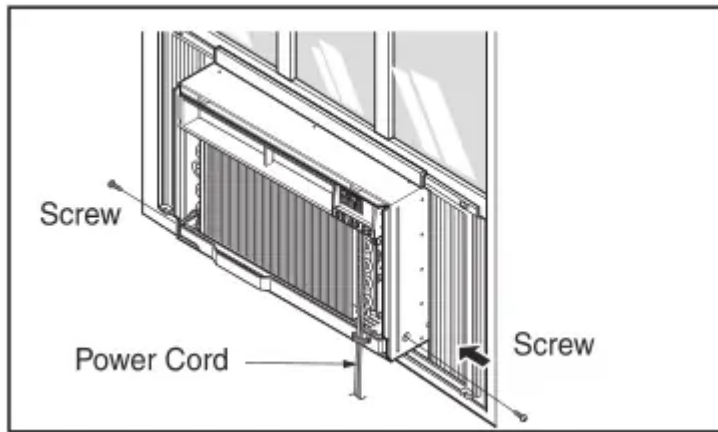
3. Pull each frame curtain fully to each window sash track. and pull the bottom window sash down behind the top retainer bar until it meets.
4. Attach each frame curtain to the window sash by using screws (Type C) .



5. Slide the unit into the cabinet.

CAUTION

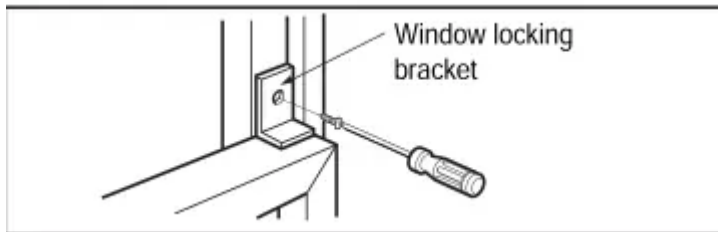
For security purpose. reinstall screws (removed from cabinet) at cabinets sides.
See page 12.



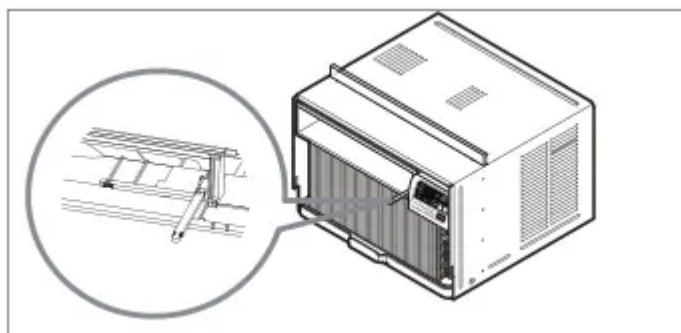
6. Cut the foam-strip (not adhesive backed) to the proper length and insert between the upper window sash and the lower window sash.



7. Attach the window locking bracket with a screw (Type C)

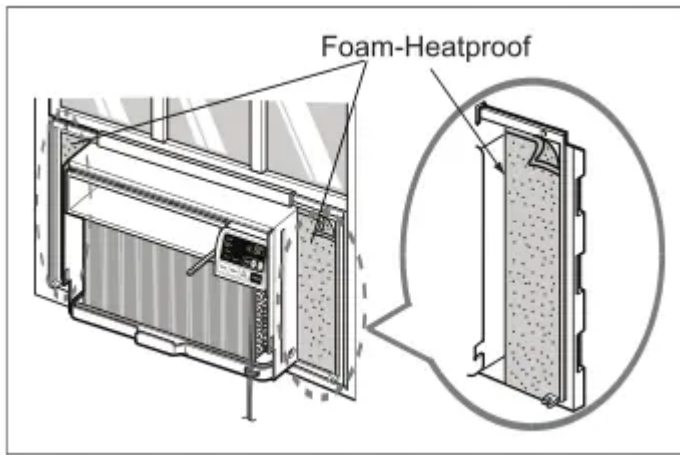


8. Before installing the front grille pull out the vent control lever located above the unit control knobs. as shown



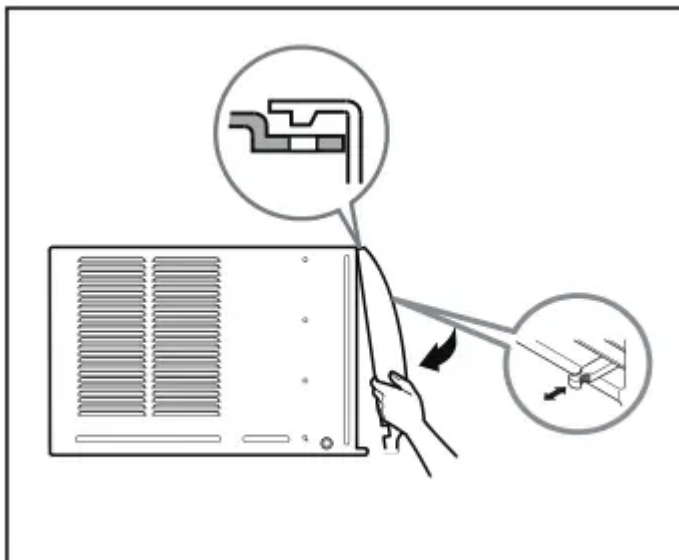
9. Cut the adhesive-backed Foam Heatproofs to the Guide Panel size. Remove the backing from the Foam-Heatproofs and attach the Foam-Heatproofs to Guide Panel.

Foam-Heatproof improves the cooling capability of the unit.



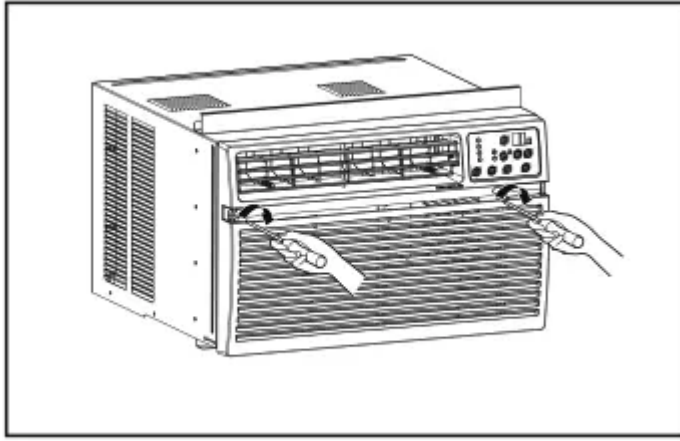
10. Attach the front grille to the cabinet by inserting the tabs the grille into the slots on the front the cabinet. Push the grille in until it snaps into place.

Guide the lever carefully through the grille as you push it in.



11. Put down inlet grille and take out the filter and secure it with 2 Type A screws through the front grille.

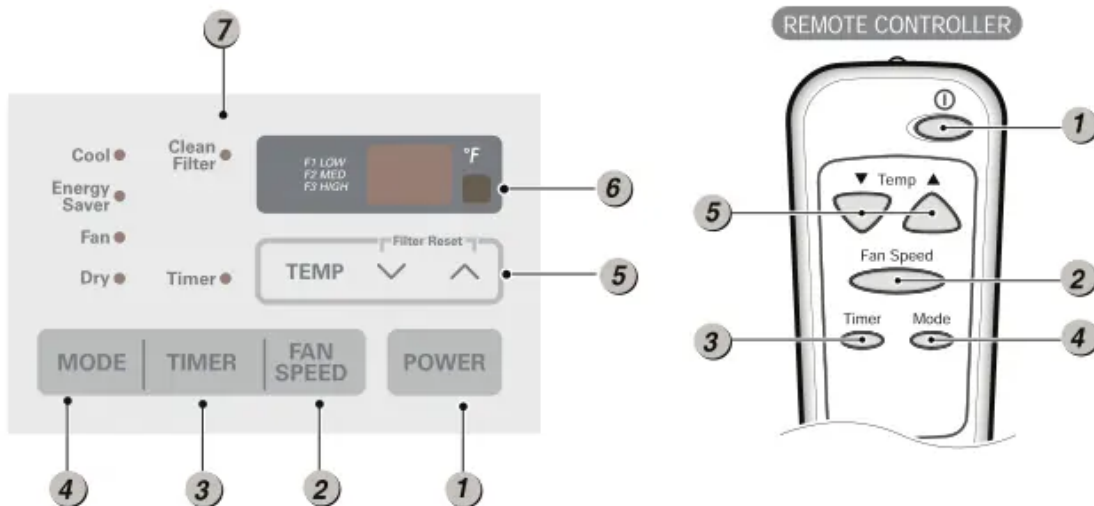
These 2 Type A screws are packaged by bag.



Window installation of room air conditioner is now completed. See ELECTRICAL DATA for attaching power cord to electrical outlet.

Operating Instructions

Remote Control Operations



1) POWER

Operation starts when this button is pressed and stops when you press the button again.

2) FAN SPEED SELECTOR

Use to set the fan speed to Low (F1). MED (F2). High (F3).

3) ON/OFF TIMER

Delay ON - when the air conditioner is off. it can be set to automatically turn on from 1 to 24 hours at its previous mode and fan settings.

Delay OFF - when the air conditioner is on. it can be set to automatically turn off from 1 to 24 hours.

4) OPERATION MODE SELECTOR

+ Push the MODE button to rotate between Energy Saver / Cool / Fan / Dry.

Energy Saver - The fan stops when the compressor stops cooling.

Approximately every 3 minutes the fan will turn on and check the room air temperature if cooling is needed.

Cool - Compressor runs and cools the room. Use the A/V and FAN buttons to set the desired temperature and circulation fan speed.

Fan - Fan circulates air but compressor does not run. Use the FAN button to set the desired fan speed.

Dry - Dry mode is used to remove humidity from the room without additional cooling. Once the set temperature is reached, the compressor and circulation fan turns off. Fan speed is pre-set and cannot be adjusted.

5) TEMPERATURE CONTROL

The thermostat monitors room temperature to maintain the desired temperature.

The thermostat can be set between 60°F ~86°F (16°C~30°C).

6) REMOTE CONTROL SENSOR

7) CLEAN FILTER

Clean Filter' LED will light up to notify you that your filter needs to be cleaned.

After cleaning the filter, press "Temp AV" together to turn off Clean Filter' light. (Filter reset must be done from unit control panel not remote control).

NOTICE

This feature is reminder to clean the Air Filter (See Maintenance) for more efficient operation.

The LED (light) will illuminate after 250 hours of operation.

AUTO RESTART

During operation in failure of electric power, the unit runs as previous setting operation.)

The unit defaults to Energy Saver mode each time the unit is switched on except] restoration after an electrical power outage and fan mode.

CAUTION

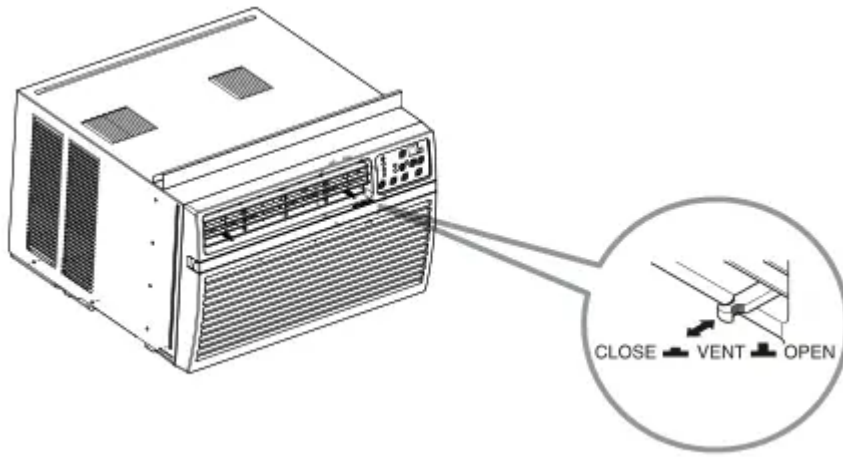
The remote controller will not function properly if strong light strikes the sensor of the air conditioner or if there are obstacles between the remote controller and the air conditioner.

Ventilation

The ventilation lever must be in the CLOSE position in order to maintain the best cooling conditions.

When fresh air is necessary in the room, set the ventilation lever to the OPEN position.

The damper is opened and room air is drawn out.

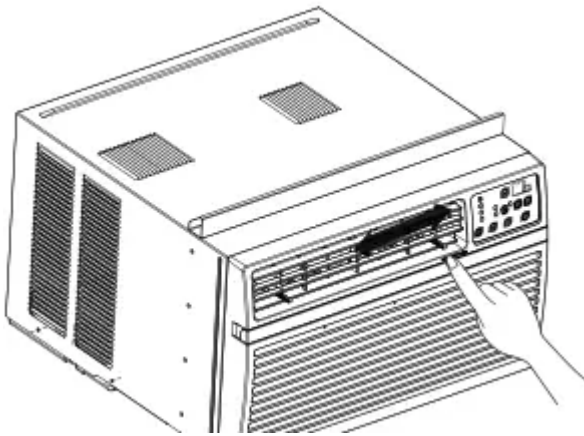


Air Direction

Airflow can be adjusted by changing the direction of the air conditioner's louvers.

Adjusting Horizontal Air Flow Direction

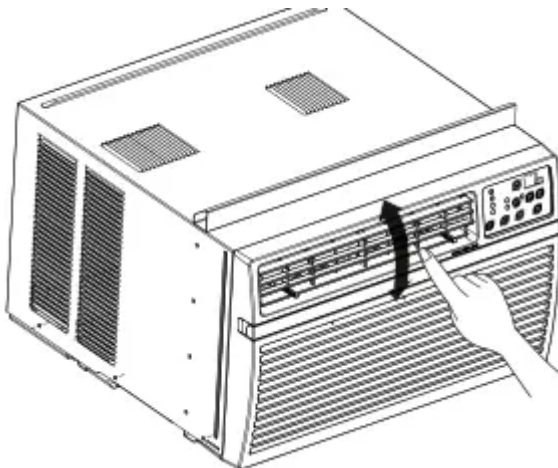
The horizontal direction is adjusted by moving the lever to the left or right.



Adjusting horizontal air flow direction

Adjusting Vertical Air Flow Direction

Touch the horizontal louvers to adjust the air airflow up or down.



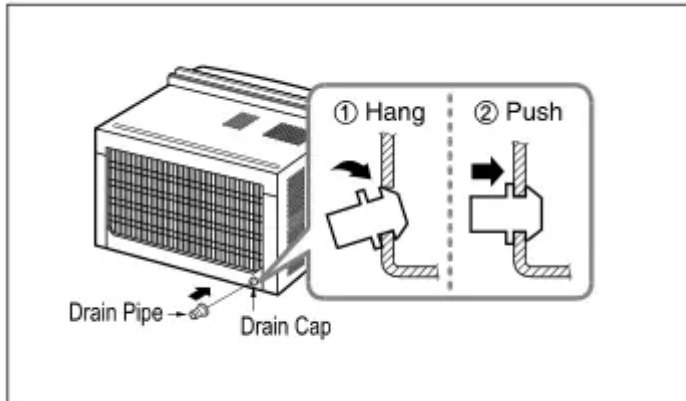
Adjusting vertical air flow direction

When the unit operates in extremely hot weather, it turns off automatically to protect compressor.

Additional Features

Drain Pipe

In humid weather, excess water may cause the base pan to overflow. To drain the water, remove the drain cap and secure the drain pipe to the rear hole of the base pan.

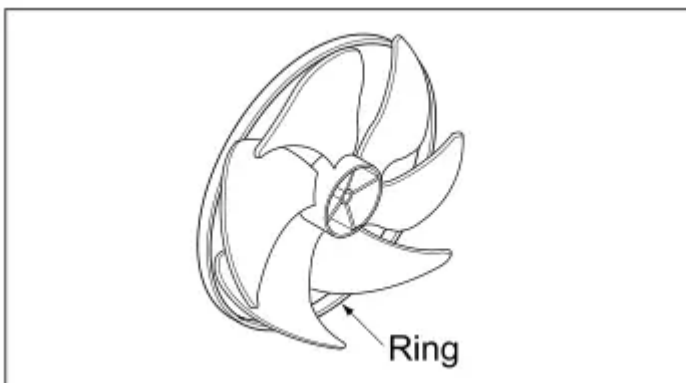


Press the drain pipe into the hole by pushing down and away from the fins to avoid injury.

Slinger Fan

This air conditioner is equipped with a slinger fan. (See drawing, below.)

The fan has an outer ring that runs in the water that collects in the base pan if it gets deep. That condensate is then picked up by the fan and expelled through the condenser, making the air conditioner more efficient.

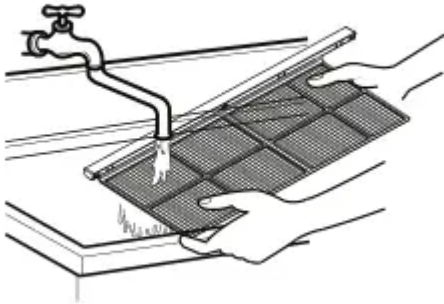
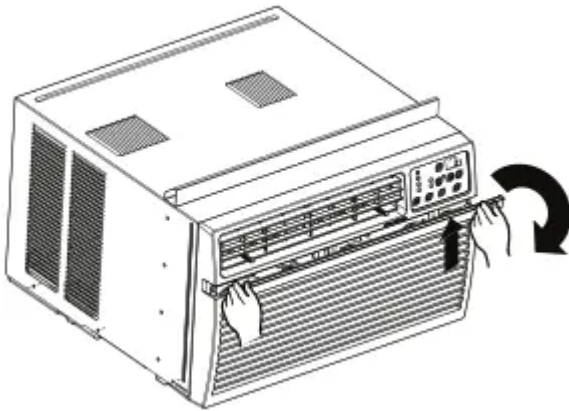


CAUTION: Be careful when inserting the drain pipe. Push away from the sharp fin area to avoid slipping injuring yourself.

Maintenance and Service

Air Filter

Check the air filter at least twice a month to see if cleaning is necessary. Trapped particles in the filter can build up and block the airflow, reducing cooling capacity and causing an accumulation of frost on the evaporator. To clean the air filter:

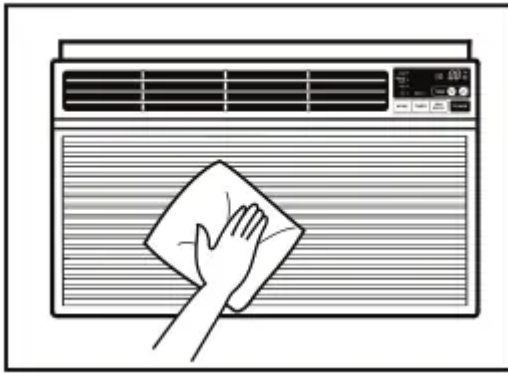


1. Remove the air filter from the front grille by pulling forward the air filter and then up slightly.
2. Wash the filter using lukewarm water below 40°C (104 °F).
3. Gently shake the excess water from the filter and replace.

Cleaning The Air Conditioner

The front grille and inlet grille may be wiped with a cloth dampened in a mild detergent solution.

The cabinet may be washed with mild soap or detergent and lukewarm water, then polished with liquid wax for Appliances.



To ensure continued peak efficiency, the condenser coils (outside of unit) should be checked periodically and cleaned if clogged with soot or dirt from the atmosphere.

Common Problems and Solutions

Air conditioner does not operate

1. Ensure that the air conditioner is plugged into an outlet of the proper voltage and amperage.
2. Check the fuse or circuit breaker.
3. Check whether the voltage is unusually high or low.

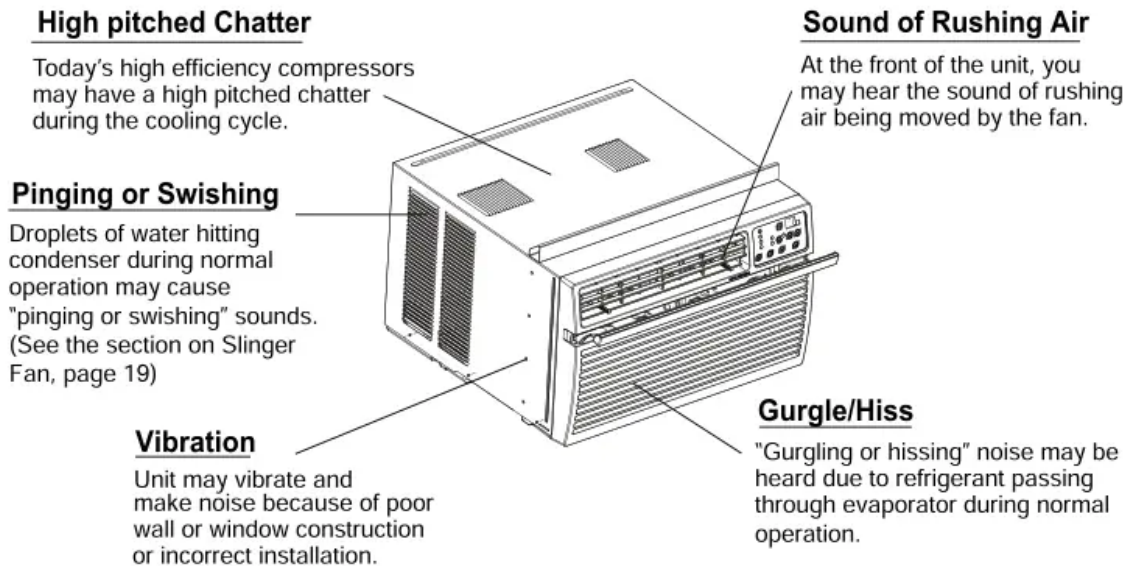
Air does not feel cold enough on the cooling setting

1. Ensure that the temperature settings are correct.
2. Check to see if the air filter is clogged with dust. If so, clean the filter.
3. Ensure that the air flow from the outside is not obstructed and that there is a clearance of over 20" between the back of the air conditioner and the wall or fence behind it.
4. Close all doors and windows and check for any source of heat in the room.

Water drip from the rear of the unit

You see water dripping from the rear of the unit. Water may be collected in the base pan in highly humid conditions or on rainy days. This water overflows and drips from the rear of the unit.

Normal Sound



Troubleshooting

The air conditioner may be operating abnormally when:

Air conditioner does not start

The air conditioner is unplugged: Make sure the air conditioner plug is pushed completely into the outlet.

The fuse is blown/circuit breaker is tripped: Check the house fuse/circuit breaker box and replace the fuse or reset the breaker.

Power failure: If power failure occurs, turn the mode control to Off. When power is restored, wait 3 minutes to restart the air conditioner to prevent tripping of the compressor overload.

The current interrupter device is tripped: Press the RESET button located on the power cord plug. The RESET button will not stay engaged. Discontinue use of the air conditioner and contact a qualified service technician.

Air conditioner does not cool as it should

- Airflow is restricted: Make sure there are no curtains, blinds, or furniture blocking the front of the air conditioner.
- The temp control may not be set correctly: In COOL model, press the DECREASE" pad.
- The air filter is dirty: Clean the filter at least every 2 weeks.
- The room may have been" hot: See the care and Maintenance section.
- Cold air is escaping: When the air conditioner is first turned on, you need to allow time for the room to cool down.
- Cooling coil have iced up: See Air Conditioner Freezing Up below.

Air conditioner freezing up

The cooling coils are iced over: Ice may block the air flow and obstruct the air conditioner from properly cooling the room

Set the mode control at High Fan or High Cool

Water drips outside

Hot, humid weather: This is normal.

Water drips indoors

The air conditioner is not tilted to the outside: For proper water disposal, make sure the air conditioner slants slightly from the case front to the rear. Water collects in base pan

Warning

This content is compiled from multiple sources and is provided for reference purposes only. It may not be complete or fully applicable to all situations. If you are unable to resolve your issue, please contact the product manufacturer or an authorized service provider for official support.