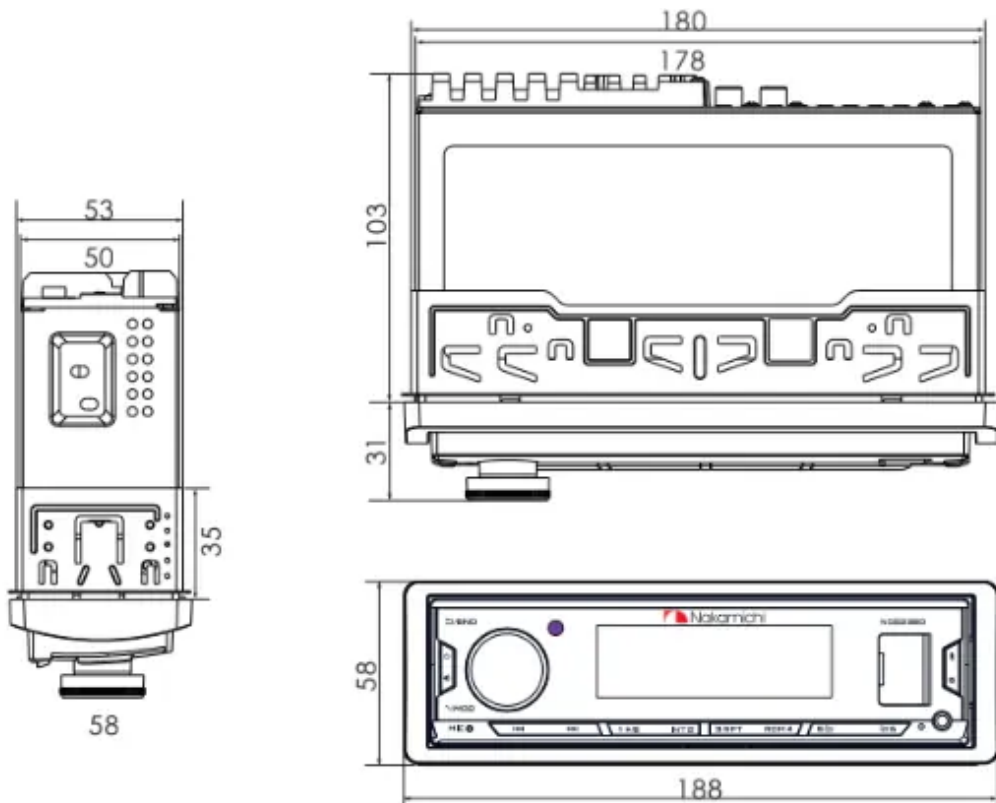


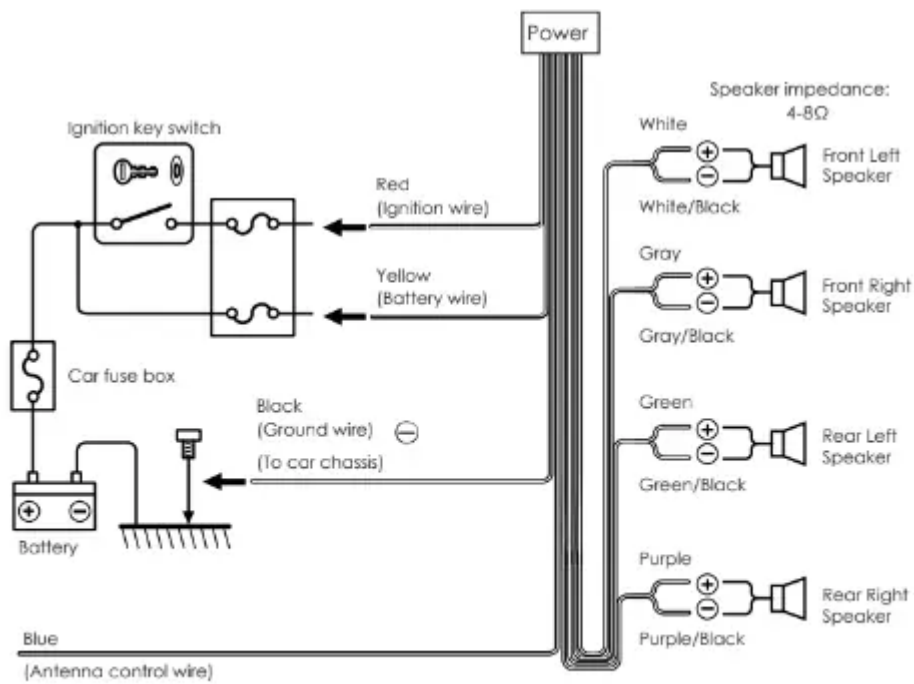
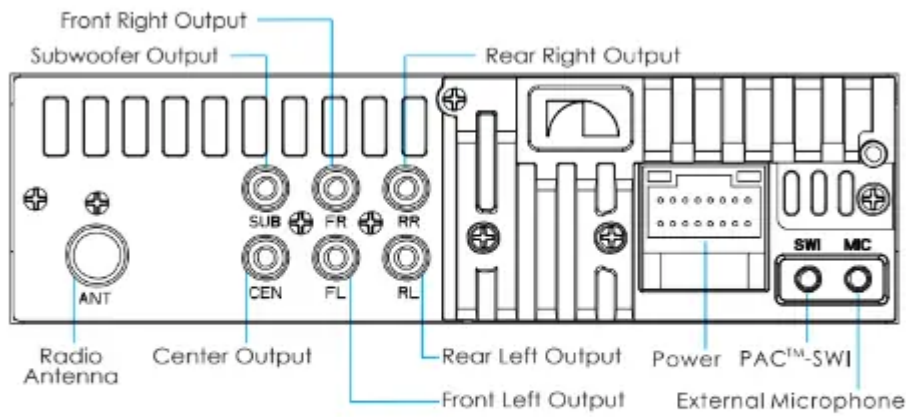
ACCESSORY LIST

<p>16P cable x1</p> 	<p>Remote x1</p> 	<p>Frame x1</p>  <p>Install on the host</p>
<p>Half sleeve x1</p>  <p>Install on the host</p>	<p>Disassemble keys x2</p> 	<p>User Manual x1</p> 

DIMENSION(UNIT:MM)

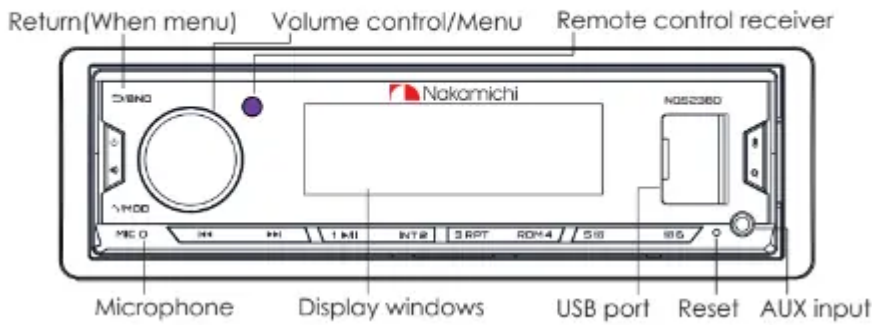


WIRING DIAGRAM



BASIC FUNCTIONS OF PANEL KEYS

To	Radio status	USB/TF/BT MUSIC Status
⏪ ⏩	Seek a station manually	Previous/Next track
1 ▶/	Preset 1	Playback/Pause
INT 2	Preset 2	Intro Playback
3 RPT	Preset 3	Repeat Playback
RDM 4	Preset 4	Random Playback
5 6 6	Preset 5/Preset 6	Previous/Next folder
↶/BND	Band select	
⏻ 🔊	Press to mute, Press and hold to power off	
🗣️ 🔍	Press to turn on voice, Press an hold to auto memory	
↶/MOD	Press to select a source/Answer call Press an hold to last call	



REMOTE OPERATION



Basic Operation

To	Operation (panel)
Power on	Press any button
Power off	Press and hold
Mute	Press
Volume up and down	Turn the knob
Source select	Press
Menu	Press the knob
Return	Press (in menu status)
Turn on voice	Press (Bluetooth is connected)

BLUETOOTH OPERATION

The first time pair mobile phone with receiver, please follow below steps:

1. When there is no pairing, in any mode, the BT1 on the LCD will flash, and the pairing can be performed at this time.
2. Turn on the phone's Bluetooth to Search NQ523BD.
3. Click on the NQ523BD on the phone to connect. After the connection is successful, the BT1 will stop flashing.
4. When pairing is complete, the mobile phone audio will automatically transfer to the car audio system whenever a call is made or received, or when the mobile phone plays music.

Note:

For more details of bluetooth pairing, please refer to the owner's manual for your mobile phone.

AUX INPUT

1. Connect a portable audio player (commercially available). Auxiliary input jack

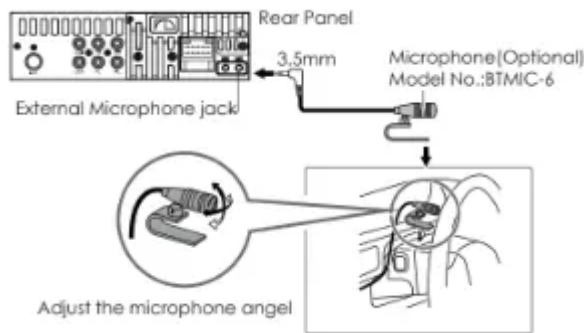


3.5 mm stereo mini plug with “L”shaped connector. (commercially available).

2. Press[]buttons to select AUX IN.

3. Turn on the portable audio player and start playback.

EXTERNAL MICROPHONE



AUDIO SETTINGS

1. Press the knob to enter the [MENU].

2. Turn the knob to select [AUDIO],then press the knob.

Audio Settings List

Menu	Adjustment
SW LEVEL	SVOL -8 ~ +8
PRESET EQ	USER/NATURAL/POP/CLASSIC/ROCK/JAZZ/FLAT/SUPER BASS 30Hz/60Hz/80Hz/100Hz/120Hz/160Hz/250Hz/400Hz/600Hz/800Hz/1KHz/1.5KHz/2KHz/2.5KHz/3KHz/3.5K/4K/4.5K/5K/5.5K/6K/6.5K/7K/7.5K/8K/8.5K/9K/9.5K/10K/11K/12K/13K/14K/15K/15.5K/16K/17K/18K/19K/20K
XBASS	FREQ OFF/60Hz/80Hz/120Hz/160Hz/200Hz/300Hz
	GAIN 0-10
SURROUND	OFF/ON (3D SURROUND)
DRC	GAIN 0-5
	SLOPE 0/6dB/12dB/18dB/24dB
LOUD	OFF/ON
BASS	BASS -7 ~ +7
TREBLE	TREBLE -7 ~ +7
BALAN	BALAN L7-10.0,R1-R7
FADER	FADER R7-R0.0,F1-F7
AUDIO RESET	NO/YES

TIME ALIGNMENT(DISTANCE)

1. Press the knob to enter the [MENU].

2. Turn the knob to select [DTA SET],then press the knob.

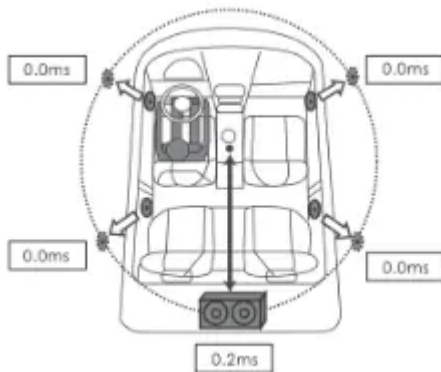
3. Turn the knob to select [DISTANCE],then press the knob.

4. Turn the knob to select[F LEFT/F RIGHT/R LEFT/R RIGHT/SUBWOOFER] to adjustment.

Determining the value for<Position> adjustment.

1. Determine the center of the currently set listening position as the reference point.
2. The adjustable speaker has five directions: front left, front right, back left, back right, and back.
3. The time for the speakers in the five directions to reach the center is the same by default.
4. Set the value for each speaker, the delay range: 0-20ms
5. Adjust the increase or decrease of each speaker, 0.2ms each time.

Example: When <back> is selected as the listening position



CLOCK AND DATE SETTINGS

1. Press the knob to enter the [MENU].
2. Turn the knob to select [CLOCK],then press the knob.

Clock Format Settings

1. Turn the knob to select [CLK FRMT],then press the knob.
2. Turn the knob to select [12H/24H].

Clock Adjust

1. Turn the knob to select [CLK ADJ],then press the knob.
2. Turn the knob to adjustment.
3. Press the knob to switch the clock/minute adjustment.

Date Format Settings

1. Turn the knob to select [DATE FORMAT],then press the knob.
2. Turn the knob to select [DD-MM-YY/MM-DD-YY].

Date Settings

1. Turn the knob to select [DATE SET],then press the knob.
2. Turn the knob to adjustment.
3. Press the knob to switch day/month/year adjustment.

DISPLAY SETTINGS

Display Settings List

1. Press the knob to enter the [MENU].
2. Turn the knob to select [DISPLAY],then press the knob.

Key Light Select

1. Turn the knob to select [COLOR SEL],then press the knob.
2. Turn the knob to select key light color:AUTO/RED/GREEN BLUE/YELLOW/CYAN/PURPLE/WHITE(Knob Select).

Spectrum ON/OFF

1. Turn the knob to select [SPECTRUM],then press the knob.
2. Turn the knob to select [OFF/ON].

ID3 ON/OFF

1. Turn the knob to select [ID3 TAG],then press the knob.
2. Turn the knob to select [OFF/ON].

System Version

Turn the knob to select [VERSION],then press the button to query the system version information.

TROUBLE SHOOTING

Not work

- Fuse blown - Replace the fuse: small 10A(Red)
- Loose panel contact - Take out the panel and reinstall

Not responding

- System problem - Reset the unit

No bass

- Subwoofer setting level is too small - Enter AUDIO to set SVOL

Can't turn on voice

- Bluetooth is not connected - Connect Bluetooth
- Phone does not support voice - N.A

Not playing

- Incorrect device format - Reformat
- Device error - Replace supported audio files
- Unsupported audio file - Replacement device

Radio reception is poor

- Poor contact of radio antenna - Reconnect the radio antenna
- Poor signal at location - Change to other positions

Remote control is invalid

- Remote control battery is low - Replace CR2025 battery

Bluetooth call is poor

- Microphone is too far away - Speak into the microphone

Warning

This content is compiled from multiple sources and is provided for reference purposes only. It may not be complete or fully applicable to all situations. If you are unable to resolve your issue, please contact the product manufacturer or an authorized service provider for official support.