

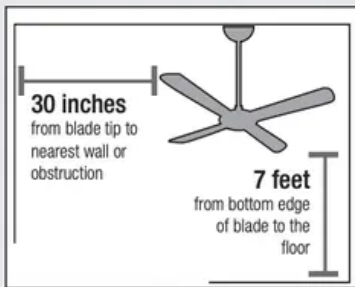
Installation Manual for Hunter 59628



Choosing the Right Installation Location

You probably bought this fan with a location in mind. Let's check below to make sure it is a good fit.

Check the room dimensions:

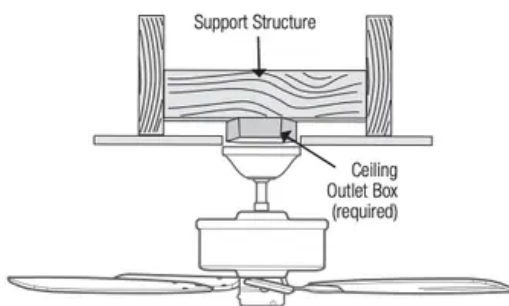


Check the outlet box:



Checking the Ceiling Angle:

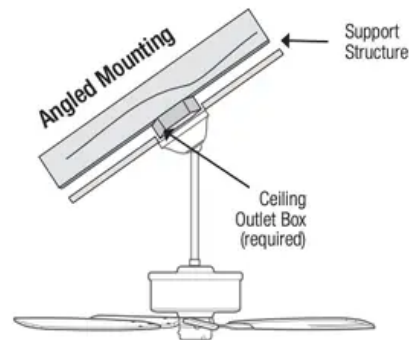
Standard Mounting



If you have a flat ceiling:

Hang your fan by a standard downrod. Some fans come with a shorter downrod for a Low Profile installation.

Angled Mounting



If you have an angled or vaulted ceiling:

1. You will need a longer downrod. (sold separately at HunterFan.com)
2. If your ceiling angle is greater than 34°, you will also need an Angled Mounting Kit. (Sold separately at HunterFan.com)

Angled Mounting

A little more information on Angled Mounting:

For optimum performance and appearance, a longer downrod should be used with your Hunter ceiling fan when installing on high or angled ceiling. If your ceiling is angled greater than 34° you will also need an Angled Mounting Kit. Longer downrods and the Angled Mounting Kit are sold separately at HunterFan.com.

Hunter Pro Tip:

Determining if you need an Angled Mounting Kit:

Fold on the dotted line. Place against edge against the wall. Slide towards the ceiling.

If the guide touches the wall but not the ceiling, you need an angled mounting kit.



WALL

34°

CEILING



3

Installing the Ceiling Bracket

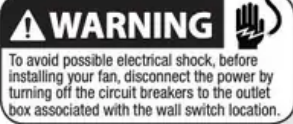
You have two options for installation. Pick which one works best for your location. Remove any existing bracket prior to installation. Only use the provided Hunter ceiling bracket that came in your fan's box.

Hunter Pro Tip:

The machine screws are the ones that came with your outlet box.



Do this first!



To avoid possible electrical shock, before installing your fan, disconnect the power by turning off the circuit breakers to the outlet box associated with the wall switch location.

Option 1: Machine Screws

Use machine screws (provided with outlet box) and washers when securing to existing ceiling fan-rated outlet box. Make sure it is securely installed and is acceptable for fan support of 31.8 kg (70 lbs) or less.

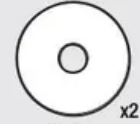
ANGLED MOUNTING TIP

For angled ceilings, point opening toward peak.



Option 2: Wood Screws

Use wood screws and washers (included) when securing to support structure with approved electrical outlet box. Drill 9/64" pilot holes in support structure to aid in securing ceiling bracket with hardware found in the ★ hardware bag.

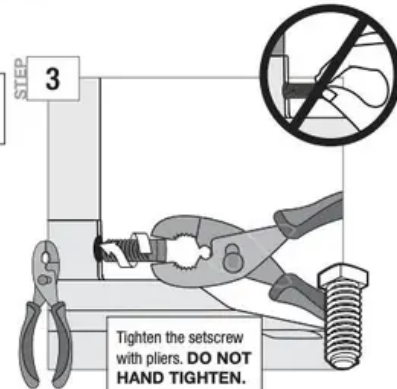
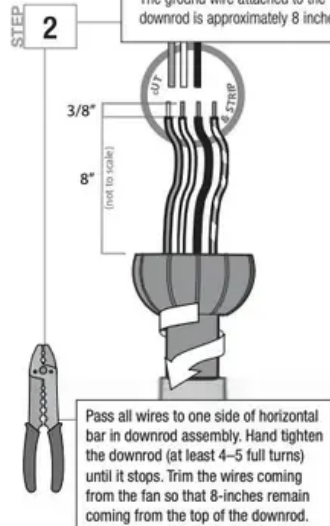
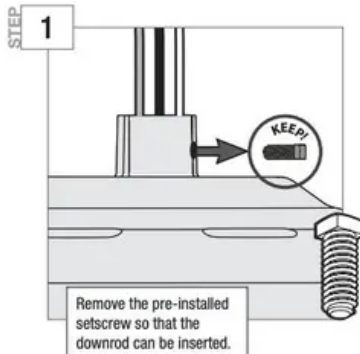


Installing the Downrod

Follow below if you are using the downrod that came pre-assembled in your box. Need to install a longer or shorter downrod? Check out the guide at the end of this manual.

Hunter Pro Tip:

The ground wire attached to the downrod is approximately 8 inches.



WARNING

FAN FALL HAZARD

To prevent SERIOUS INJURY or DEATH:

- ALWAYS tighten setscrew with pliers.
- DO NOT hand tighten setscrew.
- CHECK the setscrew is tight using pliers each time you change fan direction.

Ceiling Bracket

Downrod

Hanging Fan

Wiring

Canopy

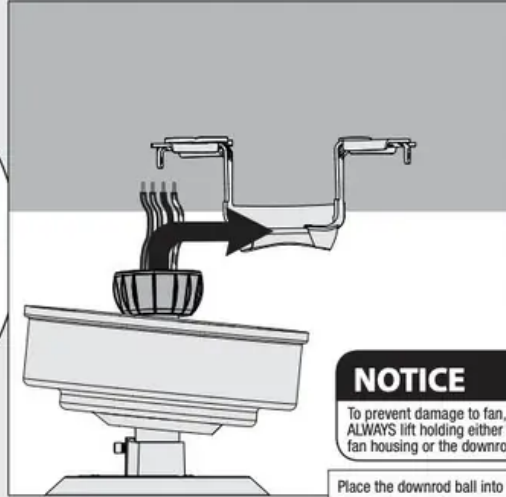
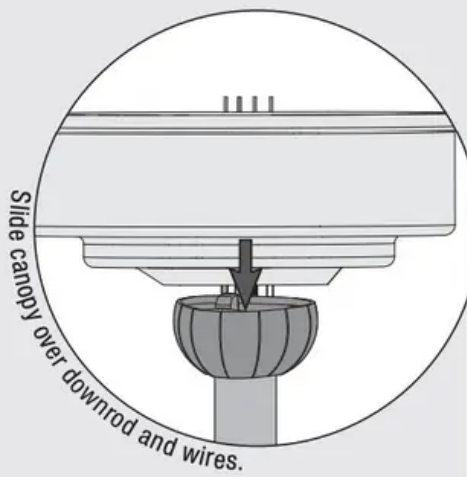
Blades

Light

Control

4

Hanging the Fan



Progress Check:
Your fan should look like this.



5

Ceiling Bracket Downrod Hanging Fan Wiring Canopy Blades Light Control



Wiring the Fan

We know wiring is hard. Let's make it easier.

Follow these steps to get your fan wired quickly and safely. Follow the route below that best matches your wall switch setup. If you are unfamiliar with wiring or uncomfortable doing it yourself, please contact a qualified electrician.

You are going to need these:

4 Wire Nuts (these are in the ★ bag)

Hunter Pro Tip:

Here is how to connect the wires:

Push the bare metal ends of the wires together and slide a wire nut over them. Then, twist the wire nut clockwise until tight. Give it a gentle pull to make sure none of the wires are loose.



Have a single switch?
Follow these steps:

Connect the white (grounded) wire from the ceiling to the white wire from the fan.

Connect the black (ungrounded) wire from the ceiling to the black wire from the fan.

Cap the blue wire from the fan. You will not need it for single switch wiring.

Connect the three grounding wires (green, green/yellow stripe, or bare copper) coming from the ceiling, downrod, and hanging bracket.

⚠ WARNING

All wiring must be in accordance with national and local electrical codes ANSI/NFPA 70. If you are unfamiliar with wiring or in doubt, consult a qualified electrician.

⚠ WARNING

The ceiling fan must be grounded. If the ground wire for the installation site is not present, immediately **STOP** installation and consult a qualified electrician.

Hunter Pro Tip:

Have extra wiring?

Turn the wires upward and push them carefully back through the hanger bracket into the outlet box. Make sure that the wires are still attached to the wire nuts.

Have dual switches?
Follow these steps:

Connect the white (grounded) wire from the ceiling to the white wire from the fan.

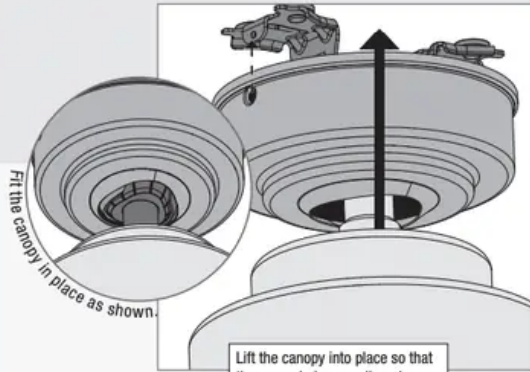
Connect the black (ungrounded) wire from the ceiling to the black wire from the fan.

Connect the second ungrounded (light) wire from the ceiling to the blue wire from the fan.

Connect the three grounding wires (green, green/yellow stripe, or bare copper) coming from the ceiling, downrod, and hanging bracket.



Installing the Canopy



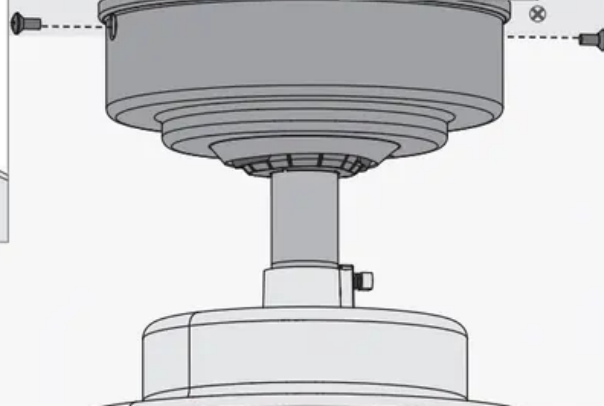
Lift the canopy into place so that the screw holes are aligned.



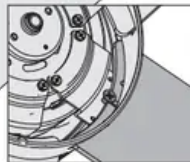
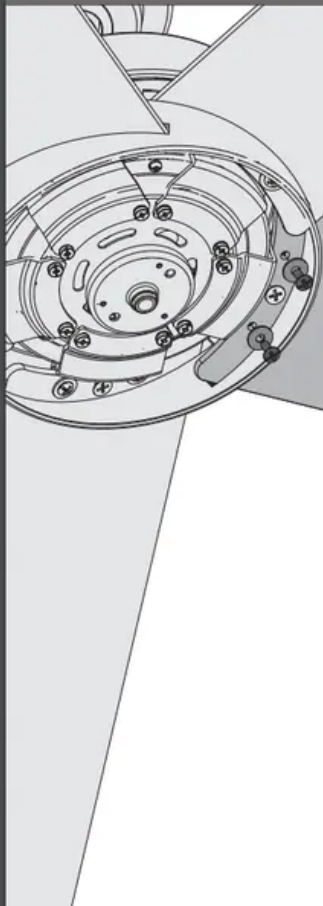
Hunter Pro Tip:

Let the tool do the work!
A magnetic screwdriver will give you more visibility when securing the canopy.

Insert the two canopy screws found in the hardware bag.



Installing the Blades:



Insert the blade into the blade slot around the center screw. Put the blade washers found in the hardware bag onto the blade screws found in the hardware bag. Then install the blade screws to secure each blade to the fan.

Repeat x6



Note:

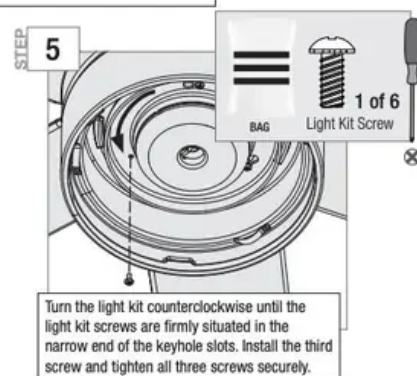
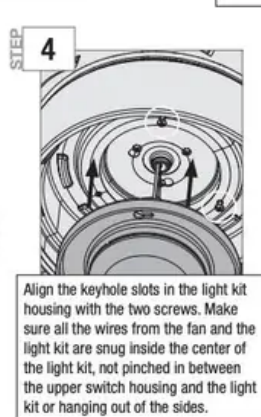
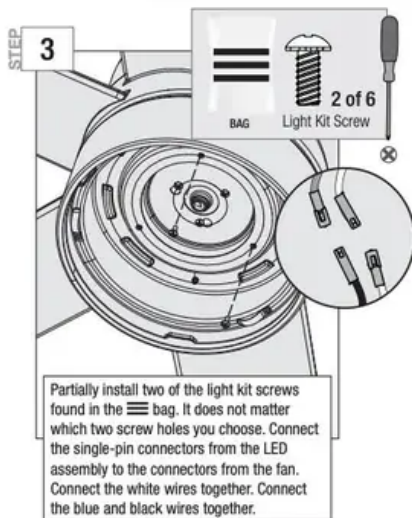
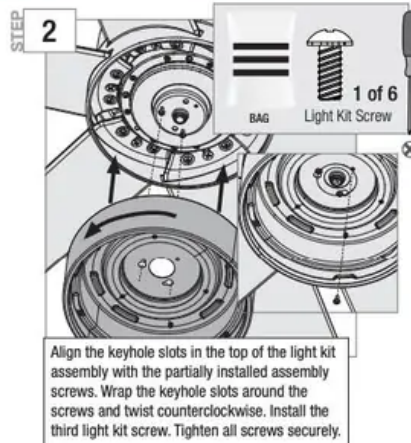
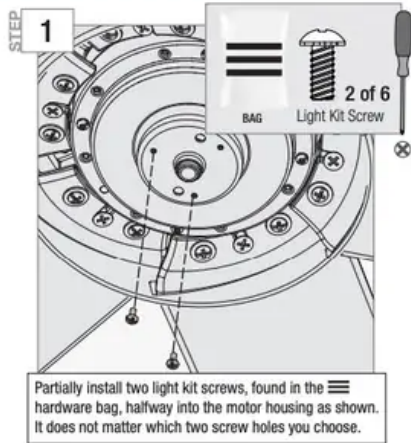
Fan style may vary.

7

Ceiling Bracket Downrod Hanging Fan Wiring Canopy Blades Light Control



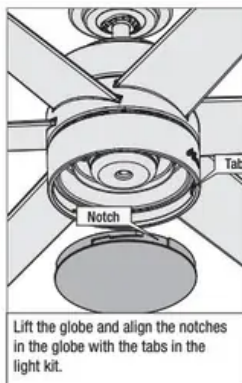
Assembling the Light Kit



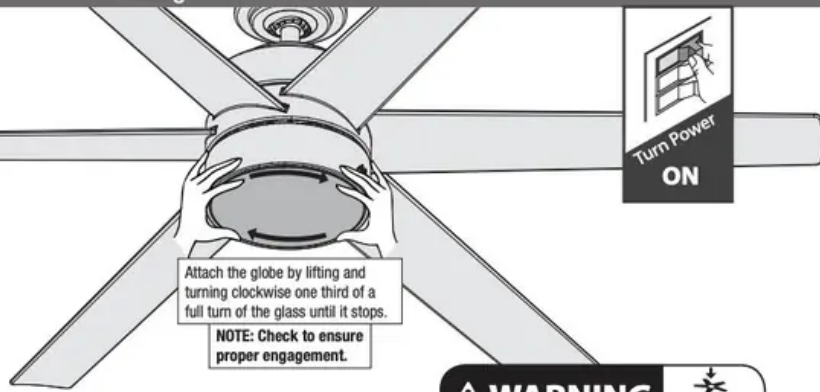
WARNING

FAN FALL HAZARD
Make sure all screws are tight to secure the light fixture.

Installing the Bulbs and Glass



Note:
Fan style may vary.



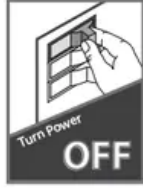
WARNING

GLASS FALL HAZARD
To prevent SERIOUS INJURY or DEATH, make sure that glass is properly secured.

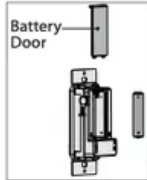
Ceiling Bracket Downrod Haloless Fan Wiroless Canopy Blades Light Control

Preparing the Wall Control

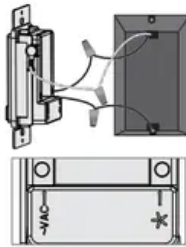
- 1** Turning off the power
Ensure the power is OFF at the outlet box and wall switch location before proceeding with installation.



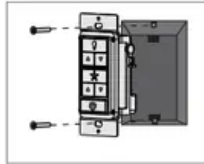
- 2** Installing the battery
To access the battery compartment, slide the battery door up.
Replace the used battery with two AAA batteries when needed.



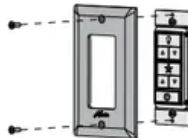
- 3** Wiring the Wall Control
Connect the grounding wire from the wall control to the ground control from the switch box using the provided wire nuts.
Connect the "LIVE IN" from the switch box to the "~VAC" from the wall control using the provided wire nuts.
Connect the "LIVE OUT" from the switch box to the "FAN" out from the wall control using the provided wire nuts.
Push all wires into the switch box.



- 4** Installing the Wall Control
Install the longer screws through the slots in the wall control into the switch box screw holes.



- 5** Installing the Wall Plate
Install the shorter screws through the wall control plate and into the screw holes in the wall control.



- 6** Turning on the power



KEY PRESS	FUNCTION
LIGHT FUNCTIONS	
	Light On/Off
	Light Dimming Control
Long Press	Light High
Long Press	Light Low
Long Press +	Dimming Mode On/Off
FAN FUNCTIONS	
	Fan On/Off
	Fan Speed Control
Long Press	Fan High
Long Press	Fan Low
Long Press	Reverse
	Power On/Off
Long Press +	Pair Function

- 7** The remote transmitter is already paired to the receiver and ready to use. If you need to pair your remote, cycle power to the fan by turning power off and back on at the wall switch (or circuit breaker if necessary). Within three minutes, do the following:



- 8** Reference the included remote function card for information on how to use your wall control!

9

Ceiling Bracket Downrod Hanging Fan Wiring Canopy Blades Light Control

Installing the Ceiling Bracket

You have two options for installation. Pick which one works best for your location. Remove any existing bracket prior to installation. Only use the provided Hunter ceiling bracket that came in your fan's box

WARNING To avoid possible electrical shock, before installing your fan, disconnect the power by turning off the circuit breakers to the outlet box associated with the wall switch location.

Option 1: Machine Screws

Use machine screws (provided with outlet box) and washers when securing to existing ceiling fan-rated outlet box. Make sure it is securely installed and is acceptable for fan support of 31.8 kg (70 lbs) or less.

Option 2: Wood Screws

Use wood screws and washers (included) when securing to support structure with approved electrical outlet box. Drill 9/64" pilot holes in support structure to aid in securing ceiling bracket with hardware found in the hardware bag.

Hunter Pro Tip: The machine screws are the ones that came with your outlet box.

Installing the Downrod

Follow below if you are using the downrod that came pre-assembled in your box. Need to install a longer or shorter downrod? Check out the guide at the end of this manual.

1. Remove the pre-installed setscrew so that the downrod can be inserted.
2. Pass all wires to one side of horizontal bar in downrod assembly. Hand tighten the downrod (at least 4–5 full turns) until it stops. Trim the wires coming from the fan so that 8-inches remain coming from the top of the downrod.
3. Tighten the setscrew with pliers. **DO NOT HAND TIGHTEN.**

WARNING FAN FALL HAZARD

To prevent **SERIOUS INJURY** or **DEATH**:

- ALWAYS tighten setscrew with pliers.
- DO NOT hand tighten setscrew.
- CHECK the setscrew is tight using pliers each time you change fan direction.

Hanging the Fan

NOTICE To prevent damage to fan, ALWAYS lift holding either the fan housing or the downrod.

Place the downrod ball into the slot in the ceiling bracket.

Progress Check: Your fan should look like this

Wiring the Fan

Have a single switch? Follow these steps:

- Connect the white (grounded) wire from the ceiling to the white wire from the fan

- Connect the black (ungrounded) wire from the ceiling to the black wire from the fan.
- Cap the blue wire from the fan. You will not need it for single switch wiring.
- Connect the three grounding wires (green, green/yellow stripe, or bare copper) coming from the ceiling, downrod, and hanging bracket.

WARNING All wiring must be in accordance with national and local electrical codes ANSI/NFPA 70. If you are unfamiliar with wiring or in doubt, consult a qualified electrician.

WARNING The ceiling fan must be grounded. If the ground wire for the installation site is not present, immediately STOP installation and consult a qualified electrician.

Have dual switches? Follow these steps:

- Connect the white (grounded) wire from the ceiling to the white wire from the fan.
- Connect the black (ungrounded) wire from the ceiling to the black wire from the fan.
- Connect the second ungrounded (light) wire from the ceiling to the blue wire from the fan.
- Connect the three grounding wires (green, green/yellow stripe, or bare copper) coming from the ceiling, downrod, and hanging bracket

Installing the Canopy

- Lift the canopy into place so that the screw holes are aligned.
- Insert the two canopy screws found in the hardware bag.

Installing the Blades:

Insert the blade into the blade slot around the center screw. Put the blade washers found in the hardware bag onto the blade screws found in the hardware bag. Then install the blade screws to secure each blade to the fan.

Repeat x6

Assembling the Light Kit

1. Partially install two light kit screws, found in the hardware bag, halfway into the motor housing as shown. It does not matter which two screw holes you choose.
2. Align the keyhole slots in the top of the light kit assembly with the partially installed assembly screws. Wrap the keyhole slots around the screws and twist counterclockwise. Install the third light kit screw. Tighten all screws securely.
3. Partially install two of the light kit screws found in the bag. It does not matter which two screw holes you choose. Connect the single-pin connectors from the LED assembly to the connectors from the fan. Connect the white wires together. Connect the blue and black wires together.

4. Align the keyhole slots in the light kit housing with the two screws. Make sure all the wires from the fan and the light kit are snug inside the center of the light kit, not pinched in between the upper switch housing and the light kit or hanging out of the sides.
5. Turn the light kit counterclockwise until the light kit screws are firmly situated in the narrow end of the keyhole slots. Install the third screw and tighten all three screws securely.

WARNING FAN FALL HAZARD Make sure all screws are tight to secure the light fixture.

Installing the Bulbs and Glass

Lift the globe and align the notches in the globe with the tabs in the light kit.

Note: Fan style may vary

Attach the globe by lifting and turning clockwise one third of a full turn of the glass until it stops.

NOTE: Check to ensure proper engagement.

WARNING GLASS FALL HAZARD To prevent SERIOUS INJURY or DEATH, make sure that glass is properly secured.

Preparing the Wall Control

1. Turning off the power Ensure the power is OFF at the outlet box and wall switch location before proceeding with installation.
2. Installing the battery To access the battery compartment, slide the battery door up. Replace the used battery with two AAA batteries when needed.
3. Wiring the Wall Control Connect the grounding wire from the wall control to the ground control from the switch box using the provided wire nuts. Connect the "LIVE IN" from the switch box to the "~VAC" from the wall control using the provided wire nuts. Connect the "LIVE OUT" from the switch box to the "FAN" out from the wall control using the provided wire nuts. Push all wires into the switch box.
4. Installing the Wall Control Install the longer screws through the slots in the wall control into the switch box screw holes.
5. Installing the Wall Plate Install the shorter screws through the wall control plate and into the screw holes in the wall control.
6. Turning on the power
7. The remote transmitter is already paired to the receiver and ready to use. If you need to pair your remote, cycle power to the fan by turning power off and back on at the wall switch (or circuit breaker if necessary). Within three minutes, do the following
8. Reference the included remote function card for information on how to use your wall control!

Warning

This content is compiled from multiple sources and is provided for reference purposes only. It may not be complete or fully applicable to all situations. If you are unable to resolve your issue, please contact the product manufacturer or an authorized service provider for official support.

Document generated by [ManualsFile](#)