

User Manual and Installation Instructions

Model: HPA30C

Hisense (Guangdong) Air Conditioning Co. Ltd.

No.8 Hisense Road , Advanced Manufacturing Jiangsha Demonstration Park. Jiangmen City.

Guangdong Province. P.R.China

SAFETY INSTRUCTIONS

This appliance can be used by children aged from 8 years and above and persons with reduced physical, sensory or mental capabilities or lack of experience and knowledge if they have been given supervision or instruction concerning use of the appliance in a safe way and understand the hazards involved. Children shall not play with the appliance. Cleaning and user maintenance shall not be made by children without supervision.

Children should be supervised to ensure that they do not play with the appliance.

If the supply cord is damaged, it must be replaced by the manufacturer, its service agent or similarly qualified persons in order to avoid a hazard. The appliance shall be installed in accordance with national wiring regulations. The range of external static pressures is 0.2Pa to 0.2Pa. Keep the unit 5m or more apart from combustible surfaces.

Do not operate your air conditioner in a wet room such as a bathroom or laundry room.

SAFEGUARDING THE ENVIRONMENT

This appliance is made of recyclable or re-usable material. Scrapping must be carried out in compliance with local waste disposal regulations. Before scrapping it, make sure to cut off the mains cord so that the appliance cannot be re-used.

For more detailed information on handling and recycling this product, contact your local authorities who deal with the separate collection of rubbish or the shop where you bought the appliance.

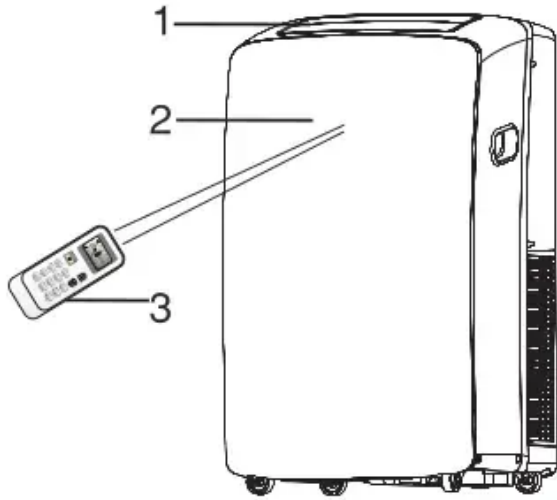
SCRAPPING OF APPLIANCE This appliance is marked according to the European Directive 2012/19/EU, Waste Electrical and Electronic Equipment (WEEE).

This marking indicates that this product should not be disposed with other household wastes throughout the EU. To prevent possible harm to the environment or human health from uncontrolled waste disposal, recycle it responsibly to promote the sustainable reuse of material resources. To return your used device, please use the return and collection systems or contact the retailer where the product was purchased.

They can take this product for environmental safe recycling.

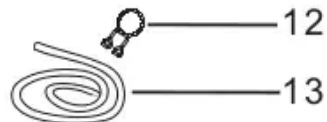
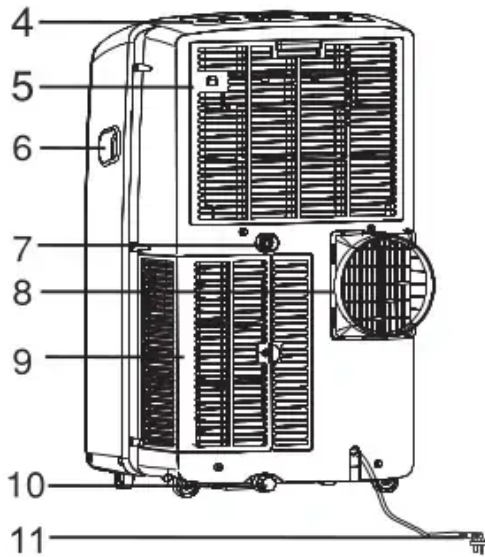
IDENTIFICATION OF PARTS

• Front



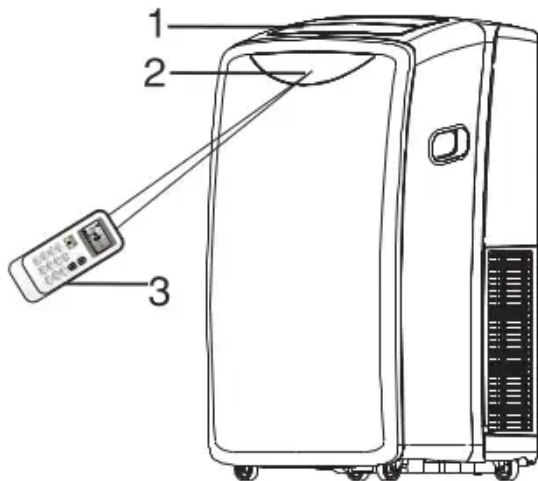
- 1 Cool air outlet
- 2 Signal receptor
- 3 Remote control
- 4 Control panel
- 5 Evaporator air intake
- 6 Transport handle
- 7 Secondary drain port
- 8 Air outlet hose
- 9 Condenser air intake
- 10 Primary drain port
- 11 Power supply
(May differ from the one shown)
- 12 Drain hose clip (Heat pump models)
- 13 Drain hose (Heat pump models)

• Back



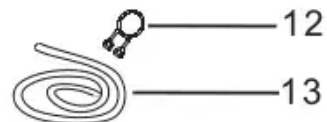
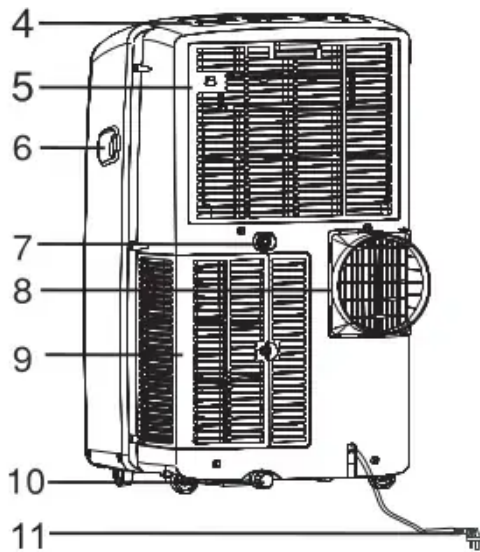
The figures in this manual are based on the external view of a standard model. They may differ from that of the air conditioner you have selected.

• Front



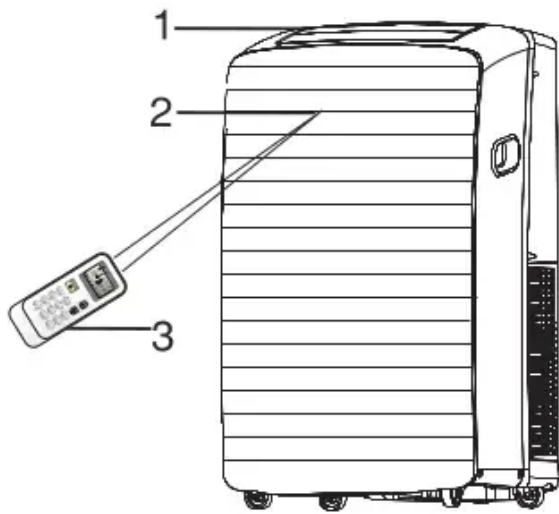
- 1 Cool air outlet
- 2 Signal receptor
- 3 Remote control
- 4 Control panel
- 5 Evaporator air intake
- 6 Transport handle
- 7 Secondary drain port
- 8 Air outlet hose
- 9 Condenser air intake
- 10 Primary drain port
- 11 Power supply (May differ from the one shown)
- 12 Drain hose clip (Heat pump models)
- 13 Drain hose (Heat pump models)

• Back



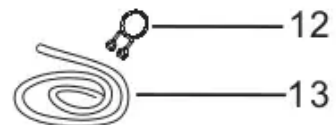
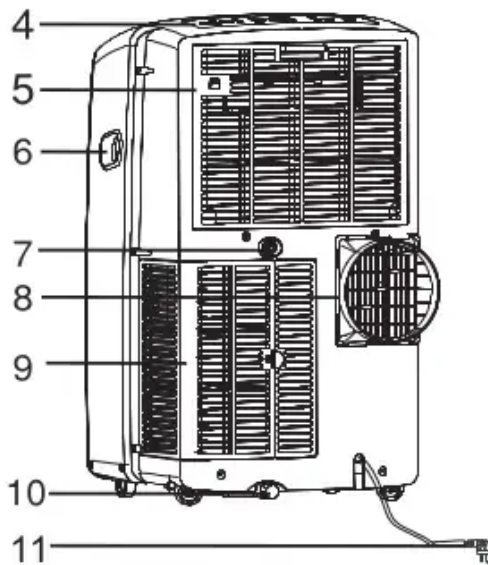
The figures in this manual are based on the external view of a standard model. They may differ from that of the air conditioner you have selected.

• Front



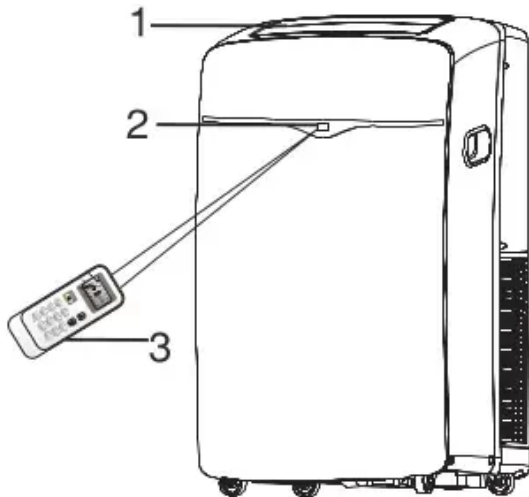
- 1 Cool air outlet
- 2 Signal receptor
- 3 Remote control
- 4 Control panel
- 5 Evaporator air intake
- 6 Transport handle
- 7 Secondary drain port
- 8 Air outlet hose
- 9 Condenser air intake
- 10 Primary drain port
- 11 Power supply
(May differ from the one shown)
- 12 Drain hose clip (Heat pump models)
- 13 Drain hose (Heat pump models)

• Back



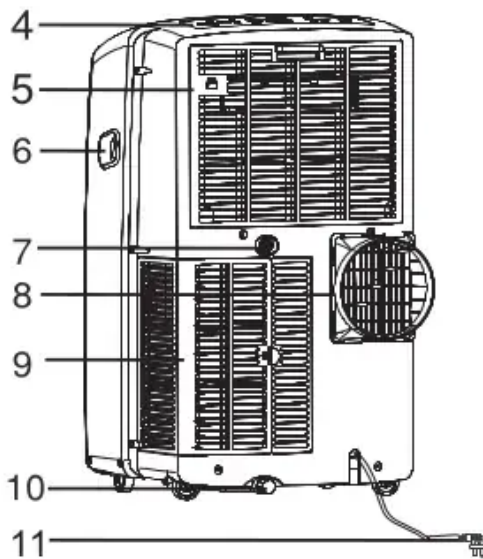
The figures in this manual are based on the external view of a standard model. They may differ from that of the air conditioner you have selected.

• Front



- 1 Cool air outlet
- 2 Signal receptor
- 3 Remote control
- 4 Control panel
- 5 Evaporator air intake
- 6 Transport handle
- 7 Secondary drain port
- 8 Air outlet hose
- 9 Condenser air intake
- 10 Primary drain port
- 11 Power supply
(May differ from the one shown)
- 12 Drain hose clip (Heat pump models)
- 13 Drain hose (Heat pump models)

• Back



The figures in this manual are based on the external view of a standard model. They may differ from that of the air conditioner you have selected.

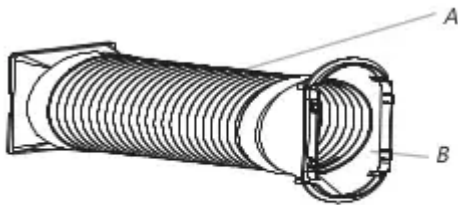
INSTALLATION INSTRUCTIONS

Install Exhaust Hose and Adapter

1. Roll the air conditioner to selected location.
2. Attach the dummy coupling to the flexible exhaust hose. Turn anticlockwise until securely locked into place.



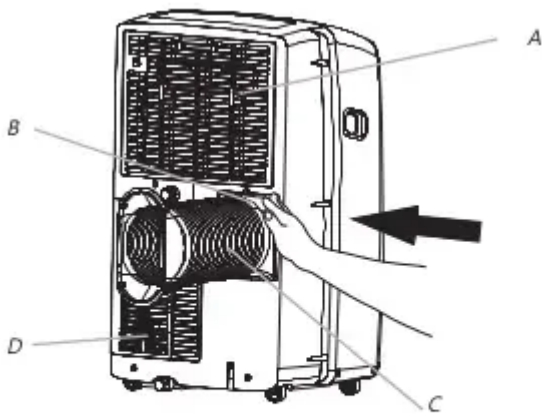
3. Attach the window exhaust adapter to the flexible exhaust hose. Turn anticlockwise until securely locked into place.



A. Flexible exhaust hose
B. Window exhaust adapter

4. Insert the dummy coupling into the slot on the back of the air conditioner.

5. Slide down to lock the hose into place.

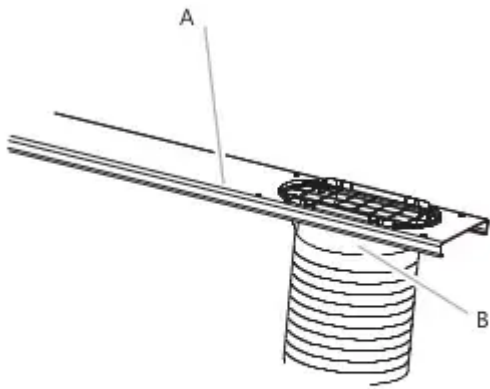


A. Evaporator air intake
B. Dummy coupling
C. Flexible exhaust hose
D. Condenser air intake

Window Installation

Your window slider kit has been designed to fit most standard vertical and horizontal window applications. Roll the air conditioner to selected location. See "Location Requirements."

1. Insert the window exhaust adapter into the slot on the window slider kit.



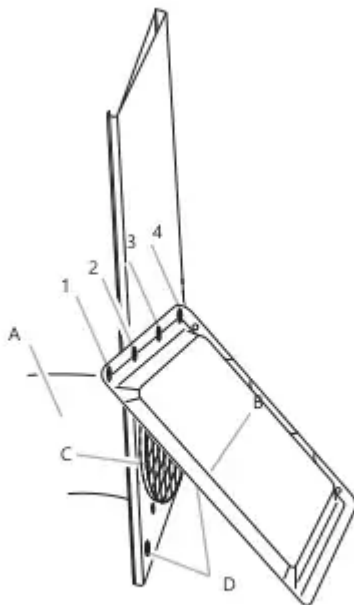
A. Window slider kit
B. Window exhaust adapter

2. Using the 2 bolts, washer and nuts (provided), attach the rain cover to the window slider kit for either the vertical or horizontal installation.

NOTES: The holes in the window slider kit are positioned for attaching the rain cover for vertical or horizontal installation.

Insert the other 2 bolts, washers and nuts (provided) into the unused holes in the window slider kit to keep moisture from leaking through the window slider kit.

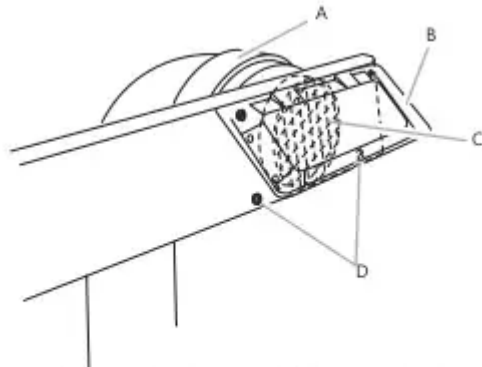
Rain cover--Vertical Installation



A. Window exhaust adapter
B. Rain cover
C. Outlet grille
D. Bolts inserted into unused holes in Window slider kit

NOTES: Four holes in the rain cover for vertical installation. Insert the 2 bolts with "1" "3" or "2" "4".

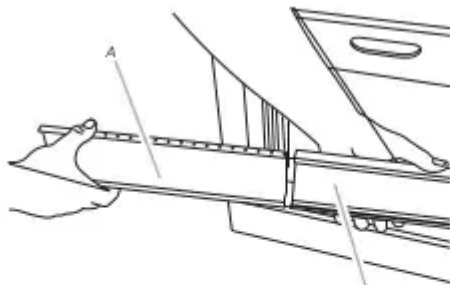
Rain cover--Horizontal Installation



A. Window exhaust adapter D. Bolts inserted into unused holes in Window slider kit
 B. Rain cover
 C. Outlet grille

3. Open the window.

4. Measure the window opening. If the window opening is too narrow for the window slider kit, remove the inner slider section from the window slider kit.

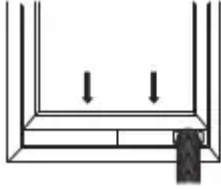
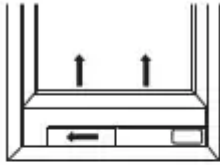


A. Inner slider section
 B. Outer slider section

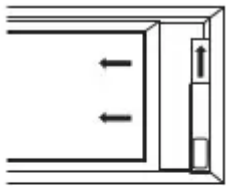
- Using a saw, cut the inner slider section to fit the window opening.
- Slide the inner slider section into the outer slider section of the window slider kit.

- Using a saw, cut the inner slider section to fit the window opening.
- Slide the inner slider section into the outer slider section of the window slider kit

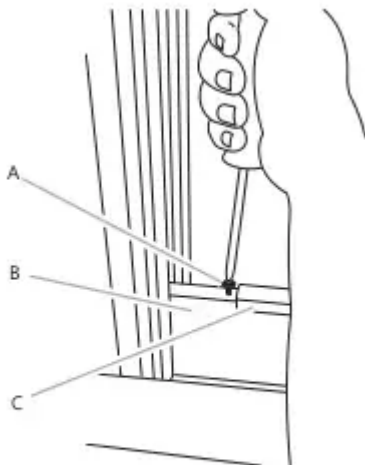
5. Place the window slider kit into the window, extending it to fit the width of the window. Be sure the rain cover is on the outside of the window.



NOTE: For casement window installation, the window slider kit may be installed vertically with the window slider kit opening at the bottom.

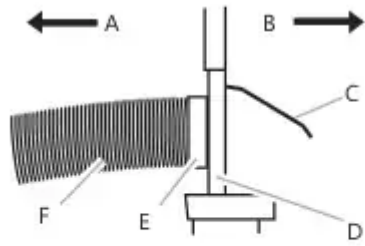


6. Inset $\frac{1}{4}$ " screw (provide 2) into the hole in the inner slider section that is closest to the end of the outer slider section of



- A. $\frac{1}{4}$ " screw (provide 2)
- B. Inner slider section
- C. Outer slider section

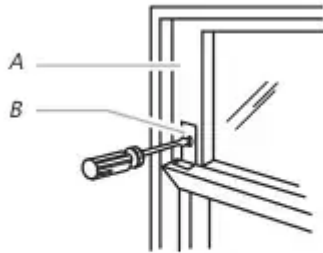
7. Close the window onto the window slider kit to secure.



- A. To portable air conditioner
- B. Outdoors
- C. Rain cover
- D. Window slider kit
- E. Window exhaust adapter
- F. Flexible exhaust hose

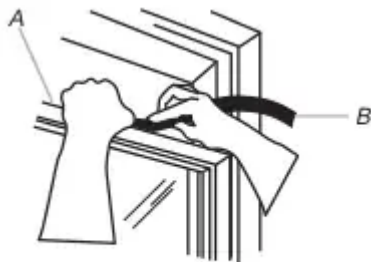
Complete Installation

1. Place the window-lock bracket on top of the lower window and against the upper window sash.
2. Use 1/8" drill bit to drill a starter hole through the hole in the bracket.
3. Attach the window-lock bracket to the window sash with wood screw(provide 4) to secure the window in place.



- A. Upper window sash
- B. Window-lock bracket

4. Insert the foam seal behind the top of the lower window sash and against the glass of the upper window.



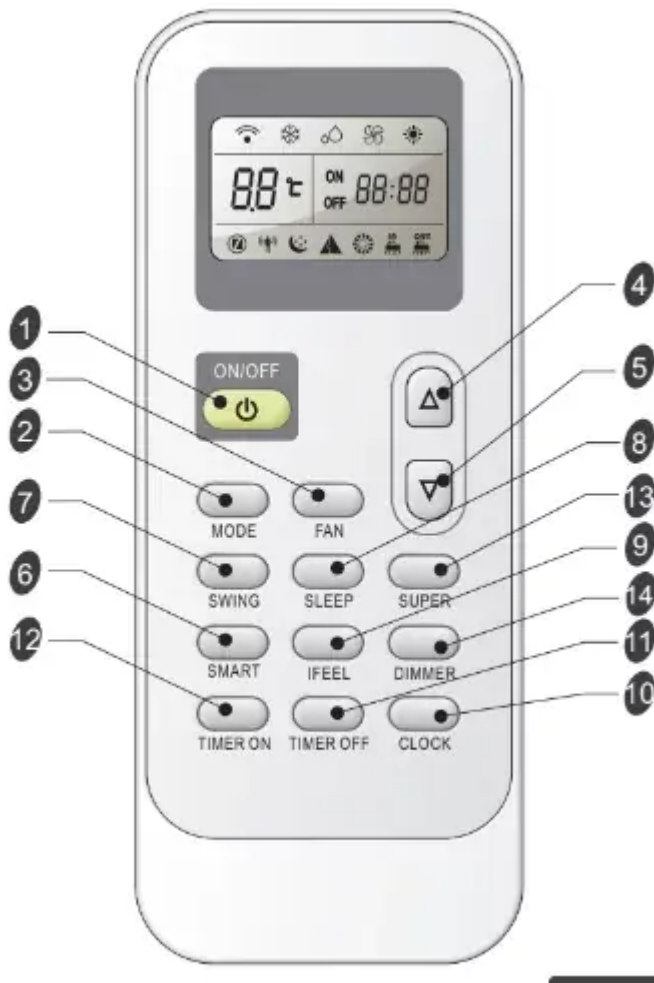
- A. Top of lower window sash
- B. Foam seal

AIR CONDITIONER USE

Please [download file.pdf](#).

Remote control

NOTE: Remote control may differ in appearance.






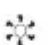












Button and Function

1		ON/OFF	8		SLEEP
2		MODE	9		IFEEL
3		FAN	10		CLOCK
4		UP	11		Timer Off
5		DOWN	12		Timer On
6		SMART	13		SUPER
7		SWING	14		DIMMER

Indication symbols

Indication symbols on LCD:

 Cooling indicator	 Auto fan speed
 Dry indicator	 High fan speed
 Fan only indicator	 Medium fan speed
 Heating indicator	 Low fan speed

 Smart indicator	 Signal transmit.
 Sleep indicator	ON  Display set timer
 Ifeel indicator	OFF  Display current time
 Super indicator	 Display set temperature

TROUBLESHOOTING

The power supply cord is unplugged.

- Plug into a grounded 3 prong outlet. See” Electrical Requirements.”

Time-delay fuse or circuit breaker of the wrong capacity is being used.

- Replace with a time-delay fuse or circuit breaker of the correct capacity. See * electrical Requirements”

A household fuse has blown. or a circuit breaker has tripped.

- Replace the fuse. or reset the circuit breaker. See “Electrical Requirements”

The On/Off button has not been pressed.

- Press ON/OFF.

The local power has failed

- Wait for power to be restored.

Too many appliances are being used on the same circuit

- Unplug or relocate appliances that share the same circuit.

You are trying to restart the air conditioner too soon after turning off air conditioner.

- Wait atleast 3 minutes after turing off air conditioner before trying o restart the air conditioner.

You have changed modes.

- Wait atleast 3 minutes after turing off air conditioner before trying to restatt the air conditioner.

Is there a door or window open?

- Keep doors and windows closed

The current air conditioner replaced an older model.

- The use of more efficient components may cause the air conditioner to run longer than an older model, but the total energy consumption will be less. Newer air conditioners do not emit the "blast" of cold air you may be accustomed to from older units, but this is not an indication of lesser cooling capacity or efficiency. Refer to the efficiency rating (EER) and capacity rating (in Btu/h) marked on the air conditioner.

The air conditioner is in a heavily occupied room, or heat-producing appliances are in use in the room.

- Use exhaust vent fans while cooking or bathing and try not to use heat-producing appliances during the hottest part of the day. Portable air conditioners are designed as supplemental cooling to local areas within a room. A higher capacity air conditioner may be required, depending on the size of the room being cooled.

Set temperature is close to room temperature.

- + Lower set temperature. See "Portable Air Conditioner Use"

Display error code

- + If the unit displays error code E5, it is water full in the unit. You should drain the water. See "Draining the air conditioner". After draining, you can operate the unit again.
- + If the unit displays error code E /EZIESI/ESIETIEA, please contact customer service

Air conditioner runs, but does not cool

The filter is dirty or obstructed by debris.

- Clean the filter

Air outlet is blocked.

- Clear air outlet

Set temperature is too high.

- Lower set temperature.

Air conditioner cycles on and off too much

The air conditioner is not properly sized for your room.

- Check the cooling capabilities of your portable air conditioner. Portable air conditioners are designed as supplemental cooling to local areas within a room.

The filter is dirty or obstructed by debris.

- Clean the filter.

There is excessive heat or moisture (open container cooking, showers, etc.) in the room

- Use a fan to exhaust heat or moisture from the room. Try not to use heat-producing appliances during the hottest part of the day.

The louvers are blocked.

- Install the air conditioner in a location where the louvers are free from curtains. blinds. fumiture. etc.

Warning

This content is compiled from multiple sources and is provided for reference purposes only. It may not be complete or fully applicable to all situations. If you are unable to resolve your issue, please contact the product manufacturer or an authorized service provider for official support.

Document generated by [ManualsFile](#)

