

## Product View



1. Steam Trigger

2. Easy Touch Digital Controls
3. Cord Clip
4. Handle
5. Power Cord
6. Water Tank with Easy Fill Opening
7. Vacuum Filter
8. Bottom Empty Dirt Tank
9. Microfiber Mop Pads (quantities vary by model)
10. Quick Release Pad Tray
11. Water Cup
12. Vacuum Nozzle

## **WARNING**

- Plastic film can be dangerous. To avoid danger of suffocation, keep away from babies and children.
- Do not plug in your hard floor cleaner until you are familiar with all instructions and operating procedures.
- To reduce the risk of electric shock, turn power OFF and disconnect polarized plug from electrical outlet before performing maintenance or troubleshooting checks.

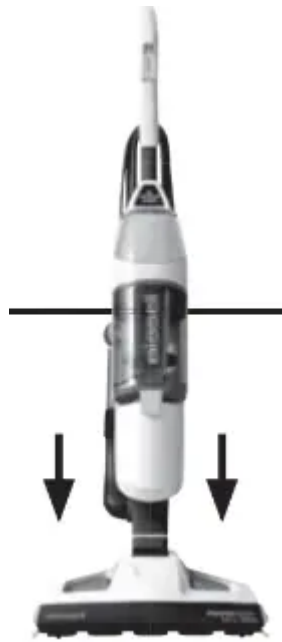
## **Assembly**

Your hard floor cleaner assembles quickly and easily, no tools required.

**WARNING:** Do not plug in your hard floor cleaner until you are familiar with all instructions and operating procedures.

### **To Assemble the Unit**

Insert the handle into the top of the body until you hear a click. Then insert the body into the foot until you hear the locking tab click.



**WARNING:** Exercise extreme care when using the hard floor cleaner on hardwood floors. Prolonged application of steam in one area increases the risk of damage to the surface treatment on timber floors. Test steam mop in an inconspicuous area before mopping a large area. The steam mop generates hot steam, so move the unit continuously when depressing the trigger. The trigger does not need to be depressed at all times. Regular foot traffic and direct sunlight will wear down timber floor surface treatment, making it more susceptible to steam damage. Check with your timber floor treatment and application specialist prior to steam mop operation.

## Operations

### Special Features

#### Easy Touch Digital Controls

The fingertip power controls are located on the front of the handle. Settings include:



**(HI) High Steam**

Use for durable floors or on sticky messes. To turn steam on, press once. Click again to turn steam off. Can be used simultaneously with the vacuum function or separately as a steam mop only.



**(LO) Low Steam** Use on delicate floors or for light, everyday cleaning. To turn steam on, click once. Click again to turn steam off. Can be used simultaneously with the vacuum function or separately as a steam mop only.

**NOTE: You must select a steam setting first and then hold down the hand trigger to produce steam.**



**(VAC) Vacuum ON/OFF** switch. Can be used simultaneously with either steam function or separately as a stick vacuum only.

**NOTE: All settings can be used alone or either steam setting can be used simultaneously with the vacuum setting.**

## Microfiber Mop Pads

Reusable microfiber mop pads are machine washable and safe for virtually all hard floor surfaces. The white microfiber pad is best for everyday use on delicate flooring like sealed hardwoods and laminate. The gray and white striped pad can be used for scrubbing heavily soiled floors and cleaning tougher messes.

**WARNING:** Appliance will not pick up crayons, marbles and other large objects.

**Tip:** Do not attempt to use your hard floor cleaner on the steam setting without water in the tank. You may hear a knocking sound indicating there is no water.

**WARNING:** Be sure to turn OFF vacuum mode if you encounter liquid on the floor

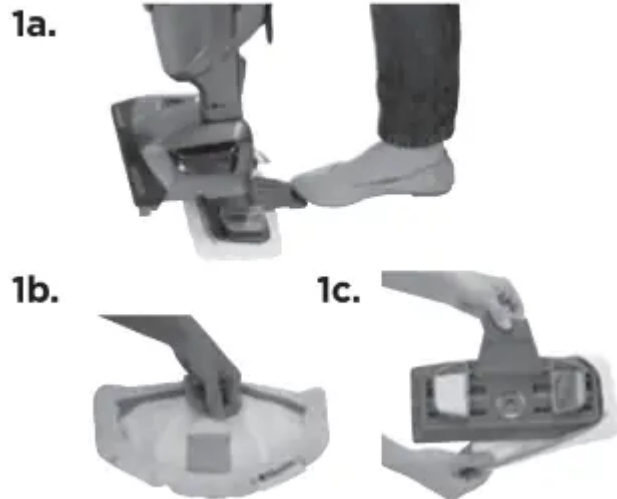
## Getting Ready

The mop pad may have already come attached to the mop pad tray on the foot of the unit. If not, please follow step 1 below.

**For Microfiber Mop pads, please follow these steps:**

1. Attach mop pad.
  - a. Step on foot release for mop pad tray and lift unit off tray.
  - b. Some units may come with fragrance discs. Add fragrance disc in the mesh pocket in the mop pad. Use the whole disc for a refreshing scent or cut in half for a lighter scent.
  - c. Wrap mop pad around the bottom of the tray, making sure the gray stitching is in the front and the quick release tab is in the back.
  - d. Put the mop pad tray back down on the floor and set the unit back on top. It will click into place.

## Microfiber Mop Pad



### 2. Fill the water tank.

a. On the back of the unit, open the Easy Fill opening of the water tank and use the included Water Cup to fill the water tank with water. Don't overfill or water may spill from the tank. For best results, water should be at room temperature.

b. Close the Easy Fill opening.

c. The water tank holds 13oz. and will last approximately 15 minutes depending on the amount of the steam used during cleaning.

### 3. Pull and twist the Quick Release cord wrap clockwise to unwrap the Power Cord completely and plug into an outlet as described on the Important Safety Instructions on page 2.

**NOTE:** Upon the first use or first use after refilling the water tank, the pump may make a 'knocking' sound. This is normal and could last up to 30 seconds.

**WARNING:** Tinted plates on foot may get hot while steam mop is in use. Do not touch while hot.



**WARNING:** Never put descaling, alcoholic or detergent products into the steam cleaner, as this may damage it or make it unsafe for use.

**Tip:** Use of distilled or demineralized water is recommended to prolong the life of your hard floor cleaner. To add a fresh scent as you clean, try BISSELL® demineralized waters in various scents like Citrus, Eucalyptus Mint and Spring Breeze.

## Using Your PowerFresh® Vac & Steam Hard Floor Cleaner

The hard floor cleaner can be used as a vacuum and a steam mop at the same time or separately. For best results and time savings, use the powerful vacuum to clear floor of dust and small debris as you steam mop.

Your hard floor cleaner is designed to clean hard flooring, such as ceramic tile, marble, stone, and sealed hard wood floors. Use on waxed or some unwaxed floors may result in a diminished glossiness. The hard floor cleaner is not for use on unsealed wood floors. For best results, test in an inconspicuous area and check the care instructions from your flooring manufacturer.



1. Plug the unit in and wait 30 seconds for it to heat up. When the Steam Ready light illuminates, choose the level of steam to clean your floor:



**HI** for durable floors or sticky messes.



**LO** for delicate floors or every day cleaning.

2. Press Steam Trigger on the underside of the handle to actuate steam



3. Push the **VAC** switch down to turn ON the cyclonic vacuum.

2.



4. Begin cleaning by slowly moving the unit over the floor surface while pressing the Steam Trigger on the underside of the handle. Moisture on the floor is normal when using in steam mode.

5. When the hard floor cleaner stops emitting steam, turn the unit OFF (both steam mop and vacuum functions) and unplug. Open the Easy Fill opening of the water tank and use the Water Cup to add more water to the tank. For best results, water should be at room temperature. Then close the Easy Fill opening, turn the unit back on and continue cleaning.

**NOTE: To be sure to sanitize an area of your floor, use the microfiber cloth pads and slowly and evenly stroke the hard floor cleaner back and forth at least three times over the area using continuous steam. For best results, remove the pad and wash after use.**

**WARNING:** To reduce the risk of electric shock, turn power OFF and disconnect polarized plug from electrical outlet before performing maintenance or troubleshooting checks.

**Tip:** For vacuum use on low pile area rugs, remove pad tray for improved performance.

## Thermal Protector

An internal thermal protector has been designed into your vacuum to protect it from overheating. When the thermal protector activates, the vacuum motor will stop operating. If this happens:

1. Turn the cleaner OFF and unplug from electrical outlet.
2. Empty Dirt Tank, check filters and air passages for dirt accumulation.
3. The thermal protector automatically resets after approximately 2 hours. If the thermal protector does not reset, call BISSELL Consumer Services or visit the website.

## Maintenance & Care

### Removing Mop Pads

1. Unplug hard floor cleaner from electrical outlet.
2. Step on foot release for mop pad tray and lift unit off tray.
3. Carefully remove mop pad from the mop pad tray using the Quick Release Tab. The mop pad and tray may be hot.
4. Put the mop pad tray back down on the floor and set the unit back on top. It will click into place.
5. The mop pad can be machine washed in warm water. Use only liquid detergents. Do not use fabric softeners or bleach. For best results, air dry.

**WARNING:** To reduce the risk of electric shock, turn power OFF and disconnect polarized plug from electrical outlet before performing maintenance or troubleshooting checks.

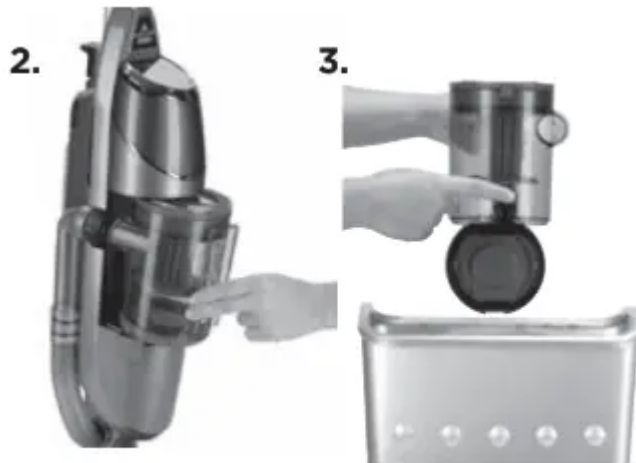


**CAUTION:** Upright storage of the cleaner with a wet mop pad may result in the formation of white marks on your floor. To remove the white marks, clean area with vinegar.

### Emptying the Dirt Tank

The Dirt Tank needs to be emptied when the dirt reaches the 'Full' line on the side of the tank.

1. Unplug hard floor cleaner from electrical outlet.
2. Remove the Bottom Empty Dirt Tank from the unit by moving the lock button on the front of the unit to the left.
3. Hold the Dirt Tank over a garbage container. Press the bottom lid release button on the back of the Dirt Tank to empty.
4. Mount the Bottom Empty Dirt Tank back on the vacuum base and push the lock button to the right until it is centered on the front of the unit.



**NOTE: The Dirt Tank may be washed in warm water with a mild detergent. Make sure it is completely dry before replacing.**

### **Cleaning or Replacing the Vacuum Filter**

The key to maximum performance is having clean filters. Cleaning the filters after each use will help the vacuum operate at peak efficiency. Use only genuine BISSELL® replacement filters in your hard floor cleaner. To purchase, visit web BISSELL or call BISSELL Consumer care at 1-800-237-7691.



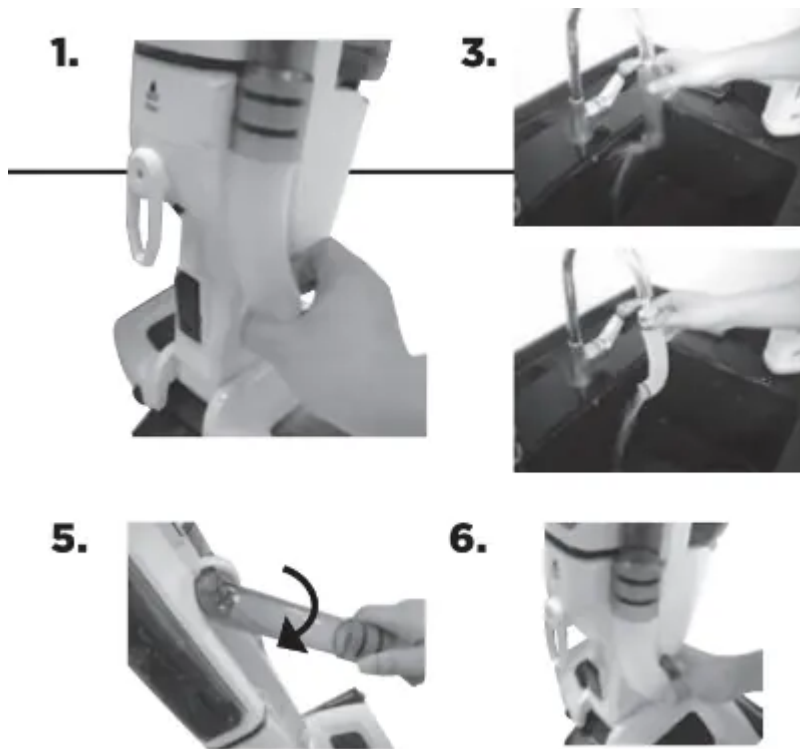
1. Turn power off and unplug unit.
2. Remove the Dirt Tank from the unit as directed in the Empty Dirt Tank section.
3. Remove the Filter Assembly by pulling it up and out of the Dirt Tank.
4. Tap the Filter Assembly firmly against the inside of a water container to remove any visible dirt.
5. To remove the Foam and Pleated Filters from the Filter Assembly; grasp the bottom of the Filter Assembly with one hand and the two tabs on the top of the with your other

hand and pull apart. The black, Foam Filter can then be pull out from under the white, Pleated Filter.

6. The Foam Filter can be washed gently by hand in warm water and mild dish detergent. Be sure to rinse thoroughly and air dry completely before replacing back into the filter assembly.
7. The Pleated Filter is made of paper and is not washable. It can be replaced when it becomes dirty. Recommended replacement is every 6 months.
8. When cleaned and dry, replace the Foam Filter back under the Pleated Filter and replace back onto the Filter Assembly. Be sure to align the notch on the top of the Filter Assembly into the opening on the bottom to ensure proper fit.
9. Replace the Filter Assembly back into the Dirt Tank. Be sure to align the notch on the Filter Assembly into the opening on the top of the Dirt Cup to ensure proper fit.
10. Place the Dirt Tank back into the unit and slide the lock button to your right to lock in place.

### **Cleaning Hose Tube**

1. Grab bottom end of the hose and pull lower portion away from the body.
2. Seperate the hose into two pieces.
3. Wash hose.
4. Align the top of the hose to the groves on the hose opening of the unit.
5. Twist hose down to insert lower portion of hose to the unit.
6. Make sure hose fits tightly into the unit.



### Cleaning Foot of Unit

1. To clean the foot and bristles, push the release button on the back of the pivot joint and pull the foot to release it from the appliance.
2. Wash bottom of foot and bristles with cold water.
3. Look for any clogging in the steam nozzle. To clean, run water over steam nozzle.

**NOTE: Make sure foot and bristles are dry before attaching the foot to the appliance.**

4. To re-attach the foot to the appliance: place the foot on the floor, push the appliance down into the foot and then listen for the click that sounds when properly attached.

**WARNING:** To reduce the risk of electric shock, turn power OFF and disconnect polarized plug from electrical outlet before performing maintenance or troubleshooting checks.

**2.**



**WARNING:** To reduce the risk of electric shock, turn power OFF and disconnect polarized plug from electrical outlet before performing maintenance or troubleshooting checks.

## Troubleshooting

### Vacuum cleaner has low suction

Dirt Tank is full

- Empty Dirt Tank

Dirt Tank is not installed properly

- Position tank correctly and move lock button to the right until it is in the center of the unit

Foot is loose

- Make sure foot is fully inserted into body of unit

Filters need cleaning

- Follow filter instructions on page 9

Filters need replacing

- Visit web [BISSELL](http://BISSELL.com) to order replacement filters

Hose tube is not installed properly

- Follow instructions on page 9

## Visible dirt escaping from cleaner

Dirt Tank is full of debris

- Empty Dirt Tank

Filter is missing or installed incorrectly

- Check filter for correct installation

Dirt Tank installed incorrectly

- Position tank correctly and move lock button to the right until it is in the center of the unit

## Reduced steam or no steam

Water tank empty

- Fill tank

Steam level not selected

- Select steam level by pushing steam level button

## Warranty

This warranty gives you specific legal rights, and you may also have other rights which may vary from state to state. If you need additional instruction regarding this warranty or have questions regarding what it may cover, please contact BISSELL® Consumer Care by E-mail or telephone as described below.

It may be necessary to obtain some of your personal information, such as a mailing address, to fulfill terms of this warranty. Any personal data will be handled pursuant to BISSELL's Privacy Policy, which can be found online at **BISSELL**

Subject to the \*Exceptions and Exclusions from the Terms of the Limited Warranty, upon receipt of the product BISSELL will repair or replace (with new, refurbished, lightly used, or remanufactured components or products), at BISSELL's option, free of charge from the date of purchase by the original purchaser, for two years, any defective or malfunctioning part.

See information below on "If your BISSELL product should require service".

This warranty applies to product used for personal, and not commercial or rental, service. This warranty does not apply to fans or routine maintenance components such as filters, belts or brushes. Damage or malfunction caused by negligence, abuse, neglect, unauthorized repair, or any other use not in accordance with the user guide is not covered. This warranty will only be valid if the product is used in the same country in which it was sold.

BISSELL is not liable for incidental or consequential damages of any nature associated with the use of this product. BISSELL's liability will not exceed the purchase price of the product.

Some states do not allow the exclusion or limitation of incidental or consequential damages, so the above limitation or exclusion may not apply to you.

### **\*Exceptions and Exclusions from the Terms of the Limited Warranty**

This warranty is exclusive and in lieu of any other warranties, either oral or written. Any implied warranties, which may arise by operation of law, including the implied warranties of merchantability and fitness for a particular purpose, are limited to the two- year duration from the date of purchase as described above.

Some states do not allow limitations on how long an implied warranty lasts, so the above limitation may not apply to you.

**NOTE:** Please keep your original sales receipt. It provides proof of date of purchase in the event of a warranty claim.

## **Service**

**Please do not return this product to the store.**

Other maintenance or service not included in the manual should be performed by an authorized service representative.

**If your BISSELL® product should require service:**

Contact BISSELL Consumer Care to locate a BISSELL Authorized Service Center in your area. If you need information about repairs or replacement parts, or if you have questions about your warranty, contact BISSELL Consumer Care.

### **Warning**

This content is compiled from multiple sources and is provided for reference purposes only. It may not be complete or fully applicable to all situations. If you are unable to resolve your issue, please contact the product manufacturer or an authorized service provider for official support.