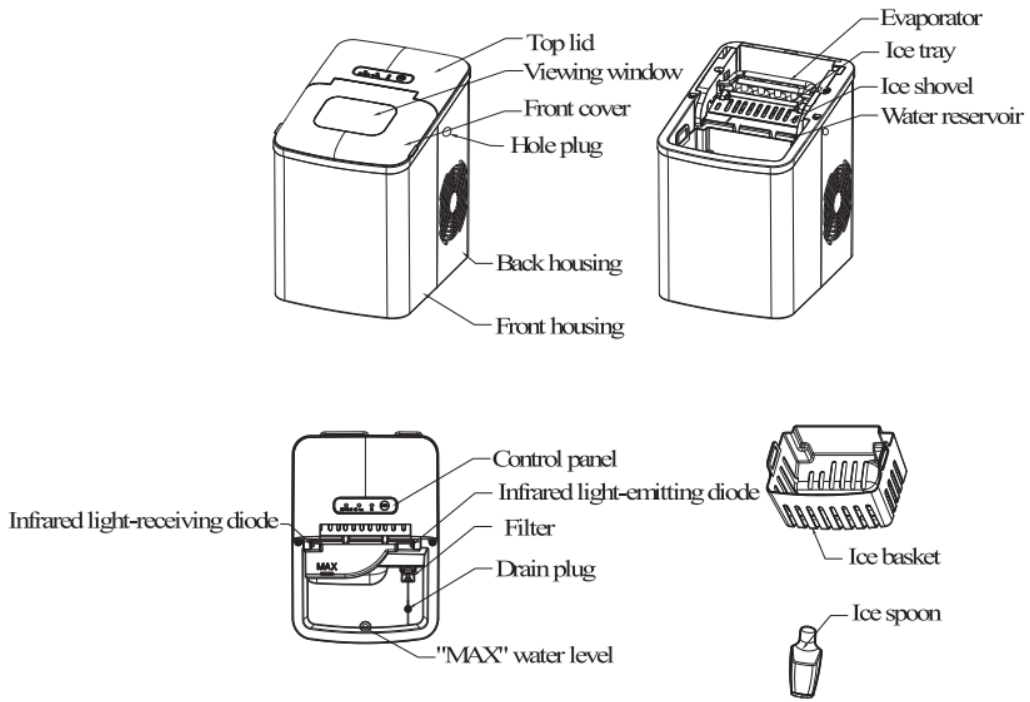
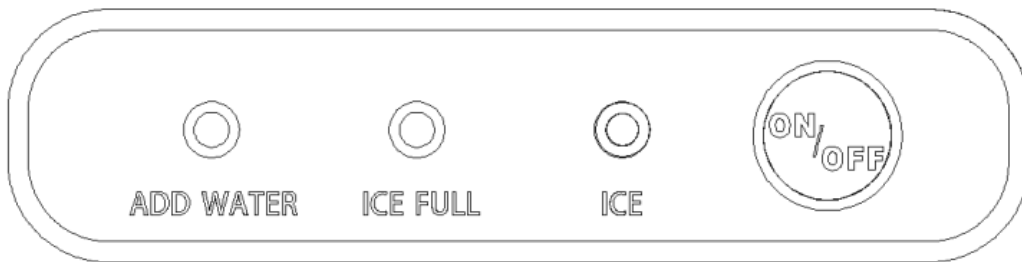


KNOW YOUR ICE MAKER



(Product may be subject to change without prior notice)

CONTROL PANEL



Key (with indicator)	Function
ON/OFF	Start or stop the appliance; Long press for clean
ICE	Standby mode: "ICE" indicator blinks; Cleaning mode: Alternating "ICE" /"ICE FULL"/" ADD WATER" indicator light blinks rapidly; Working condition: "ICE" indicator light is solid.
ICE FULL	"ICE FULL" indicator lights up when the ice basket full.
ADD WATER	"ADD WATER" indicator lights up when the water reservoir lacks water.

BEFORE FIRST USE

1. Unpack the appliance, then check and make sure that all the accessories including ice basket and ice scoop etc. are complete. Please contact customer support or the seller if some accessories are missing.
2. Please ensure the ice maker is leveled on a flat surface and on a stable table or platform to avoid malfunction.
3. The inclined angle of the ice maker cabinet should not exceed 45° during transportation or use. Do not turn the ice maker upside down. Doing so could cause the compressor or refrigerating system to operate incorrectly. Please allow time for the fluids in the compressor to settle after the ice maker is moved or transported. Before using the ice maker for the first time, please wait for 2 hours after the unit has been leveled and positioned in the proper place.
4. The appliance must be placed on a dry and leveled surface with sufficient ventilation, far from heat sources such as ovens, heaters and corrosive gases. Leave about a 6-inch (15cm) clearance on all sides of the ice maker for proper ventilation.
5. Do not fill the water reservoir with hot water. This may damage the ice maker. It is best to fill the water reservoir with water of room temperature or lower.

6. Do not use the appliance at a very cold environment (lower than 5°C).
7. Clean the appliance by following the instructions of “CLEANING AND MAINTENANCE” before operating the unit.

USING YOUR ICE MAKER

1. Ensure that the drain plug at the bottom of water reservoir is closed well.
2. Plug the ice maker into the wall outlet, the “ICE” indicator blinks.

NOTE: Allow the unit to settle for 30 minutes before plugging it if it has been moved.

3. Open the top lid and remove the ice basket.
4. Fill the water reservoir with drinking water.

NOTE: Do not fill above the MAX water level mark.

5. Put the ice basket back and close the top lid.
6. Press “ON/OFF” key, and the “ICE” indicator light will turn on (solid light).
7. The ice-making cycle will last approximately 7-15 minutes, depending on the ambient temperature and water temperature.

8. The ice-making cycle starts with the water being pumped into the ice tray situated below the evaporator. Over the next 7-15 minutes the ice forms on the evaporator. Once it's completed, the ice tray will tilt backwards and the remaining water in the ice tray is drained back into the water reservoir. The ice cubes are then formed and dropped from the evaporator and pushed forward into the ice basket by the ice shovel. The ice tray will automatically move back into position under the evaporator and starts the next cycle.

9. The “ICE FULL” indicator will light up when the ice basket is full and then the ice maker will stop the ice-making cycle automatically. Gently remove the ice from the ice basket with the ice scoop. About 7.5 seconds later, the ice maker will restart its ice making function automatically.

10. The “ADD WATER” indicator will light up when the water reservoir lacks water so the ice-making cycle will stop automatically. At that time, remove the ice basket and add water to the water reservoir, and then press “ON/OFF” key again to restart the ice-making cycle. The appliance will start working automatically after about 20 minutes if the operator forgets to restart the appliance after refill.

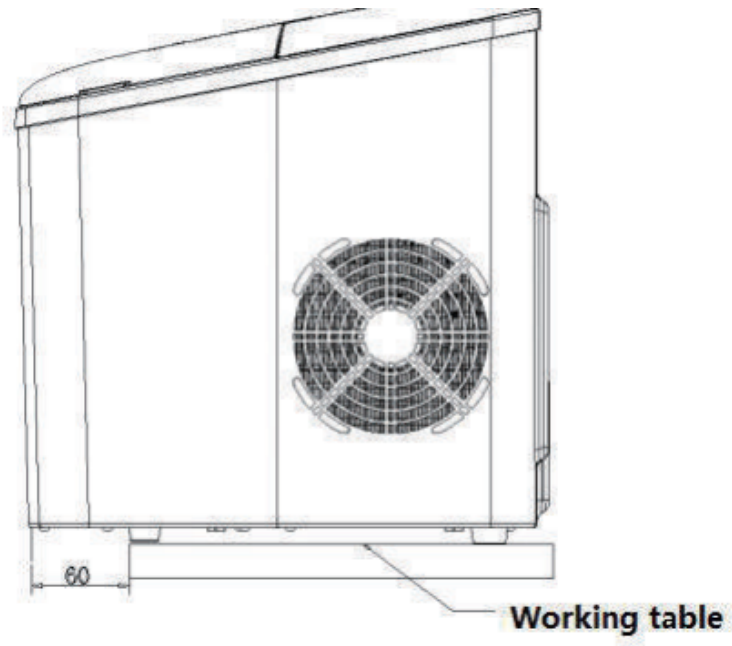
11. When you finally get your desired amount of ice, stop the ice making cycle by pressing the “ON/OFF” key and unplug the unit from the wall outlet.
12. Open the top lid and transfer the ice to a freezer.
13. Allow the ice maker to reach room temperature.

14. We suggest replacing the water every week or when its quality or safety gets compromised e.g., If it has any strange color or smell. Please empty the water reservoir if the ice maker is not used for a long time.

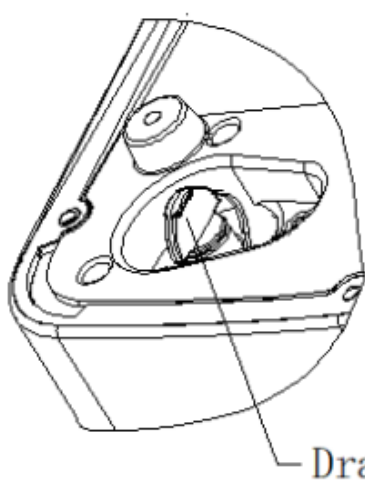
CLEANING AND MAINTENANCE

To ensure cleanliness, quality and safety, we recommend that you clean your ice maker at least once a week.

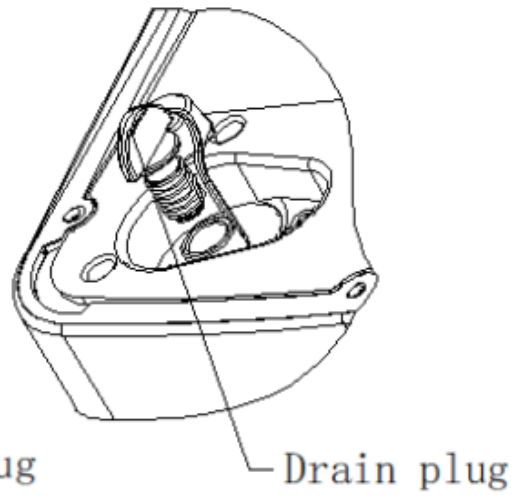
1. Stop the ice-making cycle by pressing the “ON/OFF” key, unplug the ice maker from the wall outlet and allow it to warm up to room temperature.
2. If residual water is found in the ice tray, gently push the ice tray back so that all water drains into the water reservoir.
3. Move the appliance forward to a place 60mm away from the working table and open the drain plug to drain out excess water (see Fig.1, Fig.2 and Fig.3).
4. Remove the ice basket.
5. Clean the ice maker interior with a soft cloth soaked with warm water and vinegar, then rinse with clean water and then drain all the water.
6. Remove the drain plug and return it back properly. Wash the ice basket and ice scoop in warm soapy water. Rinse and dry.
7. Clean the exterior of the ice maker with a soft damp cloth. Use a mild dishwashing soap, if necessary.
8. Please empty the water reservoir and dry it for storage if the ice maker is not used for a long time.



(Fig.1)



(Fig.2)



(Fig.3)



TROUBLESHOOTING



Problem	Possible causes	Solution
“ADD WATER” indicator turns on	<ol style="list-style-type: none"> 1. Low water level or lack of water 2. The water screen at the bottom of water reservoir is blocked. 3. Pump malfunction. 	<ol style="list-style-type: none"> 1. Stop making ice, refill water then press “ON/OFF” key to restart the ice-making cycle. 2. Clean the unit. 3. Send it to the authorized service department for repair.
“ICE FULL” indicator lights up	<ol style="list-style-type: none"> 1. Ice basket is full and the infrared light is blocked by the ice. 2. Infrared light-emitting diode & light-receiving diode do not work 	<ol style="list-style-type: none"> 1. Remove the ice from ice basket. 2a. Wipe up any foreign objects from the infrared light-emitting diode and light-receiving diode and restart the ice maker. 2b. Call Customer Service if the infrared light-emitting diode and light-receiving diode will still not work after wiping any possible foreign objects and restarting the cycle.
The ice collects or melts together.	Prolonged ice making process, insufficient cooling or something is blocked inside.	Stop making ice, check the ice basket for any blockage or any large amount of ice (Remove it) and restart the ice making cycle after the ice is removed.
	The water in the water reservoir is of too low temperature.	Fill the water reservoir with water at room temperature (room temperature ranges between 8°C and 25°C).

The ice-making cycle seems normal but no ice is produced.	The ambient temperature or water temperature is too high.	Start the ice-making cycle in an environment with an ambient temperature less than 32 °C. Fill the water reservoir with soft water.
	Leak on the Refrigerating system	Contact customer service
	Blocked refrigerating system	Contact customer service
Poor ice-making result	<ol style="list-style-type: none"> 1 .Poor heat dissipation. 2.The water temperature is too high. 3.The ambient temperature is too high. 	<ol style="list-style-type: none"> 1. Leave at least 6-inch clearance on all sides of the ice maker for ventilation. 2. Fill the water reservoir with water. The water temperature ranges between 8°C and 20°C. 3. Operate the ice maker in an environment with an ambient temperature between 10°C and 32°C.

Warning

This content is compiled from multiple sources and is provided for reference purposes only. It may not be complete or fully applicable to all situations. If you are unable to resolve your issue, please contact the product manufacturer or an authorized service provider for official support.

