

IMPORTANT SAFETY INSTRUCTIONS

- Plug into a grounded (earthed) outlet.
- Do not remove ground prong.
- Do not use an adapter.
- Do not use an extension cord.
- Disconnect power before servicing.
- Replace all parts and panels before operating.
- Remove doors from your old refrigerator.
- Use nonflammable cleaner.
- Do not store or use petrol, flammable liquids or gas in the vicinity of this or other electrical appliances. The fumes can cause fires or explosions.
- Do not store explosive substances such as aerosol cans with a flammable propellant in this refrigerator.
- Do not use or place electrical devices inside the refrigerator compartments if they are not of the type expressly authorized by the manufacturer.
- Use two or more people to move and install refrigerator.
- Disconnect power before installing ice maker (on ice maker kit ready models only).
- A qualified service technician must install the water line and ice maker. See installation instruction supplied with ice maker kit IC13B for complete details.
- Connect to a potable water supply only.
- Use a sturdy glass when dispensing ice (on some models).
- This appliance is not intended for use by persons (including children) with reduced physical, sensory or mental

Proper Disposal of Your Old Refrigerator

- Child entrapment and suffocation are not problems of the past. Junked or abandoned refrigerators are still dangerous – even if they will sit for “just a few days” If you are getting rid of your old refrigerator, please follow these instructions to help prevent accidents

Before You Throw Away Your Old Refrigerator or Freezer:

- Take off the doors.
- Leave the shelves in place so that children may not easily climb inside

INSTALLATION INSTRUCTIONS

Remove the Packaging

- Remove tape and glue residue from surfaces before turning on the refrigerator. Rub a small amount of liquid dish soap over the adhesive with your fingers. Wipe with warm water and dry.
- Do not use sharp instruments, rubbing alcohol, flammable fluids, or abrasive cleaners to remove tape or glue. These products can damage the surface of your refrigerator. For more information, see “Refrigerator Safety.”
- Dispose of/recycle all packaging materials.

Clean Before Using

- After you remove all of the package materials, clean the inside of your refrigerator before using it. See the cleaning instructions in
- Refrigerator Care.”

Recommended Grounding Method

- A 115 Volt, 60 Hz, AC only 15 or 20 A fused, grounded electrical supply is required.
- It is recommended that a separate circuit serving only your refrigerator be provided. Use an outlet that cannot be turned off by a switch. Do not use an extension cord



NOTE:

- Before performing any type of installation, cleaning, or removing a light bulb, turn the refrigerator to OFF.
- Depending on your model, either turn the freezer control to the word OFF, or press the Minus sign touch pads repeatedly until a dash (–) appears in both the Freezer and Refrigerator displays as shown. Disconnect the refrigerator from the electrical source.
- When you are finished, reconnect the refrigerator to the electrical source and reset the temperature controls to the desired setting. See “Using the Controls.”

Unpack the Refrigerator

- Remove packing materials. Do not use sharp instruments, rubbing alcohol, flammable fluids, or abrasive cleaners to remove tape or glue. These products can damage the surface of your refrigerator. For more information, see “Refrigerator Safety.”

WARNING

- Suffocation Hazard
- Remove doors from your old refrigerator.
- Failure to do so can result in death or brain damage.
- Important information to know about disposal of refrigerants: Dispose of refrigerator in accordance with Federal and Local regulations. Refrigerants must be evacuated by a licensed.

Excessive Weight Hazard

- Use two or more people to move and install refrigerator.
- Failure to do so can result in back or other injury.
- When Moving Your Refrigerator: Your refrigerator is heavy. When moving the refrigerator for cleaning or service, be sure to cover the floor with cardboard or hardboard to avoid floor damage. Always pull the refrigerator straight out when moving it. Do not wiggle or “walk” the refrigerator when trying to move it, as floor damage could occur.
- Important information to know about glass shelves and covers: Do not clean glass shelves or covers with warm water when they are cold. Shelves and covers may break if exposed to sudden temperature changes or impact, such as bumping.
- Tempered glass is designed to shatter into many small, pebble-size pieces. This is normal. Glass shelves and covers are heavy. Use both hands when removing them to avoid dropping.
- Door Removal, Leveling, and Alignment
- Gather the required tools and parts and read all instructions before starting installation. Save these instructions for future reference.

NOTE:

- Before moving your product into your home, measure the doorway of your home to see whether you need to remove the refrigerator and freezer doors. If door removal is necessary, see the instructions below.

IMPORTANT:

- Before you begin, unplug refrigerator or disconnect power. Remove food, the ice storage bin (on some models), and any adjustable door or utility bins from doors.

Refrigerator Door(s) and Drawer

Electrical Shock Hazard

- Disconnect power before removing doors.
- Failure to do so can result in death or electrical shock.
- Top Left Hinge Door Removal Top Right Hinge
- Left and Right Bottom Hinge

Freezer drawer models

- Unplug refrigerator or disconnect power.
- Keep the refrigerator door closed until you are ready to lift it free from the cabinet.
- NOTE: Provide additional support for the door while the hinges are being moved. Do not depend on the door gasket magnets to hold the door in place while you are working.
- Remove the parts for the top hinge as shown in Top Hinge graphic. Lift the refrigerator door free from the cabinet.
- Remove the parts for the bottom hinge as shown in Bottom
- Hinge graphic.

Freezer door models

- Unplug refrigerator or disconnect power.
- Keep the freezer door closed until you are ready to lift it free from the cabinet.
- NOTE: Provide additional support for the door while the hinges are being moved. Do not depend on the door gasket magnets to hold the door in place while you are working.
- Remove the parts for the top hinge as shown in Top Hinge graphic. Lift the refrigerator door free from the cabinet.
- Remove the center hinge pin and remove the hinge screws as shown in the Center Hinge graphic. Lift the freezer door free from the cabinet.
- Remove the base grille by grasping the grille firmly with both hands and pulling it toward you.
- Remove the parts for the bottom hinge as shown in Bottom
- Hinge graphic.

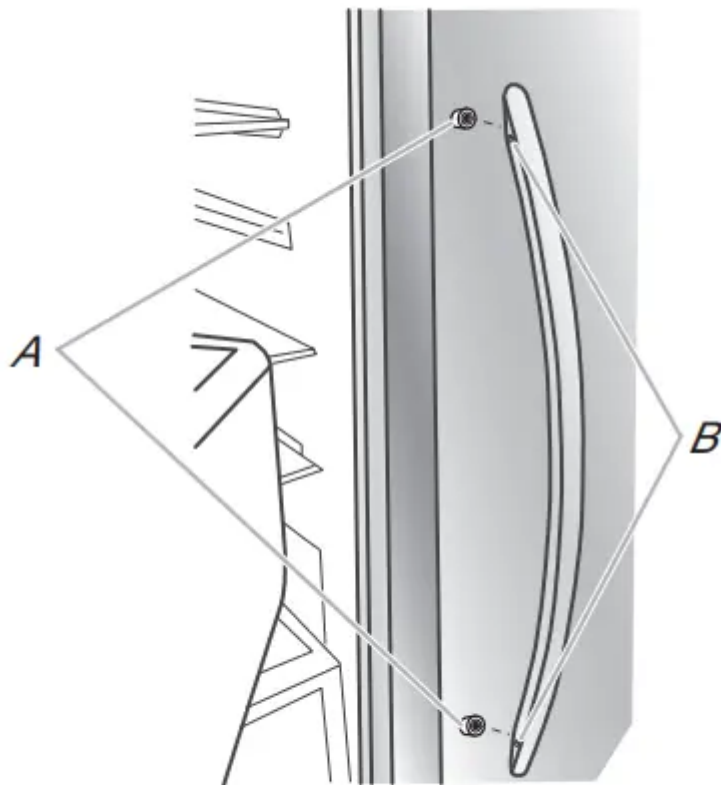
Door Closing and Door Alignment

Leveling and Door Closing

Your refrigerator has two front adjustable wheels. See graphic 1.

These are used to level the refrigerator under uneven floor conditions or want the doors to close more easily. Please follow the instructions below:

1. Use a Bubble level to check levelness of floor where the
2. Place the refrigerator into its final location in the kitchen and
3. Fully open both doors. See graphic 1.
4. If your model has water dispensing in the door. please open
5. Pull the base grille toward you from the sides and then from
6. To remove the base grille. twist and pull the right side until this



A. Shoulder screws
B. Setscrews inside the handle

Handle Installation and Removal

PARTS INCLUDED:

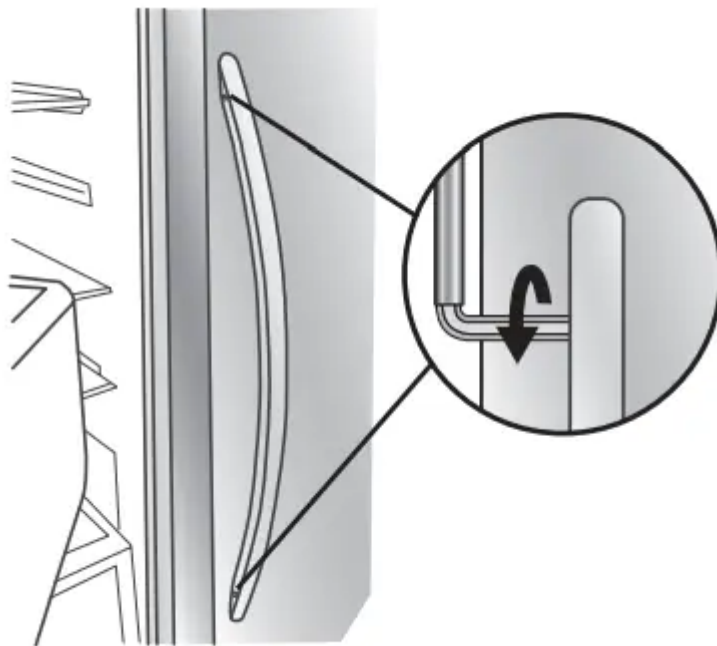
- Door handles (2). 1/8" hex key. spare setscrew(s) To Install the Handles: NOTE: The handle mounting setscrews are preinstalled in the handle.

1. Remove the handles. which are packed inside the refrigerator.

NOTE:

- To avoid scratching the finish. place the handles on a towel or other soft surface.

2. Open the freezer door. On the refrigerator door, place the
3. Firmly push the handle toward the door until the handle base
4. While holding the handle, insert the short end of the hex key
5. Using a clockwise motion, tighten the setscrew until it begins
6. Repeat steps 4 and 5 to begin fastening the lower setscrew.
7. Once both setscrews have been partially tightened as outlined
8. Open the refrigerator door and close the freezer door. Repeat
9. Save the hex key and all instructions.



To Remove the Handles:

1. While holding the handle, insert the short end of the hex key
2. Using a counterclockwise motion, loosen the setscrew a
3. Repeat steps 1 and 2 for the upper setscrew. Gently pull the
4. If necessary, use a Phillips screwdriver to remove the shoulder

Location Requirements

- To ensure proper ventilation for your refrigerator, allow for 1/2" (1.27 cm) of space on each side and at the top. Allow for 2" (5.08 cm) of space behind the refrigerator.
- If your refrigerator has an ice maker, allow extra space at the back for the water line connections. When installing your refrigerator next to a fixed wall, leave a 2" (5.08 cm) minimum space on each side (depending on your model) to allow the doors to swing open.

NOTES:

- This refrigerator is intended for use in a location where the temperature ranges from a minimum of 55°F (13°C) to a maximum of 110°F (43°C). The preferred room temperature range for optimum performance, which reduces electricity usage and provides superior cooling, is between 60°F (15°C) and 90°F (32°C). It is recommended that you do not install the refrigerator near a heat source, such as an oven or radiator.
- Normal minimum cabinet cut-out width required for product installation is 36" (91.44 cm). However, if the product is placed against an extended wall and the ability to remove the crisper pans is desired, an additional 18" (45.72 cm) of cabinet width is required, so a total cabinet opening width of 54" (137.16 cm) is recommended.

Electrical Requirements

- Before you move your refrigerator into its final location, it is important to make sure you have the proper electrical connection.
- Recommended Grounding Method A 115 V, 60 Hz, AC only, 15 or 20 A fused, grounded electrical supply is required. It is recommended that a separate circuit serving only your refrigerator be provided. Use an outlet that cannot be turned off by a switch. Do not use an extension cord.
- NOTE: Before performing any type of installation or cleaning, or removing a light bulb, disconnect the refrigerator from the electrical source. When you are finished, reconnect the refrigerator to the electrical source and reset the control (Thermostat, Refrigerator or Freezer Control depending on the model) to the desired setting. See the "Using the Controls" section in the User Instructions, User Guide, or Use and Care Guide.

Using the Controls

Temperature Controls

- For your convenience, your temperature controls are preset at the factory. When you first install your refrigerator, make sure the controls are still set to the recommended set points as shown.



IMPORTANT:

- The recommended settings should be correct for normal household refrigerator use. The controls are set correctly when milk or juice is as cold as you like and when ice cream is firm.
- When the power is on, the temperature display shows the set point temperature of the compartment.
- Wait 24 hours for your refrigerator to cool completely before adding food. If you add food before the refrigerator has cooled completely, your food may spoil.

NOTE:

- Adjusting the refrigerator and freezer temperature controls to a colder than recommended setting will not cool the compartments any faster.
- If the temperature is too warm or too cold in the refrigerator or freezer, first check the air vents to be sure they are not blocked before adjusting the controls.

Humidity Control

- The Humidity Control feature turns on a heater to help reduce moisture on the door hinge seal. Use in humid environments or when you notice moisture on the door hinge seal. The refrigerator uses more energy when Humidity Control is on.
- Press Humidity Control when the environment is warm and more humid, or if you notice moisture on the door hinge seal.
- The indicator light will be lit when humidity control is ON.
- Press Humidity Control to save energy when the environment is less humid.

Temp Alarm

- The Temp Alarm feature provides temperature information in the event of a power outage.
- Power outage: During a power outage, if the temperatures in the refrigerator and freezer compartments exceed normal operating temperatures, the highest temperature reached will be displayed.

Door Alarm

- The Door Alarm feature sounds a chime every few seconds when the refrigerator door has been left open for 5 continuous minutes.
- The chime will sound until the door is closed or Door Alarm is turned off.
- Press the Door Alarm touch pad to turn this feature on or off.
- The indicator light will be lit when the Door Alarm feature is on.

Max Cool

- The Max Cool feature assists with periods of high refrigerator use, full grocery loads, or temporarily warm room temperatures.
- Press Max Cool to set the freezer and refrigerator to the lowest temperature settings. Press Max Cool again to return to the normal refrigerator set point.

NOTE:

- The Max Cool feature will automatically shut off in approximately 12 hours.

Water Dispenser

Water Supply Requirements

- Gather the required tools and parts before starting installation.
- Read and follow the instructions provided with any tools listed here.

Water Pressure

- A cold water supply with water pressure of between 30 and 120 psi (207 and 827 kPa) is required to operate the water dispenser and ice maker. If you have questions about your water pressure, call a licensed, qualified plumber.
- If your refrigerator has a water dispenser: After installation is complete, use the water dispenser to check the water pressure.
- With the water filter removed, dispense 1 cup (237 mL) of water. If 1 cup of water is dispensed in 8 seconds or less, the water pressure to the refrigerator meets the minimum requirement.
- If it takes longer than 8 seconds to dispense 1 cup of water, the water pressure to the refrigerator is lower than recommended. See “Problem Solver” for suggestions.
- Reverse Osmosis Water Supply IMPORTANT: The pressure of the water supply coming out of a reverse osmosis system going to the water inlet valve of the refrigerator needs to be between 30 and 120 psi (207 and 827 kPa).
- If a reverse osmosis water filtration system is connected to your cold water supply, the water pressure to the reverse osmosis system needs to be a minimum of 40 to 60 psi (276 to 414 kPa).
- If the water pressure to the reverse osmosis system is less than 40 to 60 psi (276 to 414 kPa):
- Check to see whether the sediment filter in the reverse osmosis system is blocked. Replace the filter if necessary.
- Allow the storage tank on the reverse osmosis system to refill after heavy usage.
- If your refrigerator has a water filter, it may further reduce the water pressure when used in conjunction with a reverse osmosis system. Remove the water filter. See “Water Filtration System” in the User Instructions, User Guide, or Use & Care Guide.
- If you have questions about your water pressure, call a licensed, qualified plumber.

Connect Water Supply

- Connect to potable water supply only.
- Plumbing shall be installed in accordance with the International Plumbing Code and any local codes and ordinances.
- The gray water tubing on the back of the refrigerator (which is used to connect to the household water line) is a plastic tube. Copper and plastic tubing connections from the household water line to the refrigerator are acceptable, and will help avoid off-taste or odor in your ice or water. Check for leaks.

TOOLS NEEDED:

- Gather the required tools and parts before starting installation.

- Flat-blade screwdriver
- 7/16" and 1/2" open-end wrenches or two adjustable wrenches
- 1/4" nut driver

Connect to Water Line

- If you turn the refrigerator on before the water line is connected, turn the ice maker OFF.

Style 1 (Recommended)

1. Unplug refrigerator or disconnect power.
2. Turn OFF main water supply. Turn ON nearest faucet long
3. Use a quarter-turn shutoff valve or the equivalent, served by a 1/2" copper household supply line.

NOTE:

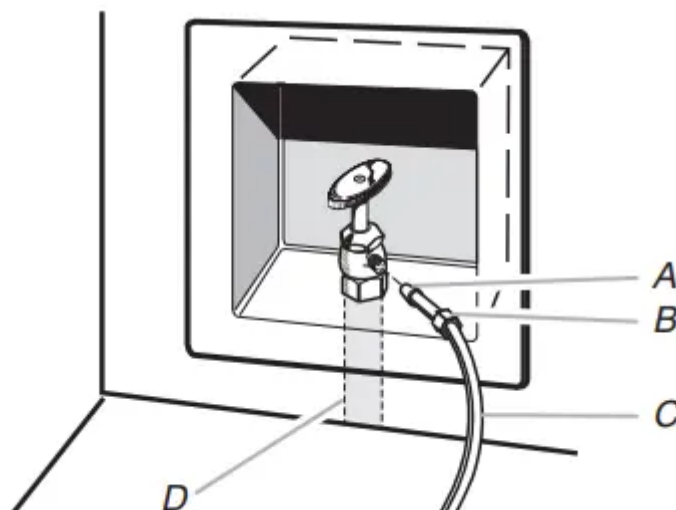
- To allow sufficient water flow to the refrigerator, a minimum 1/2" size copper household supply line is recommended.

4. Now you are ready to connect the copper tubing to the

- Ensure that you have the proper length needed for the job.
- Be sure both ends of the copper tubing are cut square.
- Slip compression sleeve and compression nut onto copper tubing as shown. Insert end of tubing into outlet end squarely as far as it will go. Screw compression nut onto outlet end with adjustable wrench. Do not overtighten.

5. Place the free end of the tubing into a container or sink, and

- Do not use with water that is microbiologically unsafe or of unknown quality without adequate disinfection before or after the system. Systems certified for cyst reduction may be used on disinfected waters that may contain filterable cysts



A. Bulb B. Nut

C. Copper tubing (to refrigerator)

D. Household supply line (½" minimum)

A. Compression sleeve B. Compression nut

6. Bend the copper tubing to meet the water line inlet. which

Water Filtration System

Make sure it is a cold water pipe.

- Horizontal pipe will work. but drill on the top side of the pipe. not the bottom. This will help keep water away from the drill and normal sediment from collecting in the valve.
- Determine the length of copper tubing you need. Measure
- Using a cordless drill. drill a 1/4" (6.35 mm) hole in the cold
- Fasten the shutoff valve to the cold water pipe with the pipe
- Slip the compression sleeve and compression nut on
- Place the free end of the tubing in a container or sink. and

Connect to Refrigerator

1. Style 1 1. Unplug refrigerator or disconnect power.
2. Remove and discard the short. black plastic part from the end
3. Thread the nut onto the end of the tubing. Tighten the nut by
4. Install the water supply tube clamp around the water supply
5. Turn shutoff valve ON.
6. Check for leaks. Tighten any connections (including

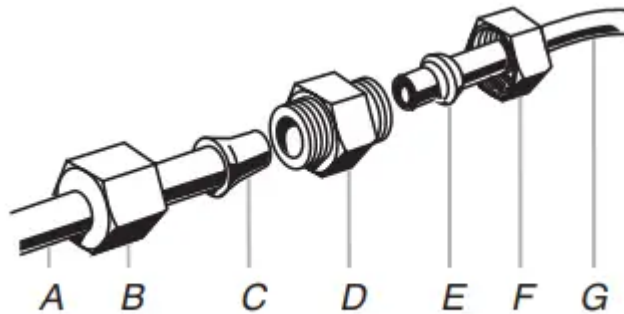
Style 2

1. Unplug refrigerator or disconnect power.
2. Remove and discard the plastic part that is attached to the
3. Attach the copper tube to the valve inlet using a compression
4. Use the tube clamp on the back of the refrigerator to secure
5. Turn shutoff valve ON.
6. Check for leaks. Tighten any connections (including

7. On some models. the ice maker is equipped with a built-in

Style 3

1. Unplug refrigerator or disconnect power.
2. Remove and discard the black nylon plug from the gray water



- A. Cold water pipe B. Pipe clamp C. Copper tubing D. Compression nut
E. Compression sleeve F. Shut-off valve G. Packing nut

3. If the gray water tube supplied with the refrigerator is not
4. Turn shutoff valve ON.
5. Check for leaks. Tighten any nuts or connections (including

Complete the Installation

1. Plug into a grounded 3 prong outlet.
2. Flush the water system. See “Water and Ice Dispensers” in

NOTE: Allow 24 hours to produce the first batch of ice. Allow 72 hours to completely fill ice container.

Cleaning

- Both the refrigerator and freezer sections defrost automatically.
- However, clean both sections about once a month to avoid buildup of odors. Wipe up spills immediately.

To Clean Your Refrigerator:

1. Unplug refrigerator or disconnect power.
2. Hand wash, rinse, and dry removable parts and interior surfaces thoroughly. Use a clean sponge or soft cloth and a mild detergent in warm water.
3. Clean the exterior surfaces. Painted metal: Wash painted metal exteriors with a clean, soft cloth or sponge and a mild detergent in warm water. Rinse surfaces with clean, warm water and dry immediately to avoid water spots. Stainless steel: Wash stainless steel surfaces with a clean, soft cloth or sponge and a mild detergent in warm water. Rinse surfaces with clean, warm water and dry immediately to avoid water spots.

4. There is no need for routine condenser cleaning in normal home operating environments. If the environment is particularly greasy or dusty, or there is significant pet traffic in the home, the condenser should be cleaned every 2 to 3 months to ensure maximum efficiency.

NOTE:

- Do not use abrasive or harsh cleaners such as window sprays, scouring cleansers, flammable fluids, muriatic acid, cleaning waxes, concentrated detergents, bleaches or cleansers containing petroleum products on exterior surfaces (doors and cabinet), plastic parts, interior and door liners or gaskets.
- Do not use paper towels, scouring pads, or other harsh cleaning tools.

IMPORTANT:

- Because air circulates between both sections. any odors formed in one section will transfer to the other. You must thoroughly clean both sections to eliminate odors. To avoid odor transfer and drying out of food. wrap or cover foods tightly.

Remove the base grille.

See the "Door Removal" instructions. either in the User Instructions or the Installation Instructions and Owner's Manual. or in the separate instruction sheet provided with your refrigerator.

Use a vacuum cleaner with a soft brush to clean the grille. the open areas behind the grille and the front surface area of the condenser.

Replace the base grille when finished.

5. Plug in refrigerator or reconnect power.

LED Bulbs

- Incandescent Bulbs
- Or a combination of the above.
- If a Sealed LED Module(s) do not illuminate when the refrigerator and/or freezer door is opened. call whirlpool service for technical support. (See User Guide).
- See "Warranty" for contact information.
- IF a LED Bulb or incandescent bulb does not turn ON when the refrigerator and/or freezer door is opened. replace with a bulb recommended by Whirlpool and following the next procedure:

1. Unplug refrigerator or disconnect power.
2. Remove light cover (in some models)

NOTE:

- To clean the light cover. follow the instructions in REFRIGERATOR CARE section.

3. Remove light bulb and replace with one of the same size.

4. Reinstall light cover (in some models).
5. Plug in refrigerator or reconnect power.

NOTE: Not all appliance bulbs will fit your refrigerator. Be sure to replace the bulb with one of the same size and shape. On some models, the interior lights require a 40 W bulb max.

Vacation and Moving Care

1. Use up any perishables and freeze other items.
2. If your refrigerator has an automatic ice maker and is
3. If you have an automatic ice maker, turn off the ice maker.

NOTE:

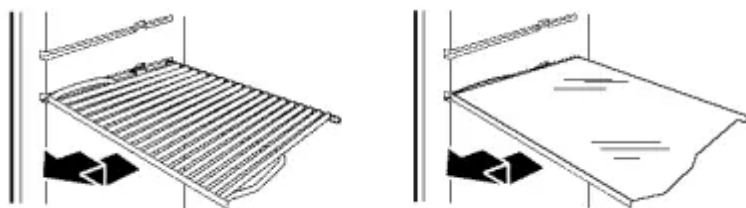
- Depending on your model, raise the wire shutoff arm to OFF (up) position or press the switch to OFF (right).

4. Empty the ice bin.

FREEZER SHELF

To Remove and Replace the Bottom Shelf:

1. Lift up the front and back of the shelf, and remove from the
2. Replace the shelf aligning the rods with the cabinet ribs.
 - Apply a little pressure on the shelf to attach the rods to the ribs of the cabinet.
 - To Remove and Replace the Mid and Top Shelf: 1. With your hand, push the shelf from bottom to top until it is



TROUBLESHOOTING .

Refrigerator will not operate

- Not connected to an electrical supply - Plug the power cord into a grounded 3 prong outlet. Do not use an extension cord.
- No power to the electrical outlet - Plug in a lamp to see if the outlet is working.

- Household fuse has blown or circuit breaker has tripped - Replace the fuse or reset the circuit breaker. If the problem continues, contact a licensed electrician.

New installation

- Following installation, allow 24 hours for the refrigerator and freezer to cool completely. NOTE: Adjusting the temperature control(s) to the coldest setting will not cool either compartment (refrigerator or freezer) more quickly.

Motor seems to run too much

- Your new refrigerator has an energy-efficient motor
- The refrigerator may run longer than you're used to, because the compressor and fans operate at lower speeds that are more energyefficient. This is normal.

NOTE:

- Your refrigerator may run even longer if the room is warm, a large load of food is added, the doors are opened often, or if a door has been left open.

Refrigerator seems noisy

- The compressor in your new refrigerator regulates temperature more efficiently and uses less energy than older models. During various stages of operation, you may hear normal operating sounds that are unfamiliar. The following noises are normal:
- Buzzing/Clicking - Heard when the water valve opens and closes to dispense water or fill the ice maker. If the refrigerator is connected to a water line, this is normal. If the refrigerator is not connected to a water line, turn off the ice maker.
- Cracking/Crashing - Heard when ice is ejected from the ice maker mold.
- Popping - Heard when the inside walls contract/expand, especially during initial cooldown.
- Pulsating/Whirring - Heard when the fans/compressor adjust to optimize performance during normal operation.
- Rattling - Heard when water passes through the water line, or due to the flow of refrigerant. Rattling may also come from items placed on top of the refrigerator.
- Water running or gurgling - Heard when ice melts during the defrost cycle and water runs into the drain pan. Sizzling - Heard when water drips onto the heater during the defrost cycle.

Temperature is too warm

- New installation - Following installation, allow 24 hours for the refrigerator and freezer to cool completely.

NOTE:

Adjusting the temperature control(s) to the coldest setting will not cool either compartment (refrigerator or freezer) more quickly.

- Doors are opened often or not closed completely - This allows warm air to enter the refrigerator. Minimize door openings, keep the doors fully closed, and make sure both doors are properly sealed.
- Air vents are blocked - Remove items that are immediately in front of the vents.
- Large amount of warm food recently added - Allow several hours for the refrigerator to return to its normal temperature.
- Controls are not set correctly for the surrounding conditions - Adjust the controls to a colder setting. Check the temperature again in 24 hours.

Temperature is too cold

- Controls are not set correctly for the surrounding conditions - Adjust the controls to a warmer setting. Check the temperature again in 24 hours.
- Top refrigerator shelf is colder than lower shelves - On some models, air from the freezer enters the refrigerator compartment through vents near the top refrigerator shelf. As a result, the top shelf can be slightly colder than lower shelves.
- Air vents are blocked - Remove items that are immediately in front of the vents.
- Interior moisture buildup NOTE: Some moisture buildup is normal. Clean with a soft dry cloth.
- Room is humid - A humid environment contributes to moisture buildup. Use the refrigerator only in an indoor location, with as little humidity as possible.
- Doors are opened often or not closed completely - This allows humid air to enter the refrigerator. Minimize door openings, keep the doors fully closed, and make sure both doors are properly sealed.

Interior lights do not work

- Doors have been open for an extended period of time - Close the doors to reset the lights.
- Light bulb is loose in the socket or has burned out - On models with incandescent interior light bulbs, tighten or replace the bulb. See the "Lights" section.

NOTE:

- On models with mini LED lights, call for assistance or service if the interior lights do not illuminate when either door is opened. See the Warranty in the User Instructions or User Guide for contact information.

Dispenser lights do not work on some models)

- Dispenser light is turned off - On some models, if the dispenser light is set to OFF, the light will turn on only when a dispenser pad/lever is pressed. If you want the dispenser light to stay on continuously, select a different setting. See “Water and Ice Dispensers” in the User Instructions or User Guide.
- Dispenser light is set to AUTO or NIGHT LIGHT - On some models, if the dispenser light is set to AUTO or NIGHT LIGHT, make sure the dispenser light sensor is not blocked. See “Water and
- Ice Dispensers” in the User Instructions or User Guide.

NOTE:

- On models with mini LED lights, call for assistance or service if the dispenser lights do not

Cleaning your refrigerator

- Unplug refrigerator or disconnect power.
- Remove all removable parts from inside. such as shelves. crispers. etc.
- Hand wash. rinse. and dry removable parts and interior surfaces thoroughly.
- Use a clean sponge or soft cloth and a mild detergent in warm water. Do not use abrasive or harsh cleaners such as window sprays. scouring cleansers. flammable fluids. cleaning waxes. concentrated detergents. bleaches or cleansers containing petroleum products on plastic parts. interior and door liners or gaskets.
- Do not use paper towels. scouring pads. or other harsh cleaning tools. These can scratch or damage materials.
- Wash stainless steel and painted metal exteriors with a clean sponge or soft cloth and a mild detergent in warm water. Do not use abrasive or harsh cleaners.
- Dry thoroughly with a soft cloth. For additional protection against damage to painted metal exteriors. apply appliance wax (or auto paste wax) with a clean. soft cloth. Do not wax plastic parts.
- NOTE: To keep your Stainless Steel refrigerator looking like new and to remove minor scuffs or marks. it is suggested that you use the manufacturer's approved Stainless Steel Cleaner & Polish.
- IMPORTANT: This cleaner is for Stainless Steel parts only!
- Do not allow the Stainless Steel Cleaner & Polish to come into contact with any plastic parts such as the trim pieces. dispenser covers or door gaskets. If accidental contact does occur. clean plastic part with a sponge and mild detergent in warm water. Dry thoroughly with a soft cloth. To order the cleaner. see the "Accessories" section.

- Clean the condenser coils regularly. Coils may need to be cleaned as often as every other month. This may help save energy. Pull refrigerator out away from the wall (see the "Unpacking" section).

Vacuum coils when they are dusty or dirty.

1. Roll refrigerator back into place. Make sure to leave 1 in. (2.5 cm) between the cabinet back and the wall.
2. Check to see that the refrigerator is level.
3. Plug in refrigerator or reconnect power.

NOTE:

- Not all appliance bulbs will fit your refrigerator.
- Be sure to replace the bulb with one of the same size, shape, and wattage.

The ice maker is not producing ice or not enough ice

- Refrigerator connected to a water supply and the supply shutoff valve turned on? Connect refrigerator to water supply and turn water shutoff valve fully open.
- Kink in the water source line? A kink in the line can reduce water flow. Straighten the water source line.
- Ice maker turned on? Make sure wire shutoff arm or switch (depending on model) is in the ON position.
- New installation? Wait 24 hours after ice maker installation for ice production to begin. Wait 72 hours for full ice production.
- Freezer door closed completely? Firmly close the freezer compartment door. If the freezer compartment door will not close all the way, see "The doors will not close completely," earlier in this section.

The water dispenser will not operate properly

1. Refrigerator connected to a water supply and the supply shutoff valve turned on? Connect refrigerator to water supply and turn water shutoff valve fully open.
2. Kink in the water source line? Straighten the water source line.
3. New installation? Flush and fill the water system. See "Water Dispenser."
4. Is the water pressure at least 35 psi (241 kPa)? The water pressure to the home determines the flow from the dispenser. See "Water Supply Requirements."
5. Water filter installed on the refrigerator? Remove filter and operate dispenser. If water flow increases, the filter may be clogged or incorrectly installed. Replace filter or reinstall it correctly.

Warning

This content is compiled from multiple sources and is provided for reference purposes only. It may not be complete or fully applicable to all situations. If you are unable to resolve your issue, please contact the product manufacturer or an authorized service provider for official support.

Document generated by [ManualsFile](#)

