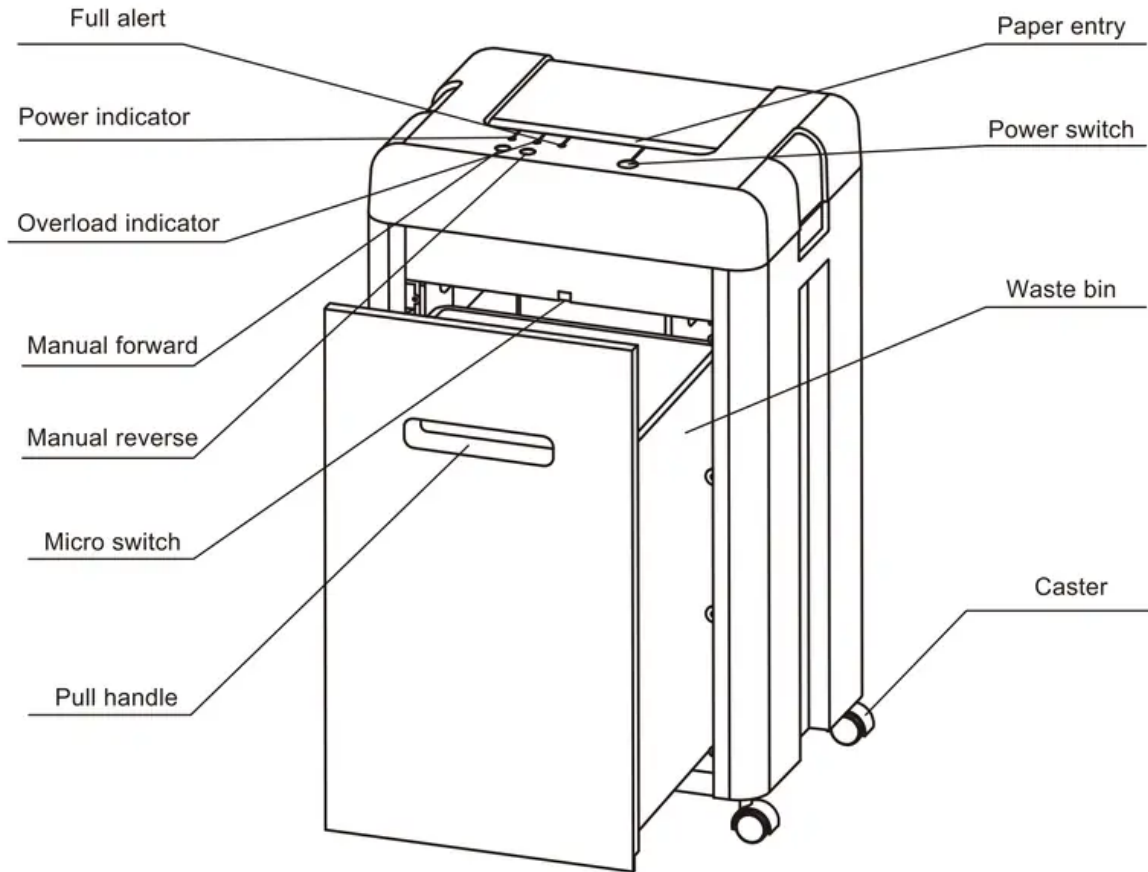


## OPERATION INSTRUCTION



The rated shredder capacity of this machine is A4 75g paper. Please refer to the instruction insert for the specific sheet capacity.

**CD safe:** Yes

**Credit card safe:** Yes

**Paper clip/staple/pin safe:** Yes

**Bin-full alarm:** The machine will be shut down and alarm buzzer when the bin is almost full.

**Auto forward:** Turn on the machine for ready, the paper will be shredded automatically on the entry.

**Auto reverse:** The paper will reverse automatically when the machine is overloaded. Please reduce the sheets to make it work normally.

**Manual forward:** When the papers are jammed a little at the entry, press the manual forward button to shred by force.

**Manual reverse:** When the papers are fed too much, press the manual reverse button to pull the paper out.

**Thermal protection:** The machine will stop automatically when it's overheated. And it will return to work after cooling for 30-60 minutes.

## RECYCLING

Please dispose of the waste electric products and packing materials correctly which helps the environment protection, reduces health of human and improves resource reuse.

## TROUBLESHOOTING

Error	Analysis	Troubleshooting
Machine is not functioning	Power is disconnected or not plugged in well.	Check power cord and plug it in well.
	Waste bin position not properly.	Adjust waste bin position properly.
	Motor overheating.	Wait for machine to cool down.
	Overload has not been released or paper jammed.	Press manual reverse to release excess paper and reduce shredding sheets.
	Paper inserted is too transparent.	Attach another piece of paper or fold the transparent paper several times.
Cutter will not stop rotating	Paper pieces or unusual objects in the middle of paper entrance.	Clear paper entrance.
Loud Noise	Surface is uneven or machine is not place properly	Adjust machine position.

## SPECIFICATION

<b>SD9520 Specification</b>	
Power	120V, 60Hz
Sheet Capacity	15 Sheets (75g)
Cut Type	Micro Cut
Cut Size	3/32 " x 13/32 " (2mm x 10mm)
Security Level	P-5
Shred Speed	12.5 ft/min (3.8m/min)
Max. Continuous Working Time	15 min
Noise Level	≤56dB
Waste Bin Capacity	8 Gallons (30 Liter)
Feed Entrance Width	9.4 " (240mm)
Product Dimension	15.8 " x 12.2 " x 26.1 "
Product Weight	48lbs

## WARNING

**ALWAYS** confirm the power cord, voltage and power come up to the standard of the product requirement before using.

**ALWAYS** keep out of the reach of children.

**DO NOT** place or insert finger into opening slot as serious injury could occur.

**AVOID** getting jewelry, hair or loose clothing too close to opening slot as serious injury could occur.

**DO NOT** attempt to shred materials other than paper, credit cards and CDs.

**DO NOT** attempt to feed more sheets of paper than specified.

**ALWAYS** turn shredder off and unplugged when not using it for a long time.

**ALWAYS** keep shredder away water or heat source.

**ALWAYS** turn shredder off and unplugged before cleaning the cover.

**DO NOT** use flammable synthetic oil, petroleum-based or aerosol products of any kind on shredder.

**DO NOT** attempt to repair shredder yourself.

The plug must be connected to a socket-outlet with ground connection

This equipment is not intended for use by children. Avoid touching the media feed opening with the hands, clothing or hair

This equipment is not suitable for use in locations where children are likely to be present.



WARNING



NO CHILDREN



NO FINGERS



CAUTION  
SHARP EDGES



NO AEROSOL  
PRODUCTS



NO HAIR



NO LOOSE  
CLOTHING



READ USER  
MANUAL



15 SHEETS



1 COMPACT DISC



1 CARD



Moving parts

### Warning

This content is compiled from multiple sources and is provided for reference purposes only. It may not be complete or fully applicable to all situations. If you are unable to resolve your issue, please contact the product manufacturer or an authorized service provider for official support.