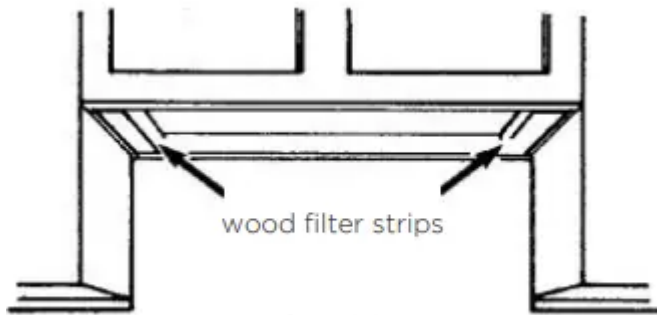
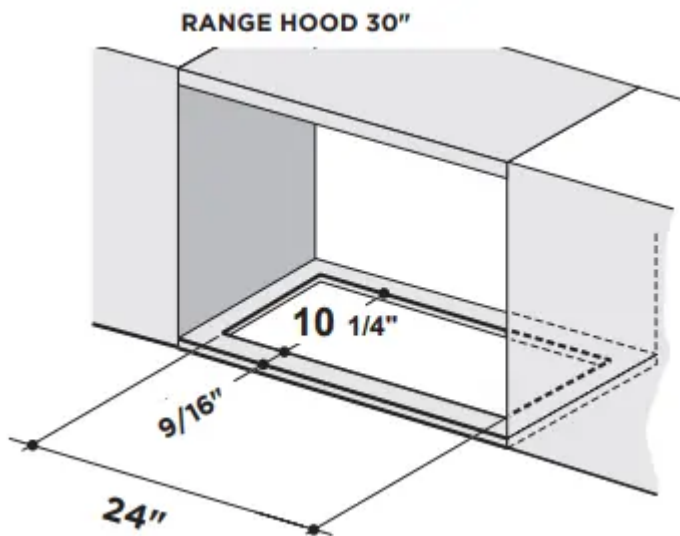


ATTACHING THE HOOD TO THE CABINET

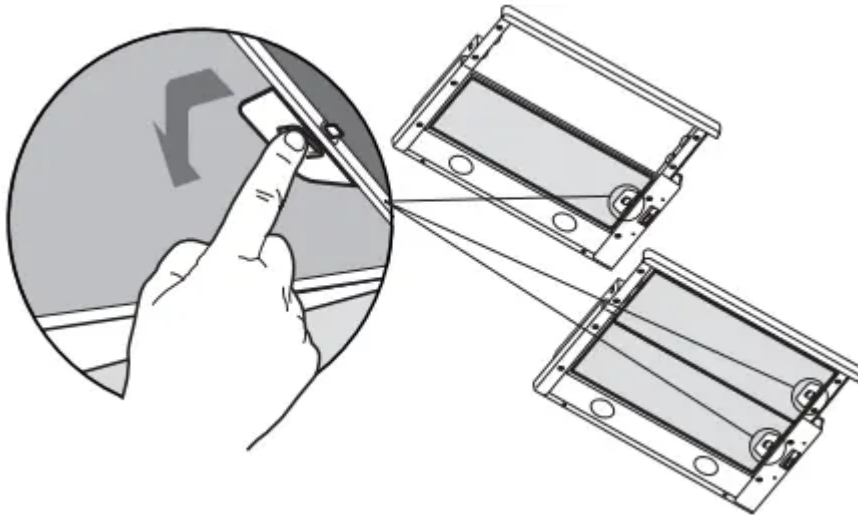
1. The Hood can be installed directly on the underside of the cabinet.
2. If the cabinet bottom is recessed, wood blocks need to be installed to insure proper alignment with the cabinet bottom. Wood blocks should be flush or recessed $1/16''$ to $1/8''$ within the cabinet bottom as shown.



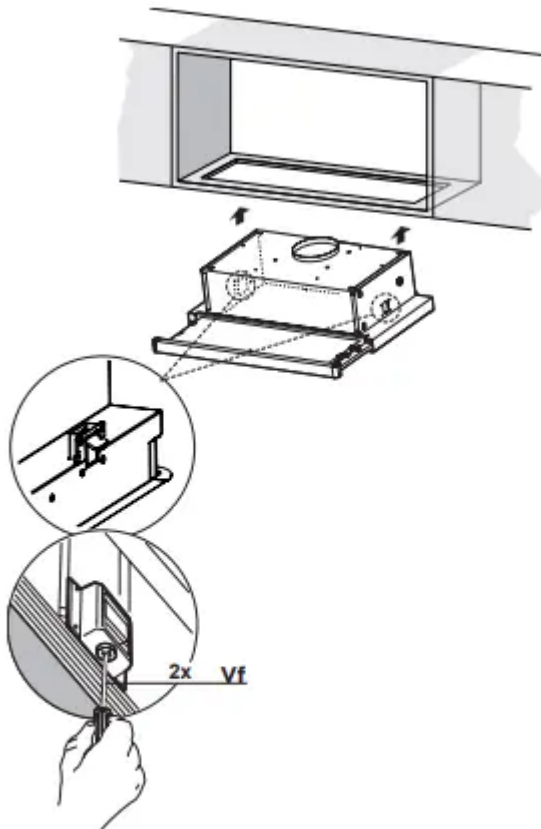
3. Create a cut out in the bottom of the cabinet as shown in the illustration.



4. Remove the grease filters by pushing the release tab towards the side of hood.

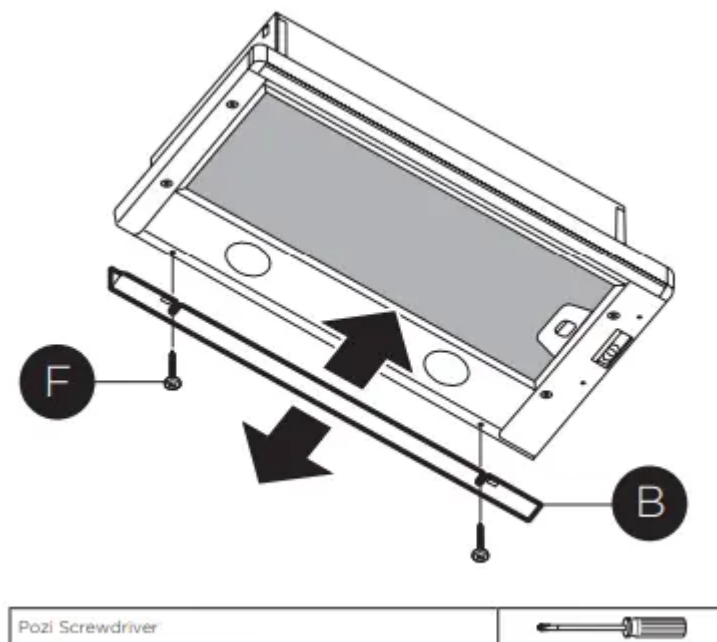


5. Insert the hood in the cut out until the side installation clips snap into place. Lock the hood into position by tightening the 2 screws **Vf** from underneath.



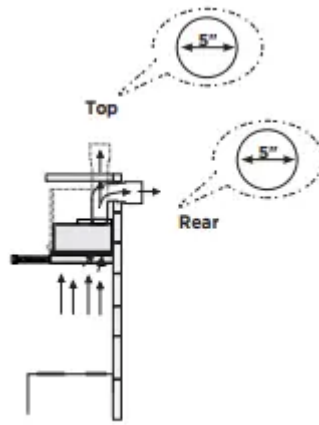
INSTALL THE REAR TRIM STRIP

A rear trim strip B is included to cover the underside of any remaining exposed cabinet. Attach the vinyl strip to the bottom of the back of the rangehood with the two screws F provided.

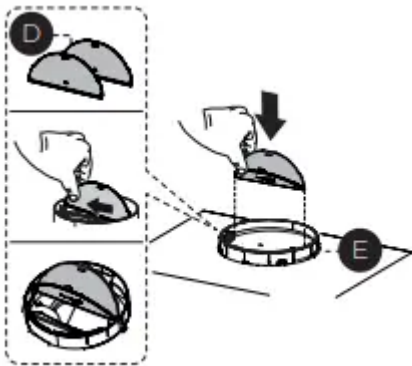


CHOOSING VENTING METHOD

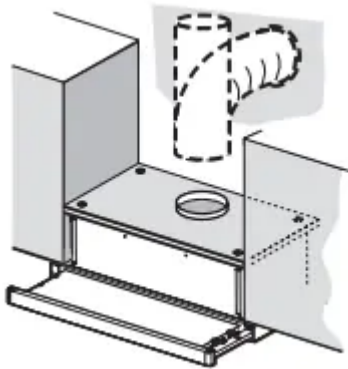
Option 1: REAR OR TOP VENTED



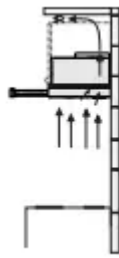
1. Install the Metal damper ring E included with the Hood. Then install the damper flaps D by snapping the tabs into place inside the top of the hood before connecting ductwork.



2. Install Roof or Wall Cap purchased separately. Connect the 5" metal ductwork to the Roof or Wall Cap and then attach ductwork. Seal with foil tape.

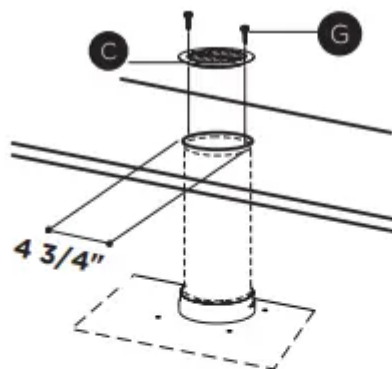


Option 2: RECIRCULATING



Requires purchase of
Activated Charcoal
Accessory kit.

1. For Non-Ducted Recirculation venting route the ductwork to a location above the hood where the discharge is vented back into the room. Use the included Recirculation Vent Grill C to cover the opening. Secure the grill with the 2 screws G provided in the Install Kit. A straight 5" round duct that is at least 15" in length should be used to lead air from the top of the hood exhaust outlet to the exit of the cabinet above.



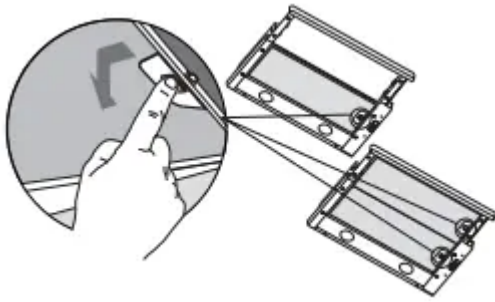
CLEANING STAINLESS STEEL

- Cleaning Exterior surfaces: Please note, abrasives and scouring agents can scratch range hood finishes and should not be used to clean finished surfaces.
- Stainless Steel finish cleaning instructions: Clean exterior surfaces with a commercially available stainless steel cleaner.

CARING FOR FILTERS

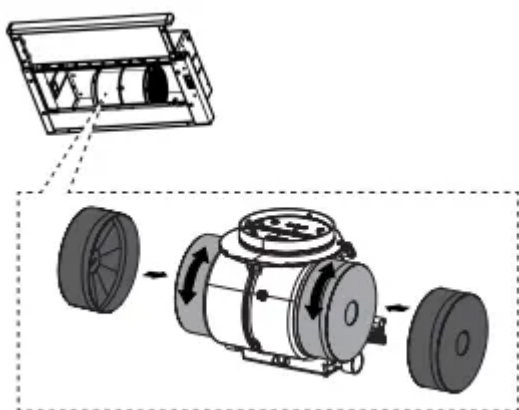
CLEANING METAL GREASE FILTERS - The metal grease filters can be cleaned in hot detergent solution or washed in the dishwasher. They should be cleaned every 2 months use, or more frequently if use is particularly heavy.

1. Pull out the sliding suction panel.
2. Remove the grease filters by pushing the release tab towards the side of hood.
3. Wash the filter without bending it, leave it to dry thoroughly before replacing (if the surface of the filter changes color over time, this will have absolutely no effect on its efficiency).
4. Replace, taking care to ensure that the handle faces forward.
5. Cleaning in dishwasher may dull the finish of the metal grease filter.
6. Close the sliding suction panel.
7. Completely dry the filters before installing back into the hood. No water should be trapped in the filter before reinstalling.



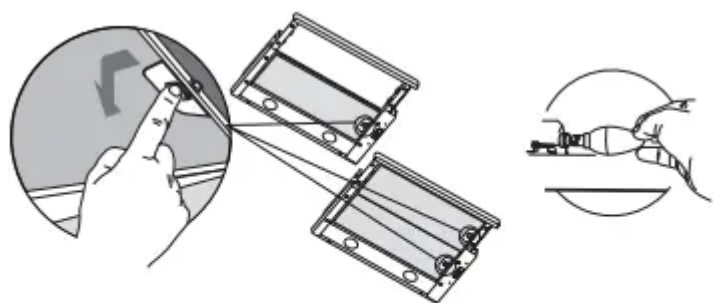
REPLACING THE ACTIVATED CHARCOAL FILTER - The Activated Charcoal Filters (FILTER7) are not washable and cannot be regenerated, and must be replaced approximately every 4 months of operation, or more frequently with heavy usage.

1. Pull out the sliding suction panel.
2. Remove the grease filters by pushing the release tab towards the side of hood.
3. Remove the saturated carbon filter by releasing the fixing hooks.
4. Fit the new filter by hooking it into its seating.
5. Replace the filter, taking care to ensure that the handle faces forwards.
6. Close the sliding suction panel.



REPLACING BULBS

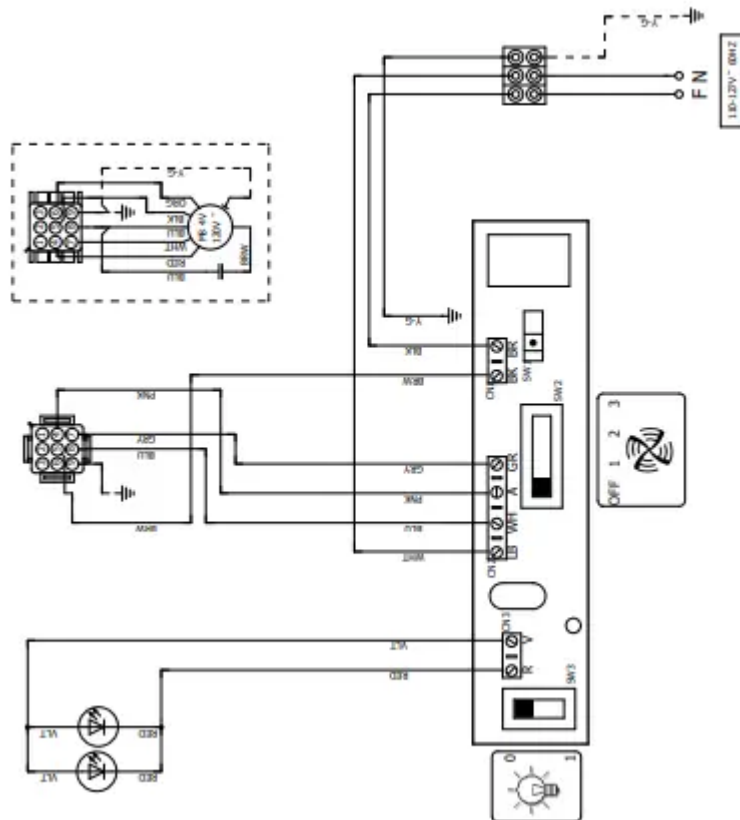
1. Pull out the sliding suction panel.
2. Remove the filter.
3. Replace the lamp with a new one of the same type.
4. Replace the grease filters.



E12 self-ballasted led lamps –
listed in accordance with ul 1993/
nmxj-578/1-ance/ csa c22.2 No.
1993



WIRING DIAGRAM



Warning

This content is compiled from multiple sources and is provided for reference purposes only. It may not be complete or fully applicable to all situations. If you are unable to resolve your issue, please contact the product manufacturer or an authorized service provider for official support.

