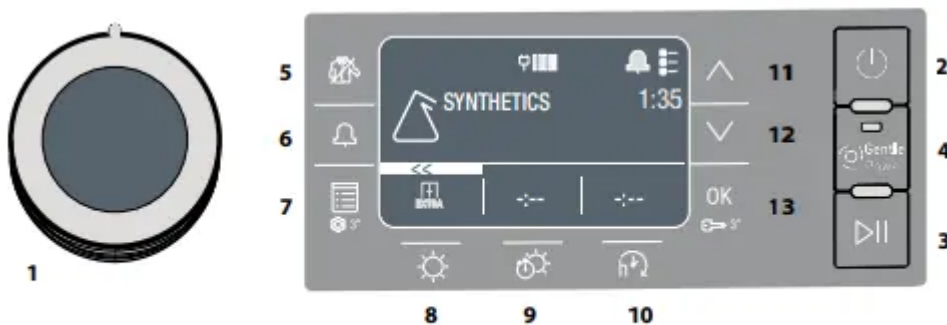


CONTROL PANEL

1. Programme selection knob
2. On/Off button
3. Start/Pause button
4. Gentle Power
5. Crease Care
6. Cycle End Signal
7. Cycle Options (hold for Settings)
8. Dryness Level
9. Timed Drying
10. Start Delay
11. UP
12. DOWN
13. CONFIRM OK (hold for Key Lock)



DAILY USE

DAILY USE Doing this will keep your machine working at its BEST

- remember to empty your water tank after each drying cycle.
- remember to clean your filters after each drying cycle.

Refer to the Care & Maintenance section.

1. Plug the dryer into the power supply socket
2. Open the door and load garments; always refer to instructions on clothing labels and the max loads indicated in the programme section. Empty pockets. Make sure garments do

not get caught between the door and/or the door filter. Do not load items that are dripping wet. Do not tumble dry large, very bulky items.

3. Close the door.
4. Press the "On/Off" button
5. Select the most suitable programme for the type of fabric in that load.
6. Select the options, if necessary.
7. Press the "Start/Pause" button to begin drying.
8. At the end of the drying cycle, a buzzer will beep. An indicator on the control panel signals the end of the cycle. Pull the load out immediately to prevent the formation of creases on laundry.
9. Turn the machine off by pressing the "On/Off" button, open the door and pull the clothing out. If the machine is not switched off manually, after about a quarter of an hour from the end of the cycle, the appliance turns off automatically to save energy. Note that some programme/option accords with "Crease Care" system. This means that for some hours, after the end of the drying cycle, the drum rotates at regular intervals to prevent the formation of creases. In case of power failure, it is necessary to press the "Start/Pause" button to restart the cycle.

OPENING THE DOOR DURING THE CYCLE

Laundry can be checked while the drying cycle runs and any garments already dry can be removed, while drying continues for the remaining items. After closing the door, press the "Start/Pause" button to resume machine operation. Keep the door closed until the cycle end to save time and energy

CARE AND MAINTENANCE

WARNING: unplug the dryer during the cleaning and maintenance procedures

- **Emptying the water tank after each cycle (see fig. A).** Pull the container out of the dryer and empty it into a sink or other suitable drain, then place it back properly. Do not use the dryer without having inserted the container back in place.
- **Cleaning the primary door filter after each cycle (see fig. B).** Pull the primary door filter out and clean it by removing the lint from the filter surface under running water or using a vacuum cleaner.
- **Cleaning the secondary door filter when the relevant indicator turns on (see fig. C).** Pull the secondary door filter out and clean it in all its parts by washing it under running water or using a vacuum cleaner.

- **Clogged filters - clean both door filters (see fig. B, fig. C).** For optimal performance, dry the filters before inserting them back in place. Do not use the dryer without having inserted all filters back in place properly first. The filters are essential parts for drying. They are intended to collect the lint formed during the drying process. In case of clogged filters, the air flow inside the dryer would be seriously affected: the drying time would be longer, the energy consumption would increase and the dryer could be damaged. If these procedures are not carried out properly, the dryer may not start.
- **Autoclean :** The maintenance of the bottom filter of this model is automatic. The dryer carries out cleaning when the sensors signal the need to do so. In this case, the machine goes on working even when the drying cycle is completed. An indicator on the control panel will signal the maintenance. **Do not switch the machine off during this phase.**
- **Cleaning the tumble dryer**
 1. The external metal, plastic and rubber parts can be cleaned with a damp cloth.
 2. Clean the front air intake grille regularly (every 6 months) with a vacuum cleaner to remove any lint, fluff or dust deposits. Furthermore, remove any lint deposits from the filters area, using a vacuum cleaner every so often.
 3. Do not use solvents or abrasives.

TRANSPORT AND HANDLING

Never lift the dryer by holding on to its top side

1. Unplug the dryer
2. Remove the water from the water tank completely.
3. Make sure that door and water tank are properly closed.

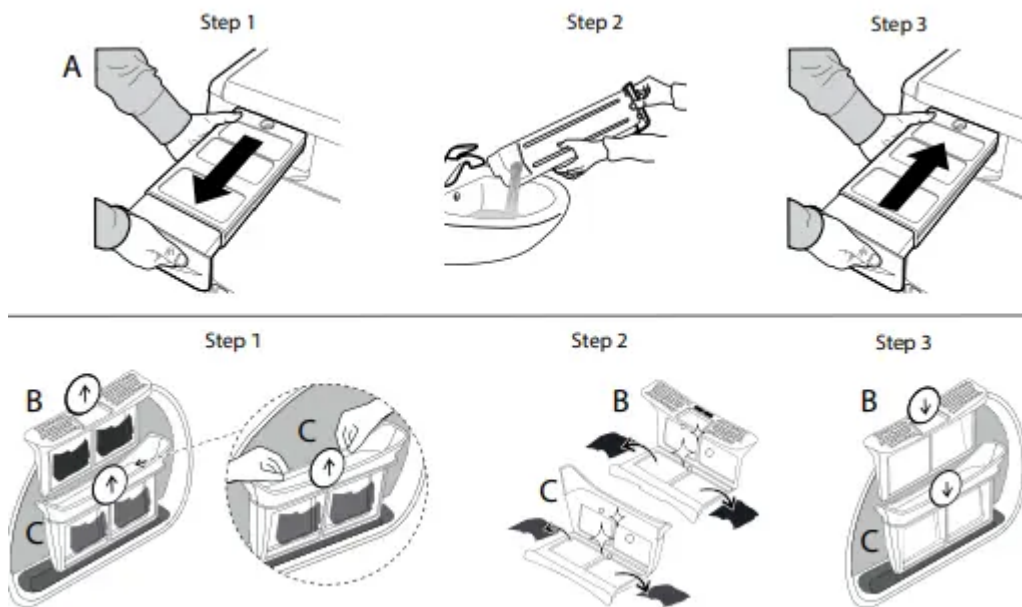
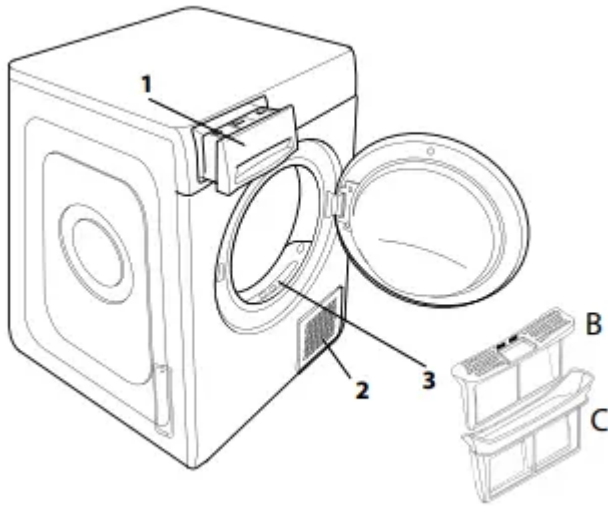
Power consumption			
off-mode (Po) - Watts			0.33
left-on mode (Pl) - Watts			2.00
Programmes	kg	kWh	Minutes
Eco Cotton * ◁	9	1.64	210
Eco Cotton ◁	4.5	0.86	120
Synthetics	4	0.50	78
*This is the reference programme for the energy label and suitable to dry normal wet cotton laundry. This is the most efficient programme in terms of energy consumption for drying wet cotton laundry. (Standard/Default starting configuration)			

Heat Pump System

The heat pump contains fluorinated greenhouse gases, contained in a hermetically sealed unit. This sealed unit contains 0.43 kg of the F gas R134a. GWP = 1430 (1 t CO₂).

PRODUCT DESCRIPTION

1. Water Tank (A)
2. Air Intake grille
3. Door filter: primary (B), secondary (C)



TROUBLESHOOTING

Before contacting the After-sales Service, refer to the table below. Often the malfunctions are minor and can be solved in few minutes.

The tumble dryer does not turn on.

- The plug is not inserted into the socket. -> Insert the plug into the socket
- The plug is faulty -> Try to plug another appliance in the same socket. Do not use connecting electrical devices to the socket, such as adapters or extensions.
- A power failure occurred. -> Wait for the power supply to be restored and switch the fuse on again if necessary.

The tumble dryer does not start.

- The door has not been closed properly. -> Close the door.
- A time delay was set to the start of the cycle. -> For machines equipped with this function: wait for the set delay to end or switch the machine off to reset it. Refer to the Options section
- The "Start/Pause" button was not pressed in order to start the programme. -> Press the "Start/Pause" button
- The Key Lock function was enabled (for machines equipped with this option). -> Refer to the Options section. If Key Lock was selected, disable it. Switching the machine off will not disable this option.

Garments are wet at cycle completion.

- Small load.-> The automatic programme has not sensed the required final moisture so that the dryer completes the programme and stops. If this happens simply select an additional short period of drying or select Extra Dry option if available.
- Large loads or heavier fabrics. -> Dryness levels can be modified to the specific dryness desired. Extra Dry is recommended for ready to wear items.

The drying times are very long.

- An appropriate maintenance was not carried out. -> Refer to the Care & Maintenance section and perform the operations described.
- The programme, the time and/or the drying level set are not suitable for the type and the amount of load inserted into the dryer. -> Refer to Programmes and Options sections to find the programme and options most suitable for the type of load..
- The garments are too wet. -> Carry out a washing cycle with higher spin speed to remove as much water as possible.
- The dryer may be overloaded. -> Refer to the Programmes section to check the max load for each programme.
- Room temperature. -> The drying time may be longer if the room temperature falls outside the 14–30°C range.

The programme did not end

- A power failure occurred might have occurred. -> In case of power failure, it is necessary to press the "Start/Pause" button to restart the cycle

Lights on or flashing

Water tank

- The water tank is full -> Empty the water tank. Refer to the Care & Maintenance section

Door filter

- Failure of the airflow necessary for machine operation. ->Clean the door filter and check whether air intake is free. Carrying out these operations improperly may cause damages. Refer to Care & Maintenance section.

Bottom filter

- The bottom filter requires cleaning. -> Clean the bottom filter. Refer to Care & Maintenance section

DEMO The cycle lasts few minutes.

- The dryer is in DEMO mode. The DEMO indicator is on. ->Disable the DEMO mode. The following actions must be carried out in sequence, without breaks. Switch the machine on and then switch it off again. Press the "Start/Pause" button until the buzzer is heard. Switch the machine on again. The machine signals that the function was disabled.

The presence of wrench symbol signals a malfunction

- The machine sensors detected a failure -> Switch the dryer off and unplug it. Open the door immediately and pull laundry out, to allow the heat to dissipate. Wait for about 15 minutes. Reconnect the dryer to the power supply, load the laundry and restart the drying cycle. If the problem still occurs, contact the After-Sales Service Centre and communicate the letters and digits flashing on the display. For instance: F3 and E2.

Warning

This content is compiled from multiple sources and is provided for reference purposes only. It may not be complete or fully applicable to all situations. If you are unable to resolve your issue, please contact the product manufacturer or an authorized service provider for official support.