

Features of your new dishwasher

Specification

- Capacity: 14 place settings
- Dimension: 23.89 x 25.6 x 33.74 inches W x D x H)
- Power Supply: 120 volts, 60H z
- Rated power usage: Wash motor 50 W Heater 840 W
- Water Feed Pressure: 20 ~ 120 psi (138 ~ 828kPa)

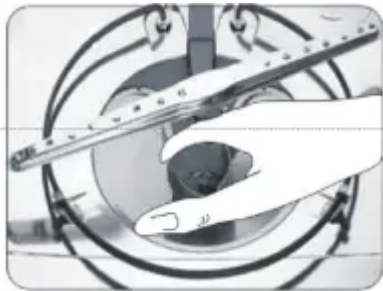


1. Top light
2. Upper Spray Arm
3. Middle Spray Arm
4. Low Spray Arm
5. Detergent Dispenser
6. Rinse Aid Dispenser
7. Top Rack
8. Cup Shelf
9. Adjustable Upper Rack

10. Tub Gasket
11. Silverware Basket
12. Bottom Rack
13. Heating Element

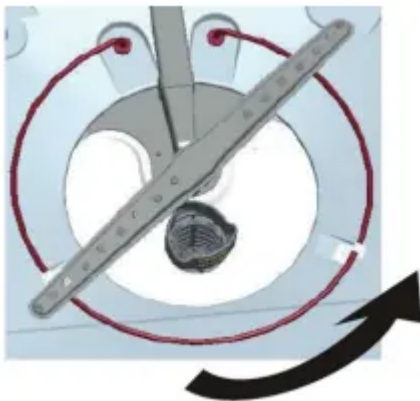
Filter System

Your dishwasher has a multiple Filter System. In the System there are four filter-meshes. It can separate soiled water and clean water in different chambers. The multiple filter system helps your dishwasher to get better performance with less water and less energy.



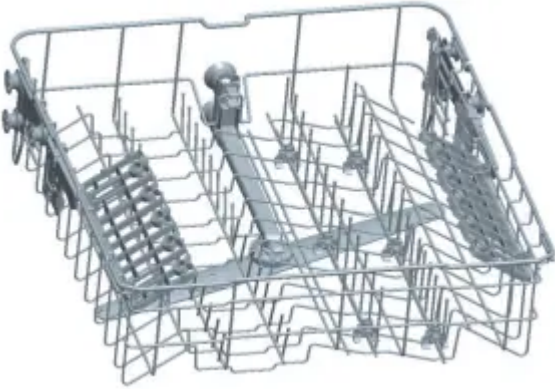
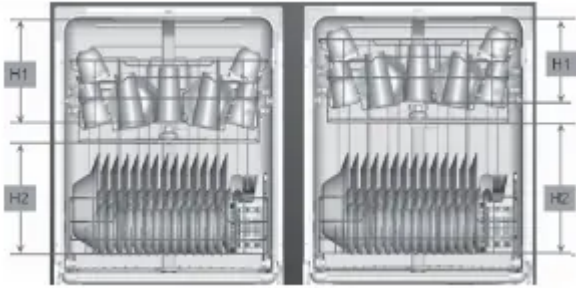
Smart Wash System

Your dishwasher has Smart Wash System. When a partial load of lightly soiled dishes is placed in the unit, a wash cycle similar to a short wash will automatically be performed. When a full load of heavily soiled dishes is placed in the unit, a heavy wash cycle will automatically be performed. It can determine the type of cycle required to clean the dishes and will clean more efficiently every time.



Adjustable Upper Rack

The Upper Rack can be raised or lowered to accommodate loading taller dishes in either rack. The Upper Rack clearance height H1 goes from 8" to 10". The Bottom Rack clearance height H2 is 11" to 13".



How your dishwasher cleans

- Your dishwasher cleans by spraying a mixture of hot water and detergent through the spray arms against soiled surfaces.
- The dishwasher fills with water covering the filter area. Water is then pumped through the multiple filter and spray arms. Separated soil particles go down the drain as the water is pumped out and replaced with clean water.
- The number of water fills will vary with the cycle being used.

Getting Started

1. Load dishwasher (See preparing and loading dishes).
2. Add detergent (See Fill detergent to the dispenser).
3. Add rinse aid, if needed (See Fill rinse aid dispenser).
4. Select desired CYCLE (See Cycle Chart). The indicator light beside the pad will glow when selected.
5. Select desired FUNCTIONS, the indicator light beside the pad will glow when selected.
6. To start, press Start/Cancel (See Start/Cancel) pad.
7. Close the door, then the machine will start to work.

NOTE

1. Your dishwasher has the top control panel. The door should be opened first if you want to operate the machine.
2. To start a cycle, the door must be closed within 4s after press Start/Cancel.

Wash Cycle Selections

Cycle times are an estimation and will vary with different options. Water temperature is important to activate the dishwasher detergent and melt fatty food soils. An automatic sensor will check the incoming water temperature. If the water is not hot enough, timer will be delayed for the water to be heated to the desired temperature. Even when HI-TEMP is selected, often times, water still need to be heated more to handle heavier soil loads.

Control panel



NOTE This model is built-in models, all the buttons can only be operated in the open state.

Wash Cycle Selections

1. Heavy Wash

This cycle is for hard-to-clean, heavily soiled dishes, pots and dishes.

2. Normal Wash

This cycle is for regularly soiled dinner dishes or silverware.

3. Delicate Wash

This cycle is for lightly soiled china and crystal.

4. Quick Wash

This cycle is for lightly soiled and pre-rinsed dishes and silverware

5. Rinse Only

This cycle is for pre-rinsing dishes or glasses. This is only a rinse that keeps food from drying on your dishes and reduces odor buildup in your dishwasher until you are ready to wash a full load. Do not use detergent.

6. ENERGY SAVER

For light soiled or pre-rinsed dishes and silverware.

7. Air exchange

Select the "Air exchange function, the dishwasher will exchange the air every 6 hours to keep the air in the dishwasher fresh.

8. Steam Wash

For use with heavily soiled items, this STEAM option adds 30 minutes to the cycle time. The option is available with the cycles of "HEAVY WASH" and "Normal wash".

9. Child Lock

You can lock all controls to prevent children from accidentally changing the dishwasher cycle or starting the dishwasher.

Press the "Steam wash" and the "circle mark" simultaneously to select or cancel the function. After the function is selected and the corresponding indicator light will turn on.

10. Heating Dry

When the "Heating Dry" function is selected, the heater will work during the drying process.

11. Sanitize

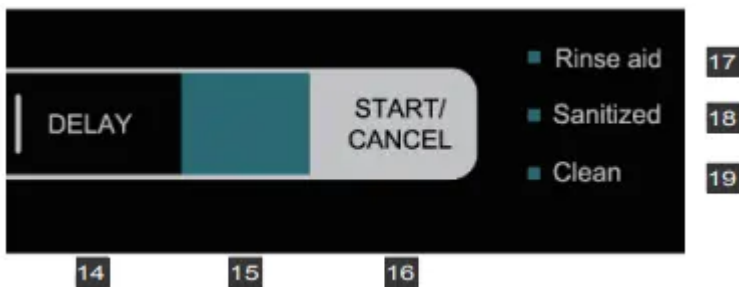
To sanitize your dishes and glassware, select the Sanitize option. When the "Sanitize" function is selected, the temperature of water will be maintained at 70 °C (158 °F) max.

Certified residential dishwashers are not intended for licensed food establishments. The sanitize cycle is NSF certified.

Warning: The sanitize option is available with " Heavy Wash " " NORMAL WASH" and " ENERGY SAVER" cycles.

12. Hi Temp Wash

When the "Hi Temp wash" function is selected, the temperature of water will be maintained at 60 °C (140 °F) max.



14. Delay

To delay the start of a selected cycle, open the door, press the Delay Start pad until the desired delay time shows in the LED display screen, it allows you to start your dishwasher for 1 to 24 hours delay. Press the Start/Cancel pad once, after that, you should close the door within 4 seconds, then the delay is running.

If you open the door during the delay is running, you should press the Start/Cancel pad, then close the door within 4 seconds, the delay will run again.

To cancel the Delay Start option and begin the cycle, before the delay period is over press the Start/Cancel pad for 3 seconds.

15. Display window

To display the remaining hours and minutes of the running cycle, delay hours and error codes etc.

16. Start/Cancel

- Open the door - select a wash cycle you desired, the indicator light will turn on. Press the Start/Cancel button and close the door within 4 seconds, then the selected program light begins to blink and the cycle progress indicator in control panel will light on, the washing cycle is running.
- If you close the door more than 4seconds after pressed the Start/Cancel button, the cycle will pause and not run.
- To cancel a running cycle, open the door you can press the Start/Cancel button for 3 seconds, then the dishwasher will drain the water for 60 seconds and the screen will display the time "60", after the drain you can select the desired cycle.
- When you want to load more dishes or pause the dishwasher while it is already running, make sure to open the door slowly and carefully as there is a possibility of injury by hot steam from inside the dishwasher.
- You can add more dishes before the main wash starts. Open the door and check the detergent dispenser. If the detergent dispenser is still closed, you can add items. To achieve best washing effect, it's strongly recommended that all dishes will be loaded before washing program begins.

17. Rinse aid indicator light

- Need to add rinse aid to the dishwasher.

18. Sanitized indicator light

- If a cycle with the sanitize function is finished, the sanitized indicator light turns on. If you open the door, it will turn off after 30 seconds.

19. Clean indicator light

- Turns on after a cycle finished. If you open the door, it will turn off after 30 seconds.

Cycle progress indicator

Located on ride side of the front of the dishwasher, these lights indicate how far along is the current wash cycle while the dishwasher is running



1. WASH

When the dishwasher is in a wash or rinse portion of a cycle, the Wash light is illuminated.

2. DRY

When the dishwasher is in a drying portion of a cycle, the Wash and Dry lights are illuminated.

3. CLEAN

- After the dishwasher has completed all portions of a cycle, all indicator lights are illuminated.
- If you open the door when the Cleaning lights are illuminated, all the lights will turn off after 30 seconds

Operating dishwasher

Status Window

H:01-H:24

If the Delay Start option is selected, the number of delay start hours shows in the Status Window.

2:15-0:00

After the machine works, the remaining time of the cycle that have been selected will be showed in the Status Window.

NOTE

The remaining time could suddenly increase or drop several minutes. This means the Smart Sensor has checked the soil level and adjusted for the appropriate water level.

Error indication

- In certain situations which are critical to the machines function and safe operation, the control shall shut down and indicate an error code (See Error Codes on page 18).
- If Error codes are displayed, contact the dealer or servicer. They will be able to provide assistance in trouble shooting the problem and or locate an authorized service technician if needed.

Cycle Chart

Program	Description of Cycle	Water (L)	Cycle time (min)
HEAVY WASH	Pre Wash	22.8	140
	Pre Wash		
	Wash(48°C)		
	Rinse		
	Rinse		
	Rinse(58°C)		
NORMAL WASH	Drying	10.8~23.0	105~135
	Pre Wash		
	Auto(42~48°C)		
	Rinse(50~58°C)		
DELICATE WASH	Drying	19.3	120
	Pre Wash		
	Pre Wash		
	Wash(48°C)		
	Rinse		
QUICK WASH	Rinse(58°C)	15.5	60
	Drying		
	Pre Wash		
	Wash(40°C)		
RINSE ONLY	Rinse(50°C)	8	20
	Rinse Only		
ENERGY SAVER	Drying	19.3	105
	Rinse(50°C)		
	Rinse		
	Wash(40°C)		
	Pre Wash		

Preparing and loading dishes

Adjustable Upper Rack

The upper rack height can be easily adjusted to accommodate loading taller dishes in either rack. To accommodate taller dishes in the bottom rack, there are 2 positions available:

1. Lift the rack for upper position



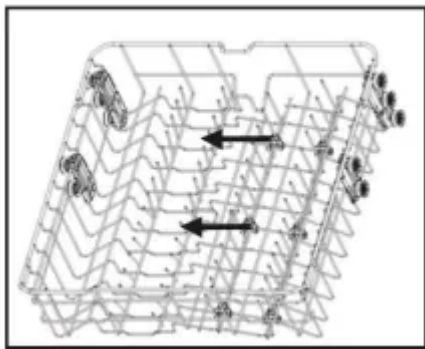
The upper rack In the upper position



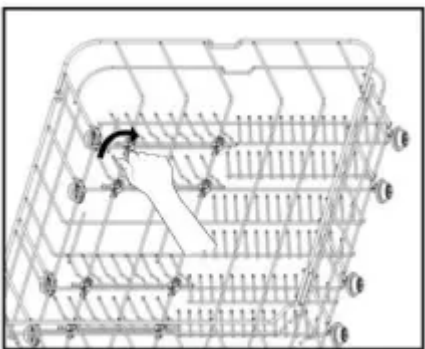
2. Up press the handle to lower the rack



The upper rack In the lower position



Upper rack



Lower rack

Dish Preparation

Scrape away large pieces of food, bones, pits, toothpicks, etc. The continuous filtered wash system will remove the remaining food particles. Jumbled-on foods should be loosened before loading. Empty liquids from glasses and cups.

Foods such as mustard, mayonnaise, vinegar, lemon juice and tomato based products may cause discoloration of stainless steel and plastics if allowed to sit for a long period of time. Unless the dishwasher is to be operated at once, it is best to rinse off these food soils.

If the dishwasher drains into a food disposer, be sure disposer is completely empty before starting dishwasher.



Loading the Upper Rack)

The upper rack is designed for cups, glasses, small plates, bowls and plastic items marked crease. For best results, place the bowls, cups, glasses, sauce pans with soiled surface facing down or toward the center. Tilt slightly for better drainage.

Loading the Bottom Rack

The bottom rack is designed to load plates, small bowls, plates, saucers and cookware. The adjustable rack space will allow you to load maximum 13 inch items.

- Warning: Large items should be placed along the edge so they do not interfere with the middle spray arm rotation, and make sure they do not prevent the detergent dispenser from opening.
- Large items should be turned so that the inside faces downward, and make sure these items do not interfere with the lower spray arm rotation.

The fold-down tines in the bottom rack make it easy to load those extra large and hard-to-fit items. The tines may be left up for normal use or folded down for more flexible loading. Fold down, for more space to load large pots or pans.



Upper Rack 8 place settings



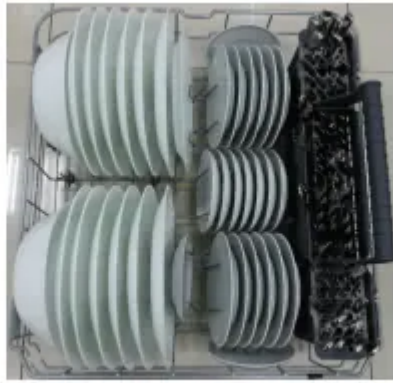
Upper Rack 12 place settings



Upper Rack 14 place settings



Bottom Rack 8 place settings



Bottom Rack 12 place settings



Bottom Rack 14 place settings

Adjusting the top rack

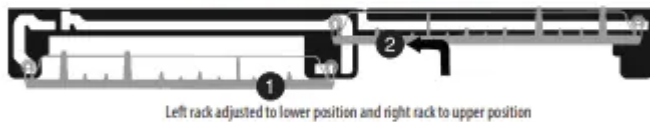
This dishwasher has a convenient top rack for silverware, cutlery, and small items. This rack can be adjusted to accommodate varying loads, as shown below.



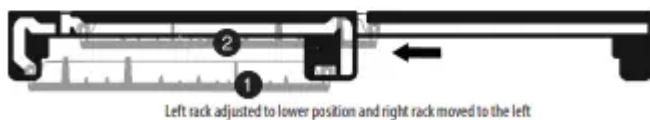
Left and right racks aligned



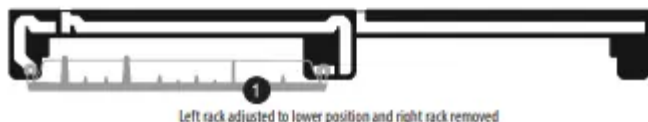
Left rack adjusted to lower position and right rack angled



Left rack adjusted to lower position and right rack to upper position



Left rack adjusted to lower position and right rack moved to the left



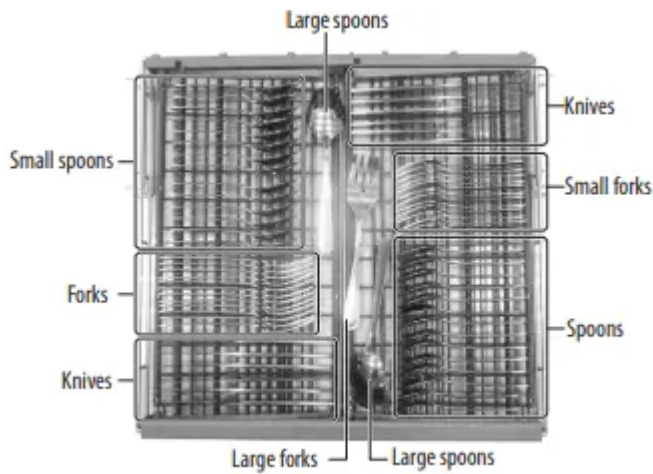
Left rack adjusted to lower position and right rack removed

Loading the top rack

You can place the items in the top rack randomly or in an orderly fashion.

The image below shows how to load the top rack for 16 place settings:

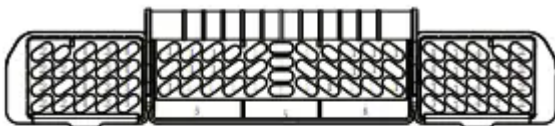




Loadig the Silverware Basket

The silverware basket could be divided into three separate modules that can be used in both upper and lower racks.

1. Spoons
2. Knives
3. Salad forks
4. Forks
5. Large spoons
6. Large forks



Adding A Dish

To add or remove items after wash cycle starts:

1. Open door slightly and wait a few seconds until wash action stops before completely opening.
2. Add the item.
3. Press the Start/Pause pad. then close the door latch firmly within 4 seconds. the cycle will automatically resume.

If you close the door more than 4 seconds after pressed the Start/Cancel pad, the cycle will pause and not run.

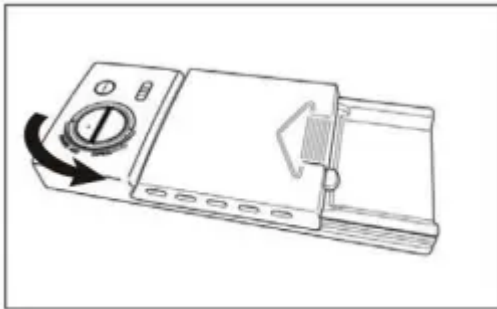
Filling the rinse aid dispenser

- Rinse aid greatly improves drying and reduces water spots and filming. Without rinse aid your dishes and dishwasher interior will have excessive moisture. The Heated Dry option will not perform as well without rinse aid. The rinse aid dispenser, located next to the Detergent cup, automatically releases a measured amount of rinse aid during the last rinse.
- If spotting and poor drying is a problem, increase the amount of rinse aid dispensed by rotating the dial to a higher number. The dial is located under the dispenser cap.
- If the rinse aid is low, the Rinse Aid light is illuminated at the beginning and end of the cycle indicating that it is time to refill.

Filling the rinse aid dispenser

Your dishwasher is designed to use a liquid rinse aid. The use of rinse aid greatly improves drying performance after the final rinse. Do not use a solid or bar-type rinse aid. Under normal conditions, the rinse aid will last approximately one month, try to keep it full, but do not over fill.

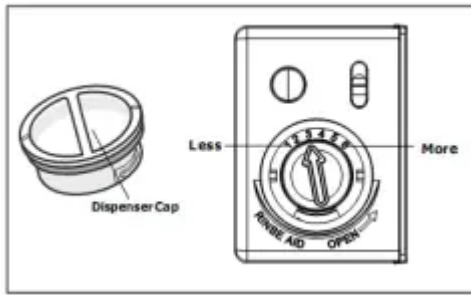
1. Open the door, turn the dispenser cap to left and lift it out.



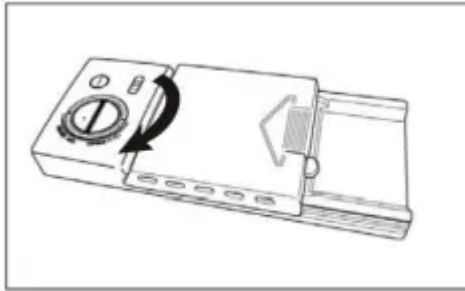
2. Add rinse aid until the indicator point to max.



3. You can adjust the amount of the rinse aid released during the rinse operation, the greater number indicates the larger amount of rinse aid released.

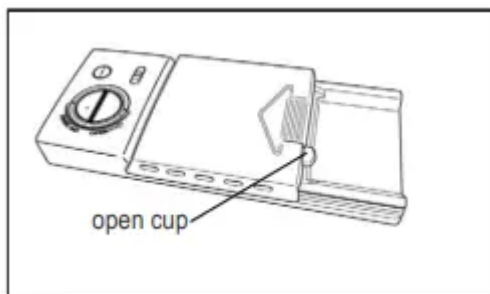


4. Replace the dispenser cap.

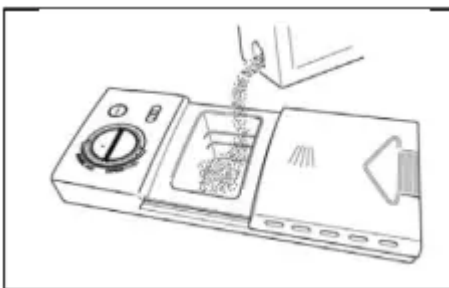


Filling the detergent dispenser

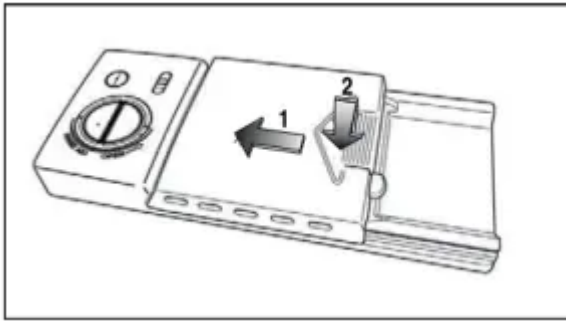
1. Push the dispenser cover latch downwards and open it.



2. Add the detergent to the main wash compartment.



3. Close the dispenser cover.



Care & Cleaning

Cleaning the exterior door and panel

1. Stainless steel panel

- Clean the stainless steel door and handle regularly to remove the debris with cleaning soft cloth.
- Do not use appliance wax, polish, bleach or products containing chlorine to clean the stainless steel door.

2. Control panel

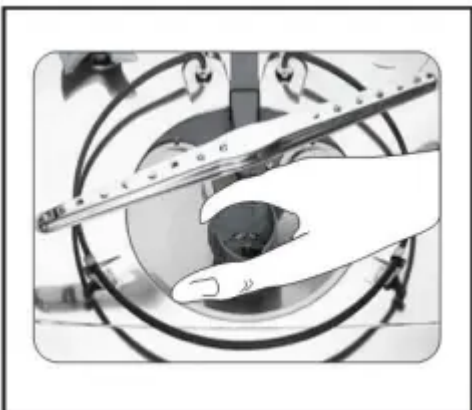
- Clean the control panel with a lightly dampened cloth. clean it gently

Cleaning the Stainless steel Inner Door and Tub

- The tub is made of Stainless Steel. it will not rust or corrode if the dishwasher should be scratched or dented.

Clean the Cylinder Filter

- The Cylinder Filter is designed to collect some big items such as broken glass, bones and pits. The Cylinder Filter needs to be cleaned to maximize wash performance.
- Remove the bottom rack, rotate the cylinder filter as shown, lift it out, empty and clean it by holding it under running water and replace.



Warning

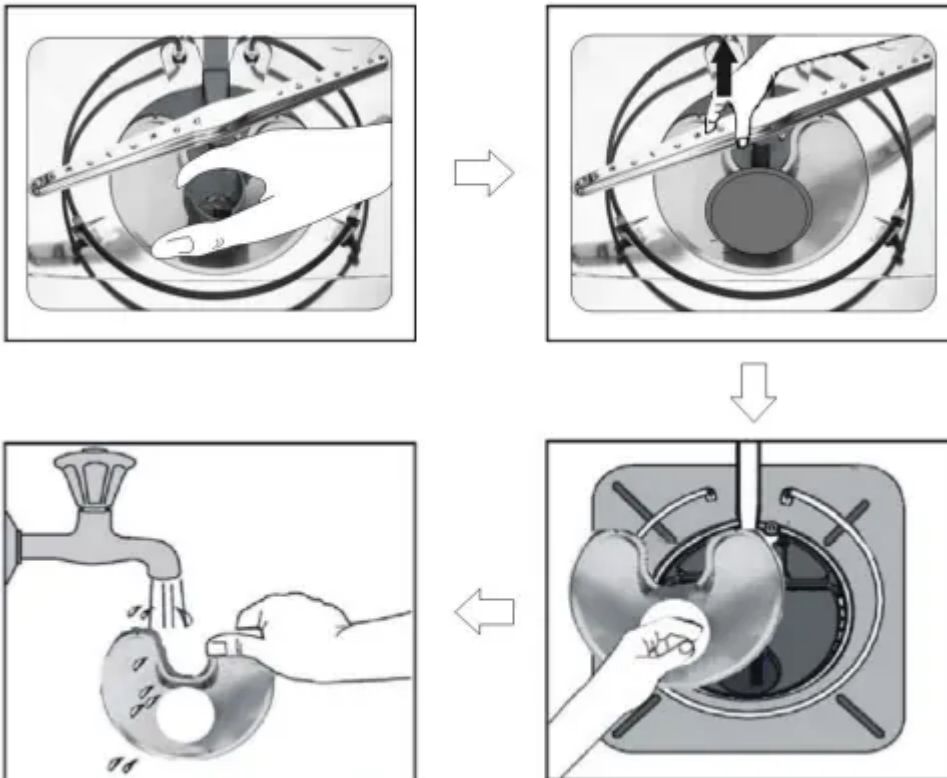
- Clean the spots on the steel inner door and tub with a damp nonabrasive cloth.
- Allow heating element to cool before cleaning the interior.
- Failure to do so can result in burns.



Clean the Fine Filter

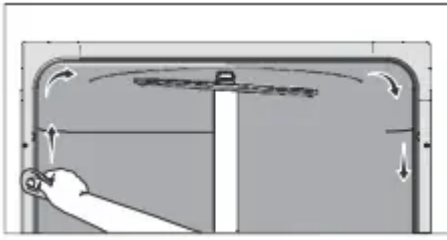
Take out the Cylinder Filter and remove the Fine Filter from the dishwasher tub bottom. To remove the Fine Filter you must first remove the bottom spray arm as shown below.

Flush the Fine Filter by holding it under running water and replace.



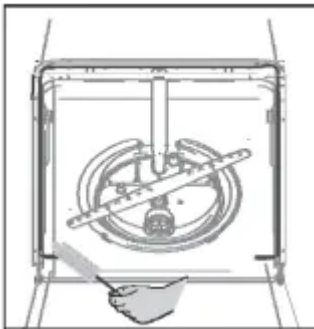
Clean the door gasket

Clean the door gasket with a damp cloth to remove food particles regularly.



Inside

The inside of the dishwasher is self-cleaning with normal use. If needed, clean the tub gasket with a damp cloth and use a brush similar to the ones shown below to clean the opening in the end of the gasket.



Air gap

- If there is an air gap installed with your dishwasher, make sure it is clean so the dishwasher will drain properly.
- Air gap is not part of your dishwasher. Before you clean the air gap, turn off the dishwasher firstly and lift off the cover. Remove the plastic cap and clean with a toothpick.

Protect against freezing

Your dishwasher should be protected from freezing properly if it was left in an unheated place. Have a qualified person do the following:

To Disconnect Service:

1. Turn off electrical power to the dishwasher at the supply source by moving fuses or tripping circuit breaker.
2. Turn off the water supply.
3. Place a pan under the inlet valve. Disconnect water line from inlet valve and drain into pan.
4. Disconnect drain line from pump and drain water into pan.

To Restore Service:

1. Reconnect the water, drain and electrical power supply.
2. Turn on water and electrical power supply.

3. Fill both detergent cups and run dishwasher through a Heated-Washcycle.
4. Check connections to make sure they do not leak.

Troubleshooting

Before calling for service

Dishwasher won't start

- Door may not be closed properly
Shut the door completely make sure it is
- Power supply or power line is not connected
latched Check and connect the power supply
- Delay Start option has been selected
Refer in this manual to rese
- Child Lock activated
Deactivate the child lock, refer to child lock section in this manual

Dishwasher beeps at the end of the cycle

- It indicates the wash cycle finished, the dishwasher will beep

Rinse Aid light on

- The rinse aid level is low
Add rinse aid

Dishwasher operates too long

- The dishwasher is connected to cold water
Check the dishwasher, make sure it connected to the hot water supply
- The cycle time will vary due to the soil
When heavy soil is detected, the auto, normal, Heavy Wash cycle will automatically increase the cycle time
- The sanitize option is selected
When sanitize option is selected, the cycle time will be increase to meet the sanitized temperature request
- Water pressure is temporarily low
Use you dishwasher when the water pressure is normal

Dishes are not clean enough

- The inlet water is low

Make sure the dishwasher is connected to the hot water supply

Try not use your dishwasher when hot water is being used elsewhere in the house

- Dishes are loaded too close together improper use of detergent

Load the dishes again as the manual introduced

Add detergent depending on the water hardness and the cycle you chose. Use fresh detergent.

- The selected cycle is not suitable for food soil condition

Choose another cycle for longer washing time.

Dishes not drying enough

- Spray arms is blocked by some items

Make sure the spray arm is rotated fluently.

- Detergent dispenser is empty

Fill rinse aid dispenser or increase the amount of rinse aid.

- Improper loading of dishes

Load the dishes again as the manual indicates.

Spots and filming on dishes

- The cycle you chose did not included the drying.

Choose the proper cycle with drying

- Water hardness is too high

For extremely hard water install a water softener

- Improper loading of dishes

Load the dishes again as the manual indicates

- Old or damp powder rinse aid is used

Use fresh rinse aid

- Rinse dispenser empty

Add rinse aid to the dispenser

Etching

- Using too much detergent

Use less detergent if you have soft water Etching

- The inlet water temperature exceeds 150,

Lower the inlet water temperature

Detergent left in dispenser cup

- Detergent may be too old

Use fresh detergent

- Spray arm is blocked

Load the dishes, making sure the spray arms are not blocked.

Detergent dispenser will not shut

- Improper operation of the detergent cover

Add the detergent and rinse aid as indicated by the manual

Water remains in the dishwasher

- Previous cycle has not finished or has been interrupted

Select the proper cycle as introduced by the manual

Dishwasher does not drain properly

- Drain is clogged

Drain hose is kinked

Make sure the disposer is empty if the dishwasher is connected to the disposer

- Drain hose is kinked

Make sure the drain hose is properly connected to the sink

Suds in the tub

- Improper detergent is used

Make sure to use only the automatic dishwasher detergent

Dishwasher leaks

- Excessive suds caused by using the improper detergent

Make sure to use only the automatic dishwasher detergent

- Dishwasher is not level

Leveling the dishwasher (see the installation manual)

Black or gray marks on dishes

- Aluminum utensils have rubbed against dishes

Chose a higher cycle

Make sure the inlet water is no less than 120oF

Stained tub interior

- Coffee and tea soil

Using a spot cleaner to remove the soil

- Reddish stain

Some tomato food will cause this use of the rinse only cycle right after loading this will decrease the staining

Noises

- Detergent cup opening\Drain pump sound

This is normal

- A hard object has entered the wash module. When the object is ground up, the sound should stop.

If the noise persists after a complete cycle, call for service.

Dishwasher won't fil

- Water valve is turn off

Check if the water valve is turn on

- Door latch may not be properly seated

Make sure the door is closed

Error Codes

When some malfunctions come on, the appliance will display error codes to warn you:

E1

- Longer inlet time.

Faucets is not opened, or water intake is restricted, or water pressure is too low.

E4

- Overflow.

Some element of dishwasher leaks.

E8

- Improper of orientation of distributary valve.

Open circuit or break of distributary valve.

E9

- Keep touching a button more than 30 seconds.

Water or something on the button

WARNING

- If overflow occurs, turn off the main water supply before calling service.
- If there is water in the base pan because of an overflow or small leak, the water should be removed before restarting the dishwasher.

INSTALLATION INSTRUCTIONS

Read the installation instructions clearly, and further more, pay attention to the following lists:

1. The power-supply receptacle for the appliance shall be installed in a cabinet or on a wall adjacent to the undercounter space in which the appliance is to be installed.
2. There shall be an opening through the partition between the compartments specified in (a) that is large enough for the attachment plug to pass through. The longest dimension of the opening shall not be more than 38 mm (1.5 in).
3. The edges of the opening specified in (b) shall, if the partition is wood, be smooth and rounded, or, if the partition is metal, be covered with an edge protector provided for this purpose by the manufacturer.
4. Care shall be exercised, when the appliance is installed or removed, to reduce the likelihood of damage to the power-supply cord.

NOTE: A hose that attaches to a sink spray can burst if it is installed on the same water line as the dishwasher. If your sink has one, it is recommended that the hose be disconnected and the hole plugged.

Warning

This content is compiled from multiple sources and is provided for reference purposes only. It may not be complete or fully applicable to all situations. If you are unable to resolve your issue, please contact the product manufacturer or an authorized service provider for official support.