

## USER MANUAL COMMERCIAL OFFSET HANGING UMBRELLA

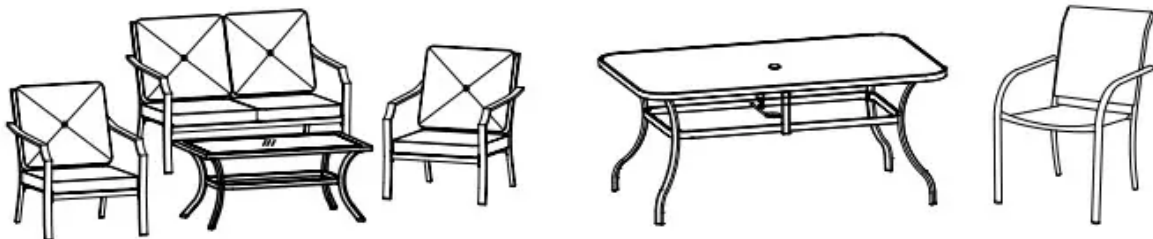


### PREPARATION

- Before beginning assembly of product, make sure all parts are present. Compare parts with package contents list and hardware contents list. If any part is missing or damaged, do not attempt to assemble the product.
- Estimated Assembly Time: 40 minutes
- NO ADDITIONAL TOOLS REQUIRED

### FEELING CONFIDENT? START YOUR NEXT PROJECT?

- Visit [www.lowes.com](http://www.lowes.com) for more information.



### CARE AND MAINTENANCE

- Before using, clean the product completely with a soft, dry towel.
- When not in use, wipe free of any dirt or loose objects, wash with a mild solution of soap and water, rinse and dry completely.
- Do not use strong detergents or abrasive cleaners.
- Store the product in a cool, dry location away from sunlight.

## SAFETY INFORMATION

Please read and understand this entire manual before attempting to assemble, operate or install the product.

### WARNING

Tighten each bolt firmly and properly. Do not completely tighten screws until all screws are started.

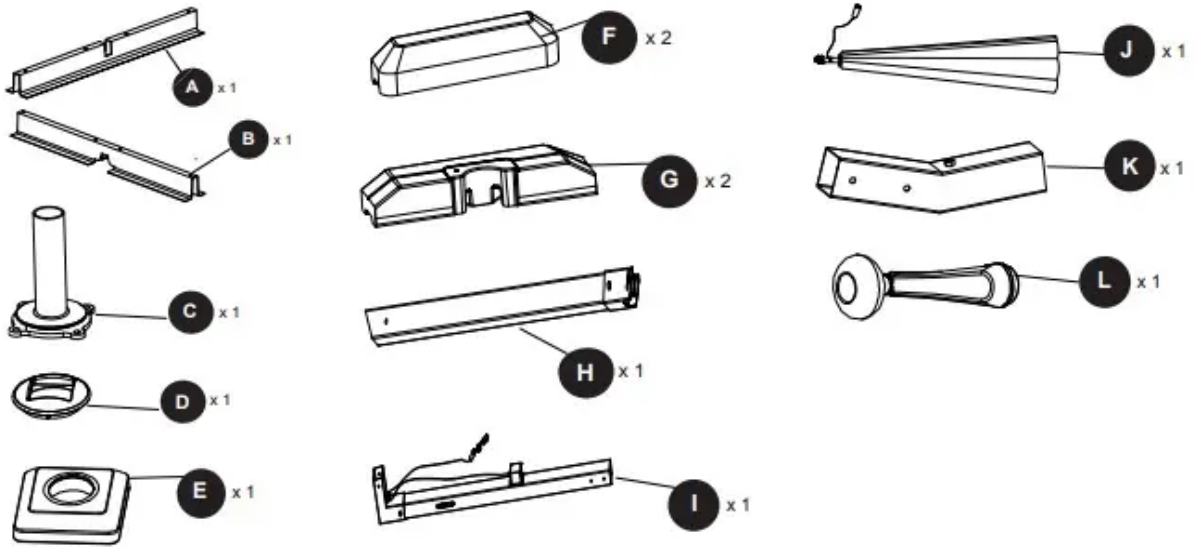
- Some parts may contain sharp edges. Wear protective gloves as necessary.
- Children under the age of 16 should not be engaged in the assembly, removal or disassembly of the product.
- Children under the age of 10 should be supervised by a competent adult while using this furniture.
- Please keep children out of the assembly area during assembly.
- This set is heavy, and may require two adults for safe assembly.
- Never use this product as a support. Do not shake, lean, or climb on the product at any time.
- Sand (sold separately) should be added to the four (4) base units to provide adequate weight to support the umbrella. Failure to do this can result in damage or injury

### CAUTION

- Do not overtighten any of the bolts as this may damage the threads.
- Repeated assembly can weaken the locking ability of the washers.
- Periodically check all bolted connections on the furniture to make sure they are tight and secure.
- Retain these instructions for future reference.
- Paint on this product might peel off if it is hit or used improperly.
- Use and carry this item with care and apply touch-up paint (not included) when necessary.
- this item should not be used as a toy or a tool.
- Do not locate the product near any heat source

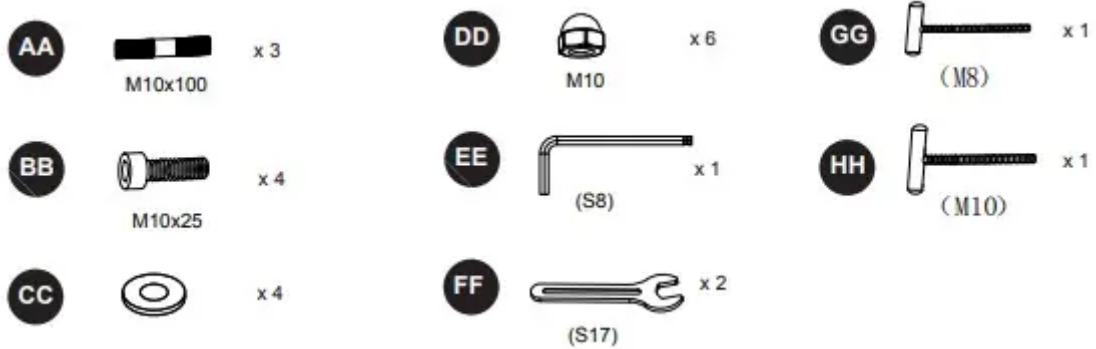
# QUICK REFERENCE GUIDE

## PACKAGE CONTENTS

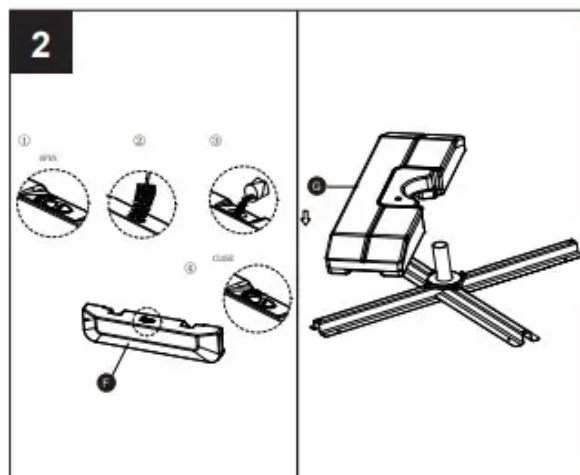
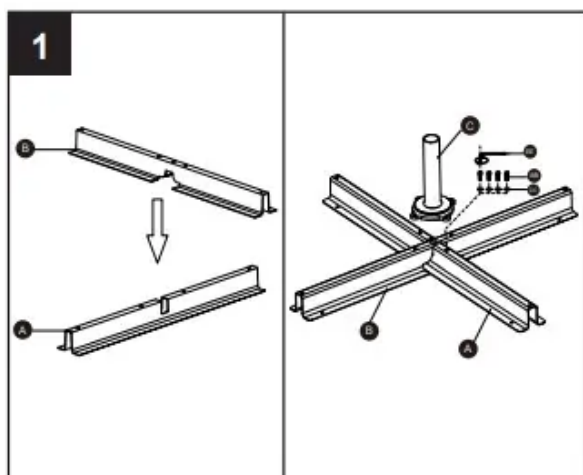


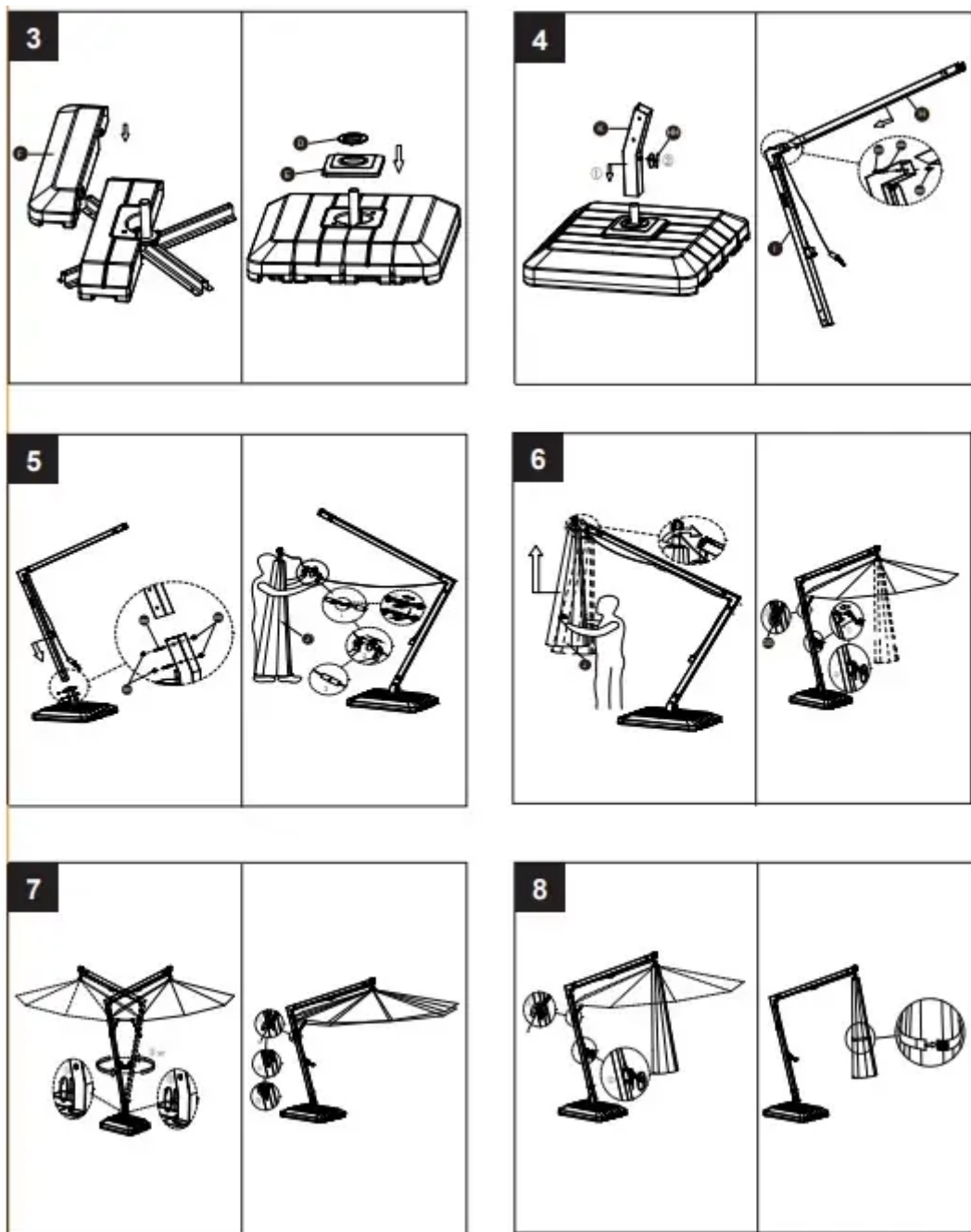
## HARDWARE CONTENTS/QUINCAILLERIE INCLUSE

Note: Hardware not shown actual size.



## INSTALLATION OVERVIEW





## Q&A

1. How do I choose an offset for an umbrella?

- Offset umbrellas are typically 9 to 13 ft. wide but can also be found in smaller or larger sizes. The shape of your patio umbrella can be determined by a few factors: the area you wish to shade, the space available, and the look you prefer. The most common umbrella shapes are round (octagonal), rectangle, and square.

2. What is the difference between a market umbrella and a cantilever umbrella?

- Market umbrellas will sometimes include a tilting mechanism at their tops, but their standard shape is straight and symmetrical. Cantilever umbrellas have a sturdy base, curved pole, and canopy that is offset from the base of the umbrella.

3. Is a 5mm offset difference OK?

- If the new wheels are the same width, the new offset should ideally be within 5mm of the old offset in either direction. If offset must be substantially different, avoid using more positive offset at all costs. If the new wheels are wider, backspacing must be calculated.

4. Is a square or round cantilever umbrella better?

- For symmetry and maximum shade protection, a square-shaped umbrella is your best bet. Octagonal is a common umbrella shape that appears more round and will look best covering a circular table. For a more traditional look, opt for an octagonal shape to shade your space.

5. How do I keep my cantilever umbrella from blowing over?

- A tall stand that firmly grips the pole.
- So look for a stand that grabs onto at least a foot of the umbrella's pole. Good stands can also clamp onto the umbrella for an extra tight grip that doesn't bite into the wood, fiberglass, or metal materials.

6. How does an offset umbrella work?

- Offset patio umbrellas are a special variant of patio umbrellas where the base lies to one side of the umbrella rather than the middle. Due to this, offset patio umbrellas are also sometimes known as side post umbrellas.

7. How do you winterize an umbrella base?

- If you have a water ballast base, either completely drain, remove and store indoors, or partially drain and add 1-2 capfuls of environmentally friendly antifreeze. Then cover with tarp or heavy plastic bag. Metal bases – as with the umbrella itself, it is always best to store the base indoors, in a garage or shed.

8. How much sand do I need for an offset umbrella base?

- Each section of the umbrella base must be completely filled with sand. Approximately 50 lbs of sand (1.25 sand bags of 40 lb each) are needed to fill all four sections, giving a total weight of about 200 lbs.

9. What offset makes wheels stick out?

- A simple way to understand offset, is the lower the offset, the more the wheel will stick out, likewise, the higher the offset, the more the wheel will tuck in. For example, and Honda Civic generally uses around a +40mm offset.

10. What should I look for when buying an offset patio umbrella?

- For umbrella frames, consider durable materials that won't break easily, such as aluminum and fiberglass. If you want wood, choose a wood that will age well, is weather-resistant (e.g., teak or bamboo), and is treated to resist insects, decay, and weather damage.

## **SAFETY INFORMATION**

### **WARNING**

- Tighten each bolt firmly and properly. Do not completely tighten screws until all screws are started.
- Some parts may contain sharp edges. Wear protective gloves as necessary.
- Children under the age of 16 should not be engaged in the assembly, removal or disassembly of the product.
- Children under the age of 10 should be supervised by a competent adult while using this furniture.
- Please keep children out of the assembly area during assembly.
- This set is heavy, and may require two adults for safe assembly.
- Never use this product as a support. Do not shake, lean, or climb on the product at any time.
- Sand (sold separately) should be added to the four (4) base units to provide adequate weight to support the umbrella. Failure to do this can result in damage or injury.

### **CAUTION**

- Do not overtighten any of the bolts as this may damage the threads.
- Repeated assembly can weaken the locking ability of the washers.
- Periodically check all bolted connections on the furniture to make sure they are tight and secure.
- Retain these instructions for future reference.
- Paint on this product might peel off if it is hit or used improperly.
- Use and carry this item with care and apply touch-up paint (not included) when necessary.
- This item should not be used as a toy or a tool.
- Do not locate the product near any heat source.

**Warning**

This content is compiled from multiple sources and is provided for reference purposes only. It may not be complete or fully applicable to all situations. If you are unable to resolve your issue, please contact the product manufacturer or an authorized service provider for official support.

---

Document generated by [ManualsFile](#)

