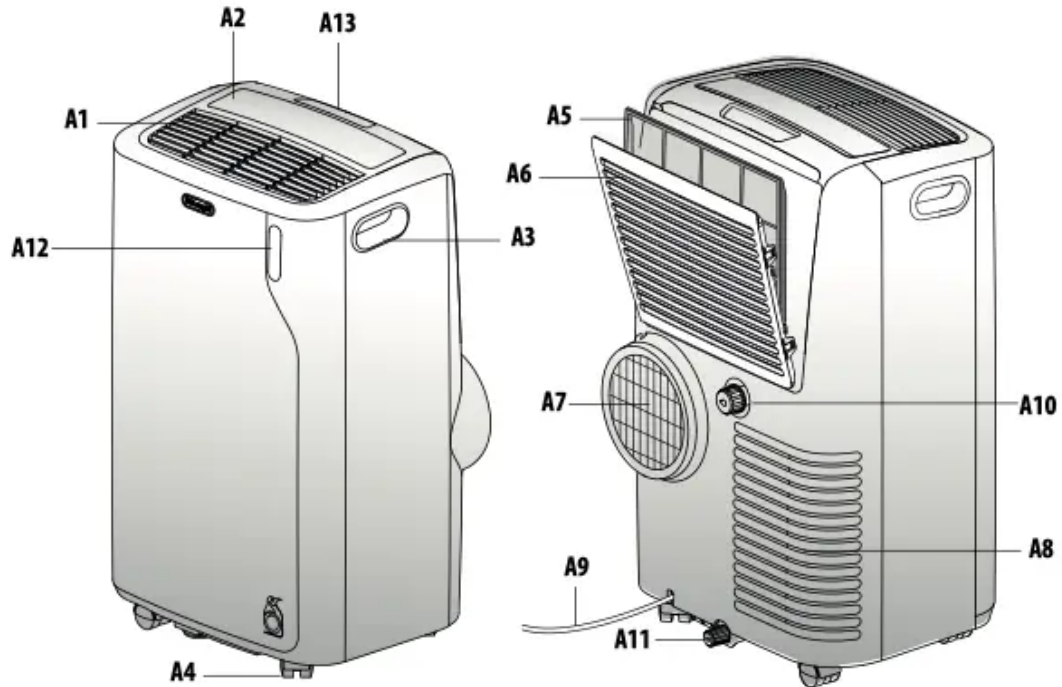
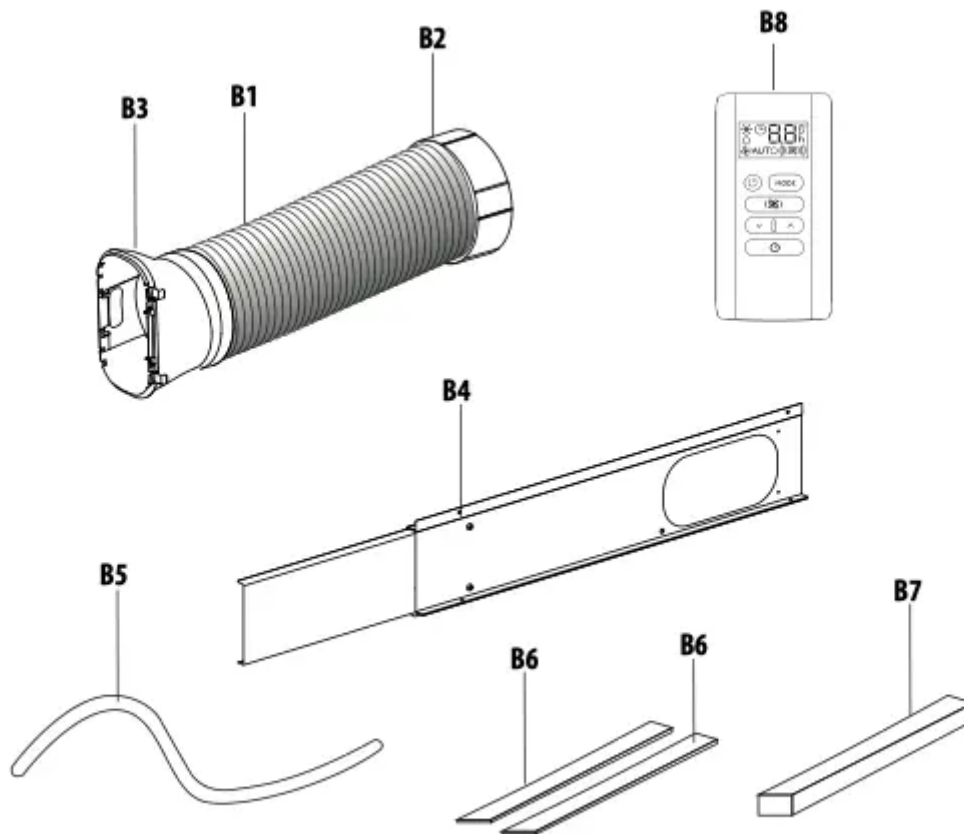


DESCRIPTION



Description of the appliance (see page 2 - A)

- A1 Air outlet grille
- A2 Control panel
- A3 Handles
- A4 Wheels
- A5 Filter
- A6 Air intake grille
- A7 Air exhaust hose housing
- A8 Air intake grille
- A9 Power supply cable
- A10 Upper drainage outlet with cap
- A11 Lower drainage outlet with cap
- A12 Remote control signal receiver
- A13 Remote control compartment



Description of accessories (See page 2 - B)

- B1 Air exhaust hose
- B2 Hose adapter
- B3 Adapter for extendable window bracket/ window
- B4 Extendable window bracket with screws
- B5 Drainage hose
- B6 Self adhesive strips foam (2 pieces)
- B7 Non adhesive strip foam
- B8 Remote control

ELECTRICAL CONNECTION

Before plugging into the outlet, check the following:

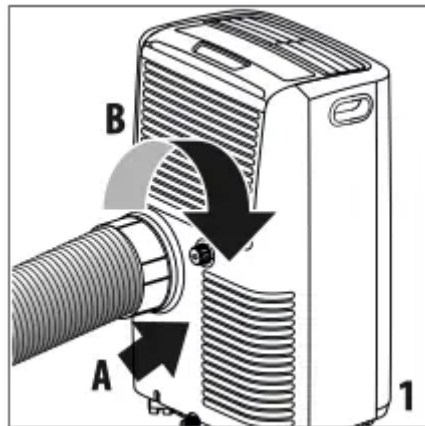
- the outlet voltage is the same as that indicated on the plate on the back of the appliance;
- the socket and electrical line are sized to support the load required;
- the socket is the proper type for the plug, otherwise, replace the socket;

- the socket is connected to an efficient grounding system. The manufacturer is not responsible in the event of non-compliance with these injury prevention standards.
- The power cable must only be replaced by specialized technicians.

USE

The instructions below will enable you to prepare your air conditioner for operation as efficiently as possible. Before use, make sure the air intake and outlet grilles are unobstructed.

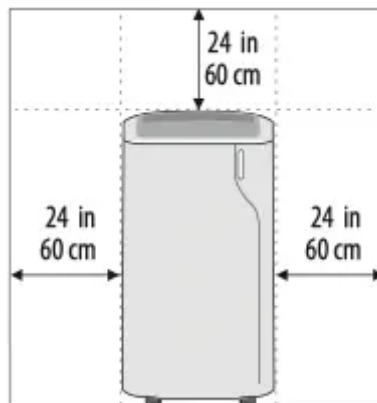
Maintain a minimum distance of 2ft/60 cm from walls and obstacles. In air conditioning and dehumidification mode the air exhaust hose (B1) must be applied (see figure 1).



Please note: This appliance is provided with an auto-evaporation feature for condensate removal during cooling and dehumidifying mode.

AIR CONDITIONING INSTALLATION

For optimal results see the figures below for the suggested minimum distances.



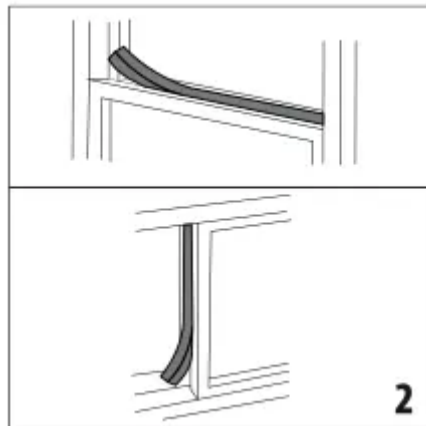
NOTE: Philips head screwdriver required for installation of window kit.

DOUBLE-HUNG WINDOW

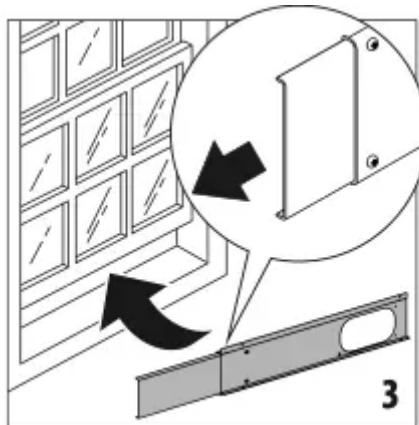
If you have a double-hung window proceed as follows:

- Fit the air exhaust hose (B1) in the relevant housing located on the rear side of the appliance (fig. 1).

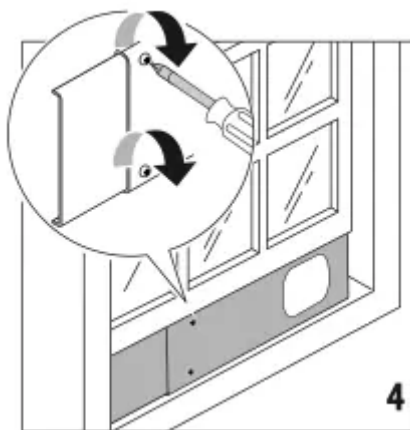
Depending on the need, place the self adhesive strips foam or non adhesive strip foam on the window as shown in figure 2.



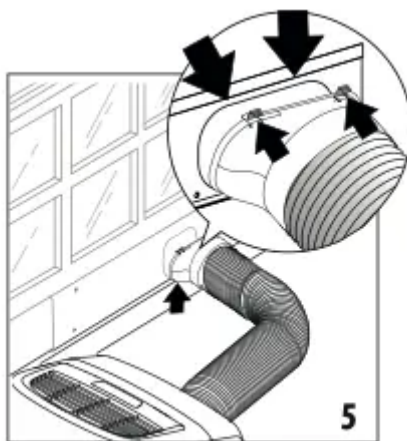
- Cut the adhesive strip foam to the desired length and place it on the window.
- Position the extendable window bracket on the window sill and fully extend the extendable window bracket inside the window frame (fig.3). The portion of the window bracket with the greater depth should be placed along the bottom.



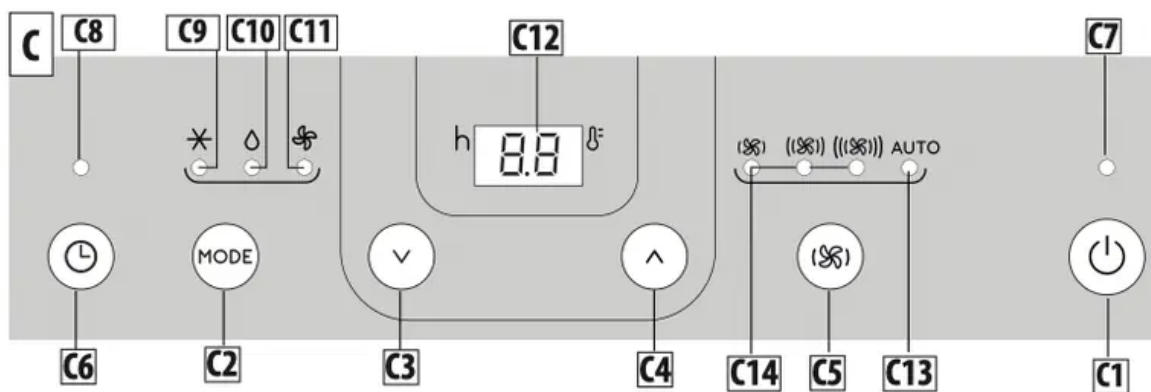
- Adjust the extendable window bracket and then fix the length with two screws (fig. 4) (If the extendable window bracket is too large, it is possible to cut the plastic using a saw.



- Hook the adapter for extendable window (B3) to the window bracket as shown in fig. 5 inserting the bottom of the adapter first then pushing in the top to secure into place.



CONTROL PANEL




DESCRIPTION OF THE CONTROL PANEL (C)


C1 ON/STAND-BY (on/off) button

C2 Mode selection key (air conditioning, dehumidifying, fan)


- C3 Decrease key
- C4 Increase key
- C5 Ventilation speed selection key
- C6 Timer button
- C7 Stand-by indicator
- C8 Timer indicator
- C9 Air conditioning mode indicator
- C10 Dehumidifying mode indicator
- C11 Fan mode indicator
- C12 Set temperature values, programmed on/off timer
- C13 Auto ventilation speed indicator
- C14 Ventilation speed indicator (min, med, max)

TURNING THE APPLIANCE ON AND OFF

Before connecting the plug to the power outlet, make sure that the drainage hose caps (A10) (A11) located on the back of the appliance are correctly inserted. Once plugged into the power outlet, the stand-by indicator lights up. Press the  (C1) key to turn on the appliance. When the appliance turns on it will be activated with the last function set before it was shut off.

To turn the appliance off, press the  key.

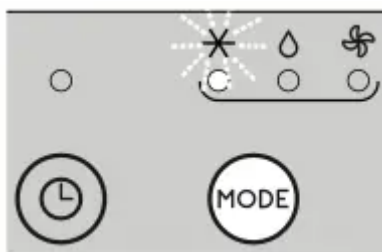
Please note: If start-up is not continued, after a few minutes the display light dims in order to reduce energy consumption.

Please note: Never turn off the air conditioner by simply pulling the plug. Press the  key in order to put your air conditioner in stand-by and wait a few minutes before pulling the plug. In this manner, the appliance can perform operating status checks.

MODE SELECTION




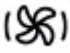
To select the desired operating mode, press repeatedly the MODE key (C2) until the desired function is selected.

 **AIR CONDITIONING MODE**



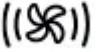
This is ideal for hot and humid weather when the room needs to be both cooled and dehumidified.

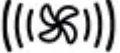
To correctly set this mode:

- Press repeatedly the MODE key (C2) until the air conditioning  indicator (C9) appears. The display (C12) will show the desired temperature.
- To change the temperature to be reached, press the  (C3) or  (C4) key.
- Select the desired fan speed by pressing the  (C5) key.

The speeds available are:

 Minimum air flow: when maximum quiet operation is desired.

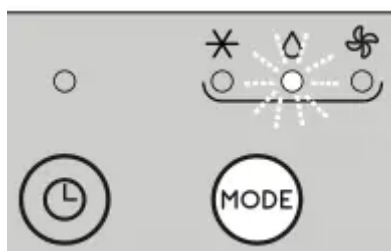
 Medium air flow: when the noise level needs to be low but with a good comfort level.

 Maximum air flow: to reach the desired temperature as soon as possible.

AUTO The appliance automatically chooses the best fan speed based on the temperature selected and the environmental conditions.


The most suitable temperatures during the summer range from 75 to 80°F (24 to 27°C). However, setting the temperature significantly lower than the outdoor temperature is not recommended.

DEHUMIDIFYING MODE



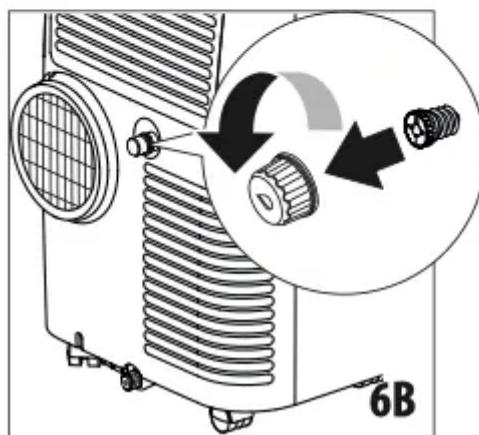
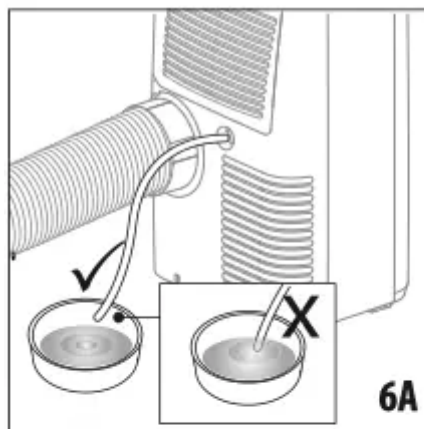
This is ideal for reducing humidity in the room (spring and autumn, damp rooms, rainy periods, etc). For this type of use, the appliance must be set up the same as for air conditioning mode. That is, the air exhaust hose (B1) must be fitted to the appliance to allow the humidity to be discharged outside.

To correctly set this mode:

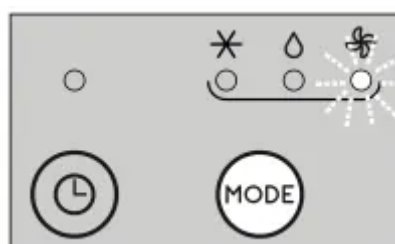
- Press repeatedly the MODE key (C2) until the dehumidifying  indicator (C10) appears.
- The appliance will automatically choose the best air flow. It cannot be adjusted manually. Also, temperature cannot be selected in dehumidifier mode so digital display will not appear.

AIR CONDITIONING MODE

Note: in case of high ambient humidity, it is possible to drain the condensate continuously by applying the hose supplied (B5) to the upper drainage hose (A10) and thus allowing the water to flow into a container. Remove the external AND internal caps before connecting the hose (see Fig. 6B). Pay attention the water does not overflow onto the floor and the drainage tube is not obstructed (Fig. 6A).


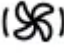


 FAN MODE

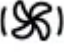


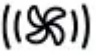
When using this mode, the air exhaust hose (B1) does not need to be attached to the appliance.

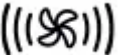
To correctly set this mode:

- Press repeatedly the MODE (C2) key until the fan  indicator appears.
- Press repeatedly the  (C5) key to select the desired air flow.

The air flows available are:



 Minimum air flow: when maximum quiet operation is desired.

 Medium air flow: when the noise level needs to be low but with a good comfort level.

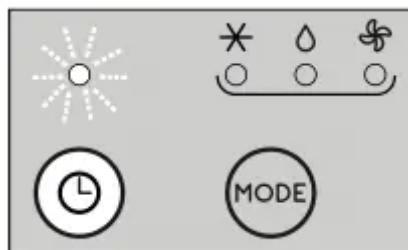
 Maximum air flow: for maximum performance.

SELECTING THE TEMPERATURE SCALE

The temperature can be displayed in °C or °F.




To change the temperature unit of measure select the air conditioning mode then press both the decrease  (C3) and increase  (C4) keys at the same time for about 3 seconds. You must follow these steps on both the unit itself AND the remote control.

SETTING THE TIMER



The timer allows the delayed start up or shut down of the appliance. This function will prevent wasting electricity by optimizing the operating periods.

How to program delayed shut down

- While the appliance is on C11 in any operating mode, delayed shut down can be programmed.
- Press the Timer button (C6): the timer indicator  (C8) and hours light up.
- Use the buttons  (C3) or  (C4) to set the number of hours until the appliance should shut down.

A few seconds after the timer is set, the setting is acquired, the C14 display shows the operating mode and the timer symbol stays lit. At the pre-set time, the air conditioner goes into standby. To cancel the timer program, press the timer button (C6) twice. The timer indicator (C8) will go off.

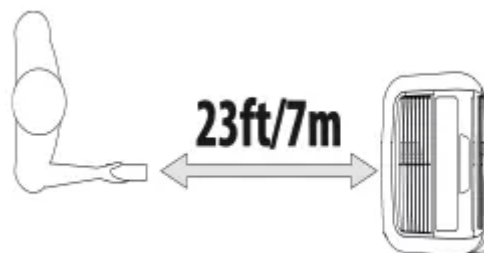
How to program delayed start up

- Plug in the appliance and set to stand-by.
- Press the timer button (C6): the timer indicator (C8) and hours light up.
- Set with the buttons ∇ (C3) or \wedge (C4) the number after which you want the appliance to start to operate.
- The appliance will start to operate in the same operating mode that was previously set.

Start up can be programmed at any time within the next 24 hours that follow. A few seconds after the timer is set, the setting is acquired. The timer indicator stays lit and the display returns to standby. To cancel the timer program, press the timer button (C6) twice. The timer indicator (C8) will go off.

OPERATION USING THE REMOTE CONTROL

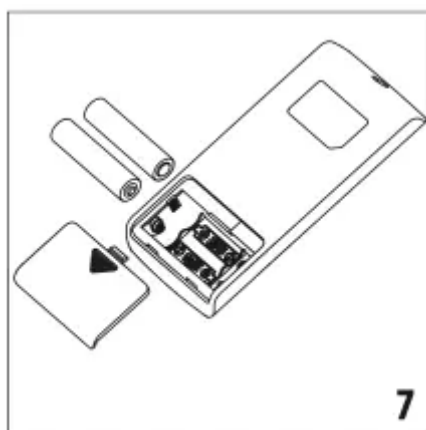
- Aim the remote control at the receiver (A12) on the air conditioner. The maximum distance between the remote control and the appliance is 23ft/ 7 metres (with no obstacles between the remote and the receiver).
- The remote control should be handled with extreme care, without dropping it or exposing it to direct sunlight and keeping it away from heat sources.



OPERATING FROM THE REMOTE CONTROL

INSERTING OR REPLACING THE BATTERIES

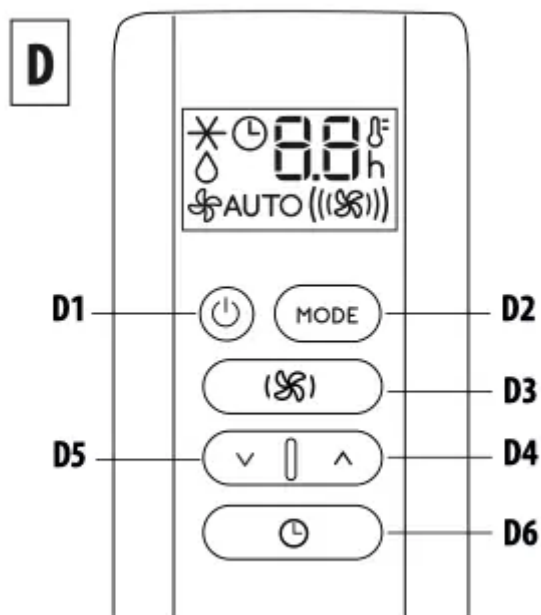
- Remove the cover on the rear of the remote control;
- Insert or replace the batteries with two new LR03 "AAA" 1.5V batteries, inserting them correctly (see the directions inside the battery compartment) (see figure 7);
- Replace the cover.





Please note: If the remote control unit is replaced or discarded, the batteries must be removed and disposed of in accordance with current legislation as they are harmful to the environment. C4 Do not mix old and new batteries. Do not mix alkaline, standard (carbon-zinc) or rechargeable (nickel-cadmium) batteries. Do not dispose of batteries in fire. Batteries may explode or leak. C1 If the remote control is not be used for a certain length of time, remove the batteries.


DESCRIPTION OF THE REMOTE CONTROL

- D1. ON/STAND-BY button
- D2. MODE button
- D3. Fan speed selection button
- D4. Increase button
- D5. Decrease button
- D6. Timer button



TURNING THE APPLIANCE ON/OFF REMOTE CONTROL



- Plug into the outlet.
- Press the ON/STAND-BY button  (D1). When turned on, the air conditioner starts operating in the same mode as when it was turned off.
- Press the ON/STAND-BY button  (D1) again to switch the appliance off.

Please note: Never switch the appliance off by removing the plug. Always switch it off by pressing the ON/STAND-BY button  (D1) and waiting few minutes before removing the plug. The appliance will only perform the standard checks if the appliance is switched off following this process. Pressing any button the remote control will automatically sync to the unit itself and whatever appears on the remote control display will now also appear on the unit display.

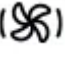
SELECTING THE OPERATING MODES

The operating modes available on the remote control through the MODE button (D2) correspond to those on the appliance control panel (C).

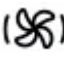
SELECTING THE TEMPERATURES

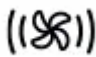
In air conditioning mode press  (D4) or  (D5) button to select the desired temperature.

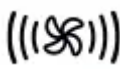
SELECTING THE AIR FLOW

In air conditioning and fan modes press  button (D3) to select the desired air flow.

The air flows available are:



 Minimum air flow: when maximum quiet operation is desired.

 Medium air flow: when the noise level needs to be low but with a good comfort level.

 Maximum air flow: for maximum performance.

AUTO Auto air flow: the appliance automatically chooses the air flow based on the temperature selected and the environmental conditions. This selection is only available in air conditioning mode.

SELECTING THE TEMPERATURE SCALE




The temperature can be displayed in °C or °F. To change the temperature unit of measure select the air conditioning mode then press both the decrease  (D5) and increase  (D4) keys for about 3 seconds.

SETTING THE TIMER


The timer allows the delayed start up or shut down of the appliance. This function will prevent wasting electricity by optimizing the operating periods.

How to program delayed shut down




While the appliance is on in any operating mode, delayed shut down can be programmed.

- Press the timer button  (D6), the timer symbol is displayed and the hours light up.
- Press the  (D5) and  (D4) buttons until the desired number of hours to shut down appears C12 on the display.


A few seconds after the timer is set, the setting is acquired, the display shows the operating mode and the timer symbol stays lit. Once the set time is elapsed, the air conditioner goes into standby.

To cancel the timer program, press the  timer button (D6) twice. The timer indicator will go off.

How to program delayed start up

- Plug in the appliance and set to standby
- Press the timer button  (D6), the timer symbol is displayed and the hours light up.
- Press the  (D5) and  (D4) buttons until the desired number of hours to start up appears. Start up can be programmed at anytime within the next 24 hours

When the set time is elapsed, the appliance will start to operate in the same operating mode that was previously set.

To cancel the timer program, press the  timer button (D6) twice. The timer indicator will go off.

Note:

- This equipment has been tested and found to comply with the limits for a Class B digital device, pursuant to part 15 of the FCC Rules. These limits are designed to provide reasonable protection against harmful interference in a residential installation.
- This equipment generates, uses and can radiate radio frequency energy and, if not installed and used in accordance with the instructions, may cause harmful interference to radio communications. However, there is no guarantee that interference will not occur in a particular installation. If this equipment does cause harmful interference to radio or television reception, which can be determined by turning the equipment off and on, the user is encouraged to try to correct the interference by one or more of the following measures:
 - Reorient or relocate the receiving antenna.
 - Increase the separation between the equipment and receiver.
 - Connect the equipment into an outlet on a circuit different from that to which the receiver is connected.




- Consult the dealer or an experienced radio/TV technician for help.

Changes or modifications not expressly approved by the party responsible for compliance could void the user's authority to operate the equipment.

- This device complies with Part 15 of the FCC Rules. Operation is subject to the following two conditions: (1) this device may not cause harmful interference, and (2) this device must accept any interference received, including interference that may cause undesired operation.
- This Class B digital apparatus complies with Canadian CAN ICES-3 (B) / NMB-3 (B).

SELF-DIAGNOSIS

The appliance has a self diagnosis system to identify a number of warning/malfunctions. Error messages are displayed on the appliance display.

<p>IF ... IS DISPLAYED,</p>  <p>"Low Temperature" (Frost prevention)</p> <p>..WHAT SHOULD I DO?</p> <p>The appliance is fitted with a frost protection device to avoid excessive formation of ice. The appliance starts up again automatically when the defrosting process is completed.</p>	<p>IF ... IS DISPLAYED,</p>  <p>"Probe Failure" (Probe damaged)</p> <p>..WHAT SHOULD I DO?</p> <p>If this is displayed, requires service. Contact DeLonghi Customer Service in the US at 1-800-322-3848 or in Canada at 1-888- 335-6644.</p>	<p>IF ... IS DISPLAYED,</p>  <p>"High Level" (Internal tray full)</p> <p>WHAT SHOULD I DO?</p> <p>Empty the internal tank following the instructions in the section "End of season operations".</p>
--	--	--

TIPS FOR CORRECT USE

To ensure optimal results from your air conditioner, follow these recommendations:

- Close the windows and doors in the room to be air conditioned. When installing the air conditioner semi-permanently, you should leave a door slightly open (as little as 0.4 in/1cm) to guarantee proper ventilation.
- Never use the appliance in very damp rooms (laundries for example).
- Protect the room from direct exposure to the sun by partially closing curtains and/or blinds to make the appliance much more economical to run.
- Never use the appliance outdoors.


- Make sure there are no heat sources in the room.
- Make sure the air conditioner is standing on a level surface.



don't cover the appliance

- Never rest objects of any kind on the air conditioner.
- Never obstruct the air intake or air outlet flap.

CLEANING

Before cleaning or maintenance, turn the appliance off by pressing the  button, then unplug from the outlet.

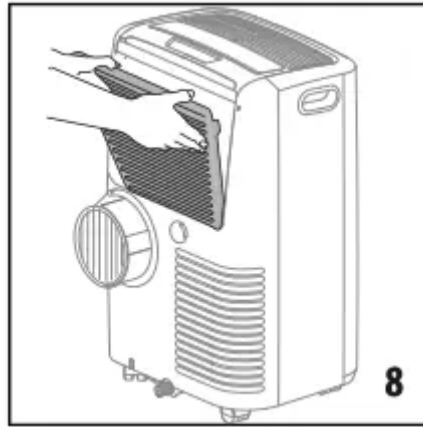
CLEANING THE CABINET

You should clean the appliance with a slightly damp cloth then dry with a dry cloth. For safety reasons, never wash the air conditioner with water.

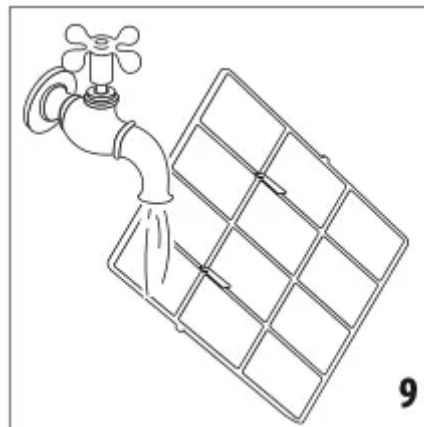
Attention! Never use alcohol or solvents to clean the appliance. Never spray insecticide liquids or similar.

CLEANING THE AIR FILTER

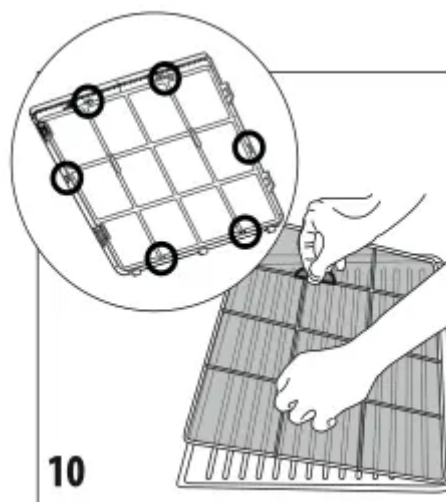
To maintain the efficiency of the air conditioner, it is recommended to clean the dust filter after every week of use. The filter is located near the intake grille and the grille is located on the filter housing. To clean the filter, it must be removed as shown in figure 8. Then, remove filter from air inlet grille (A6) as shown in figure 10.



Use a vacuum cleaner to remove any dust. If it is very dirty, submerge it in warm water and rinse it several times (fig. 9).



The water temperature must be kept below 104°F/ 40°C. After washing the filter, allow it to dry. To replace, put the filter back in its housing (fig. 10).

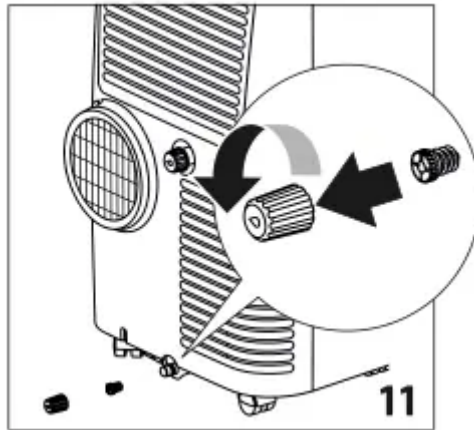


CHECKS AT THE BEGINNING OF THE SEASON

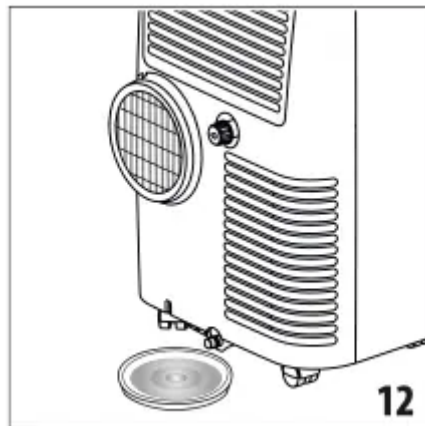
Make sure the power cable and socket are in perfect condition and make sure the ground system is sufficient. Comply strictly with the installation standards.

END OF SEASON OPERATIONS

To completely drain the water from the internal circuit, remove the cap from the lower drainage hose, turning it counter clockwise, then remove the internal cap (figure 11).



Drain the water completely into a basin (fig.12). When it is totally drained, replace the caps, making sure they are closed. Clean the filter as indicated previously. The filter must be dry before reinserting it.



TROUBLESHOOTING



PROBLEM	CAUSE	SOLUTION
The air conditioner does not come on	it is not plugged into the outlet	plug into the outlet
	there is no current	wait for power to be restored
	LCDI plug on the power cord could be tripped	push reset button on LCDI plug
The air conditioner works for a short time only	there are bends or kinks in the air exhaust hose	position the air hose correctly, keeping it as short and free of curves as possible to avoid bottlenecks
	something is preventing the air from being discharged	check and remove any obstacles obstructing air discharge
The air conditioner works, but does not cool the room	windows, doors and/or curtains open	close doors, windows and curtains, bearing in mind the "TIPS FOR CORRECT USE" given above
	there are heat sources in the room (e.g. oven, etc.)	eliminate the heat sources
	the air exhaust hose is detached from the appliance	fit the air exhaust hose in the housing at the back of the appliance (fig. 1).
	filter clogged	clean or replace the filter as described above
During operation, there is an unpleasant smell in the room	filter clogged	clean the filter as described above

The air conditioner does not operate immediately after restarting it	an internal safety device prevents the appliance from being restarted until three/four minutes have elapsed since it was last turned off	wait approximately three minutes and try again. This delay is part of normal operation.
“HL” frequently appears on the display	high ambient humidity	we suggest you to apply the hose supplied (B5) to the upper drainage hose (A10) and thus allowing the water to flow into a container. Pay attention the water does not overflow onto the floor.
The scripts Lt/PF/HL appear on display.	the appliance has a self diagnosis system to identify a number of malfunctions.	see the SELF-DIAGNOSIS chapter
There is no display showing in my remote control	Batteries are exhausted	Replace batteries
There are two dashes (- -) appearing on remote control but it is not working	Remote is not “ON”	Press ON/OFF key on remote control

Warning

This content is compiled from multiple sources and is provided for reference purposes only. It may not be complete or fully applicable to all situations. If you are unable to resolve your issue, please contact the product manufacturer or an authorized service provider for official support.

