

Models: AHTR10, AHTR12, AHTR14

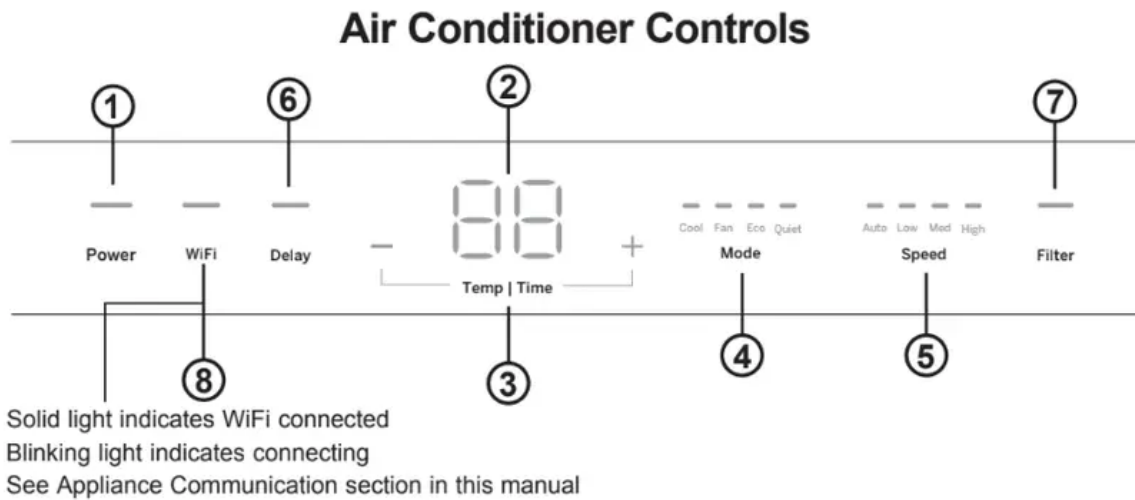
USING THE AIR CONDITIONER

Controls

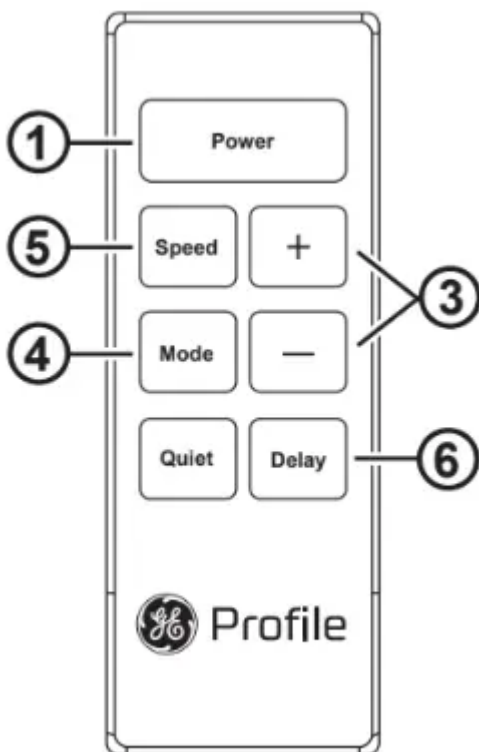
Features and appearance will vary.

Lights beside the touch pads on the air conditioner control panel indicate the selected settings.

Air Conditioner Controls



Remote Control



1. Power Pad

Turns air conditioner on and off. When turned on, the display will show the Set temperature.

2. Display

Shows the Set temperature or time remaining on the Delay timer. Shows the Set temperature while setting the temperature in Quiet, Cool or Eco modes.

3. Temp and Delay Increase + /Decrease - Pads

Use to set temperature or delay time. Temperature can be set in Quiet, Cool and Eco mode.

4. Mode Pad

Use to set the air conditioner to Fan Only, Cool, Eco or Quiet mode.

5. Fan Speed Pad

In Cool or Eco mode: Use to set the fan speed to Auto, High, Med or Low on the unit.

In Fan Only mode: Use to set the fan speed to High, Med, or Low on the unit.

In Quiet mode, the fan speed will automatically be set to Low.

6. Delay Pad

Delay ON—When the air conditioner is off, it can be set to automatically come on in 1 to 24 hours at its previous mode and fan settings.

Delay OFF—When the air conditioner is on, it can be set to automatically turn off in 1 to 24 hours.

How to set:

Press the Delay pad. Each touch of the Increase + / Decrease - pads will set the timer in 1-hour intervals.

To review the remaining time on the Delay timer, press the Delay pad. Use the Increase + / Decrease - pads to set a new time if desired.

To cancel the timer, press Decrease V pad until the set time is zero.

7. Filter Reset Pad

This feature automatically notifies you that the air filter must be cleaned. The indicator light will come on after 250 hours of operation. Clean the air filter (refer to page 7), place it back in the front panel, and press the Filter Reset pad. The light will go off.

8. WiFi Connect Pad

Enables connection of the air conditioner to the home WiFi. Download SmartHQ App for details at: [GE Appliances.com/connect](http://GEAppliances.com/connect).

Do Not Operate in Freezing Outdoor Conditions

This cool-only air conditioner was not designed for freezing outdoor conditions.

It must not be used when the outdoor temperature is below freezing (32°F).

Control Panel Lights On/Off Feature

This air conditioner has a control panel lights on/off feature where its lights will turn off when there is no activity with the controls for over one minute. To wake up the controls, press any pad on the controls and the lights will come on to show the previous settings.

To turn this feature off, press and hold the Delay pad, on the unit, for 5 seconds. The unit will beep to signal the successful toggle of the feature on and off.

Control Panel Sound On/Off Feature

This air conditioner has a control panel sounds on/off feature where the sounds that occur when a button on the user interface is touched can be turned on or off.

This feature is turned on by default, meaning that the air conditioner will make a sound when any button is pressed on the user interface. To turn this feature off so as to make the button presses silent, press and hold the

Filter button on the user interface for 5 seconds. The air conditioner will beep to signal the successful toggle of this feature on and off.

Remote Control

To ensure proper operation, aim the remote control at the signal receiver on the air conditioner.

The remote control signal has a range of up to 20 feet.

Make sure nothing is between the air conditioner and the remote control that could block the signal.

Make sure batteries are fresh and installed correctly as indicated on the remote control.

Cool Mode

Use the Cool mode at Low, Med, High or Speed for cooling. Use the Temperature Increase + / Decrease pads to set the desired temperature between 64°F and 86°F in 1°F increments.

An electronic thermostat is used to maintain the room temperature. The compressor will cycle on and off and also change operating speeds to keep the room at the set level of comfort. Set the thermostat at a lower number and the indoor air will become cooler. Set the thermostat at a higher number and the indoor air will become warmer.

NOTE: If the air conditioner is off and is then turned on while set to a Cool setting or if turned from a fan setting to a Cool setting, it may take approximately 3 minutes for the compressor to start and cooling to begin.

Cooling Descriptions

For Normal Cooling—Select the Cool mode and

High or Med fan with a middle set temperature.

For Maximum Cooling—Select the Cool mode and High fan with a lower set temperature.

For Quieter and Nighttime Cooling—Select the Cool mode and Low fan with a middle set temperature.

Eco Mode

Controls the fan.

ON—The fan will cycle on and off with the compressor.

This may result in wider variations of room temperature and humidity. NOTE: the fan may continue to run

OFF—The fan runs all the time. while the compressor cycles on and off.

Fan Only Mode

Use the Fan Only Mode at Low, Med or High fan speed to provide air circulation and filtering without cooling.

Since fan-only settings do not provide cooling, a Set temperature cannot be entered. The room temperature will appear in the display.

Auto Fan Mode

Set to Auto for the fan speed to automatically set to the speed needed to provide optimum comfort settings with the set temperature.

If the room needs more cooling, the fan speed will automatically increase. If the room needs less cooling, the fan speed will automatically decrease.

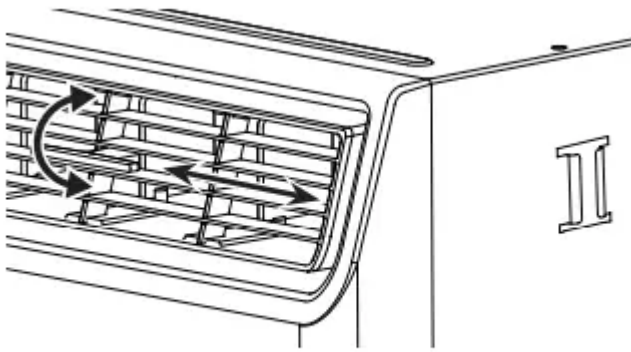
Quiet Mode

Quiet mode will ensure the most quiet mode of operation to satisfy the set temperature and provide room comfort in the space to be cooled. It is normal for the unit to operate for a longer period at lower energy consumption levels to achieve this. It is normal to hear the unit switching speeds if it senses the room becoming uncomfortable.

Note: It is not suggested to use QUIET MODE when the temperature is above 104°F(40°C).

Air Direction

Use the levers to adjust the air direction left or right. Tilt the louver bank to adjust up and down.



Care and Cleaning

Grille and Case

Turn the air conditioner off and remove the plug from the wall outlet before cleaning.

To clean, use water and a mild detergent. Do not use bleach or abrasives.

Air Filter

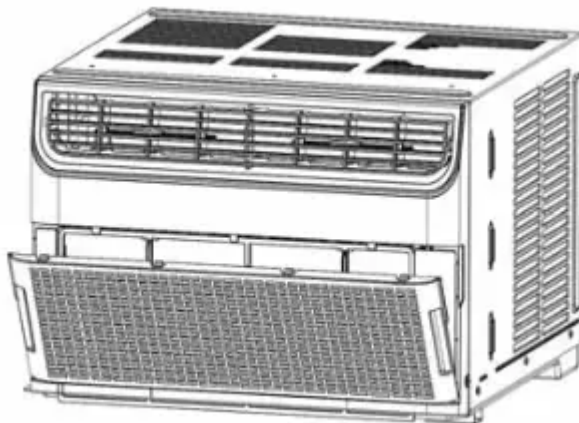
The air filter behind the front grille should be checked and cleaned at least every 30 days or more often if necessary.

To remove:

Open the inlet grille by pulling downward on the tabs at the top upper corners of the inlet grille until the grille is in a 45° position. Remove the filter.

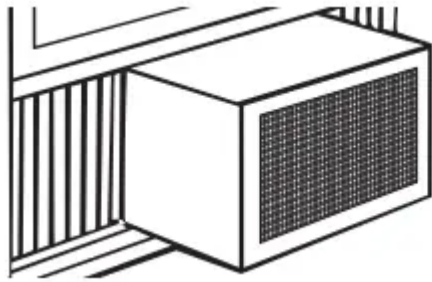
Clean the filter with warm, soapy water. Rinse and let the filter dry before replacing it. Do not clean the filter in a dishwasher.

CAUTION DO NOT operate the air conditioner without a filter because dirt and lint will clog it and reduce performance.



Outdoor Coils

The coils on the outdoor side of the air conditioner should be checked regularly. If they are clogged with dirt or soot, they may be professionally cleaned.



How to Insert the Batteries in the Remote Control

1. Remove the battery cover by sliding it according to the arrow direction.
2. Insert new batteries, making sure that the (+) and (-) of battery are installed correctly.
3. Reattach the cover by sliding it back into position.

NOTES:

- Use 2 “AAA” (1.5 volt) batteries. Do not use rechargeable batteries.
- Remove the batteries from the remote control if the system is not going to be used for a long time.
- Do not mix old and new batteries. Do not mix standard (carbon-zinc) or rechargeable (ni-cad, ni-mh, etc) batteries.

Troubleshooting Tips

Before you call for service

Save time and money! Review the charts on the following pages first and you may not need to call for service.

Air conditioner does not start.

The unit is unplugged.

Make sure the air conditioner plug is pushed completely into the outlet.

The fuse is blown/circuit breaker is tripped

Check the house fuse/circuit breaker box and replace the fuse or reset the breaker.

Power Failure.

The unit will automatically restart in the setting last used after the power is restored.

There is a protective time delay (approximately 3 minutes) to prevent tripping of the compressor overload. For this reason, the unit may not start normal cooling for 3 minutes after it is turned back on

The current interrupter device is tripped.

Press RESET button located on the power cord plug.

If the RESET button will not stay engaged. discontinue use of the air conditioner and contact a qualified service technician.

Air conditioner does not cool as it should.

Indoor airflow is restricted.

Make sure there are not curtains, blinds or furniture blocking the front of the air conditioner.

The temp control may not be set properly.

Turn the temperature control to a higher number.

The air filter is dirty.

Clean the filter at least every 30 days. See Care and Cleaning section.

The room may have been hot.

When the air conditioner is first turned on, you need to allow time for the room to cool down.

Cold air is escaping.

Check for open furnace registers and cold air returns.

Cooling coils have iced up.

See "Air conditioner freezing up" below.

Air conditioner freezing up

Ice blocks the air flow and stops the air conditioner from cooling the room.

Set the mode control to High Fan or High Cool with the temperature setting as high as it can be set.

Water drips outside

Hot, humid weather.

This is normal.

Water drips inside

The air conditioner is not tilted to the outside.

For proper disposal, make sure the air conditioner slants slightly from the case front to the rear.

Water collects in base pan

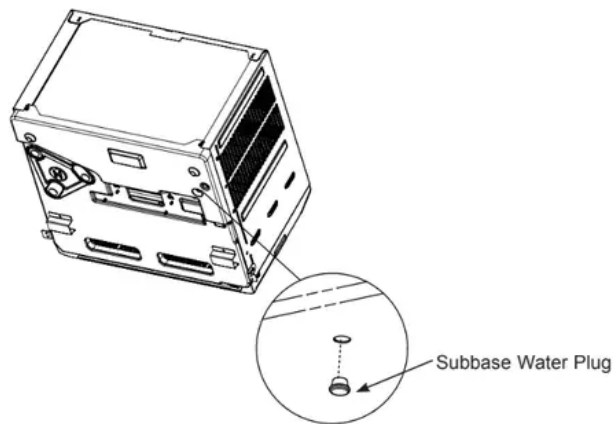
Moisture removed from air and drain into base pan.

This is normal for a short period in areas with little humidity; normal for a longer period in very humid areas.

TROUBLESHOOTING TIPS / WIFI SETUP

Normal Operating Sounds

- You may hear a pinging noise caused by water being picked up and thrown against the condenser on rainy days or when the humidity is high. This design feature helps remove moisture and improve efficiency.
- You may hear the thermostat click when the compressor cycles on and off.
- Water will collect in the base pan during high humidity or on rainy days. The water may overflow and drip from the outdoor side of the unit.
- The fan may run even when the compressor does not.
- Water droplets being thrown against the outside coils can make a pinging noise. This helps cool the condenser.
- You can reduce this noise by removing the subbase water plug.
-



To ensure maximum efficiency it is recommended to check to ensure the rubber drain plug is properly inserted.

This plug may be removed during operation to minimize water in the back of the unit; however, removing it will lower the efficiency of your unit.

NOTE: Do not drill hole in the base pan.

WiFi Setup

GE Appliances SmartHQ (for customers in the United States) GE Appliances SmartHQ Enabled*. If your Air Conditioner (AC) has a Connected Appliance Information label located on the outside as shown below. your AC is GE Appliances SmartHQ Enabled. A WiFi communication card is built into the product allowing it to communicate with your smart phone for remote monitoring. control and notifications. Please visit www.GEAppliances.com/

connect to learn more about connected appliance features. and to learn what connected appliance apps will work with your smart phone.



WiFi Setup

How it Works

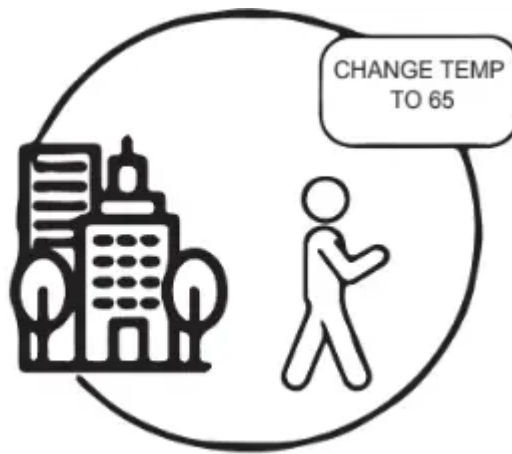
Download the GE Appliances App



Use the app to connect your room air conditioner to WiFi



Once connected, use the app to turn down your air conditioner as you leave work.



Getting Started

To connect your room air conditioner, you'll need the GE Appliances App. The app will walk you through the connection process. Download the app from iTunes or Google Play.

All connected appliance data is held in strict accordance with the GE Appliances Connected Data Privacy Policy. Visit geappliances.com/privacy/privacypolicy connected to view this policy.

Questions about SmartHQ

Get answers you need about setting up WiFi appliances and connecting to your home network in our support articles.

Visit products.geappliances.com/appliance/gea-support-search-content to view wifi connect room air conditioner support articles.

REGULATORY INFORMATION

FCC/IC Compliance Statement:

This device complies with Part 15 of the FCC Rules.

1. This device may not cause harmful interference.
2. This device must accept any interference received, including interference that may cause undesired operation.

This equipment has been tested and found to comply with the limits for a Class B digital device, pursuant to Part 15 of the FCC Rules. These limits are designed to provide reasonable protection against harmful interference in a residential installation. This equipment generates uses and can radiate radio frequency energy and, if not installed and used in accordance with the instructions, may cause harmful interference to radio communications. However, there is no guarantee that interference will not occur in a particular installation. If this equipment does cause harmful interference to radio or television

reception. which can be determined by turning the equipment off and on. the user is encouraged to try to correct the interference by one or more of the following measures:

- Reorient or relocate the receiving antenna.
- Increase the separation between the equipment and receiver.
- Connect the equipment into an outlet on a circuit different from that to which the receiver is connected.
- Consult the dealer or an experienced radio/television technician for help.

Labelling: Changes or modifications to this unit not expressly approved by the manufacturer could void the user's authority to operate the equipment.

*Select Models Only

This product has Wi-Fi capability and requires Internet connectivity and a wireless router to enable interconnection with an Energy Management System. and/or with other external devices. systems or applications.

Warning

This content is compiled from multiple sources and is provided for reference purposes only. It may not be complete or fully applicable to all situations. If you are unable to resolve your issue, please contact the product manufacturer or an authorized service provider for official support.