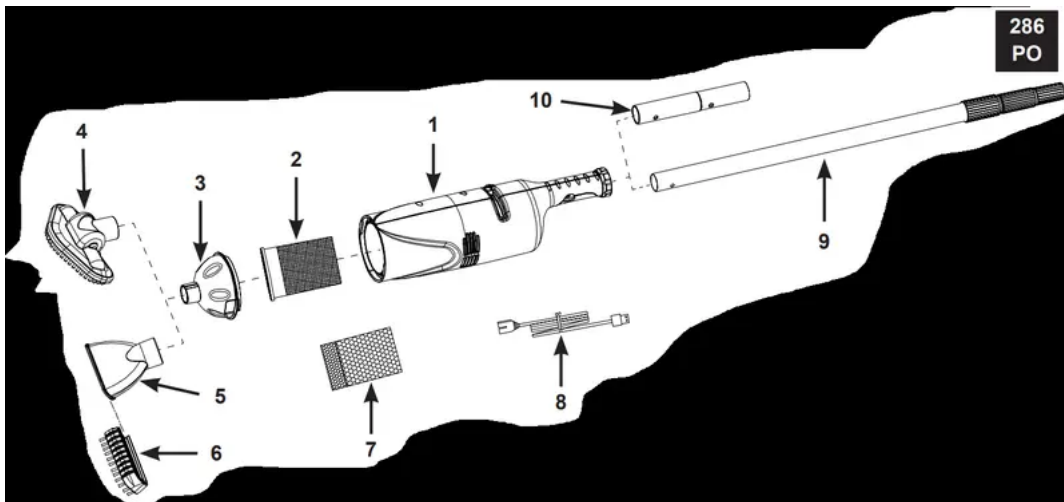


PARTS LIST



NOTE: Drawings for illustration purpose only. May not reflect actual product. Not to scale.



REF. NO.	DESCRIPTION	QTY.	SPARE PART NO.
1	VACUUM BODY WITH NON-REPLACEABLE BATTERY	1	12271A
2	FILTER BAG WITH GASKET	1	12278
3	VACUUM BODY COVER	1	12277
4	LARGE VACUUM BRUSH HEAD	1	12274
5	VACUUM NOZZLE	1	12275
6	VACUUM NOZZLE BRUSH	1	12276
7	MICRO-FILTER BAG	1	12279
8	VACUUM CHARGING USB CABLE	1	12269
9	TELESCOPING ALUMINUM POLE	1	10637
10	POLE ADAPTOR	1	12270

General:

- Plug charger not included. Only use a compatible standard female USB (smartphone or tablet) plug charger with an output voltage of 5-5.2V DC, 1A.
- A full charge takes about 8-10 hours: provides about 40-50 minutes of operation.
- Make sure the charging receptacle on the product is dry before any recharging.

Charging the Battery:

1. Connect USB cable to plug charger USB receptacle and plug the charger into the main electrical outlet.

2. Connect the small end of the USB cable (8) into the vacuum body (1) charging receptacle. See fig 1. The indicator light will turn on.

Installation:

1. Insert the filter bag with gasket (2) into the vacuum body See fig 2.1.

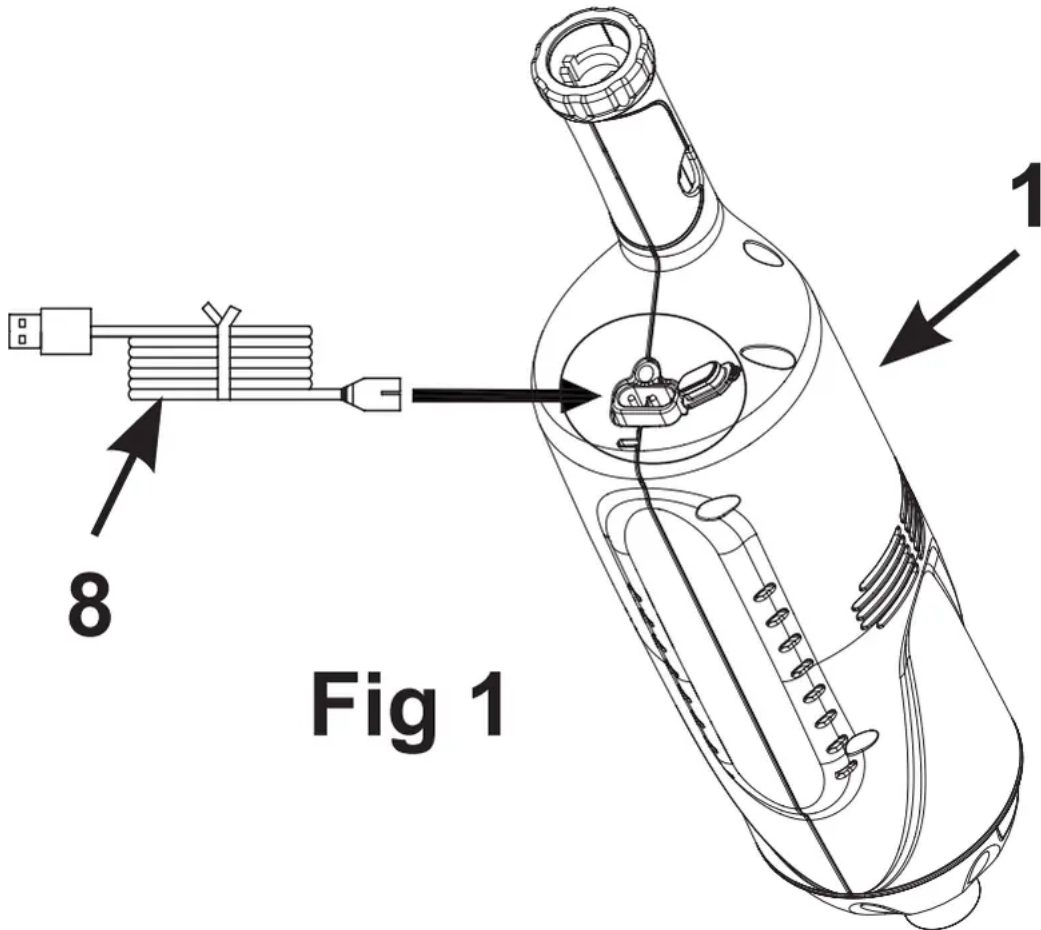


Fig 1

For vacuuming fine-small particles, insert the micro-filter bag (7) into the filter bag (2) before inserting the filter bag (2) into the vacuum body (1). See fig 2.2.

2. Install the vacuum body cover (3) onto the vacuum body (1). Turn the cover (3) clockwise to securely lock it to the vacuum body. See fig 3.

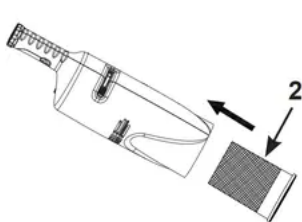


Fig 2.1

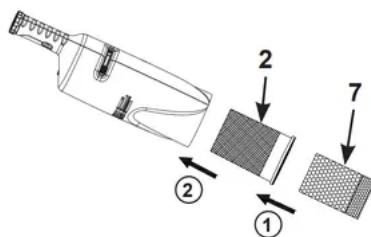


Fig 2.2

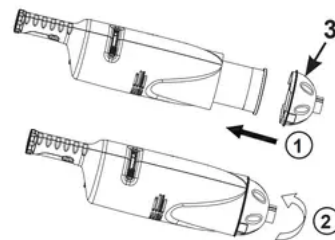


Fig 3

3. Attach the desired cleaning head accessory to the vacuum body cover. See fig 4. **Note:** The ridge on the vacuum body cover (3) matches the groove on the end of the vacuum brush head (4) or vacuum nozzle (5).

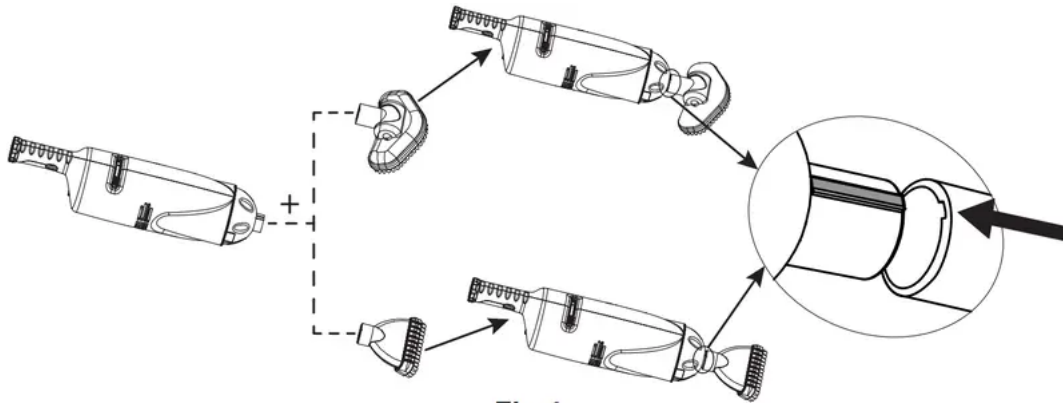


Fig 4

4. Attach the aluminum pole (9) by squeezing the spring buttons and inserting into handle of the vacuum body (1). Check the buttons “pop” into the holes. Adjust the length of the shaft by unlocking, extending and locking each section accordingly. See fig 5.

Optional: The included pole adaptor (10) can be used with other sizes of extension poles.

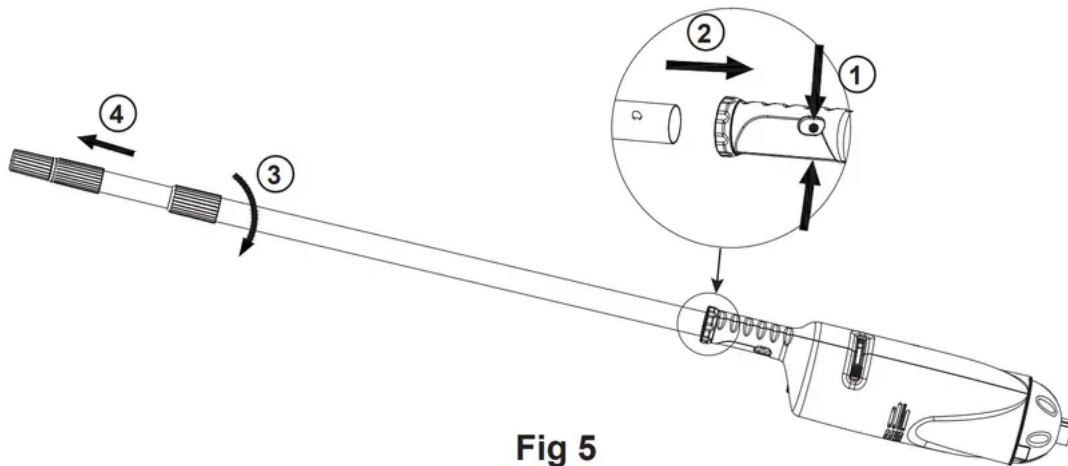


Fig 5

OPERATION

1. Make sure the USB receptacle is securely covered with the rubber flap first. See fig 6. Slide the switch to “1” first then place the vacuum in the water.

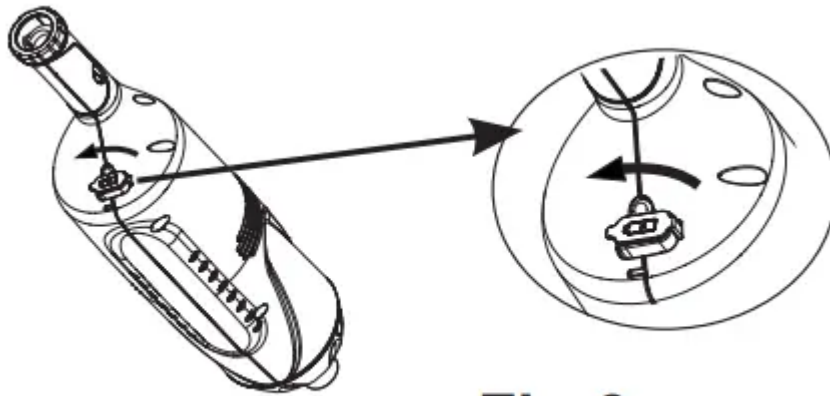


Fig 6

IMPORTANT The vacuum body will not operate unless it is submerged in water. Water flow from sides of the vacuum body indicates the product is working.

2. Carefully “sweep” the surface of the spa or pool to remove debris.
3. Check and empty the filter bag/micro-filter bag regularly during and after each use.
4. Reverse the above installation steps to remove and empty the filter bag/micro-filter bag.

Note: Rinse vacuum body, cover and filter bags with a garden hose before reassembling.

MAINTENANCE AND STORAGE

1. Turn off the vacuum before cleaning, servicing and maintenance. Regularly check all components for sign of damage. Discard and replace damaged components immediately.
2. Using the installation instructions in reverse, disassemble the vacuum. Clean all the components with water, and make sure all components are thoroughly dry before storage.
3. Store the product and accessories in a dry, temperature controlled, between 0° – 40°C (32°- 104°F), storage location.
4. The original packing can be used for storage.

TROUBLESHOOTING

TROUBLE	SOLUTION
VACUUM DOESN'T WORK	<ul style="list-style-type: none"> • Charge the product then turn on the unit. Ensure the unit is switched to "1". • Keep the vacuum body under the water.
LOW SUCTION	<ul style="list-style-type: none"> • Choose the suitable bag for filtering and install the filter bag(s) correctly. • Check and empty the filter bag(s) regularly during and after each use. • Check for any sand or deposits in the vacuum. • Contact Intex Service Center.
CHARGING FAILED	<ul style="list-style-type: none"> • Check the plug charger has an output voltage of 5-5.2V \pm 0.1, • Connect USB cable to plug charger USB receptacle and plug the charger into the main electrical outlet first, then connect USB cable into the vacuum body charging receptacle. • Tighten USB cable, the indicator should be on.

FAQ

What are the benefits of the Hydro Aeration system?

1. IMPROVED WATER CIRCULATION AND FILTRATION
2. IMPROVED WATER CLARITY
3. INCREASED NEGATIVE IONS AT THE WATER SURFACE

What is the pool liner made of?

Laminated PVC which is made with 3 separate layers of material for extra strength and durability - two outer layers of heavy gauge PVC laminated to an inner layer of polyester mesh for extra reinforcement.



Should I leave my pool outside in snow or freezing winter?

No. INTEX above-ground pools will collapse under the weight of ice and snow, and the PVC walls will be damaged.

Winterizing your Above Ground Pool

- Your pool can be easily emptied and stored in a safe place during the winter. However, many people choose to leave their pool up year round. In areas where freezing temperatures occur, there is risk of ice damage. It is recommended to drain, disassemble and store the pool in a safe place when temperatures drop below 32 degrees Fahrenheit. See "How To Drain Your Pool" section.
- Clean pool water thoroughly (If Easy Set Pool make sure the top ring is properly inflated).
- Remove the skimmer (if applicable) or any accessories attached to the threaded strainer connector. Replace strainer grid if necessary. Be sure all accessories parts are clean and completely dry before storage.
- Plug the Inlet and Outlet fitting from the inside of the pool with the plug provided (sizes 10' and 12'). Close the Inlet and Outlet Plunger Valve (15', 18', and 24').
- Remove the ladder (if applicable) and store in a safe place. Be sure the ladder is completely dry before storage.
- Remove the hoses that connect the pump and filter to the pool.
- Add appropriate winter chemicals. Consult your local pool dealer as different regions vary greatly.
- Cover pool with Intex Pool Cover. IMPORTANT: INTEX POOL COVER IS NOT A SAFETY COVER.
- Clean and drain pump, filter housing and hoses. Remove and discard old filter cartridge keep a spare cartridge available for next season).
- Bring pump and filter parts indoors and store in a safe and dry area, preferably heated.

STORING POOL FOR WINTER

- After draining pool, dry pool liner completely (100%). Sprinkle talcum powder on liner to prevent vinyl from sticking together and to absorb any water you may have missed.
- Roll pool liner to avoid creases and relocate to storage area. Place it in original carton if you saved it.
- Keep all small parts together with filter pump, manual, and pool, and then place in an area that will remain at room temperature throughout the storage season.

How long does it take to fill the pool with water?

Two or more hours, depending on pool size, hose size and water pressure. Remember to observe the fill up process for several minutes to make sure that the pool is filling evenly and the water surface is level inside the pool.

How to winterize the canopy?

Remove the canopy assembly from the frame pool and use a sponge and clean water to wipe away any soil or stains on the canopy. Store the canopy and accessories in a dry, temperature controlled between 0° - 40°C (32° - 104°F) storage location. The original packing can be used for storage.

Can I add pool chemicals directly into the Wall Mount Surface Skimmer basket or into the filter cartridge chamber directly?

No. Adding pool chemicals directly into the floating surface skimmer basket or into the filter cartridge chamber will cause the plastic parts to deteriorate faster due to high chemical concentration, and it will void the warranty. Pool chemicals shall be applied through a special pool chemical dispenser, consult with your local pool supplier specialist for details.

Can I use the pool with the sprayer on?

No, due to various local, state, national and international standards, the skimmer and sprayer cannot be operated while in the pool since the filter pump is not to be operated when the pool is in use and/or occupied.

What is the spray range for the Intex sprayer?

- The maximum range depends on the flow rate of the filter pump.
- For 1,000 - 1,500 gal/hr filter pump like Model 12R/22R and Model 635/636, the water can spray up to 9' with proper adjustment of the bypass valve.
- For 2,000 - 2,500 gal/hr filter pump as Model 51/52 and Model 633/634, the water can spray up to 23' by adjusting the bypass valve.
- For 3,000-gal/hr filter pump as Model 520R/530R the water can spray up to 24' by adjusting the bypass valve.

Which model filter pump or pools are compatible with the sprayer?

The sprayer can be used with all Intex filter pump models (except models M1, M2, 02, 03R, 603, 604, 637 & 638) and with chlorine generator/filter pump (saltwater pool system/filter pump) models 8111/8221/8231. All the Easy Set and Frame pools work with the sprayer as long as the liner has the proper inlet/outlet hose connectors.

SAFETY INSTRUCTIONS

- Assembly and disassembly by adults only.
- This is not a toy. Do not allow children to play with this product.
- Do not use if unit is damaged in any way. Replace damaged components promptly.
- This vacuum creates suction. Keep hair, loose clothing, fingers, and any body parts away from openings and moving parts.
- Use only accessories and replacement parts specified in this manual.
- Never leave this product plugged into the main outlet for long term storage.
- Never leave this product in the water when it is OFF or has run out of battery power.
- Do not use this product for pool opening (start of the season). This product is design for routine general maintenance of your pool or spa. Do not use for cleaning of longer accumulated heavy dirt such as at the start of the pool season.
- This product is designed for underwater use: must be submerged to operate properly.
- Do not use this product as an all-purpose vacuum cleaner.
- Do not use this product without the filter bag and/or vacuum body cover.
- Do not vacuum sharp objects, as this may damage the filter bag.
- Do not vacuum toxic substances, flammable or combustible liquids such as gasoline, or operate in the presence of explosive or flammable fumes.
- Never insert or drop objects into any opening on the device. Keep all openings free of leaves, debris, or anything that may reduce the water flow.
- Always turn off and unplug the device before cleaning, servicing, changing the filter bag or any routine maintenance.
- Keep the charging USB cable away from sharp objects and hot surfaces.
- Do not charge the product with a damaged charging USB cable and/or a damaged plug charger.
- Charge the product indoors in a clean and dry place. Do not expose to rain or extreme temperature and do not handle with wet hands during charging. Never charge the product while operating it.
- This product contains sealed nickel metal-hydrate (Ni-MH) rechargeable batteries.
- Do not dispose of product in regular trash, municipal waste stream or by fire as the built-in rechargeable battery may leak or explode. Always dispose of the batteries in accordance with your local law and regulations.
- This product is intended to be used only for the purposes described in the manual.

FOLLOW THESE RULES AND ALL INSTRUCTIONS TO AVOID PROPERTY DAMAGE OR OTHER INJURY.

Warning

This content is compiled from multiple sources and is provided for reference purposes only. It may not be complete or fully applicable to all situations. If you are unable to resolve your issue, please contact the product manufacturer or an authorized service provider for official support.

Document generated by [ManualsFile](#)