

## DISHWASHER FEATURES

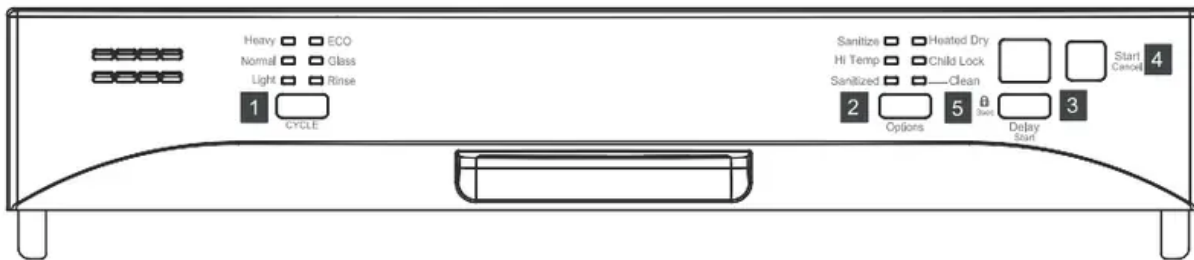
Capacity	14 place settings
Dimension	23.89 x 25.6 x 33.74inches (W x D x H)
Power Supply	120V,60Hz
Rated power usage	Wash motor 50W Heater 840W
Water Feed Pressure	20 ~ 120 psi (138 ~ 828kPa)



- 1. Top Spray Arm
- 2. Cup Shelf
- 3. Upper Spray Arm
- 4. Lower Spray Arm
- 5. Bottom Rack
- 6. Heating Element
- 7. Rinse Aid Dispenser
- 8. Detergent Dispenser
- 9. Tub Gasket
- 10. Adjustable Upper Rack



## OPERATING INSTRUCTIONS



### 1 PRO

With the dishwasher door close, you can press the PRO button to select the wash cycle. A light on the display will indicate which cycle has been selected.

#### Wash Cycle Selections

##### Heavy wash

This cycle is for hard-to-clean, heavily soiled pots, pans and dishes.

##### Normal wash

This cycle is for regularly soiled dinner dishes or silverware.

##### Light wash

This cycle is for lightly soiled and pre-rinsed dishes and silverware.

##### Eco

This cycle is for all items. It can determine the condition of soil on the dishes and initiate the optimal cycle to obtain the best cleaning performance.

##### Glass

This cycle is for delicate dishes or glasses.

##### Rinse wash

This cycle is for pre-rinsing dishes or glasses. This is only a rinse that keeps food from drying on your dishes and reduces odor buildup in your dishwasher until you are ready to wash a full load. Do not use detergent.

### 2 Options

When the wash cycle has been selected, you can choose options by pressing the "Options" button.

##### Sanitize

To sanitize your dishes and glassware, select the Sanitize option. When selected, the light above the pad will turn on and remain on until end of cycle. The water temperature in the final rinse will be raised. The option is available in Heavy and Normal Wash.

#### Hi-Temp Wash

This option can increase the water temperature in the main wash and rinse. This increase in water temperature helps the dishwasher detergent remove food, grease and soil from dishes more effectively. The option is available in Heavy and Normal Wash.

#### Heated Dry

This option is available on all cycles except rinse only. The Heated Dry option in combination with rinse aid will enhance drying performance. You can turn off by pressing Heated Dry so that the light goes off during the period of the washing.

### **3 Delay Start**

To delay the start of a selected cycle, press Delay /Start pad until the desired delay time shows in the LED indicator. It allows you to automatically start your dishwasher for a 1 to 24 hour delay.

To cancel the Delay Start option and begin the cycle before the delay period is over press the Start/Cancel pad.

### **4 Start/Cancel**

Push door firmly closed. The door latches automatically. Select the wash cycle and options desired, the indicator light above the pad will turn on. To start press the Start/Cancel pad once, the light will flash and the wash action begins. To cancel when a cycle is running, press Start/Cancel pad once and the dishwasher will start a 60 second drain and then shut off. At the end of the drain, you can select the desired cycle. When you want to load more dishes or pause the dishwasher while it is already running, make sure to open the door slowly and carefully as there is a possibility of injury from the hot steam inside the dishwasher. You can add more dishes before the main wash starts. Open the door and check the detergent dispenser. If the main wash section of the detergent dispenser is still closed, you can add items. If the door is opened while the dishwasher is running, a safety mechanism is activated and stops the cycle.

### **5 Child Lock**

You can lock all controls to prevent children from accidentally changing the dishwasher cycle or starting the dishwasher. Press and hold the Delay Start pad for 3 Seconds the lock graphic light will turn on. To unlock the control press and hold the Heated Dry pad for 3 seconds, the lock graphic light will turn off.

#### Indicator light

#### **Sanitize**

When "sanitize" option is selected, the temperature of the water will reach a maximum of 70°C (158°F).

Certified residential dishwashers are not intended for licensed food establishments. The sanitize cycle is NSF certified.

**Warning:** The sanitize option is available with "Heavy" "Normal" "Light" and "ECO" cycle.

### **Clean**

The clean light will turn on at the end of the cycle

### **Status Window**

#### **01-24**

If the Delay Start option is selected, the number of delay start hours shows in the Status Window. If the dishwasher is working and the wash cycle time is more than a hour, number of hours and minutes left shows alternately in the Status Window.

### **CL**

Flashes once the program has been entered and the Start/Cancel key is pressed. It also flashes if the door is opened during a wash cycle. Close the dishwasher door to begin or continue a wash cycle.

### **MINUTES**

Number of minutes left in a cycle (0-59 or 1H-2H). It shows hours and minutes alternately.

**NOTE** The remaining time could suddenly increase or decrease by several minutes. This means the Smart Sensor has checked the soil level and adjusted for the appropriate water fill level.

Program	Description of Cycle	Detergent(g)	Water(L)	Running time (min)	Running time with Hi temp(min)	Running time with Sanitize (min)
Heavy	Pre Wash	0/9.9	22.8	140	150	170
	Pre Wash					
	Wash(48°C)					
	Rinse					
	Rinse					
	Rinse(58°C)					
Drying						
Normal	Pre Wash	AHAM/CU Test : 0/19.9 DOE Test : 0/9.9 CU Test : 15/15	10.8~23.0	105~135	130	135~165
	Auto(42~48°C)					
	Rinse(50~58°C)					
	Drying					
Light	Pre Wash	0/9.9	11.4~19.3	115~120	125~130	145~150
	Auto(42°C)					
	Rinse(58°C)					
	Drying					
ECO	Pre Wash	0/9.9	19.3	105	115	150
	Pre Wash					
	Wash(40°C)					
	Rinse					
	Rinse(50°C)					
	Drying					
Glass	Pre Wash	0/9.9	19.3	120	/	/
	Pre Wash					
	Wash(48°C)					
	Rinse					
	Rinse(58°C)					
	Drying					
Rinse		0	8.0	20	/	/

**NOTE:** The NSF certified is Normal/Auto Cycle with the sanitize option selected. The CU test is Normal Cycle with the hi temp option selected.

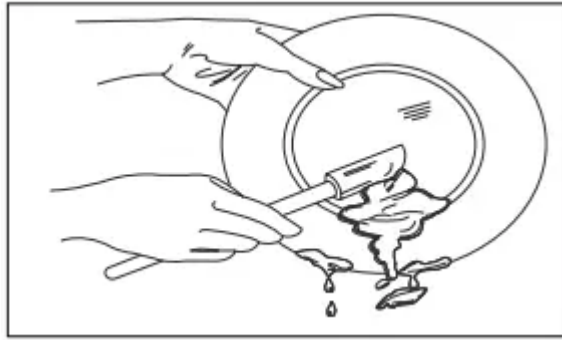
## PREPARING AND LOADING DISHES

### Dish preparation

Scrape away large pieces of food, bones, pits, toothpicks, etc. The continuous filtered wash system will remove the remaining food particles. Burned-on foods should be loosened before loading. Empty liquids from glasses and cups.

Foods such as mustard, mayonnaise, vinegar, lemon juice and tomato based products may cause discoloration of stainless steel and plastics if allowed to sit for a long period of time. Unless the dishwasher is to be operated at once it is best to rinse off these food soils.

If the dishwasher drains into a food disposer, be sure disposer is completely empty before starting dishwasher.

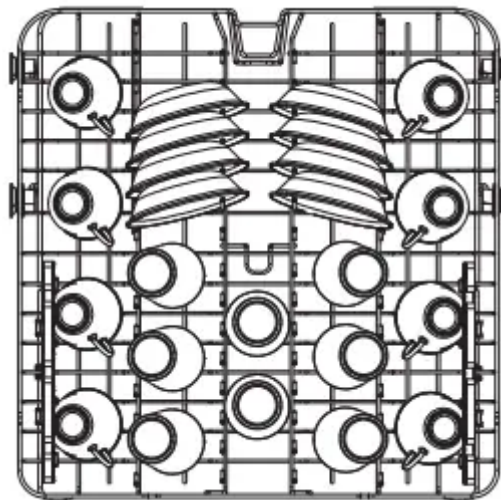


### Loading the upper rack

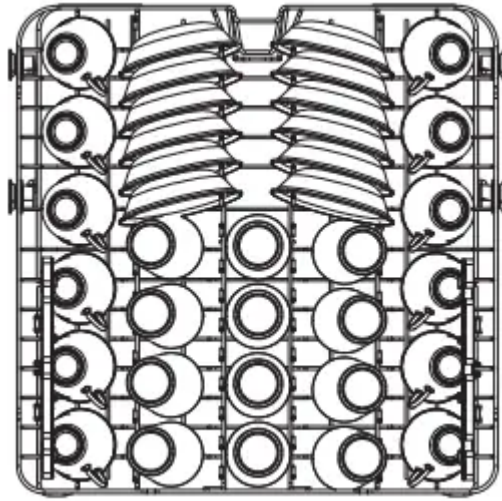
The upper rack is designed for cups, glasses, small plates, bowls and plastic items marked "dishwasher safe" etc. For best results, place the bowls, cups, glasses, sauce pans with soiled surface facing down or toward the center. Tilt slightly for better drainage.



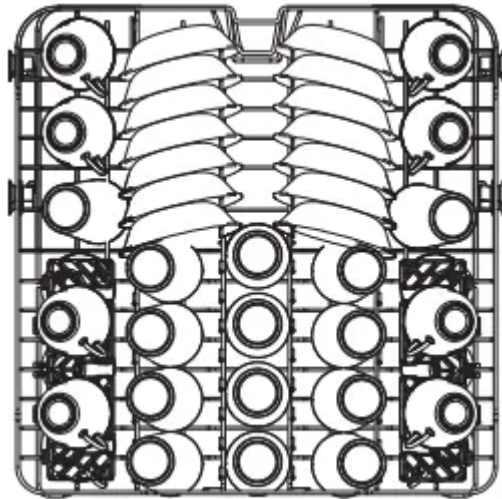
Make sure the loaded dishes do not interfere with the rotation of the middle spray arm, which is located at the bottom of the upper rack. (Check this by rotating the middle spray arm by hand.)



8 place settings standard loading pattern (For best washing performance, the upper rack should be in the raised position.)



12 place settings standard loading pattern



14 place settings standard loading pattern

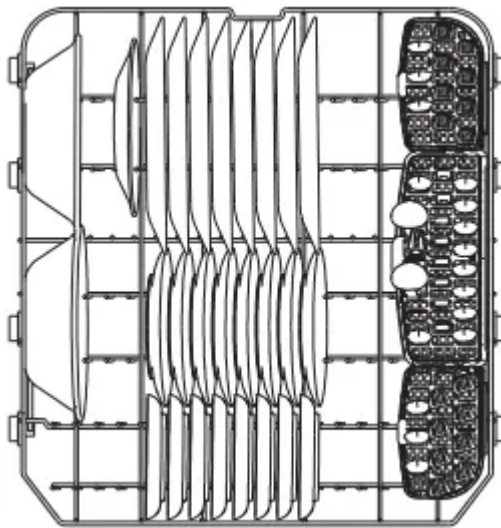
### Loading the Bottom Rack

The bottom rack is designed to load plates, soup bowls, plates, saucers and cookwares. The adjustable rack space will allow you to load maximum 13 inch items.

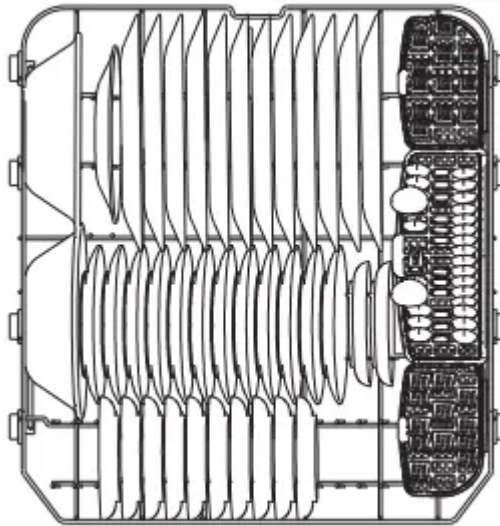


Large items should be placed along the edge so they do not interfere with the middle spray arm rotation, and make sure they do not prevent the detergent dispenser from opening. Large items should be turned so that the inside faces downward, and make sure these items do not interfere with the lower spray arm rotation.

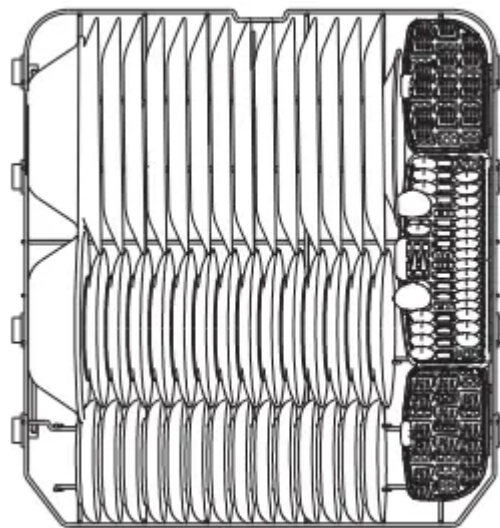
The fold-down tines in the bottom rack make it easy to load those extra large and hard-to-fit items. The tines may be left up for normal use or folded down for more flexible loading. Fold down for more space to load large pots or pans.



8 place settings standard loading



12 place settings standard loading pattern

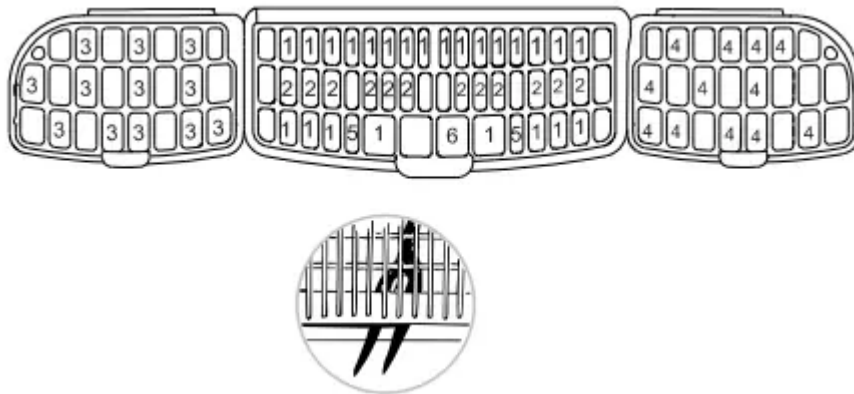



14 place settings standard loading pattern

## Loading the Silverware Basket

The silverware basket could be divided into three separate modules that can be used in both upper and lower racks

- 1.spoons
- 2.knives
- 3.salad forks
- 4.forks
- 5.large spoons
- 6.large forks



 **WARNING!** Do not let any item extend through bottom.



Be sure nothing protrudes through bottom of the basket or rack to block the lower spray arm.

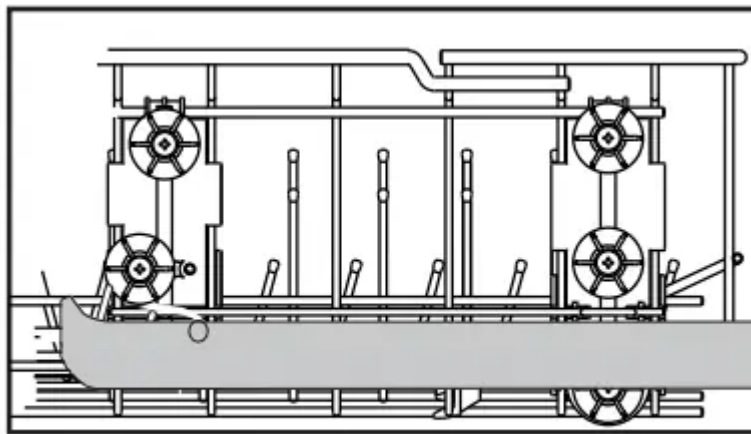
## Adding A Dish

To add or remove items after wash cycle starts:

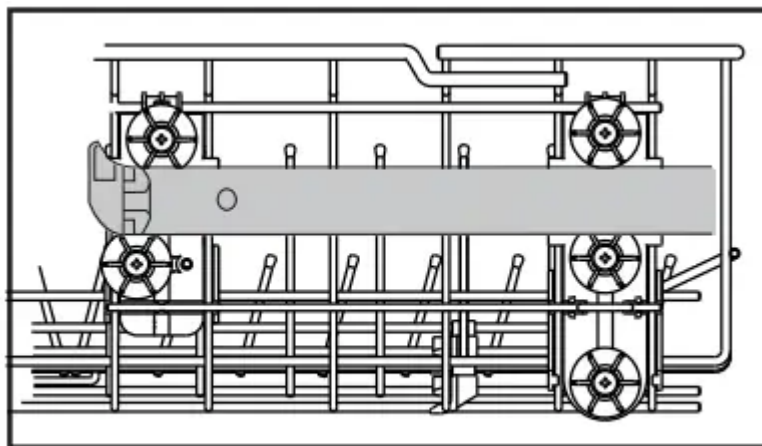
- 1 Open door slightly and wait a few seconds until wash action stops before completely opening.
- 2 Add the item.
- 3 Close door firmly to latch and cycle will automatically resume.

## Adjustable Upper Rack

The upper rack height can be easily adjusted to accommodate loading taller dishes in either rack. To accommodate taller dishes in the bottom rack, there are 2 positions available:



Upper Rack Position

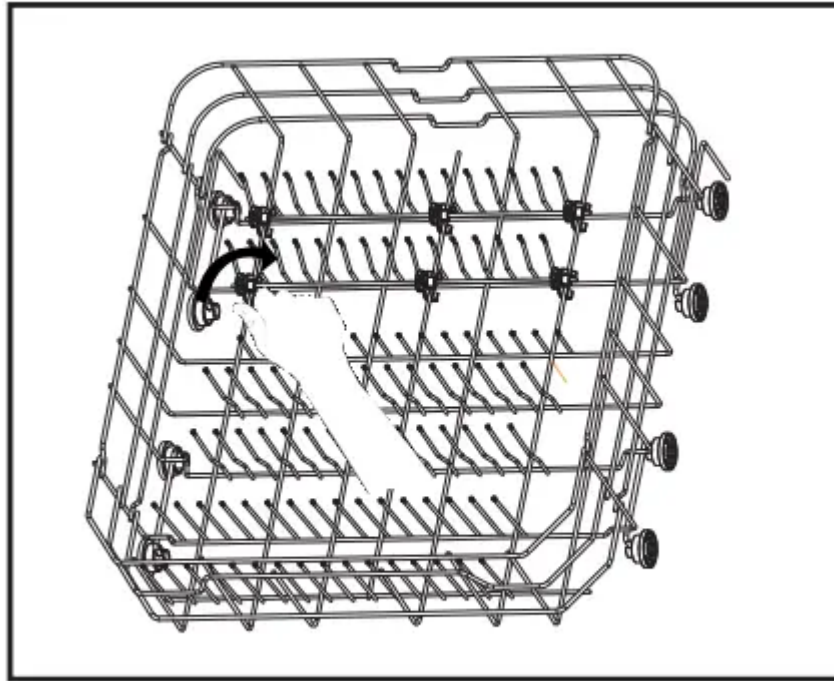


Lower Rack Position

**Note:** Height should be adjusted without dishes in the racks.

### **Fold-down Tines**

The fold-down tines in the rack make easy loading for those extra large and hard-to-fit items. The tines may be left up for normal use or folded down for more flexible loading. Fold down for more space to load large pots or pans.



Lower Rack

## DISHWASHER DISPENSER & DETERGENTS

### Filling the detergent dispenser

Rinse aid greatly improves drying and reduces water spots and filming. Rinse agent removes spots and prevents new film build up on your dishes, glasses, flatware, cookware and plastic. Without rinse aid your dishes and dishwasher interior will have excessive moisture. The Heated Dry option will not perform as well without rinse aid. The rinse aid dispenser, located next to the Detergent cup, automatically releases a measured amount of rinse aid during the last rinse.

If spotting and poor drying is a problem, increase the amount of rinse aid dispensed by rotating the dial to a higher number. The dial is located under the dispenser cap.

If the rinse aid is low, the Rinse Aid light is illuminated at the beginning and end of the cycle indicating that it is time to refill.

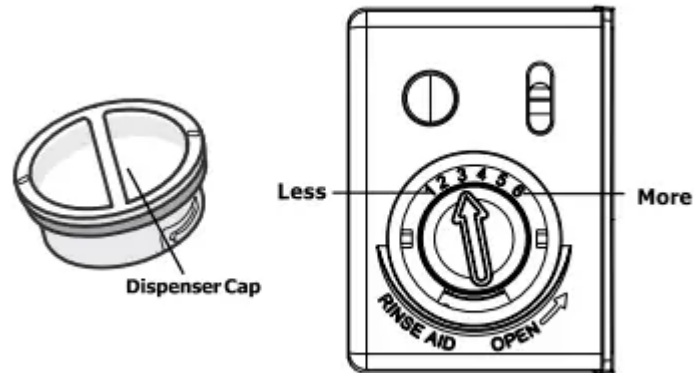


Your dishwasher is designed to use liquid rinse aid. The use of rinse greatly improves drying performance after the final rinse. Do not use a solid or bar-type rinse aid. Under normal conditions, the rinse aid will last approximately one month, try to keep it full, but do not over fill.

### Filling the Dispenser

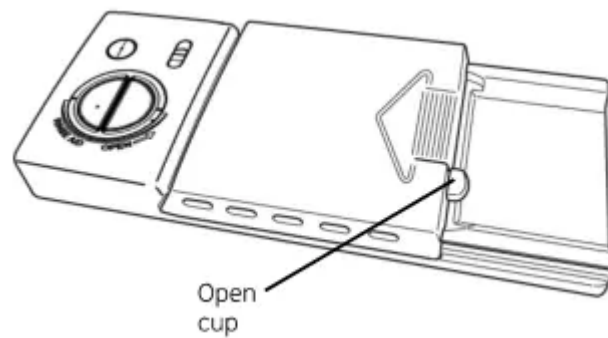
- 1 Try to keep it full, but do not over fill.
- 2 Turn the dispenser cap to the left and lift it out.

- 3 Add rinse agent until the indicator window looks full.
- 4 Clean up any spilled rinse agent with a damp cloth.
- 5 Replace the dispenser cap.

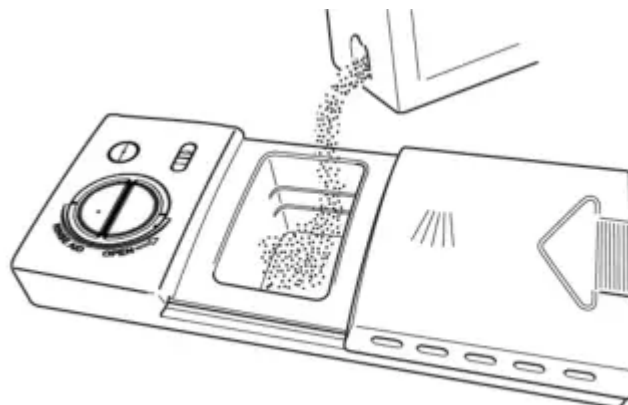


### Filling the rinse aid dispenser

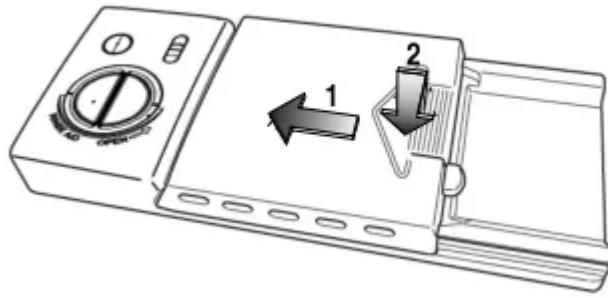
- 1. Push the dispenser cover latch downwards and open it.



- 2. Add the detergent to the main wash compartment.



- 3. After pouring the detergent into the container, close the lid, first pushing (1) and then pressing on it (2) until hear the click.



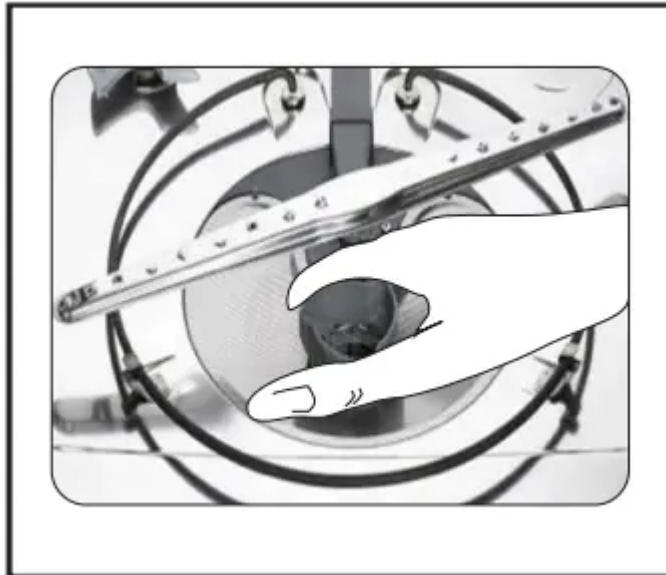
## CARE AND CLEANING

### Clean the Stainless Steel Inner Door and Tub

The tub is made of Stainless Steel, it will not rust or corrode if the dishwasher should be scratched or dented.

### Clean the Cylinder Filter

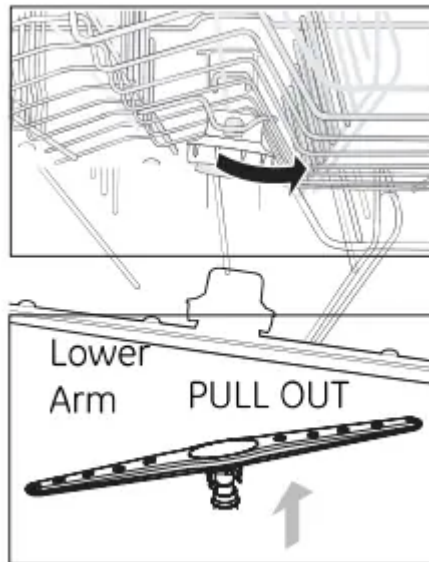
The Cylinder Filter is designed to collect some big items such as broken glass, bones and pits. The Cylinder Filter needs to be cleaned to maximize wash performance. Remove the lower rack, rotate the Cylinder Filter as shown, lift it out, empty and clean it by rinsing it under running water and replace.



Because hard water chemicals will clog the spray arm jets and bearings, it is necessary to clean the spray arms regularly. Wash the arms in soapy, warm water and use a soft brush to clean the jets. Replace them after rinsing thoroughly.

To remove the upper or middle spray arm, unscrew the nut clockwise.

To remove the lower spray arm, pull upward.



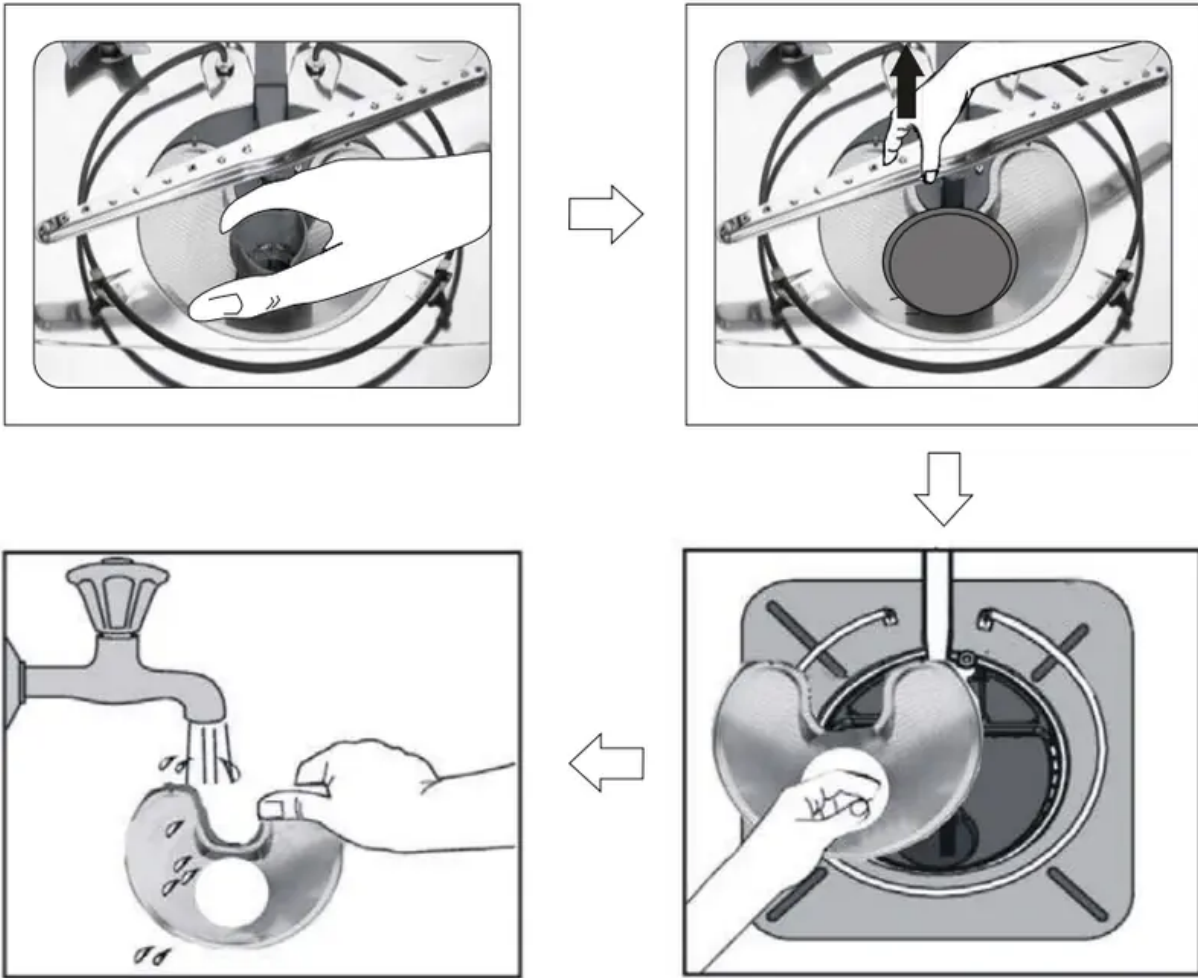
Clean the spots on the steel inner door and tub with a damp nonabrasive cloth.



**WARNING Burn Hazard** Allow heating element to cool before cleaning the interior. Failure to do so can result in burns.

### Clean the Fine Filter

Take out the Cylinder Filter and remove the Fine Filter from the dishwasher tub bottom. To remove the Fine Filter you must first remove the bottom spray arm as shown below. Flush the Fine Filter by holding it under running water and replace.



## SOLUTIONS TO COMMON DISHWASHING PROBLEMS

### **Dishwasher won't start**

Door may not be closed properly

- Shut the door completely make sure it is latched

Power supply or power line is not connected

- Check and connect the power supply

Delay Start option has been selected

- Refer to Delay Start section in this manual to rese

Child Lock activated (selected models)

- Deactivate the child lock, refer to child lock section in this manual

### **Dishwasher beeps at the end of the cycle**

It indicates the wash cycle finished, the dishwasher will beep

### **Rinse Aid light on**

The rinse aid level is low

- Add rinse aid

### **Dishwasher operates too long**

The dishwasher is connected to cold water

- Check the dishwasher, make sure it connected to the hot water supply

The cycle time will vary due to the soil

- When heavy soil is detected, the , normal, cycle will automatically increase the cycle time

The sanitize option is selected

- When sanitize option is selected, the cycle time will be increase to meet the sanitized temperature request

### **Dishes are not clean enough**

Water pressure is temporarily low

- Use you dishwasher when the water pressure is normal

The inlet water is low

- Make sure the dishwasher is connected to the hot water supply
- Try not use your dishwasher when hot water is being used elsewhere in the house

Dishes are loaded too close together

- Load the dishes again as the manual introduced

improper use of detergent

- Add detergent depending on the water hardness and the cycle you chose. Use fresh detergent.

The selected cycle is not suitable for food soil condition

- Choose anther cycle for longer washing time

Spay arms is blocked by some items er ea

- Make sure the spay arm is rotating freely

### **Dishes not drying enough**

Rinse Aid dispenser is empty

- Fill rinse aid dispenser or increase the amount of rinse aid.

Improper loading of dishes

- Load the dishes again as the manual introduction

The cycle you chose did not include the drying.

- Choose the proper cycle with drying

### **Spots and filming on dishes**

Water hardness is too high

- For extremely hard water install a water softener

Improper loading of dishes

- Load the dishes again as the manual indicates

Old or damp powder rinse aid is used

- Use fresh rinse aid

Rinse Aid dispenser empty

- Add rinse aid to the dispenser

### **Etching**

Using too much detergent

- Use less detergent if you have soft water

The inlet water temperature exceeds 150 °F

- Lower the inlet water temperature

### **Detergent left in dispenser cup**

Detergent may be too old

- Use fresh detergent

Spray arm is blocked

- Load the dishes, making sure the spray arms are not blocked.

### **Detergent dispenser will not shut**

Improper operation of the detergent cover

- Add the detergent and rinse aid as indicated by the manual

### **Water remains in the dishwasher**

Previous cycle has not finished or has been interrupted

- Select the proper cycle as indicated by the manual

### **Dishwasher does not drain properly**

Drain is clogged

- Check the air gap if you have

- Make sure the disposer is empty if the dishwasher is connected to the disposer

Drain hose is kinked

- Make sure the drain hose is properly connected to the sink

### **Suds in the tub**

Improper detergent is used

- Make sure to use only the automatic dishwasher detergent

### **Dishwasher leaks**

Excessive suds caused by using the improper detergent

- Make sure to use only the automatic dishwasher detergent

Dishwasher is not level

- Leveling the dishwasher (see the installation manual)

### **Black or gray marks on dishes**

Aluminum utensils have rubbed against dishes

- Chose a higher cycle
- Make sure the inlet water is no less than 120°F

### **Stained tub interior**

Coffee and tea soil

- Using a spot cleaner to remove the soil

Reddish stain

- Some tomato food will cause this. use of the rinse only cycle right after loading this will decrease the staining

### **Noises**

Detergent cup opening\Drain pump sound

- This is normal

A hard object has entered the wash module. When the object is ground up. the sound should stop.

- If the noise persists after a complete cycle. call for service.

### **Dishwasher won't fill**

Water valve is turn off

- Check if the water valve is turn on

Door latch may not be properly seated

- Make sure the door is closed

## Error Codes

When some malfunctions come on, the appliance will display error codes to warn you:

### **E1**

Longer inlet time.

- Faucets is not opened, or water intake is restricted, or water pressure is too low.

### **E4**

Overflow.

- Some element of dishwasher leaks .

### **WARNING!**

- If overflow occurs, turn off the main water supply before calling a service.
- If there is water in the base pan because of an overflow or small leak, the water should be removed before restarting the dishwasher.

#### **Warning**

This content is compiled from multiple sources and is provided for reference purposes only. It may not be complete or fully applicable to all situations. If you are unable to resolve your issue, please contact the product manufacturer or an authorized service provider for official support.