

User Manual for Patriot Lighting OW9235W

Table of contents

PREPARATION

Before beginning assembly, installation or operation of product, make sure all parts are present. Compare parts with package contents list and diagram on previous page. If any part is missing or damaged, do not attempt to assemble, install or operate the product. Contact customer service for replacement parts. Tools Required for Assembly (not included): Screwdriver, Phillips Screwdriver, Pliers, Electrical Tape, Wire Cutters, Safety Glasses, Ladder.

ASSEMBLY INSTRUCTIONS

Important to know

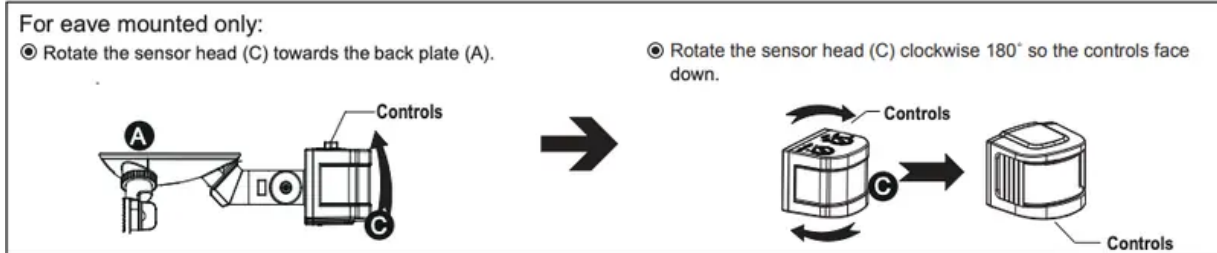
1. This fixture requires a 120 VAC, 60 Hz power source.
2. For general safety and to avoid any possible damage to the sensor, be sure the power is switched "off" before adjustment.
3. Motion sensor: turns light ON automatically when motion is detected and turns light OFF automatically when motion stops.
4. Photocell keeps the light OFF during daylight hours.

Note: Fixture can be wall mounted or eave mounted.



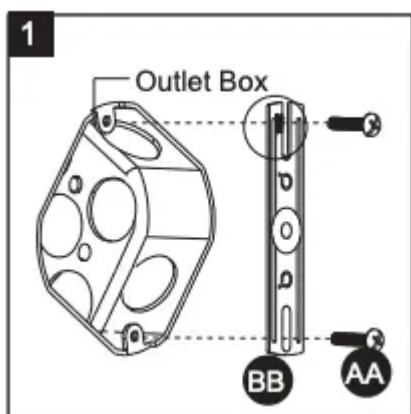
Read notes section on page 4 for additional information about mounting location of fixture. Light fixture and sensor should be mounted as shown above when installed (depending upon type of installation)

Before installing the light fixture under an eave, the sensor head must be rotated as shown in the next two steps for proper operation and to avoid the risk of electrical shock.

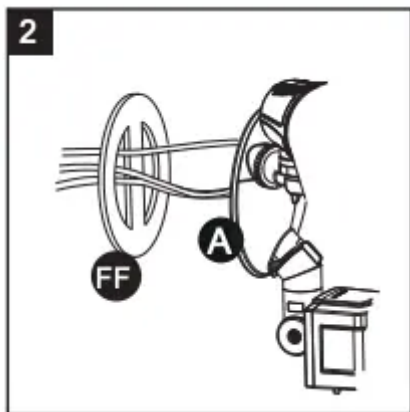


Installation Steps

1. Install the mounting strap (BB) to the outlet box with the stamped word "FRONT" facing away from the outlet box, using two mounting screws (AA) that best fit the outlet box. Back plate should sit flush against wall surface when secured. (Choose one matching pair of suitable mounting screws (AA) from the 3 pairs provided)

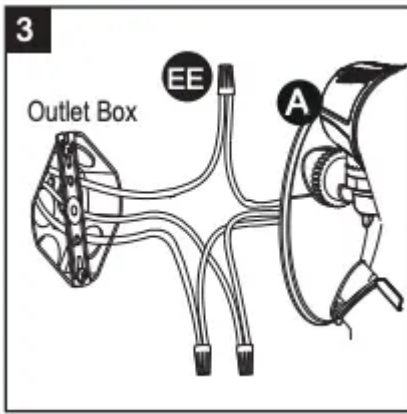


2. Fixture wires thread through gasket (FF), then attach the gasket (FF) into back plate (A).

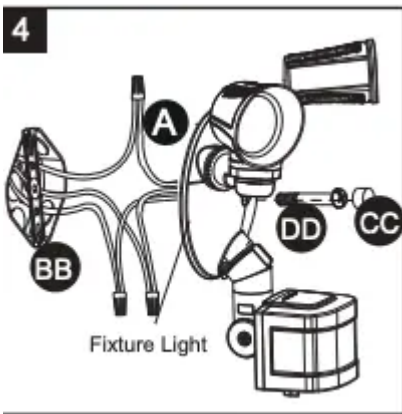


3. Pull out the source wires from the outlet box. Make wire connections using wire connectors (EE) as follows:

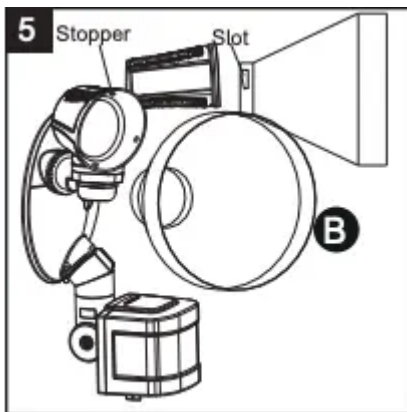
- Connect the black wire from the fixture to the "hot" wire from the power source. (usually black)
- Connect the white wire from the fixture to the neutral wire from the power source. (usually white)
- Connect the grounding wire from the fixture to the grounding wire from the power source. (usually green /yellow insulation) Carefully tuck the wires back into the outlet box.



4. Attach the back plate (A) of 4 the light fixture to the mounting strap (BB), secure it with the fixture mounting screw (DD). Push the decorative cover (CC) firmly into the fixture mounting screw (DD) hole on the light.



5. Align the three slots in the decorative shell (B) with the light head stoppers. Push the shell (B) in and then twist clockwise to lock. Repeat for the other shell (B).



6. Install bulbs (not included). See relamping label at socket area or packaging for maximum allowed wattage.



With silicone caulking compound, caulk completely around where the back plate meets the wall surface.

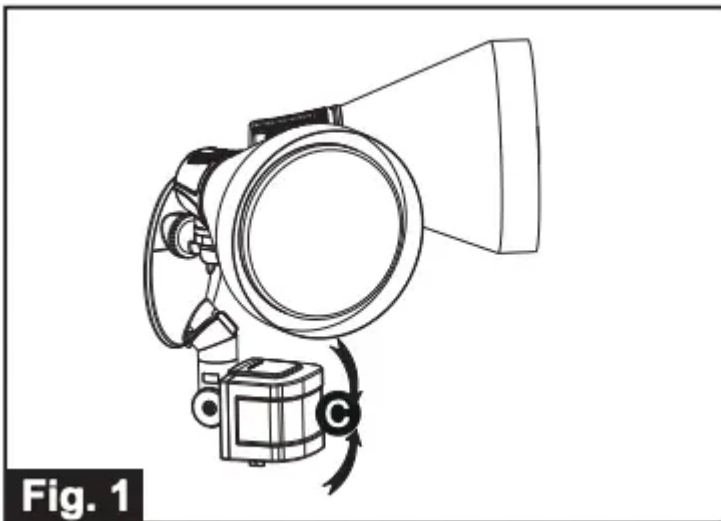
CAUTION: Be sure to caulk completely where the back plate meets the wall surface to prevent water from seeping into the outlet box.

Adjusting the Sensor Head (C):

1. Aim sensor head (C) toward desired detection area, maintaining a 5° - 40° downward angle to allow moisture to drain.

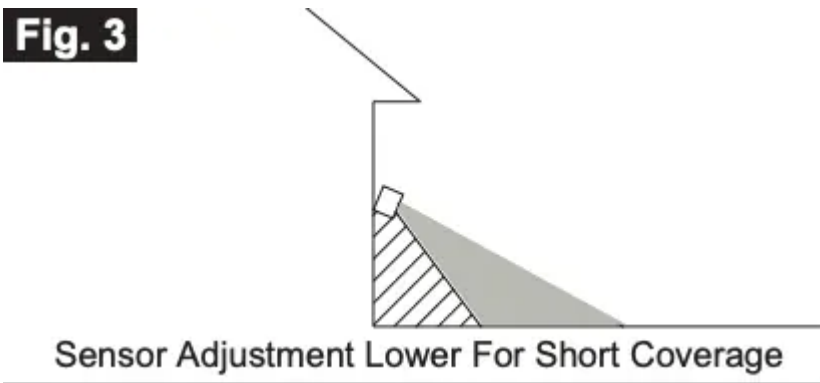
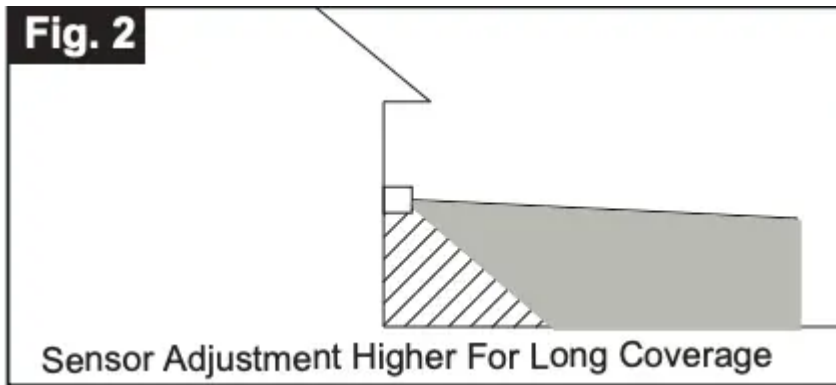
Note: Make sure sensor head (C) is positioned with controls facing toward the ground.

2. You can move the sensor head (C) up and down to change the coverage area. (See Fig. 1)



Note: Range set too high may increase false triggering. (See Fig. 2 and Fig. 3)





Sensitivity of Motion Sensor

- You can adjust the sensitivity of the motion sensor by using the “SENSITIVITY” selector located on the right side of the bottom surface of the sensor. (See Fig. 4)
- Adjust motion sensor sensitivity to achieve desired performance.
- Approximate range for each setting from 10ft to 70ft.

Adjusting the Light Head

1. Gently grasp the light heads (D) and tilt them left or right to adjust the light coverage area. Keep the light heads (D) at least 1” (25mm) away from the sensor. (See Fig. 5)
2. Keep the light heads (D) 30° below horizontal to avoid water damage and electrical shock.

Fig. 4

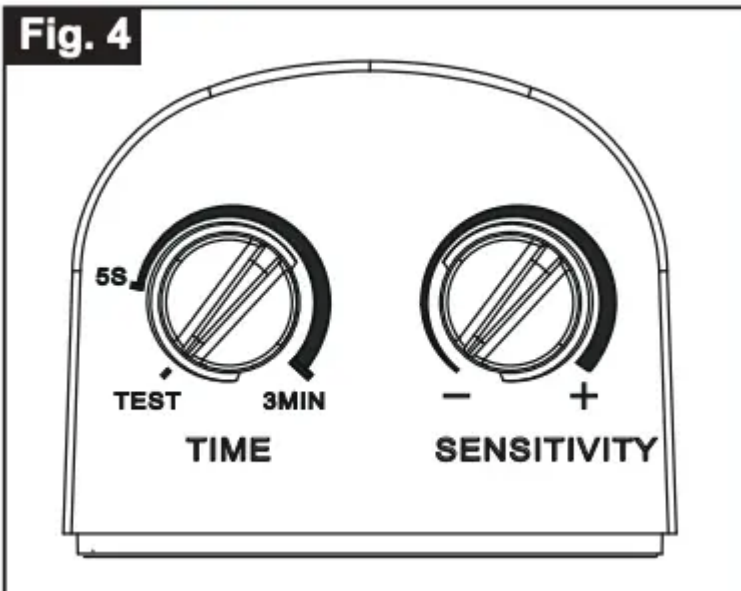
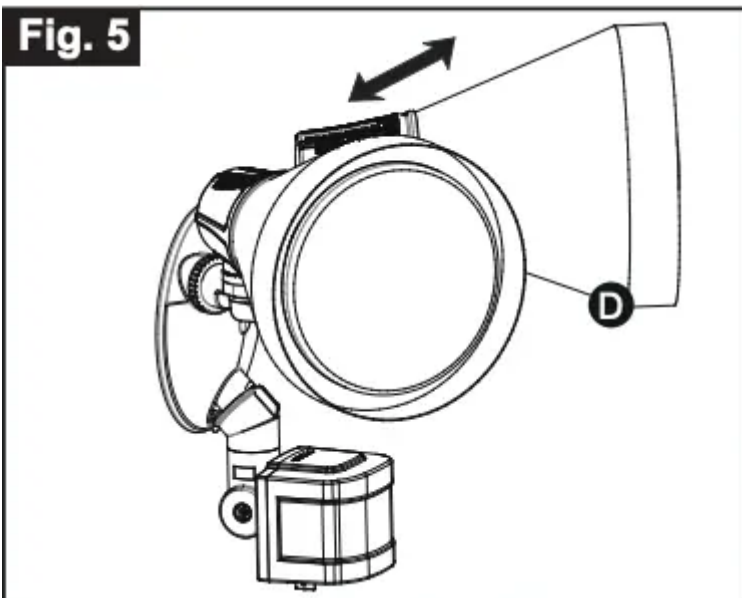


Fig. 5



FUNCTION AND OPERATION

Choose a mode by sliding the switch on the bottom of the sensor of the fixture. (See Fig.4)

Note: When power is first applied, the light will turn on immediately. Wait for 30 seconds to allow the sensor to warm up.

1. TEST MODE (daytime and nighttime operation.)

- The light turns on automatically when motion is detected, and stays on as long as motion continues. About 5 seconds after motion is no longer detected, it turns off automatically

2. AUTO MODE (nighttime operation only)

- To shift to the "AUTO" mode, rotate "TIME" knob arrow to the desired time setting (between 5 seconds and 3 minutes). At dusk, the light turns on when motion is detected, and stays on as long

as motion continues. When the motion is no longer detected, the light remains on for the predetermined time you set (5s ~ 3min), and then turns off automatically.

- The light turns off automatically at dawn.

Note: To make sure the above functions operate properly, always keep the wall switch in the “ON” position (including the daytime).

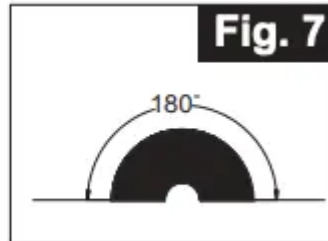
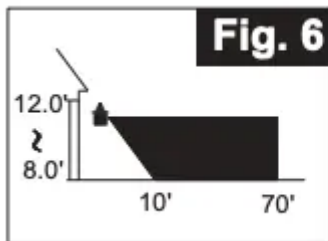
Customization Options

Shut-off Delay

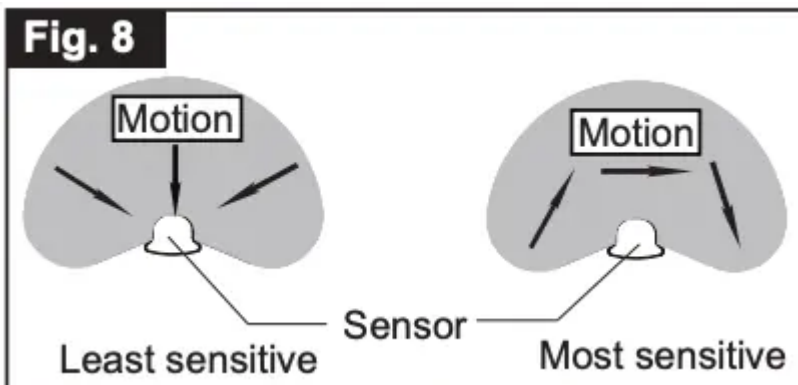
- The shut-off delay is the length of time the light will stay at brightness after motion is detected.
- You can set the shut-off delay by rotating the “TME” knob arrow so it points to the desired time setting (from 5 seconds to 3 minutes). To increase the shut-off delay, turn the knob clockwise. To decrease the shut-off delay, turn the knob counterclockwise.

Notes:

1. The sensitivity of the motion sensor will increase as the environmental temperature gets cooler. For best performance, gently clean the lens with a soft cloth every 1 or 2 months to ensure maximum sensitivity.
2. For best performance, install fixture at least 8 feet above the ground. At such a height, the fixture will provide a detection distance of up to 70 feet at 77 degrees Fahrenheit. (See Fig.6)

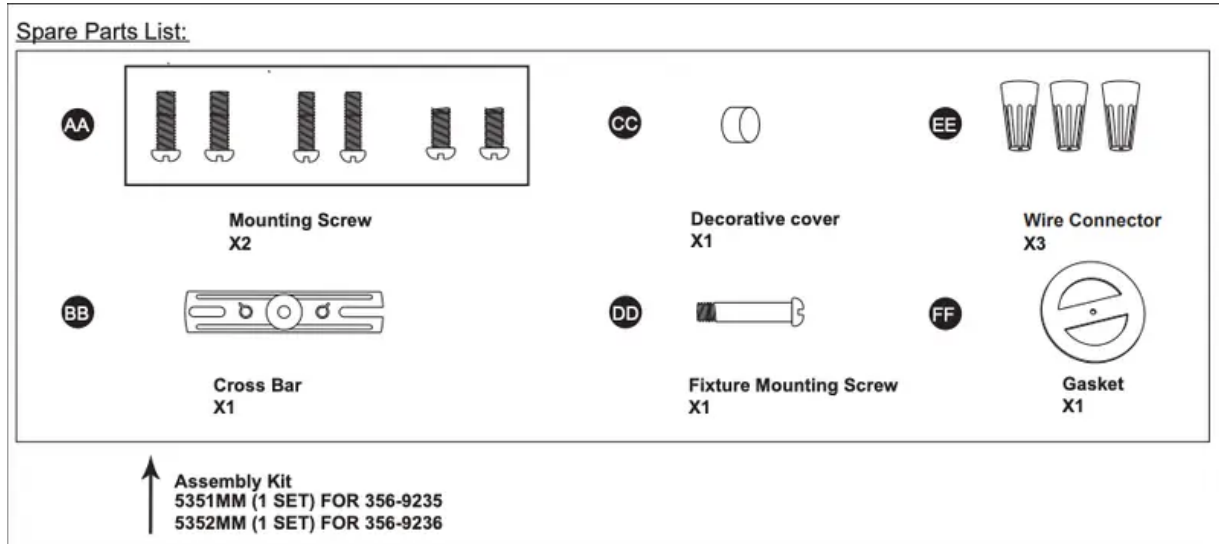


3. The sensor detects movement across a detection range of 180 degrees. (See Fig.7)
4. The sensor will be more sensitive to motion across its detection path than motion directly towards it. (See Fig.8)



5. To reduce possible nuisances, do not mount the fixture near a heat source like an air conditioner, vent or furnace exhaust, or in a direction facing any reflective object or other nearby light source.

The following parts are available for re-order if damaged or missing. Call us toll-free at 1-800-887-6326.



CARE AND MAINTENANCE

Clean the glass and coated metal surfaces with a non-abrasive cleaner. Do not use any cleaners with chemicals, solvents or harsh abrasives, The motion detecting lens is coated with a specially painted finish and requires special care when cleaning. Use only a soft dry cloth to dust or wipe the lens area.

TROUBLESHOOTING

---The light does not come on at all:

1. Make sure the wall switch and circuit breaker are on.
2. Make sure the wiring is correct.
3. Cover the sensor with dark color cloth to verify that the ambient light level is not too high.

---In AUTO Mode, the light stays on over 3min after motion is no longer detected:

1. Make sure there is no movement that could be picked up by the sensor.

If unable to fix any of the above issues, please consult a certified electrician.

FIVE-YEAR LIMITED WARRANTY:

If, during normal use, this PATRIOT LIGHTING lighting fixture breaks or fails due to a defect in material workmanship within five (5) years from the date of original purchase, simply bring this lighting fixture with the original sales receipt back to your nearest MENARDS retail store. At its discretion, PATRIOT LIGHTING agrees to have the product or any defective part(s) repaired or replaced with the same or similar PATRIOT LIGHTING product or part free of charge, within the stated warranty period, when returned by the original purchaser with original sales receipt. This warranty; (1) excludes expendable parts including but not limited to light bulbs; (2) does not cover damage that has resulted from abuse or misuse; and (3) does not cover any losses, labor, injuries to persons/property or costs. This warranty does give you specific legal rights and you may have other rights, which vary from state to state.

Warning

This content is compiled from multiple sources and is provided for reference purposes only. It may not be complete or fully applicable to all situations. If you are unable to resolve your issue, please contact the product manufacturer or an authorized service provider for official support.