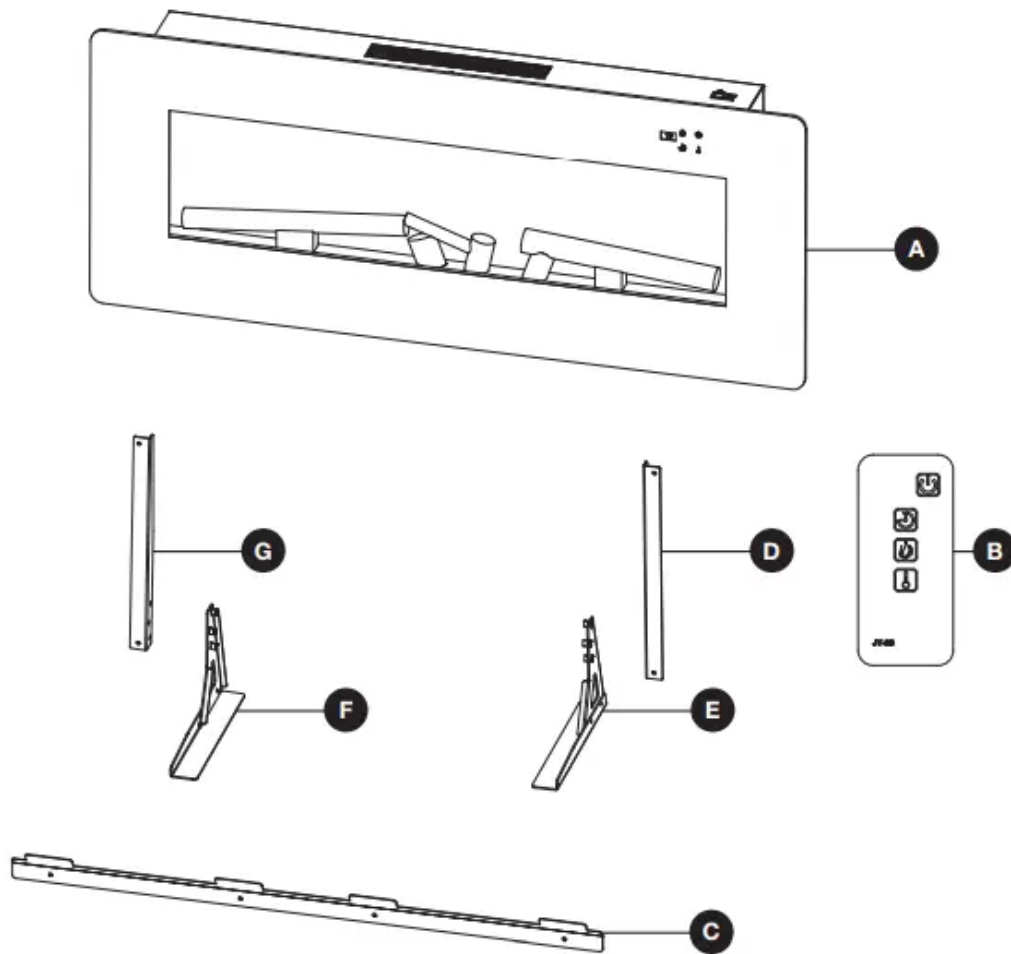
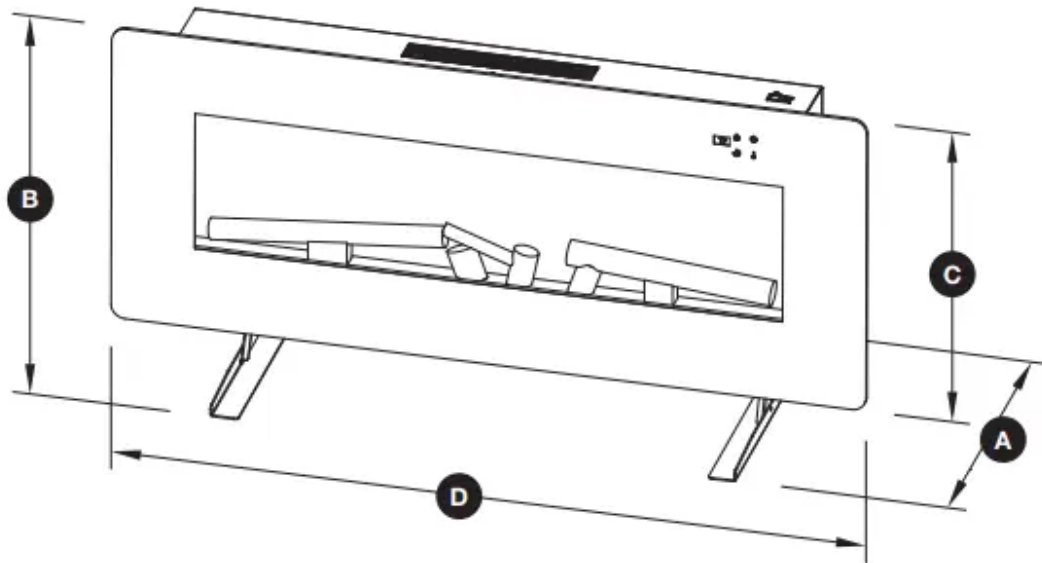


PACKAGE CONTENTS



PART	DESCRIPTION	QUANTITY
A	Electric Firebox	1
B	Remote Control	1
C	Wall Mounting Bracket	1
D	Right Foot Bracket	1
E	Right Foot Base	1
F	Left Foot Bracket	1
G	Left Foot Base	1

FIREPLACE DIMENSIONS



REF.	311-42-10
A	10.5 in.
B	21 in. with base
C	17.3 in. without base
D	42 in.

TECHNICAL SPECIFICATIONS	
Voltage	120V AC
Frequency	60HZ
Amps	11.7A
Rating	1400W

WARNING: Keep combustible materials, such as furniture, pillows, bedding, papers, clothes, and curtains at least 3 feet (0.9 m) from front, sides and rear of the heater.

CLEARANCE TO COMBUSTIBLES	
Sides	4 in. (101.6 mm)
Floor	0 in. (0 mm)
Top	36 in. (914 mm)
Front	36 in. (914 mm)
Rear	0 in. (0 mm)

PREPARATION

Planning Installation

Before you begin assembly, locate the instructions and hardware. Compare all parts with the Hardware Included and Package Contents lists. Be sure you have all the parts and can identify them. A helping hand is always good. Assemble your fireplace with an adult assistant if possible. Some pieces are heavy and will need to be held by a helper. Assembly time will take approximately 5-20 minutes.

Before assembly, use scissors to unwrap the parts from the packaging. Do not use a box cutter or exacto-knife, as you may cut into the heater pieces inside the box and damage the finish. Check for the hardware bag located inside the packaging, taped to the top of the box. Do not discard any pieces. Use an appropriate screwdriver to insert and tighten all screws.

CAUTION: This carton includes a GLASS panel! Always use extreme caution when handling glass. Failure to do so could result in personal injury or property damage.

Electrical Connection

WARNING: Electrical outlet wiring must comply with local building codes and other applicable regulations to reduce the risk of fire, electrical shock, and injury to persons.

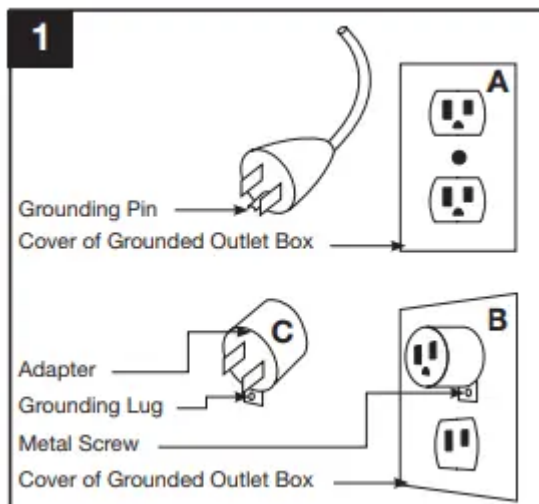
WARNING: Do not use this fireplace if any part of it has been under water. Immediately call a qualified service technician to inspect the fireplace and replace any part of the electrical system which has been under water.

A 15 Amp, 120 Volt, 60 Hz circuit with a properly grounded outlet is required to operate this appliance. Preferably, the appliance will be on a dedicated circuit, as other appliances on the same circuit may cause the circuit breaker to trip or the fuse to blow when the fireplace is in operation. The unit comes standard with a 6 ft (1.8 m) long 3-wire cord, exiting out the back of the fireplace. Plan the installation to avoid the use of an extension cord. If an extension cord must be used, it must be a minimum No. 14 AWG, 3-wire with grounding type plug and connector, and must be rated not less than 1875 watts. The extension cord shall not be more than 20 ft (6 m) in length.

Grounding Instructions

This heater is for use with 120 volts. The cord has a plug as shown at (A) in Figure 1. An adapter as shown at (C) is available for connecting three-blade grounding-type plugs to two-slot receptacles. The green grounding lug extending from the adapter must be connected to a permanent ground such as a properly grounded outlet box. The adapter should not be used if a three-slot grounded receptacle is available.

NOTE: Adapters are NOT for use in Canada.



REMOTE CONTROL

This Class (B) device complies with Part 15 of the FCC Rules and Canadian ICES-003. Operation is subject to the following two conditions:

(1) This device may not cause harmful interference, and (2) this device must accept any interference received, including interference that may cause undesired operation. There is no guarantee that interference will not occur in a particular installation. If this equipment does cause harmful interference to radio or television reception, which can be determined by turning the equipment off and on, the user is encouraged to try to correct the interference by one or more of the following measures:

- Reorient or relocate the receiving antenna.
- Increase the separation between the equipment and receiver.
- Connect the equipment into an outlet on a circuit different from that to which the receiver is connected.
- Consult the dealer or an experienced radio/TV technician for help.

This remote control requires 1 Lithium Coin Cell Battery (size CR2025), which is included.

CAUTION: Changes or modifications to this unit not expressly approved by the party responsible for compliance could void the user's authority to operate the equipment.

WARNING: DO NOT mix old and new batteries.

DO NOT use re chargeable silver oxide cell batteries with remote control unit.

DO NOT mix alkaline, standard (Carbon-Zinc), or rechargeable (Nickel-Cadmium) batteries.

DO NOT dispose of batteries in fire. Improper disposal may cause batteries to leak or explode.

PRE-INSTALLATION

Tools Required (not included)



Safety Goggles

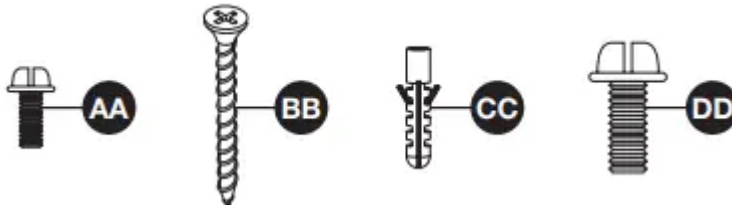


Phillips Screwdriver



Hardware Included

NOTE: Hardware shown not actual size.

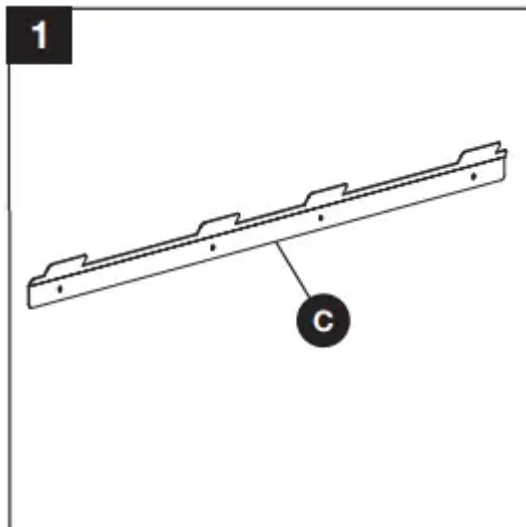


Part	Description	Qty.
AA	Small Bolt	4
BB	Large Wall Screw	4
CC	Wall Anchor	4
DD	Large Bolt	6

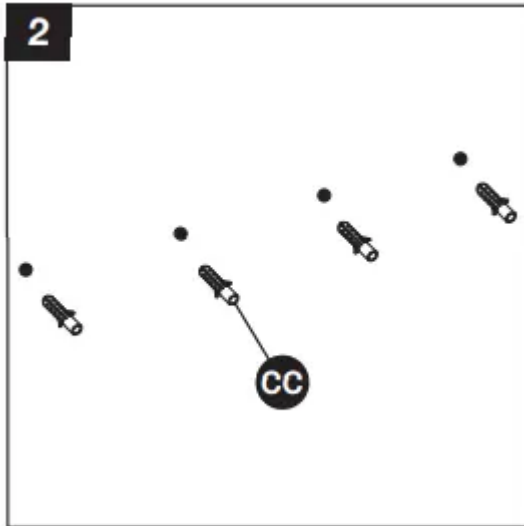
INSTALLATION: WALL MOUNT

1. Choose a solid wall. Position the mounting bracket (C) where the electric firebox (A) is to be installed on the wall, and ensure that the mounting bracket (C) is level.

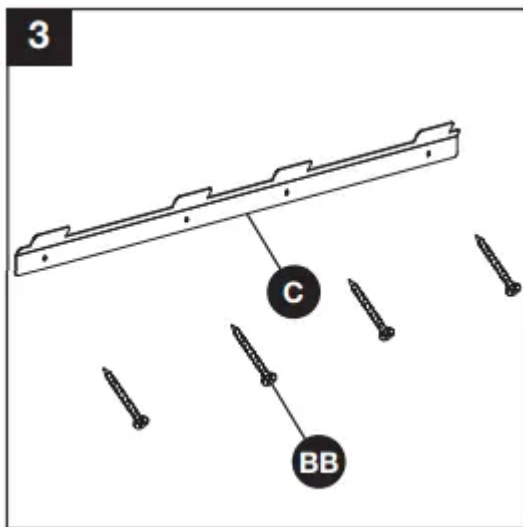
Use a pen to mark the 4 mounting holes on the wall at the desired mounting location, using the mounting bracket (C) as a template.



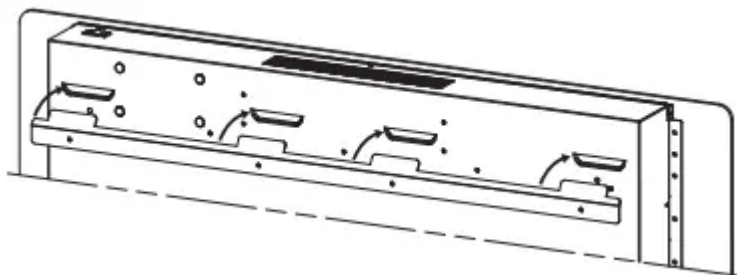
2. Insert the 4 self-drilling wall anchors (CC) into the wall where previously marked. If installing the mounting bracket (C) to a wall stud, there is no need to drill the holes in the wood and no need for the plastic wall anchors (CC). It is recommended to install the mounting bracket to at least one stud.

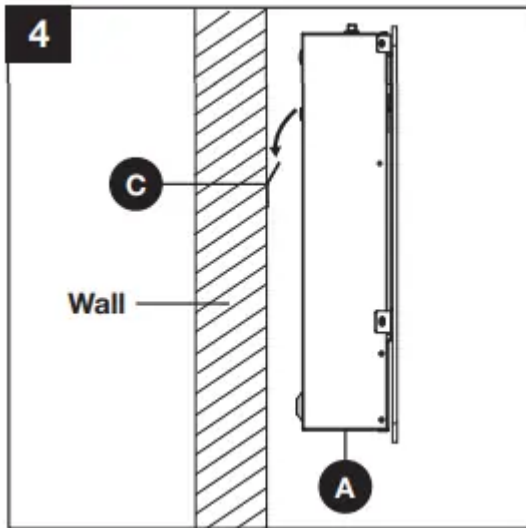


3. Secure the mounting bracket (C) to the wall using 4 large screws (BB).



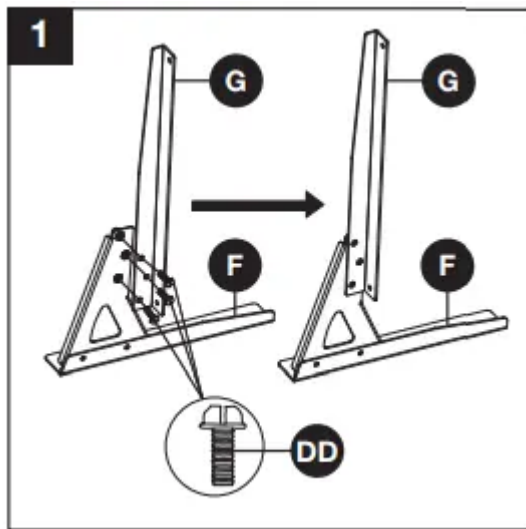
4. Hang the electric firebox (A) on the mounting bracket (C).



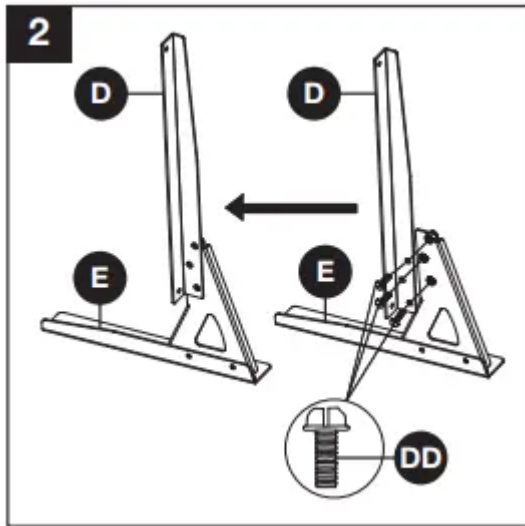


INSTALLATION: TABLE TOP

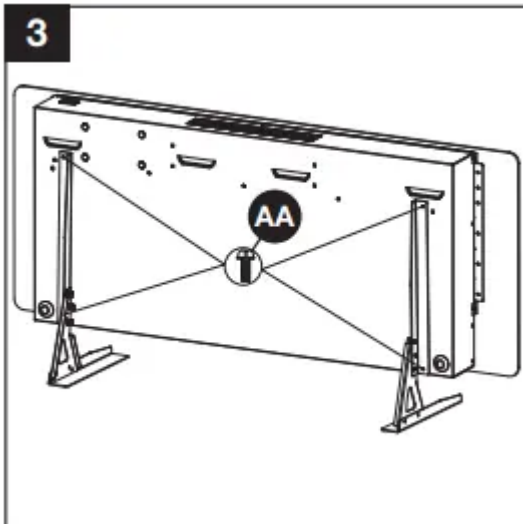
1. Attach the left bracket (G) to the feet Left base (F) using 3 large screws (DD).



2. Attach the Right bracket (D) to the feet Right base (E) using 3 large screws (DD).



3. Use a screwdriver to secure the mounting firebox (A) to the left and right table top stand with 4 small screws (AA).



OPERATING INSTRUCTIONS

Read All Instructions Before Use

Check that the heater outlet grill is not covered or obstructed in anyway, and make sure the power to the unit is switched on.

NOTE: This unit comes equipped with a switch on the top panel which disables the heater (See Figure 2). To enable the heater, please ensure the switch is in the "On" mode. The heater will function using the remote control or control panel on the front of the unit.

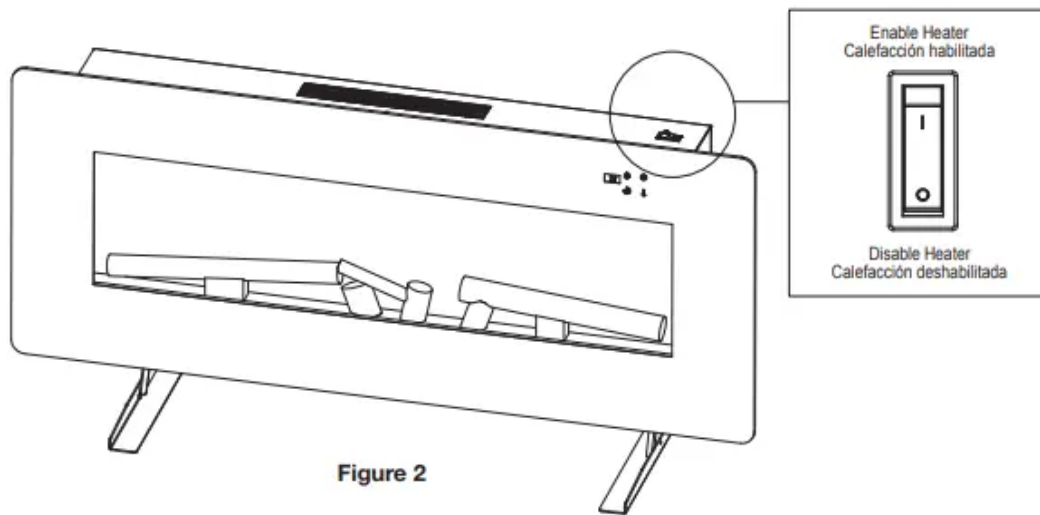
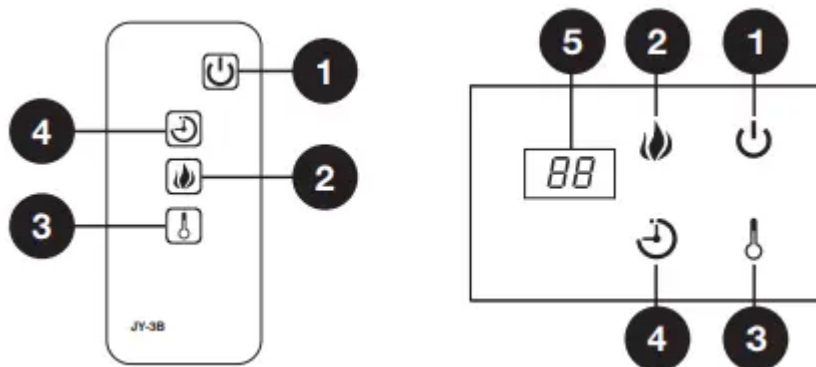


Figure 2

Using the Manual and Remote Controls

On the top-right side of the electric fireplace (A) is the control panel. The buttons on the front of the electric fireplace (A) and the remote control (B) function in the same way. The remote control has an effective range of up to 13 ft.

1. Power Button
2. Flame Control Button
3. Heater Control Button
4. Timer Control Button
5. Digital Display Panel



Check that the heater outlet grill is not covered or obstructed in any way, and make sure the power to the unit is switched on. The fireplace can be accessed in two ways: Using the touchpad control panel, or using the multifunction remote control unit.

Press the appropriate button to operate your fireplace:

Using the Power Button



- The main power button (1) is located on the control panel on the front of the electric fireplace.
- Pressing the power button (1) once turns the power on.
- Pressing the power button (1) again will turn the power off.
- If you find that none of the other buttons appear to work, check to make sure that the main power (1) is turned on.



Using the Flame Control Button



- Press the flame control button (2) to turn on the ember bed and flame effect.
- Pressing the flame control button (2) once turns flames on and lights the ember bed.
- Pressing the flame control button (2) again will cycle through different colors of the ember bed. The color rotation mode will cycle through different color settings continuously. Reference the table for more detailed information.

Button Press	Display Value	Ember Bed and Flame Color
1st Press	1	Orange
2nd Press	2	Green
3rd Press	3	Blue
4th Press	4	Orange/Green
5th Press	5	Orange/Blue
6th Press	6	Orange/Green/Blue
7th Press	7	Cycle

Using the Heater Control Button



This button controls the heater ON/OFF. When the temperature unit is set as “F” or “C”, the temperature scope is as shown in the table. To display the temperature setting in either Fahrenheit or Celsius, press the heat button (3) of control panel once, then press and hold the heater button (3) of control panel for 10 seconds. The display will switch between Fahrenheit or Celsius.

Button Press	Celsius Temperature	Button Press	Fahrenheit Temperature
1st Press	17 °C	1st Press	62 °F
2nd Press	18 °C	2nd Press	63 °F
3rd Press	19 °C	3rd Press	64 °F
4th Press	20 °C	4th Press	65 °F
5th Press	21 °C	5th Press	66 °F
6th Press	22 °C	6th Press	67 °F
7th Press	23 °C	7th Press	68 °F
8th Press	24 °C	8th Press	69 °F
9th Press	25 °C	9th Press	70 °F
10th Press	26 °C	10th Press	71 °F
11th Press	27 °C	11th Press	72 °F
12th Press	28 °C	12th Press	73 °F
13th Press	29 °C	13th Press	74 °F
14th Press	30 °C	14th Press	75 °F
15th Press	ON	15th Press	76 °F
		16th Press	77 °F
		17th Press	78 °F
		18th Press	79 °F
		19th Press	80 °F
		20th Press	81 °F
		21st Press	82 °F
		22nd Press	83 °F
		23rd Press	84 °F
		24th Press	85 °F
		25th Press	86 °F
		26th Press	ON

Using the Timer Control Button



Pressing the timer control button (4) will set the timer. This interval period is shown in the display (5) on the control panel on the front of the electric fireplace. The set intervals are as listed in the table.

NOTE: If this product experiences exceptionally high temperature, it may automatically stop heating. If this occurs the product should be unplugged or isolated from the main supply for a period of 5 minutes before the power is then resupplied.



Button Press	Timer Interval	Display Value
1st Press	1 Hour	1H
2nd Press	2 Hours	2H
3rd Press	3 Hours	3H
4th Press	4 Hours	4H
5th Press	5 Hours	5H
6th Press	6 Hours	6H
7th Press	7 Hours	7H
8th Press	8 Hours	8H

Heater Locking Function



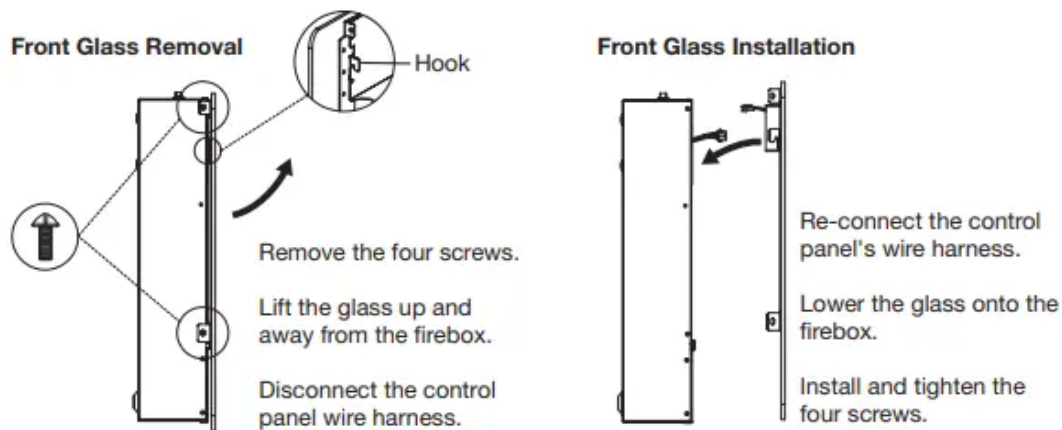
To turn off heat mode, press and hold the power button for 10 seconds to enter heat lock out mode. Flame lights will flash 6 times to signal the heat function is turned off and locked out. To turn on heat mode, press and hold the power button for 10 seconds. The flame lights will flash 6 times and the heat function will be restored. When the heat button is pressed in lock out mode, the ember bed will flash 6 times until the heating mode is turned on.

CARE AND MAINTENANCE

IMPORTANT: Always unplug the power cord before cleaning the unit. Allow the unit to cool before cleaning it.

- Wipe the exterior surface of the electric firebox occasionally with a soft, damp cloth (not dripping wet), and dry the exterior surface before operating.
- Do not immerse the electric fireplace in water.
- Do not use any cleaning chemicals such as detergents and abrasives.
- Do not allow the interior to get wet, as this could create a hazard.
- Light accumulated dust may be removed from the electric fireplace with a soft, dry cloth.
- To store the electric fireplace, put it back into its original packaging and store in a clean, dry place.
- The blower and flame motor are pre-lubricated for a durable using time and need no further lubrication or maintenance. Dust particles will accumulate on/in the electric fireplace, so periodic cleaning/vacuuming of the electric fireplace is recommended.
- Always turn the heater OFF and unplug the power cord from the outlet before cleaning.

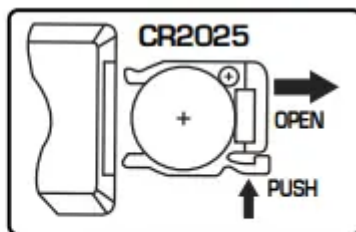
- Cleaning behind the front glass can be done by removing the front glass from the engine assembly. There are two screws on each side of the engine that hold the glass in place. Remove the four screws that hold the glass and then lift the glass up and away from the engine assembly. While holding the glass, disconnect the control panel wire harness from the engine assembly. Clean with a lint free damp cloth. To replace the glass, center the glass over the engine assembly and reconnect the control panel's wire harness to the engine assembly and lower the glass until it seats.
- Install the four screws that you removed into the brackets on each side of the glass. Tighten all the screws.



CAUTION: Do not mix old and new batteries. Do not mix alkaline, standard (carbon-zinc), or rechargeable (ni-cad, ni-mh, etc) batteries.

Battery Replacement Procedure

Battery Size CR2025



▼ RELEASE

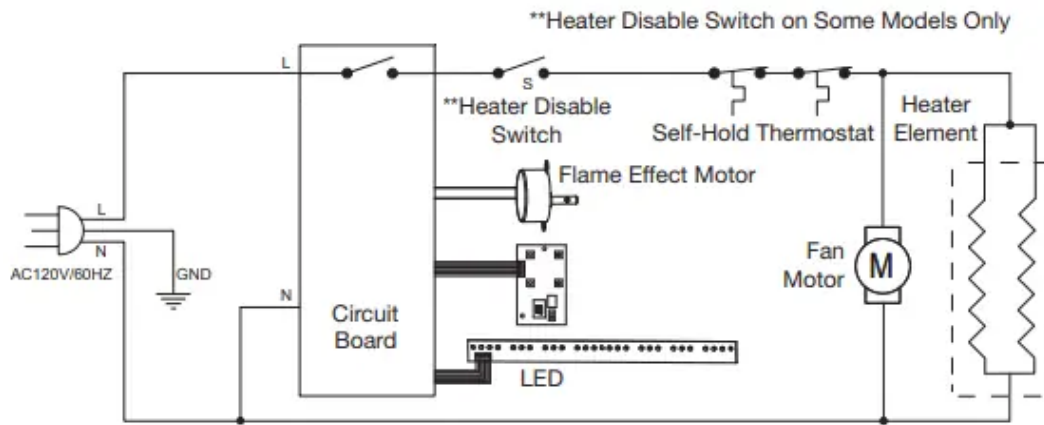
Disposal of Used Batteries



The battery may contain hazardous substances which could endanger the environment and human health. This symbol marked on the battery and/ or packaging indicates that used battery shall not be treated as municipal waste. Batteries should be disposed of at an appropriate collection point for recycling. By ensuring the used batteries are disposed of correctly,

you will help prevent potential negative consequences for the environment and human health. The recycling of materials will help to conserve natural resources. For more information about the recycling of used batteries, please contact your local municipality waste disposal service.

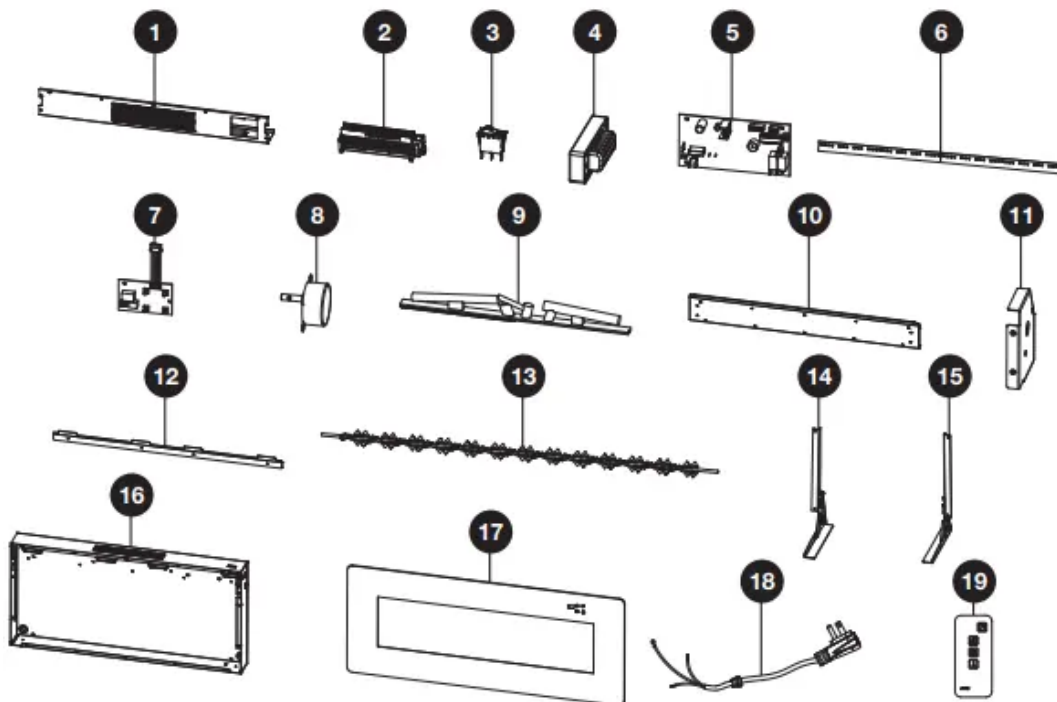
CIRCUIT DIAGRAM



WARNING: Disconnect power before servicing.

SERVICE PARTS

For replacement parts, please call customer service at 1-877-447-4768, 8:00 a.m. – 4:30 p.m. CST, Monday – Friday



PART	DESCRIPTION	PART #
1	Middle Panel	EF3114210001
2	Fan Heater	EF3114210002
3	Switch	EF3114210003
4	NTC Plastic Box	EF3114210004
5	Main PCB	EF3114210005
6	LED PCB	EF3114210006
7	Key PCB	EF3114210007
8	DC Motor	EF3114210008
9	Logset	EF3114210009
10	Bottom Cover Panel	EF3114210010

PART	DESCRIPTION	PART #
11	Motor Bracket	EF3114210011
12	Mounting Bracket	EF3114210012
13	Flame Reflector	EF3114210013
14	Left Table Top Stand	EF3114210014
15	Right Table Top Stand	EF3114210015
16	Back Housing Accessory	EF3114210016
17	Glass	EF3114210017
18	Power Cord & Connector	EF3114210018
19	Remote	EF33510AS-15

TROUBLESHOOTING

If you have any questions regarding the product, please call customer service at 1-877-447-4768, 8:00 a.m. – 4:30 p.m. CST, Monday – Friday.

PROBLEM	POSSIBLE CAUSE	CORRECTIVE ACTION
Fireplace does not operate.	<ol style="list-style-type: none"> 1. The fireplace is not plugged in. 2. A circuit breaker is tripped or a fuse blown. 3. Defective ON/OFF switch. 4. Loose wiring. 	<ol style="list-style-type: none"> 1. Make sure the fireplace is plugged in to a standard 120V outlet. 2. Check additional appliances on the circuit; ideally the fireplace should be on a dedicated 15 Amp circuit. 3. Call customer service. 4. Call customer service.
Power light is ON but the flame effect is not visible.	<ol style="list-style-type: none"> 1. Incorrect operation. 2. LED strip is not functioning. 3. Loose wiring. 	<ol style="list-style-type: none"> 1. Refer to operating instructions. 2. Call customer service. 3. Call customer service.
Heater is not operating.	<ol style="list-style-type: none"> 1. Incorrect operation. 2. Defective heater switch. 3. Defective heater assembly. 4. Loose wiring. 5. Dirty or clogged vents. 	<ol style="list-style-type: none"> 1. Refer to operating instructions. 2. Call customer service. 3. Call customer service. 4. Call customer service. 5. Unplug the unit. Clear vent area of dust and debris. Wait ten minutes, plug the unit in again and turn on the heater.
Display shows "E1".	<ol style="list-style-type: none"> 1. NTC is Defective. 	<ol style="list-style-type: none"> 1. Call customer service.
Excessive noise when the heater is operating.	<ol style="list-style-type: none"> 1. Defective fan. 2. Defective heater assembly. 3. Dirt/dust on fan. 	<ol style="list-style-type: none"> 1. Call customer service. 2. Call customer service. 3. Refer to maintenance section.



SAFETY INFORMATION

Please read and understand this entire manual before attempting to assemble, operate or install the product.

1. Read all instructions before using this fireplace.
2. Always unplug this appliance when not in use.
3. Children should be advised not to play with this fireplace.
4. Do not operate any heater with a damaged cord or plug or after the heater malfunctions, has been dropped or damaged in any manner. Return heater to authorized service facility for examination, electrical or mechanical adjustment, or repair.
5. Any repairs to this appliance should be carried out by qualified/authorized service personnel only.
6. Under no circumstances should this appliance be modified. Parts having to be removed for servicing must be replaced with original "OEM" (original equipment manufacturers) parts only.
7. Do not use outdoors.
8. This appliance is not intended for use in bathrooms, laundry areas, and similar indoor locations. Never locate this appliance where it may fall into a bathtub or other water container.
9. Do not run the cord under carpeting. Do not cover the cord with throw rugs, runners, or the like. Arrange the cord away from traffic areas and where it will not be tripped over.
10. To disconnect heater, turn controls to off, then remove plug from outlet.
11. Connect to properly grounded outlets only.
12. This appliance, when installed, must be electrically grounded in accordance with local codes, with the current CSA C22.1 Canadian Electric codes, or for USA installations, follow local codes and the National Electrical Code, ANSI/NFPA No. 70.
13. There is a thermostat limiter inside the fireplace. When the inner temperature overheats or abnormal heating occurs, the thermostat protective device will cut off power supply to avoid damage to the fireplace or risk of fire.
14. This appliance has hot and arching or sparking parts inside. Do not use it in areas where gasoline, paint, or flammable liquids are used or stored. This appliance should not be used as a drying rack for clothing, nor should Christmas stockings or decorations be hung on or near it.
15. Use this appliance only as described in this manual. Any other use not recommended by the manufacturer may cause fire, electric shock, or injury to persons.
16. The use of an extension cord is not recommended due risk of fire. If used the extension cord shall be No. 14 AWG minimum size and rated no less than 1875 watts, and the

extension cord shall be a three-wire cord with grounding type plug and cord connector. The extension cord shall not be more than 20 ft (6 m) in length.

17. Do not use this appliance with a programmable timer or any other device that switches the appliance on and off automatically. In order to avoid a hazard due to inadvertent resetting of the thermal cut out, this appliance must not be supplied through an external switching device, such as a timer, or connected to a circuit that is regularly switched on and off by an utility.
18. This product contains a button battery. If swallowed, it could cause severe injury or death in just 2 hours. Seek medical attention immediately.

CAUTION: Operate only on supplied stand or mount to wall. Do Not install heater less than 60 cm/ 23.6 in from the floor.

WARNING: This heater is hot when in use. To avoid burns, do not let bare skin touch hot surfaces. If provided, use handles when moving this appliance. Keep combustible materials, such as furniture, pillows, bedding, papers, clothes, and curtains at least 3 feet (0.9 m) from front, sides and rear of the heater.

CAUTION: When using electrical appliances, basic precautions should always be followed to reduce the risk of fire, electrical shock, and injury to persons.

CAUTION: To prevent a possible fire, do not block heater air intakes or the exhaust in any manner. Do not operate the heater on soft surfaces, like a bed, where openings may become blocked.

CAUTION: Do not insert or allow foreign objects to enter any ventilation or exhaust openings, as this may cause an electric shock or fire, or damage to the heater.

CAUTION: Extreme caution is necessary when any heater is used by or near children or invalids, and whenever the heater is left operating and unattended.

IMPORTANT: SAVE THESE INSTRUCTIONS.

WARNING: This Product can expose you to chemicals including Diisononyl phthalate (DINP) which is known to the State of California to cause cancer and Di-isodecyl phthalates (DIDP) which is known to the State of California to cause birth defects or other reproductive harm.

Warning

This content is compiled from multiple sources and is provided for reference purposes only. It may not be complete or fully applicable to all situations. If you are unable to resolve your issue, please contact the product manufacturer or an authorized service provider for official support.