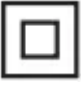

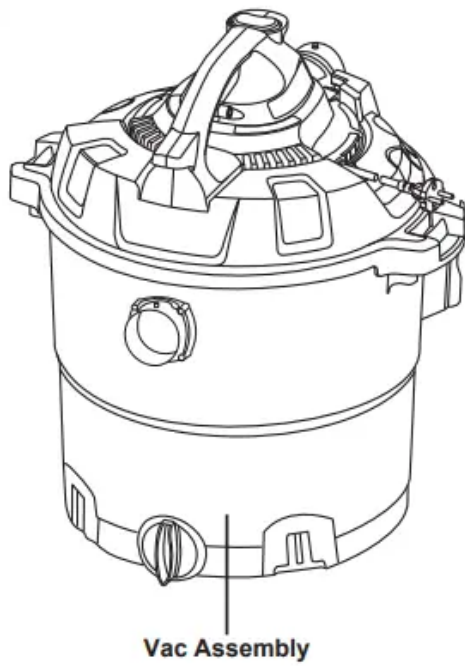


DOUBLE INSULATION INSTRUCTIONS

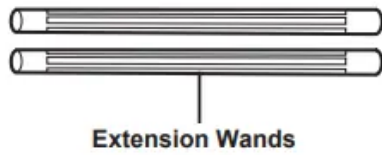
- This Wet/Dry Vac is double-insulated, eliminating the need for a separate grounding system. Use only identical replacement parts. Read the instructions for Servicing DoubleInsulated Wet/Dry Vacs before servicing. Use this Wet/Dry Vac as described in this manual. Observe the following warnings that appear on the motor housing of your Wet/Dry Vac.
 -  DOUBLE INSULATED - GROUNDING NOT REQUIRED - WHEN SERVICING USE ONLY IDENTICAL REPLACEMENT PARTS.
 - WARNING: TO REDUCE THE RISK OF ELECTRIC SHOCK-DO NOT EXPOSE TO RAIN. STORE INDOORS.
 - WARNING: SERVICING OF DOUBLE-INSULATED WET/DRY VACUUM WITH A DOUBLE-INSULATED WET/DRY VACUUM, TWO SYSTEMS OF INSULATION ARE PROVIDED INSTEAD OF GROUNDING. NO GROUNDING MEANS IS PROVIDED ON
 - A DOUBLE-INSULATED APPLIANCE, NOR SHOULD A MEANS FOR GROUNDING BE ADDED. SERVICING A DOUBLE INSULATED WET/DRY VACUUM REQUIRES EXTREME CARE AND KNOWLEDGE OF THE SYSTEM, AND SHOULD BE DONE ONLY BY QUALIFIED SERVICE PERSONNEL. REPLACEMENT PARTS FOR A DOUBLEINSULATED WET/DRY VACUUM MUST BE IDENTICAL TO THE PARTS THEY REPLACE. YOUR DOUBLE-INSULATED WET/DRY VAC IS MARKED WITH THE
- WORDS 'DOUBLE INSULATED' AND THE SYMBOL  (SQUARE WITHIN A SQUARE) MAY ALSO BE MARKED ON THE APPLIANCE.
- To reduce the risk of electric shock-unplug before cleaning or servicing.
 - DO NOT use without filters in place
- CAUTION: TO REDUCE THE RISK OF INJURY FROM MOVING PARTSUNPLUG BEFORE SERVICING.

UNPACKING & CHECKING CARTON CONTENTS

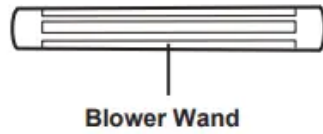
Remove all contents from the box. Remove the power head and take out any contents inside the collection tank. Check each item against the carton contents list.



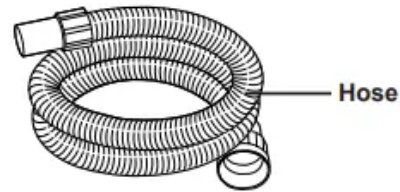
Vac Assembly



Extension Wands



Blower Wand



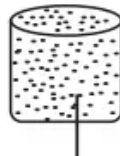
Hose



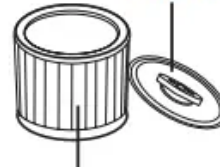
Caster Foot
w/ Accessory
Storage



Caster



Foam Wet Filter



Cartridge Filter

Filter Retainer



Blower Concentrator
Nozzle



Crevice Tool



Floor Brush/Squeegee
Nozzle



Blower Adapter
Nozzle



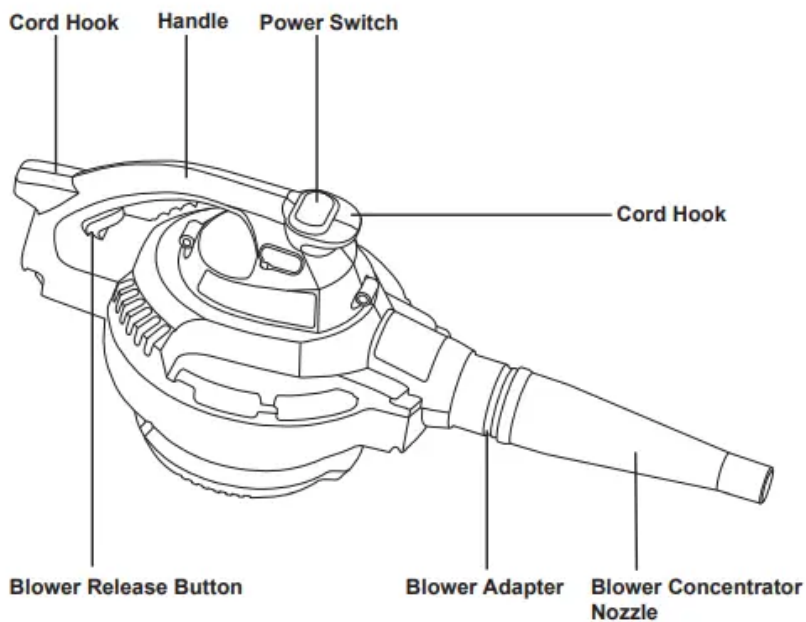
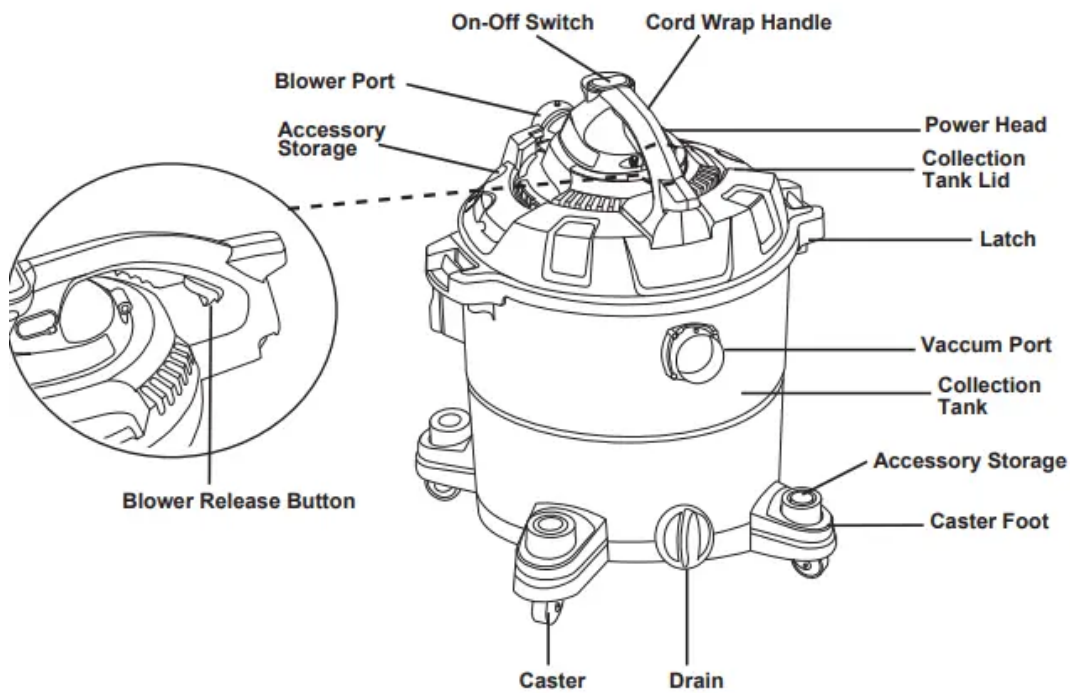
4 Screws (Bag)



Operator's Manual

NOTE: The hose and accessories for this vacuum are 1.25 inch (3.2 cm) diameter. Blower wand and nozzle are 2.5 inch (6.4 cm) diameter.



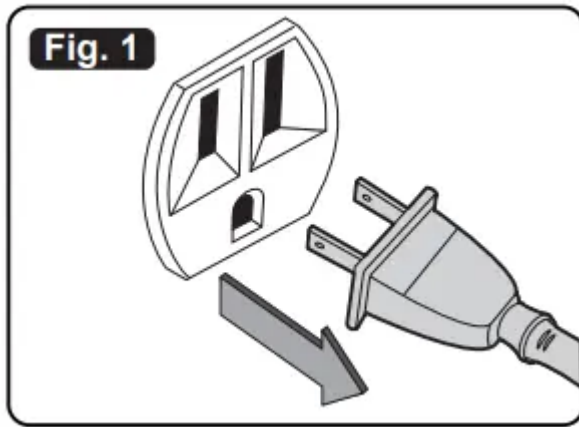


GENERAL ASSEMBLY INSTRUCTIONS

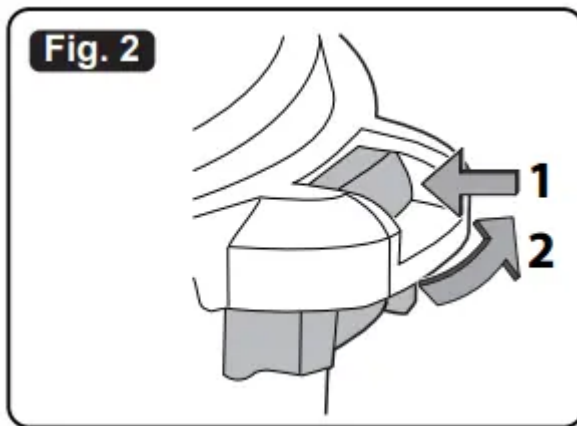
WARNING: DO NOT PLUG POWER CORD INTO POWER OUTLET. MAKE SURE PLUG IS DISCONNECTED BEFORE ASSEMBLING THE WET/DRY VACUUM.

UNPACKING YOUR WET/DRY VACUUM & GENERAL ASSEMBLY

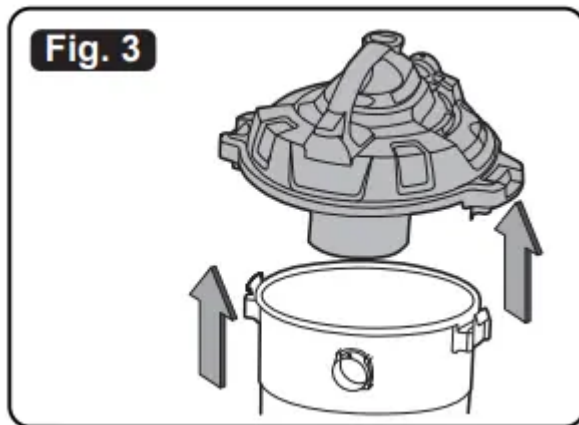
1. Verify that the power cord is disconnected from the outlet. (fig. 1)



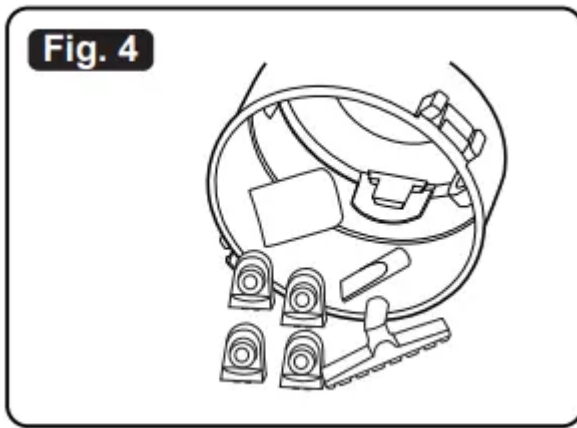
2. Undo the latches. (fig. 2)



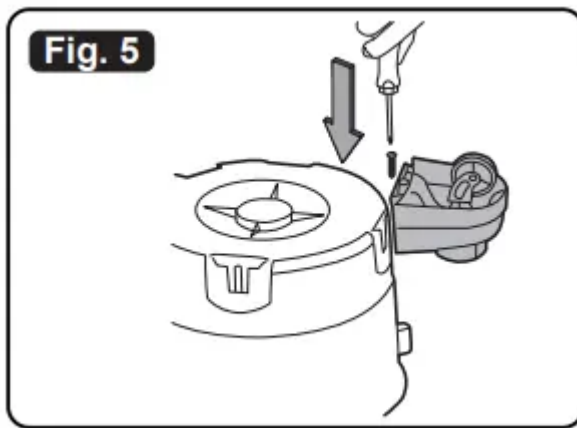
3. Lift the power head off the collection tank. (fig. 3)



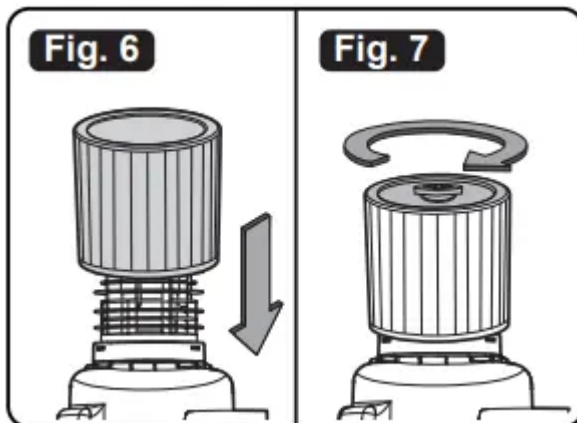
4. Remove the contents from inside the collection tank. Make sure you have all contents as listed on page 5. (fig. 4)



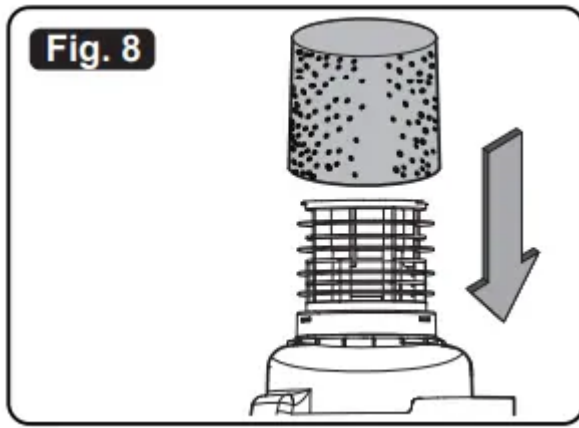
5. Turn the collection tank upside down and insert the four caster feet into the slots on the collection tank and tighten with supplied screws. Verify that the casters are mounted correctly. Do not over-tighten screws. (fig. 5)



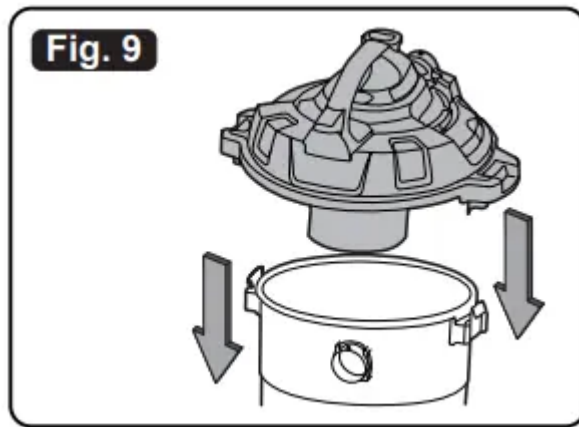
6. Your vacuum comes ready for dry vacuum cleaning. For filter installation instructions, see page 16. (fig. 6 & 7)



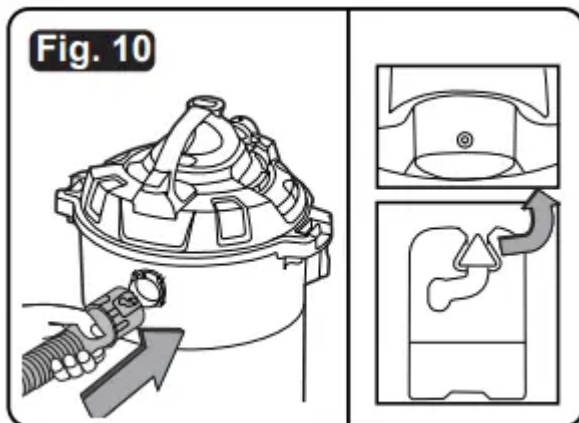
7. For wet vacuum cleaning, install the supplied foam wet filter. (fig. 8) See page 17 for filter installation.



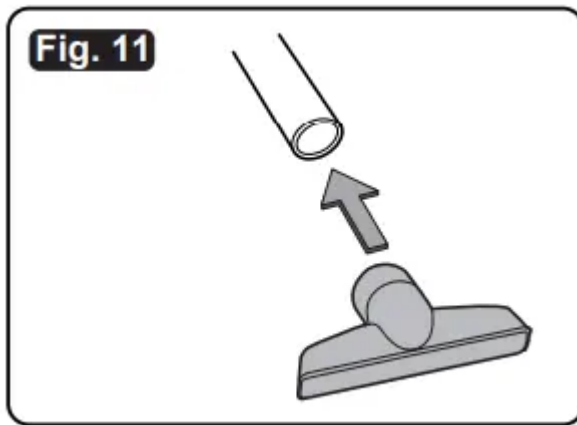
8. Place the power head back on the collection tank, aligning the top section with the latches, and snap into place. Keep in mind the power head should be positioned so that the blower port is in the rear. (fig. 9)




9. Insert the locking end of the hose into the port of the collection tank and lock into place. (fig. 10)



10. Choose the desired wands or accessories and push onto the hose. (fig. 11)



POLARIZED PLUG: To reduce the risk of electrical shock, this appliance has a polarized plug (one blade wider than the other). This plug will fit in a polarized outlet only one way. If the plug does not fit fully in the outlet, reverse the plug. If it still does not fit, contact a qualified electrician to install

the proper outlet. Do not change the plug in any way. Double insulation  eliminates the need for the three wire grounded power cord and grounded power supply system.

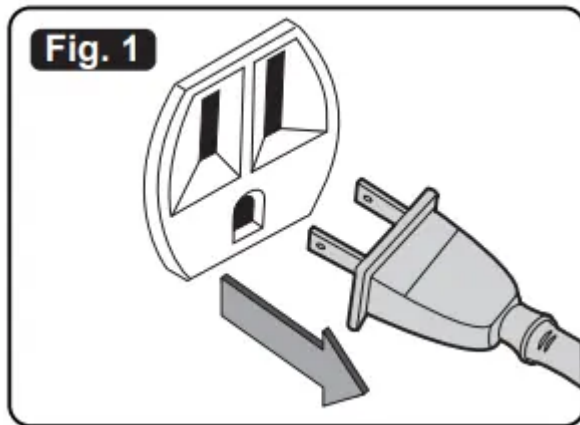
DRY VACUUM OPERATION

DRY VACUUMING

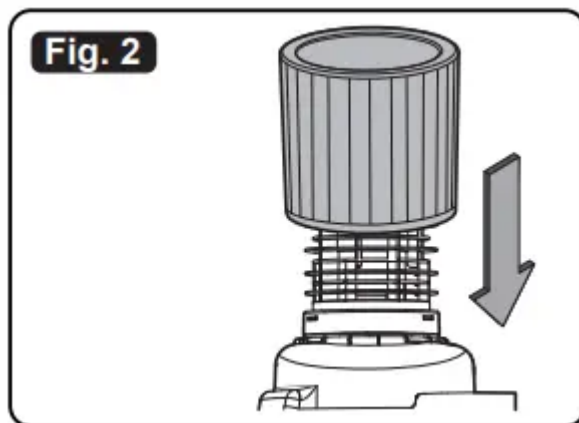
WARNING: BE SURE TO READ, UNDERSTAND, AND APPLY INFORMATION, ENTITLED 'SAFETY INSTRUCTIONS & WARNINGS'. DO NOT VACUUM IN AREAS WITH FLAMMABLE GASES, VAPORS, OR EXPLOSIVE DUSTS IN THE AIR. FLAMMABLE GASES OR VAPORS INCLUDE BUT ARE NOT LIMITED TO: LIGHTER FLUID, SOLVENT TYPE CLEANERS, OIL-BASED PAINTS, GASOLINE, ALCOHOL OR AEROSOL SPRAYS. EXPLOSIVE DUSTS INCLUDE BUT ARE NOT LIMITED TO: COAL, MAGNESIUM, GRAIN OR GUN POWDER. TO REDUCE THE RISK OF HEALTH HAZARDS FROM VAPORS OR DUST, DO NOT VACUUM TOXIC MATERIALS.

WARNING: DO NOT PLUG POWER CORD INTO POWER OUTLET. MAKE SURE PLUG IS DISCONNECTED BEFORE CHANGING OR CLEANING FILTERS.

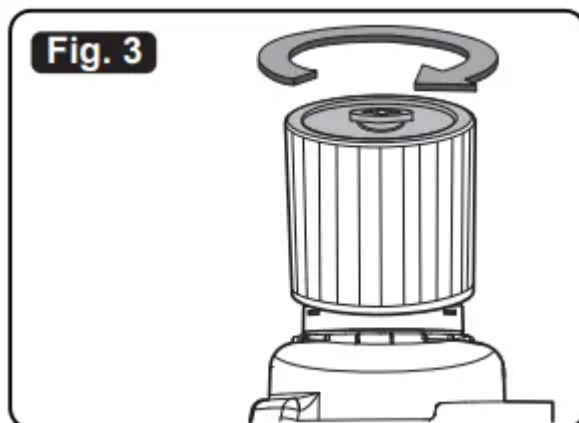
1. Verify that the power cord is disconnected from the outlet. (fig. 1)



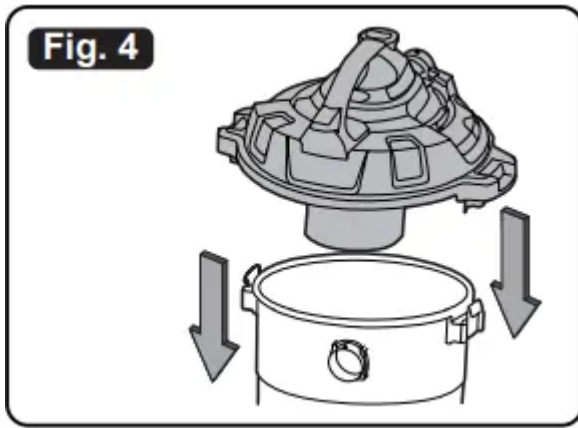
2. In order to prepare your vacuum for dry vacuuming, verify that the cartridge filter is securely installed. Make sure the filter is pushed in until it stops against the power head. (fig. 2) (Your Wet/Dry Vac comes with the cartridge filter pre-installed, if not see page 16 for installation instructions.)



3. Place filter retainer on top of cartridge filter and tighten down by turning the retainer handle clockwise. (fig. 3)

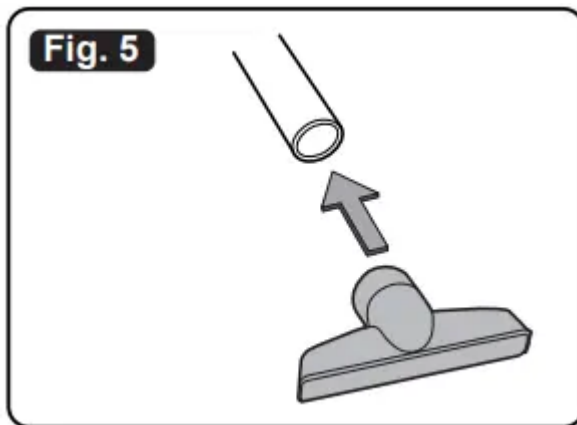


4. Place the power head back on the collection tank, aligning the top section with the latches, and snap into place. (fig. 4)

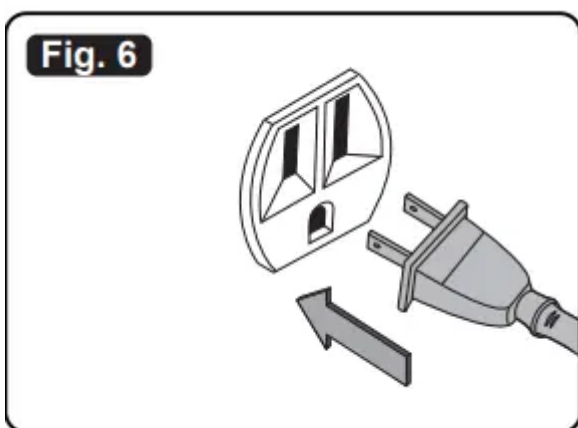


OPERATING INSTRUCTIONS: DRY VACUUMING

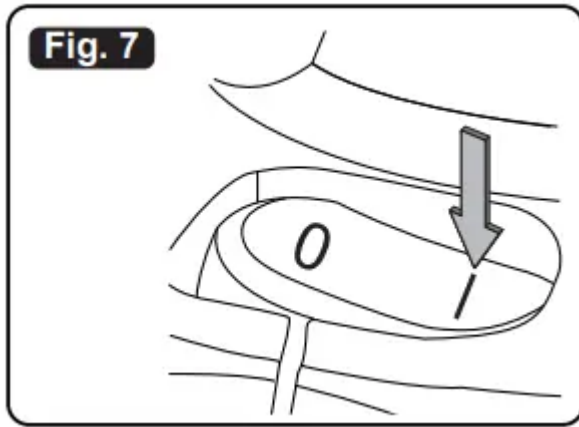
5. Insert the locking end of the hose into the vacuum port on the front of the tank and lock in place. Push the required attachment onto the free end of the hose or extension. (fig. 5)



6. Plug the power cord into the outlet. (fig. 6)



7. Turn the motor on by flipping the switch to the 'I' ON position. (fig. 7)



8. Once you have completed vacuuming, flip the switch to the 'O' OFF position and unplug the power cord from the outlet. O = OFF I = ON

DO NOT USE THE CARTRIDGE FILTER FOR LIQUID VACUUMING.

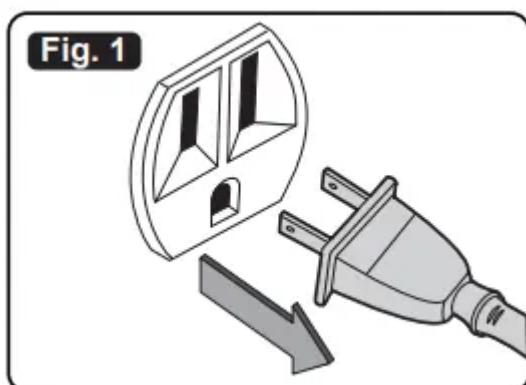
LIQUID VACUUM OPERATION

LIQUID VACUUMING

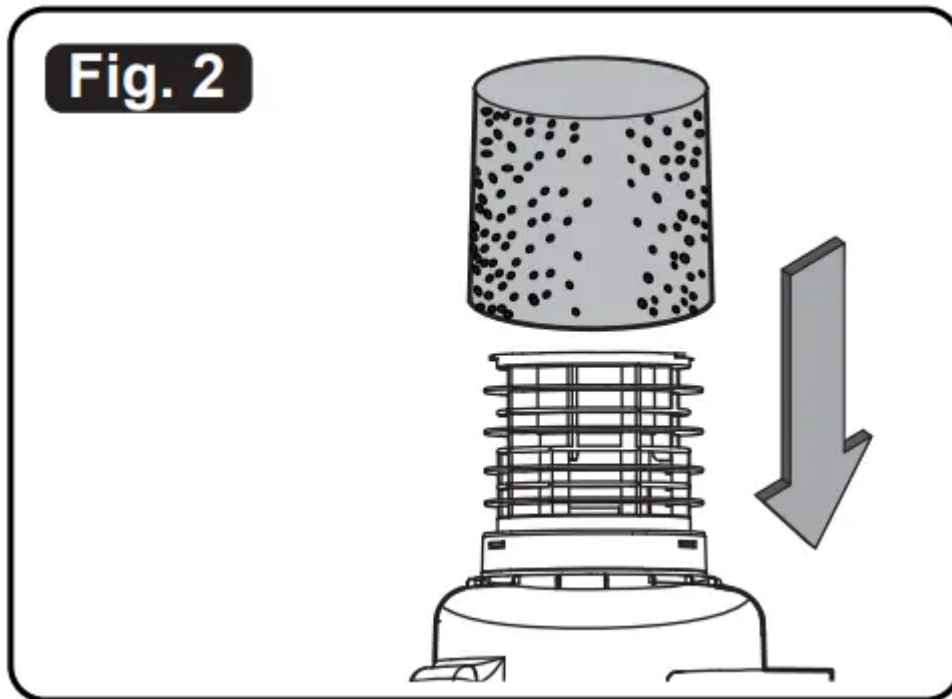
WARNING: BE SURE TO READ, UNDERSTAND, AND APPLY INFORMATION, ENTITLED 'SAFETY INSTRUCTIONS & WARNINGS'. DO NOT VACUUM IN AREAS WITH FLAMMABLE GASES, VAPORS, OR EXPLOSIVE DUSTS IN THE AIR. FLAMMABLE GASES OR VAPORS INCLUDE BUT ARE NOT LIMITED TO: LIGHTER FLUID, SOLVENT TYPE CLEANERS, OILBASED PAINTS, GASOLINE, ALCOHOL, OR AEROSOL SPRAYS. EXPLOSIVE DUSTS INCLUDE BUT ARE NOT LIMITED TO: COAL, MAGNESIUM, GRAIN, OR GUN POWDER. TO REDUCE THE RISK OF HEALTH HAZARDS FROM VAPORS OR DUST, DO NOT VACUUM TOXIC MATERIALS.

WARNING: DO NOT PLUG POWER CORD INTO POWER OUTLET. MAKE SURE PLUG IS DISCONNECTED BEFORE ASSEMBLING THE WET/DRY VACUUM.

1. Verify that the power cord is disconnected from the outlet (fig. 1). Verify that the collection tank is clean and free of dust and dirt.



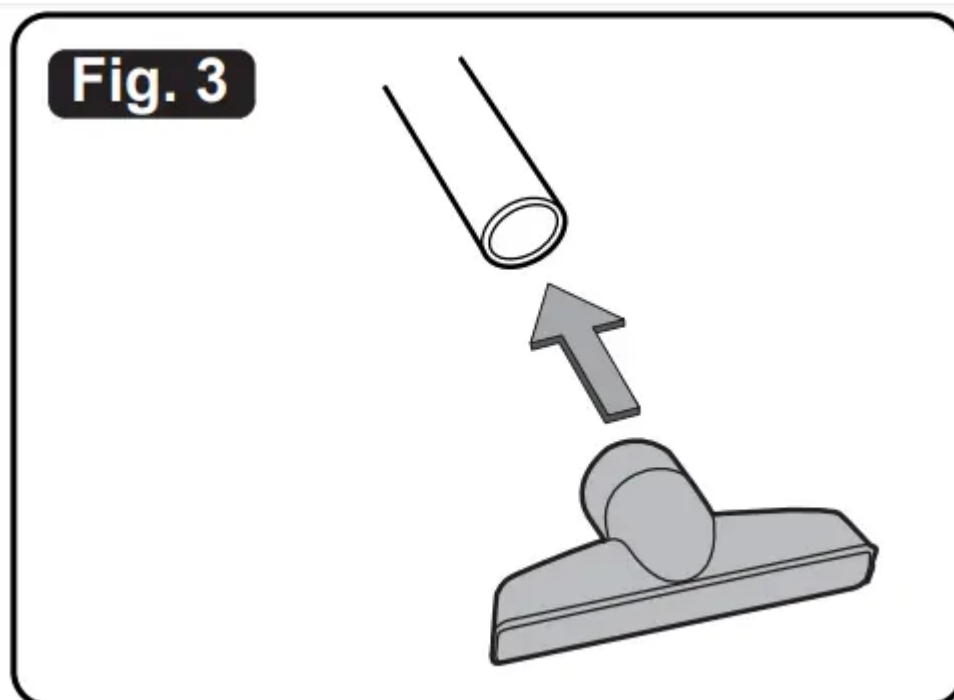
2. Remove the cartridge filter, then carefully install the foam wet filter over the filter cage and place the power head back on the collection tank. (fig. 2) For filter installation instructions, refer to page 17.



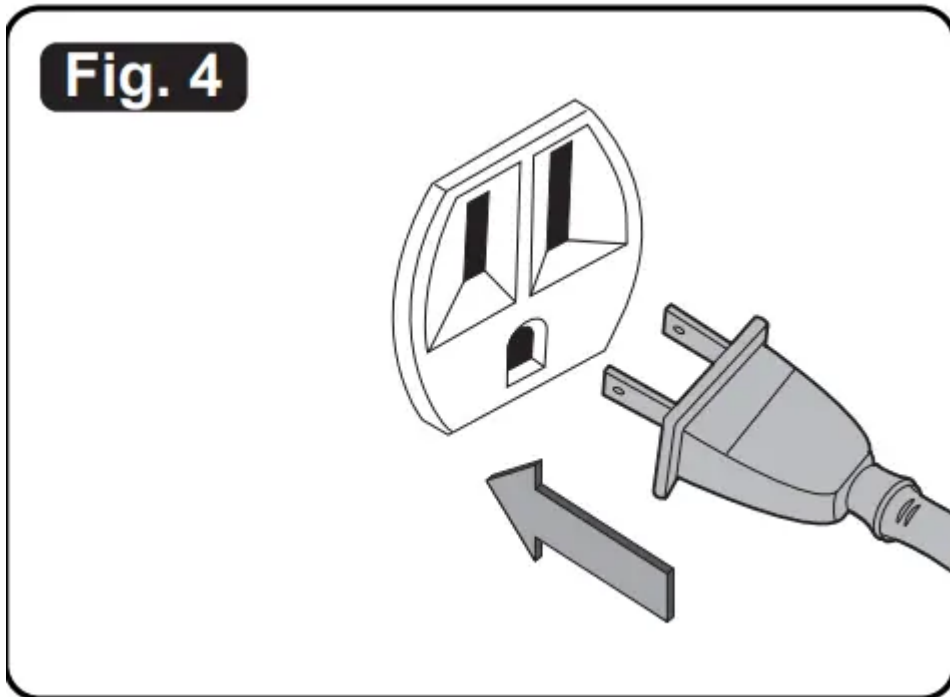
DO NOT USE THE CARTRIDGE FILTER FOR LIQUID VACUUMING.

OPERATING INSTRUCTIONS: WET VACUUMING

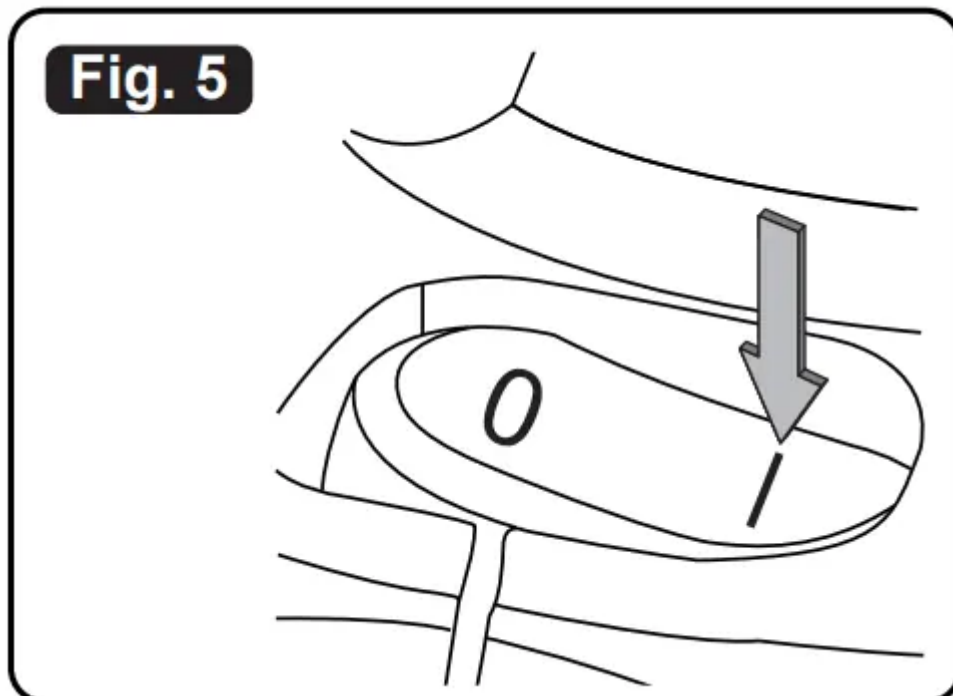
3. Fit the desired nozzle to the vacuum hose. (fig. 3)



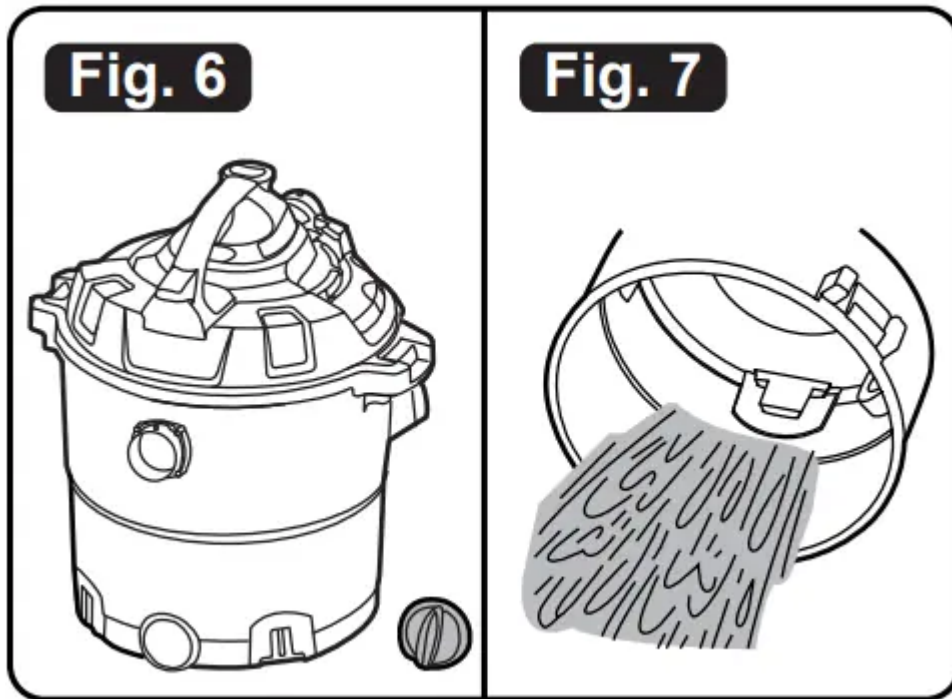
4. Verify that the switch is in the 'O' OFF position before plugging the power cord into the outlet. (fig. 4)



5. Turn the motor on by flipping the switch to the '1' ON position. (fig. 5)



6. After use, empty the collection tank by unscrewing the drain cap. Drain liquids into a suitable receptacle or drain. Remember to refit the drain cap to the collection tank after draining collection tank. (fig. 6 & 7)



IMPORTANT! When vacuuming large quantities of liquids, do not immerse the nozzle completely in the liquid; leave a gap at the tip of the nozzle opening to allow air inflow. The machine is fitted with a float valve that stops the suction action when the collection tank reaches its maximum capacity. You will notice an increase in motor speed. When this happens, turn off the machine, disconnect from power supply, and empty the liquid into a suitable receptacle or drain. To continue vacuuming, refit the power head to the collection tank. After wet vacuuming, turn the machine off and remove plug from power supply. To prevent the risk of possible mildew, empty the collection tank, clean and dry the inside and outside of the collection tank, and remove the foam wet filter and allow to air dry before storage.

REMEMBER! The foam wet filter must be removed after wet vacuuming, and a cartridge filter must be installed before dry vacuuming again.

BLOWER OPERATION

This Wet/Dry Vac converts to a detachable blower that can be used for leaf blowing in yards, decks and patios. To use the detachable blower feature follow the instructions listed.

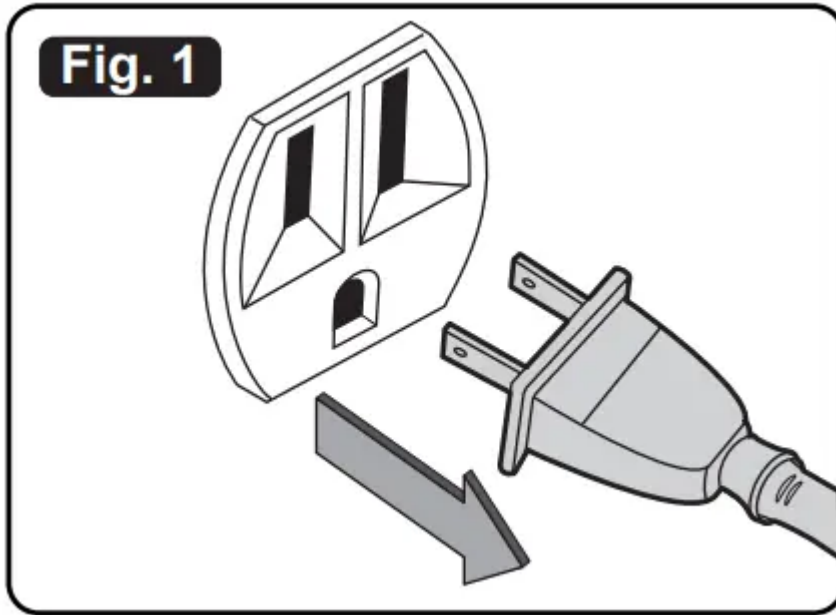
WARNING: ALWAYS WEAR SAFETY GOGGLES COMPLYING WITH ANSI Z87.1 (or in Canada, CSAZ94.3) BEFORE USING BLOWER.

CAUTION: T O R E D U C E T H E RISK OF HEARING DAMAGE, WEAR EAR PROTECTION WHEN USING THE VAC/ BLOWER FOR EXTENDED HOURS OR WHEN USING IT IN NOISY AREAS.

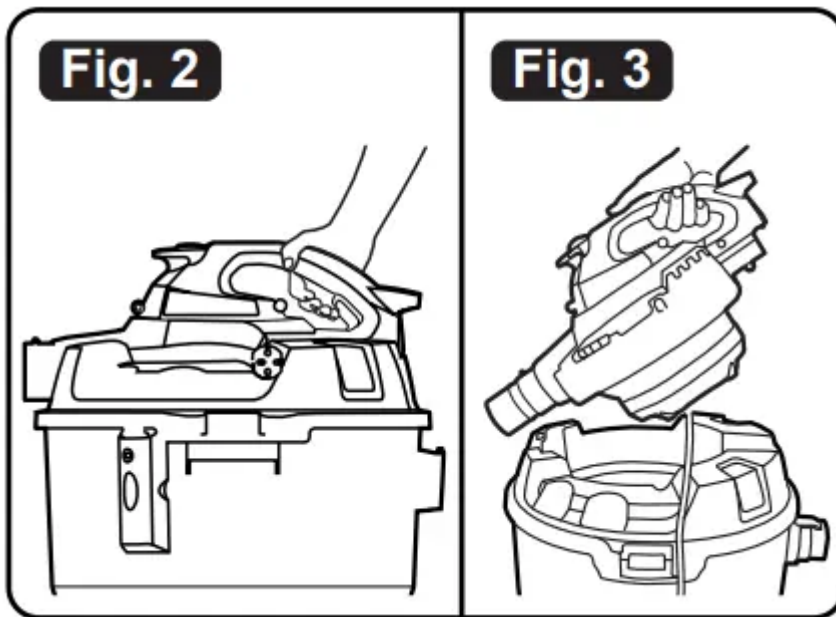
WARNING: KEEP BYSTANDERS CLEAR FROM BLOWING DEBRIS.

WARNING: WEAR A DUST MASK IF BLOWING CREATES DUST THAT MIGHT BE INHALED

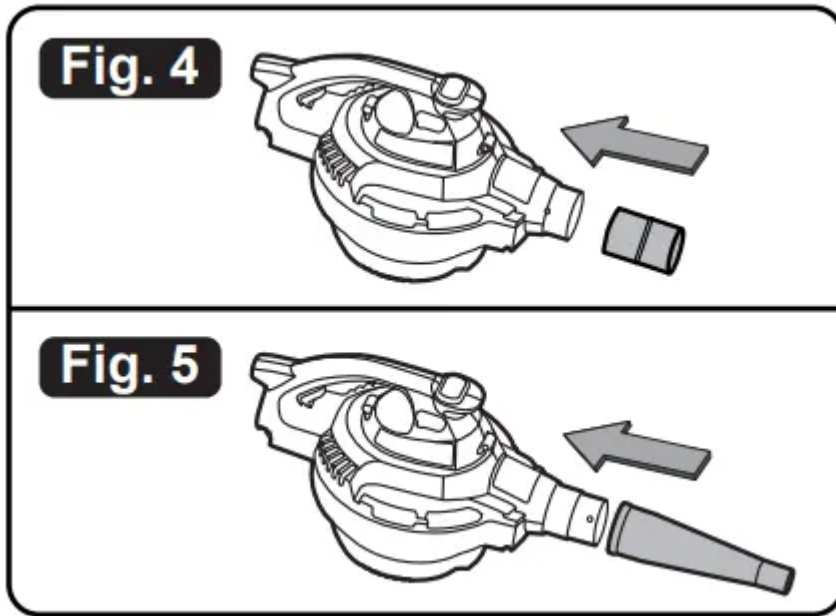
1. Verify that the power cord is disconnected from the outlet. (fig. 1)



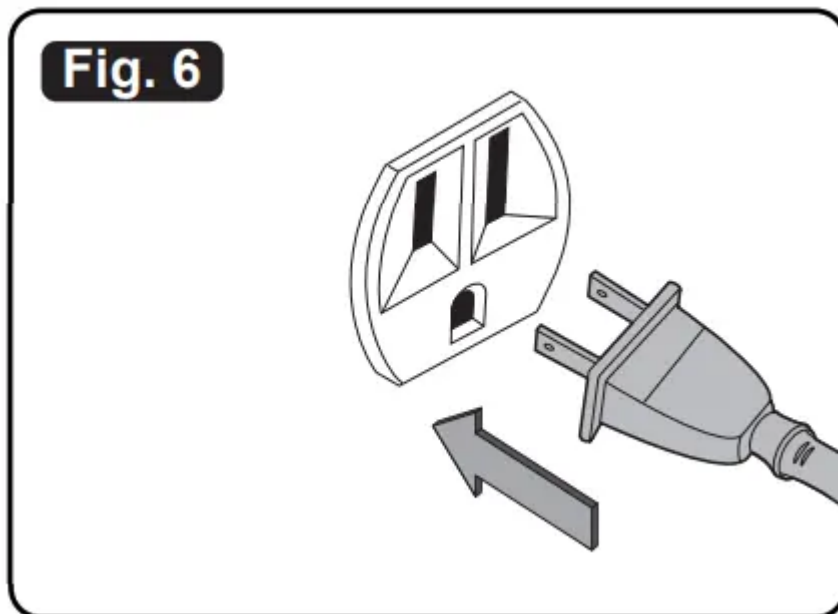
2. Squeeze the locking lever and lift the detachable blower from the vacuum lid. (fig. 2 & 3)



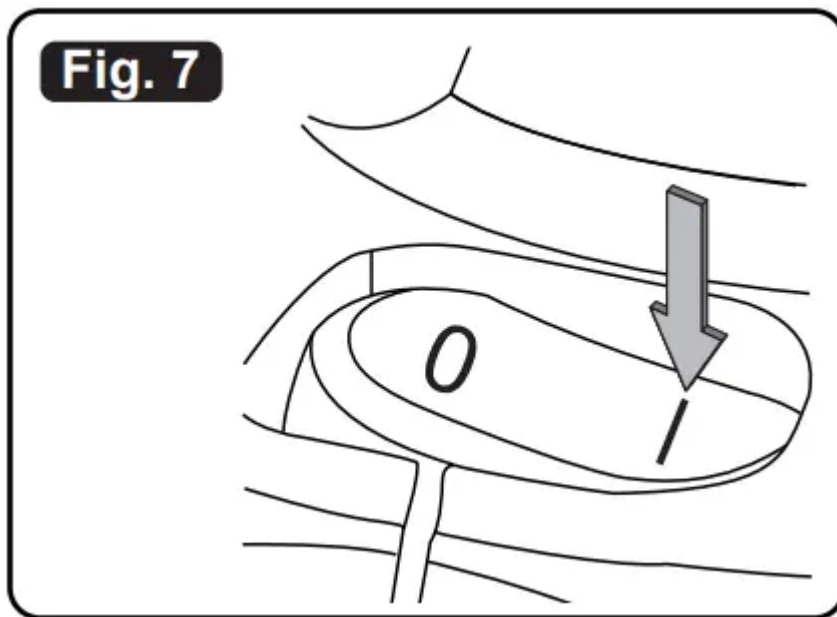
3. Insert the adapter into the blower port and fit it the desired extension wands and or nozzles. (fig. 4 & 5)



4. Ensure the power switch is turned off and plug into the power supply. (fig. 6)



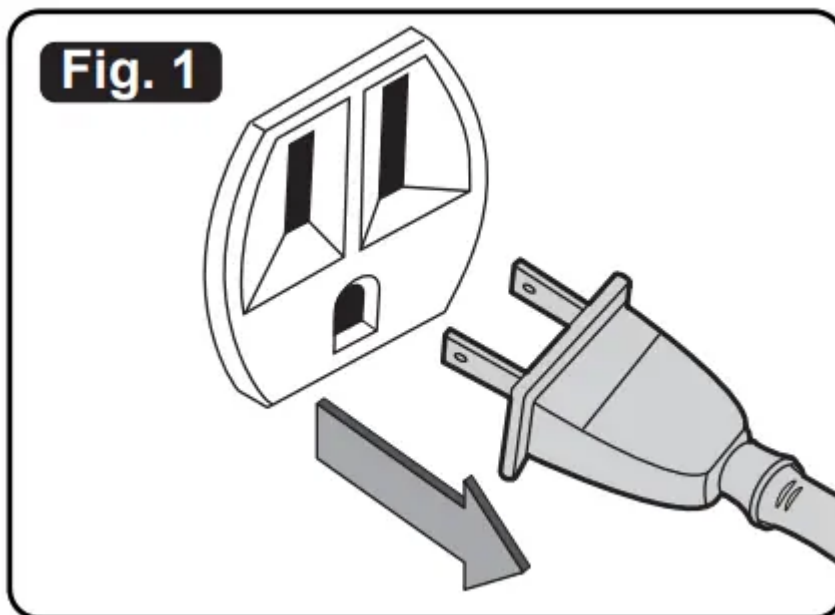
5. Firmly hold the blower before turning it on. Turn the motor on by flipping the switch to the 'I' ON position. (fig. 7).



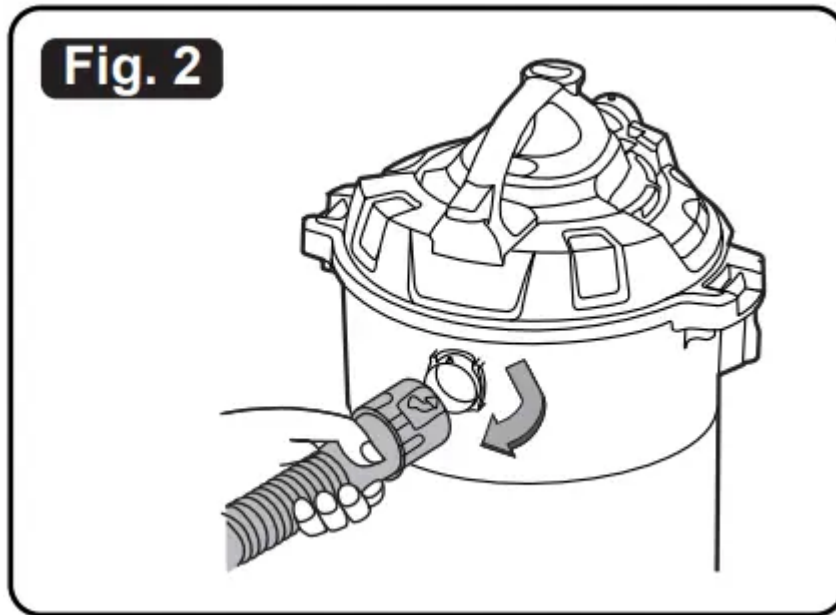
MAINTENANCE

WARNING: ALWAYS DISCONNECT THE PLUG FROM THE POWER OUTLET BEFORE REMOVING THE POWER HEAD FROM THE COLLECTION TANK

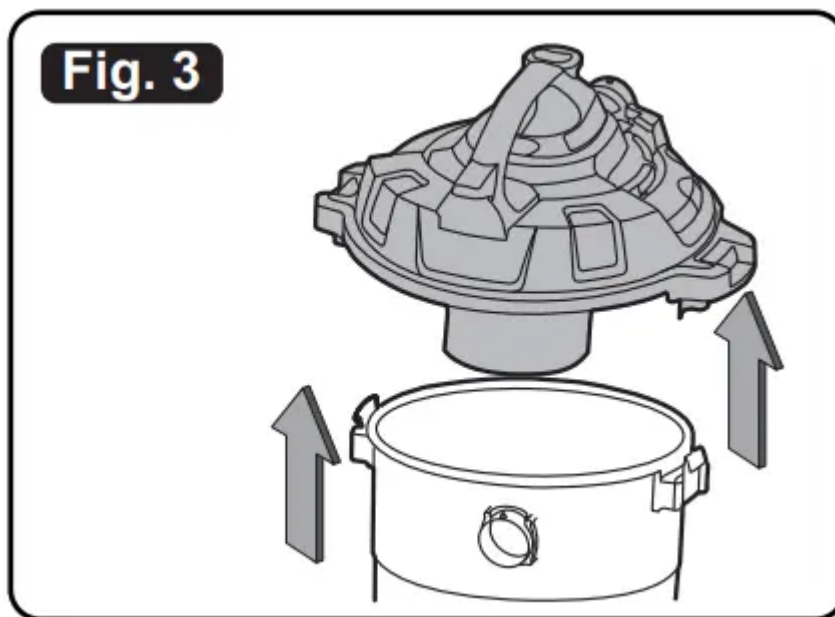
1. Verify that the power cord is disconnected from the outlet. (fig. 1)



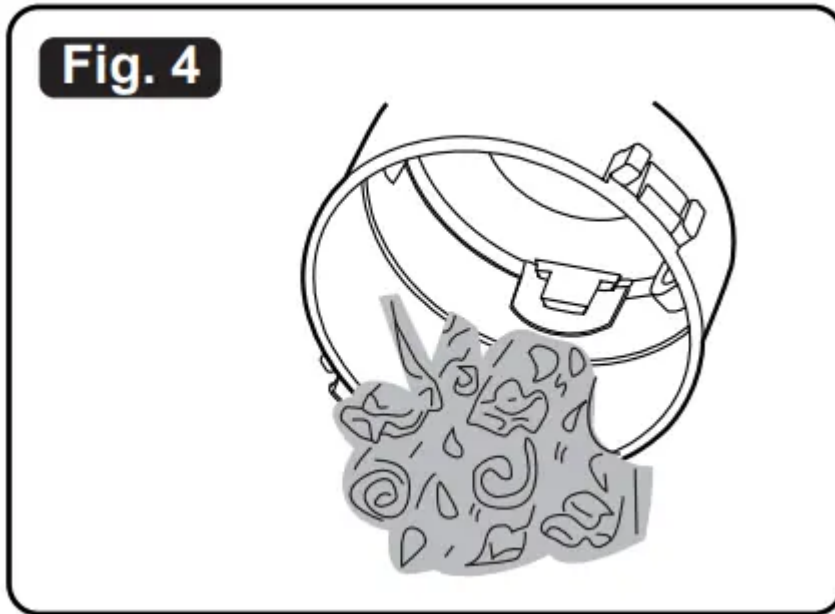
2. Disconnect the hose from the unit. (fig. 2)



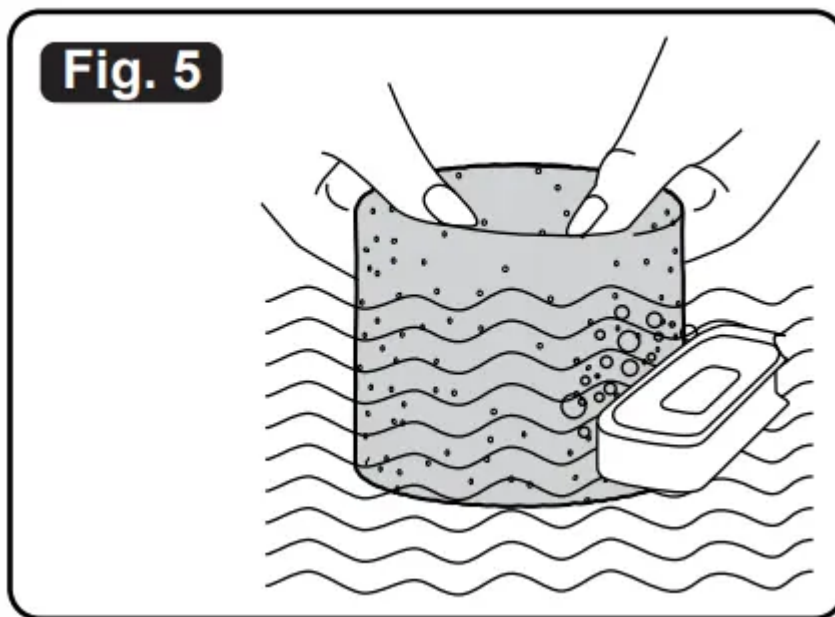
3. Undo the latches and remove the power head from the collection tank. (fig. 3)



4. Clear all dirt or debris from the collection tank and hose. (fig. 4)



5. Clean the foam wet filter by washing it with water and mild soap. (fig. 5)



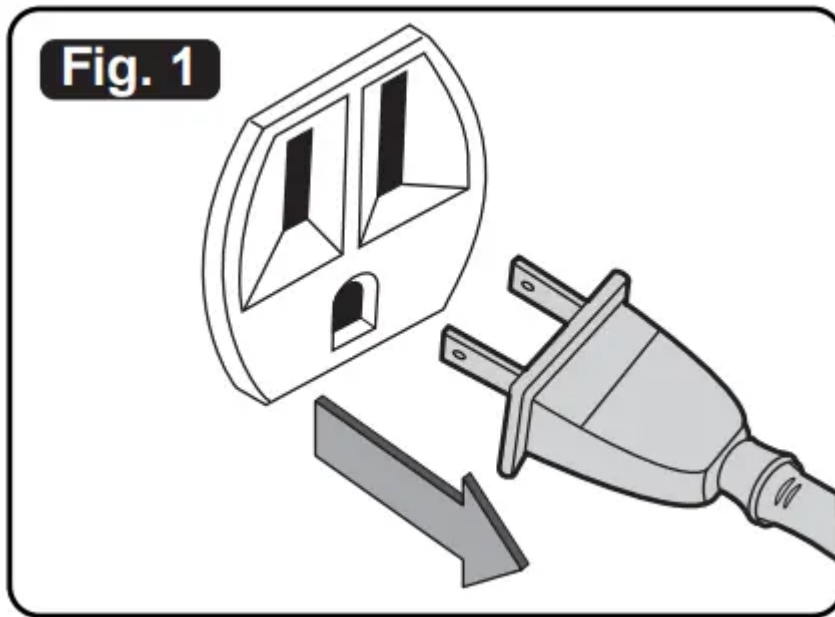
6. Check the hose, attachments, and power cord to verify that they have not been damaged.

BLOWER INTAKE

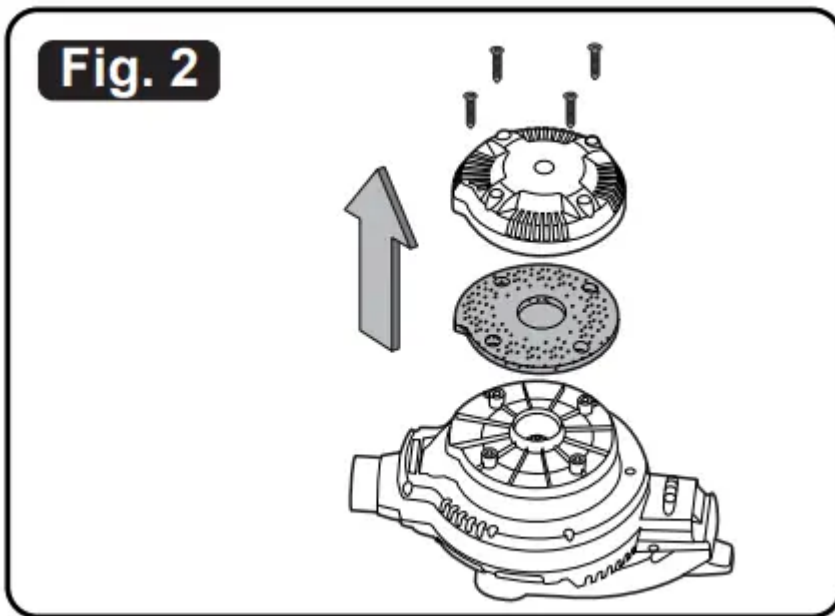
WARNING: ALWAYS DISCONNECT THE PLUG FROM THE POWER OUTLET BEFORE REMOVING THE POWER HEAD FROM THE COLLECTION TANK.

After using the blower, examine the bottom of the blower for debris and blockages and remove if found. To clean the foam pad of the intake:

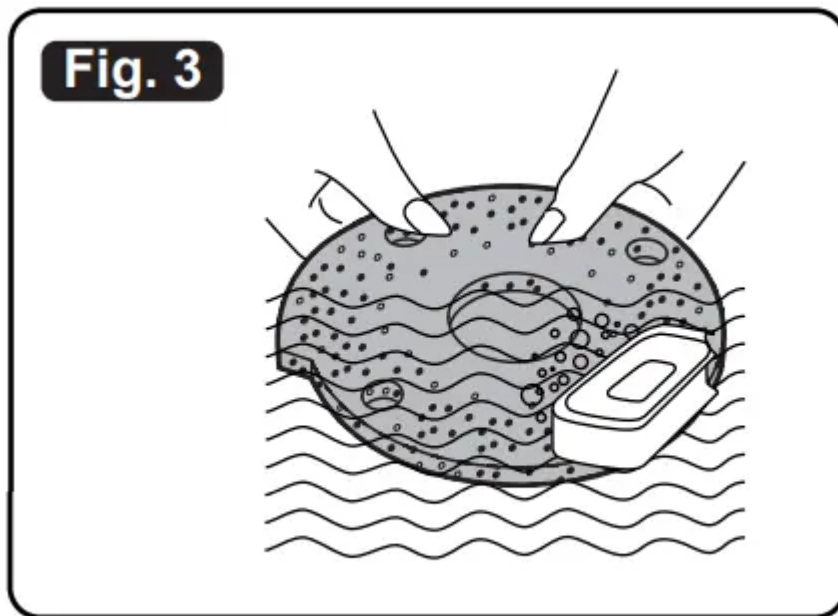
1. Verify that the power cord is disconnected from the outlet. (fig. 1)



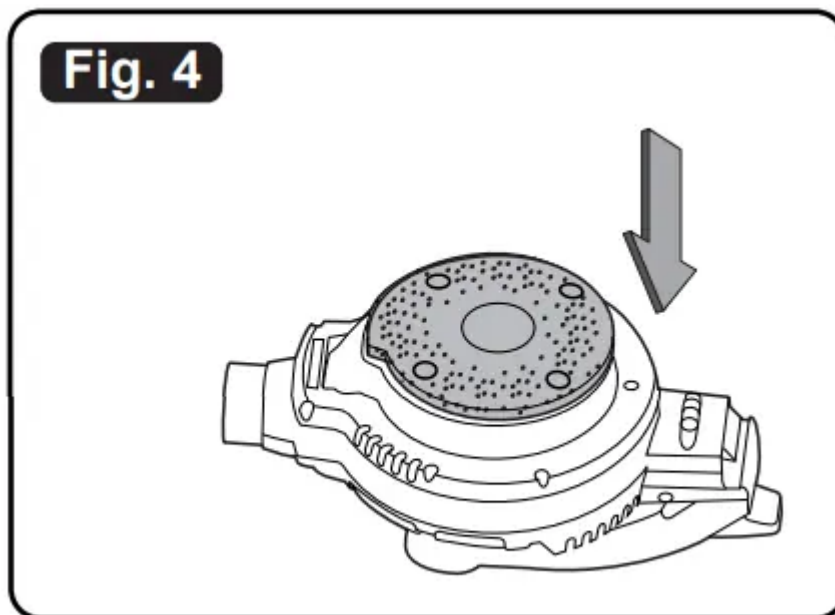
2. Remove the four screws holding the intake shield and lift off the shield. (fig. 2)



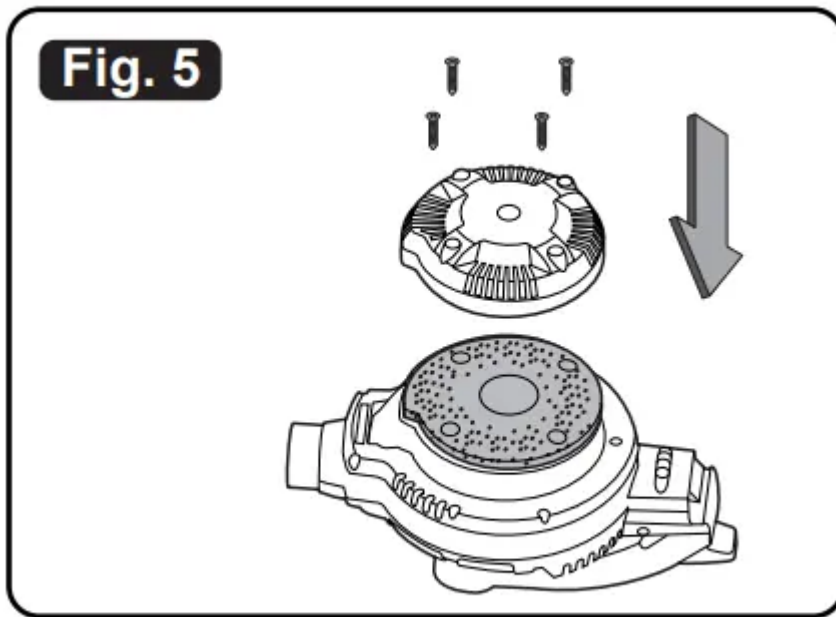
3. Remove the foam pad from the blower and clean the foam pad with soapy water and allow to dry. (fig. 3)



4. Check the foam pad for reuse. If you need to replace the foam pad consult the parts list of the manual.



5. Replace the foam pad onto the blower aligning the holes to the screw tabs. (fig. 4)

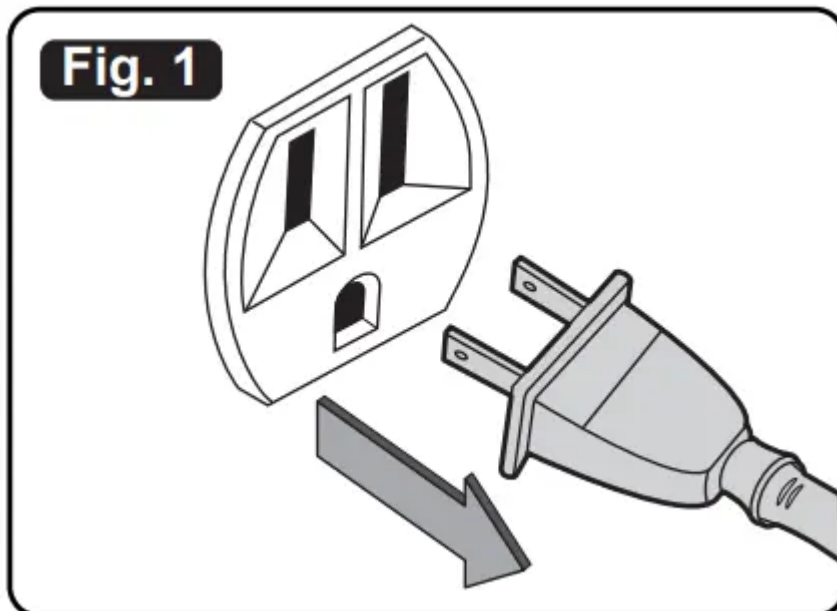


6. Reinstall the intake shield and the four screws. (fig. 5)

INSTALLING & CLEANING CARTRIDGE FILTER

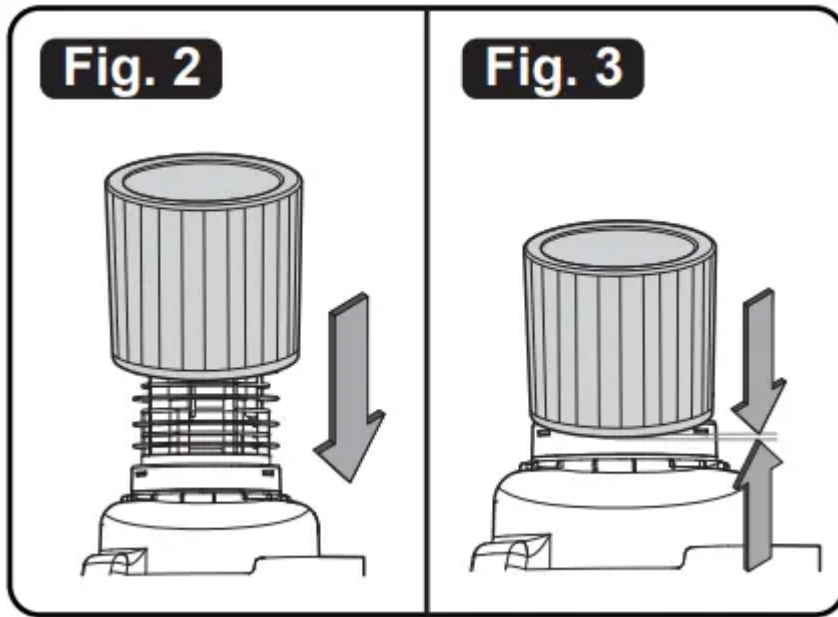
Installing Cartridge Filter

1. Verify that the power cord is disconnected from the outlet. (fig. 1)

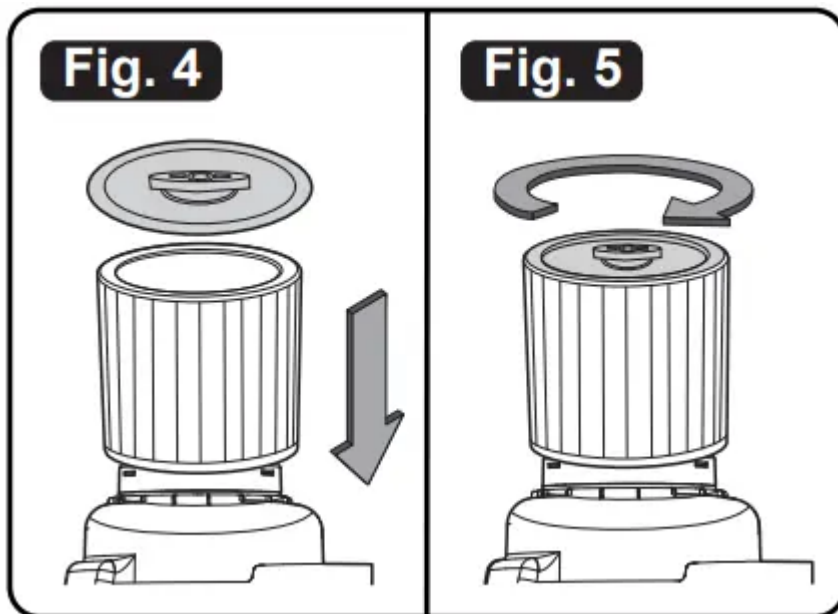


2. Remove lid and power head and place in upside down position.

3. Install the cartridge filter over the filter cage with the flat end of the filter towards the power head. Carefully push filter in until it stops against the power head. (fig. 2 & 3)

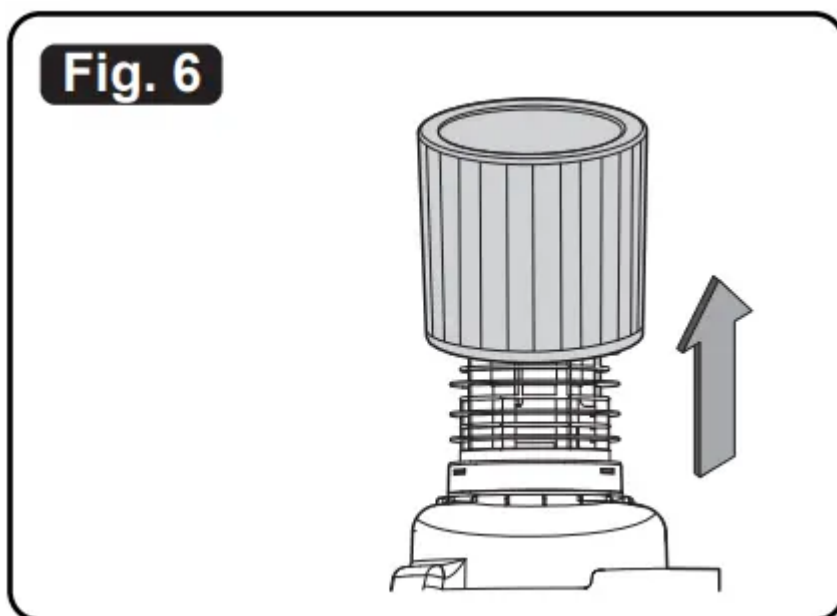


4. Place filter retainer on top of cartridge filter over the raised lip and tighten down by turning retainer clockwise, do not overtighten. (fig. 3 & 4)



Removing and Cleaning Cartridge Filter

1. Unlock and remove the filter retainer by turning retainer handle counter clockwise.
2. Carefully hold and pull the cartridge filter up for removal. (fig. 6)



3. Clean the cartridge filter by gently tapping or brushing dirt off. Cleaning should not be done indoors in living areas. For optimal performance a new filter is recommended.

4. Install cleaned or new filter as instructed above in steps 2 and 3 of Installing cartridge filter.

5. Wet filters should be removed and allowed to air dry for 24 hours before installing onto the filter cage.

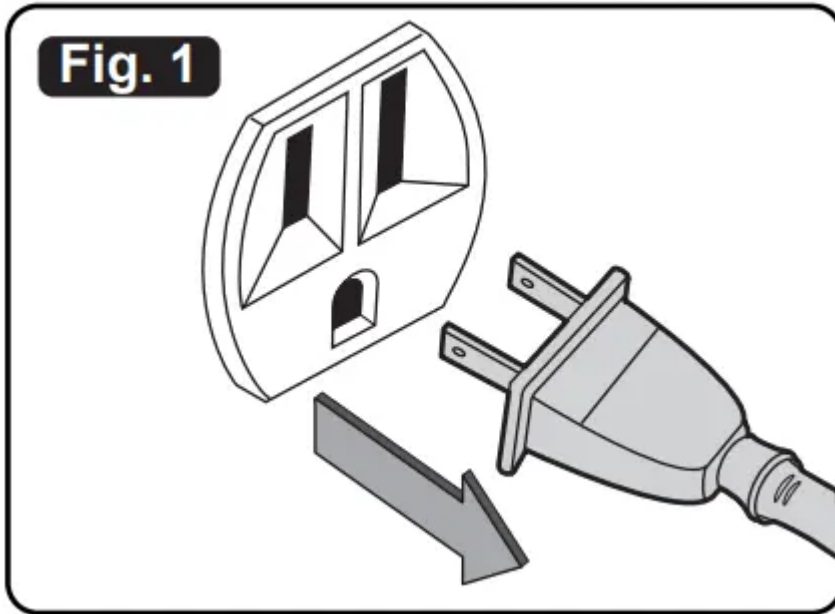
IMPORTANT! Clean or change the cartridge filter regularly for best performance. **ALWAYS USE CARTRIDGE FILTER FOR DRY VACUUMING.** If the machine is used without the cartridge filter, the motor will burn out and the warranty will be voided. Always keep spare filters on hand.

NOTICE! The filters included are made of high quality materials designed to stop small dust particles. The cartridge filter should be used for dry pick-up only. A dry cartridge filter is necessary to pick up dust. If the cartridge filter is wet, it will clog quickly and be very difficult to clean. Handle the filter carefully when removing it for cleaning and replacing it. Check the filters for tears or small holes, a small hole can let dust pass through and out of the filter. Do not use a filter with holes or tears, replace it immediately

INSTALLING & CLEANING FOAM WET FILTER

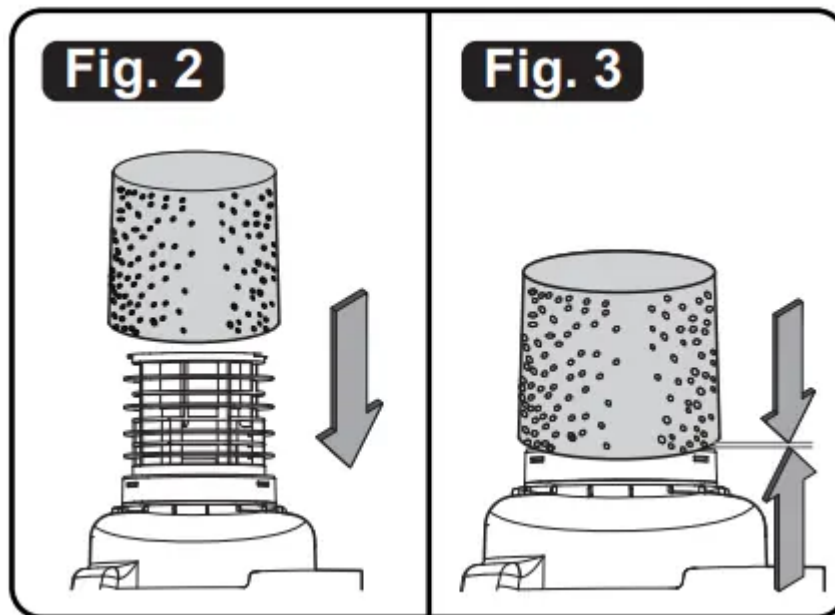
Installing Foam Wet Filter

1. Verify that the power cord is disconnected from the outlet. (fig. 1)



2. Remove power head and place in upside down position. Follow instructions to remove cartridge filter.

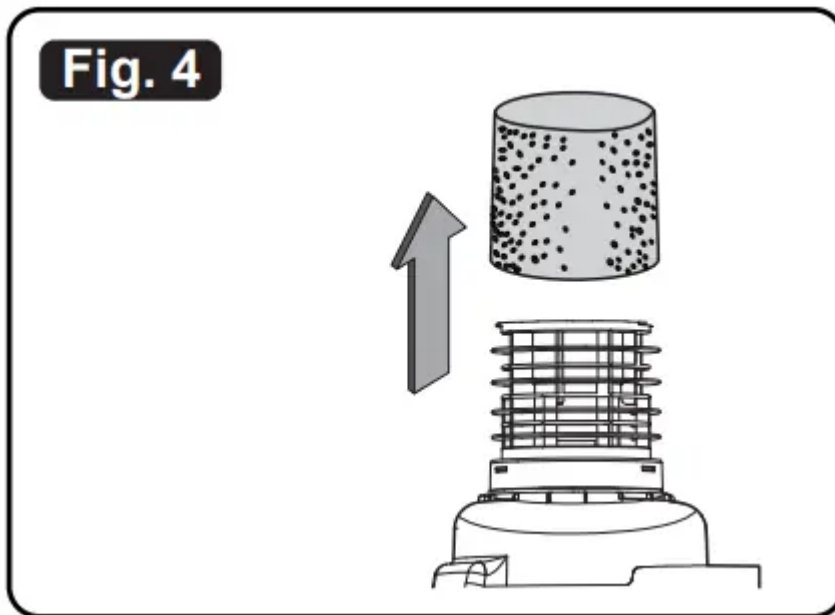
3. Carefully slide foam wet filter down over the filter cage making sure the cage is completely covered. (fig. 2 & 3)



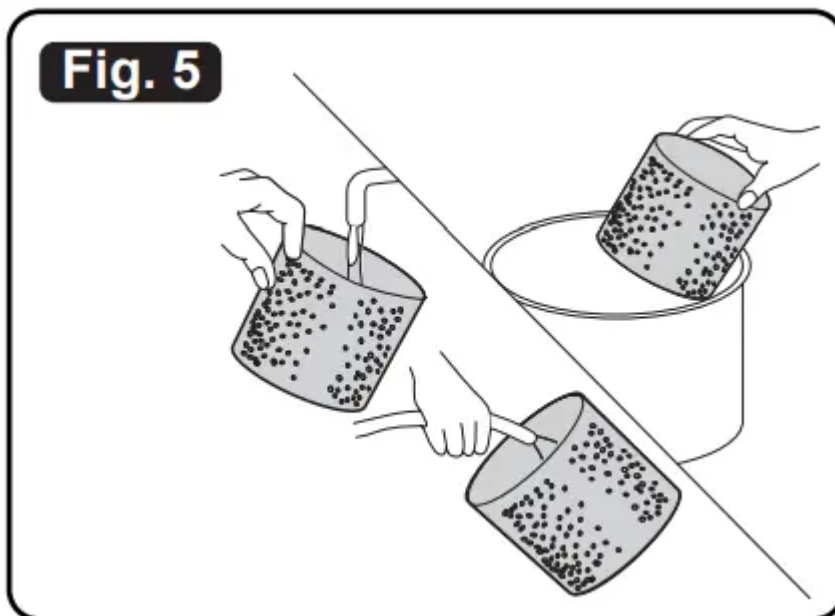
4. Place the power head onto the collection tank.

Cleaning Foam Wet Filter

1. With the removed power head in an upside down position, carefully remove foam wet filter. (fig. 4)



2. Use a mild soap and water solution to wash foam wet filter and rinse with clean water. (fig. 5)



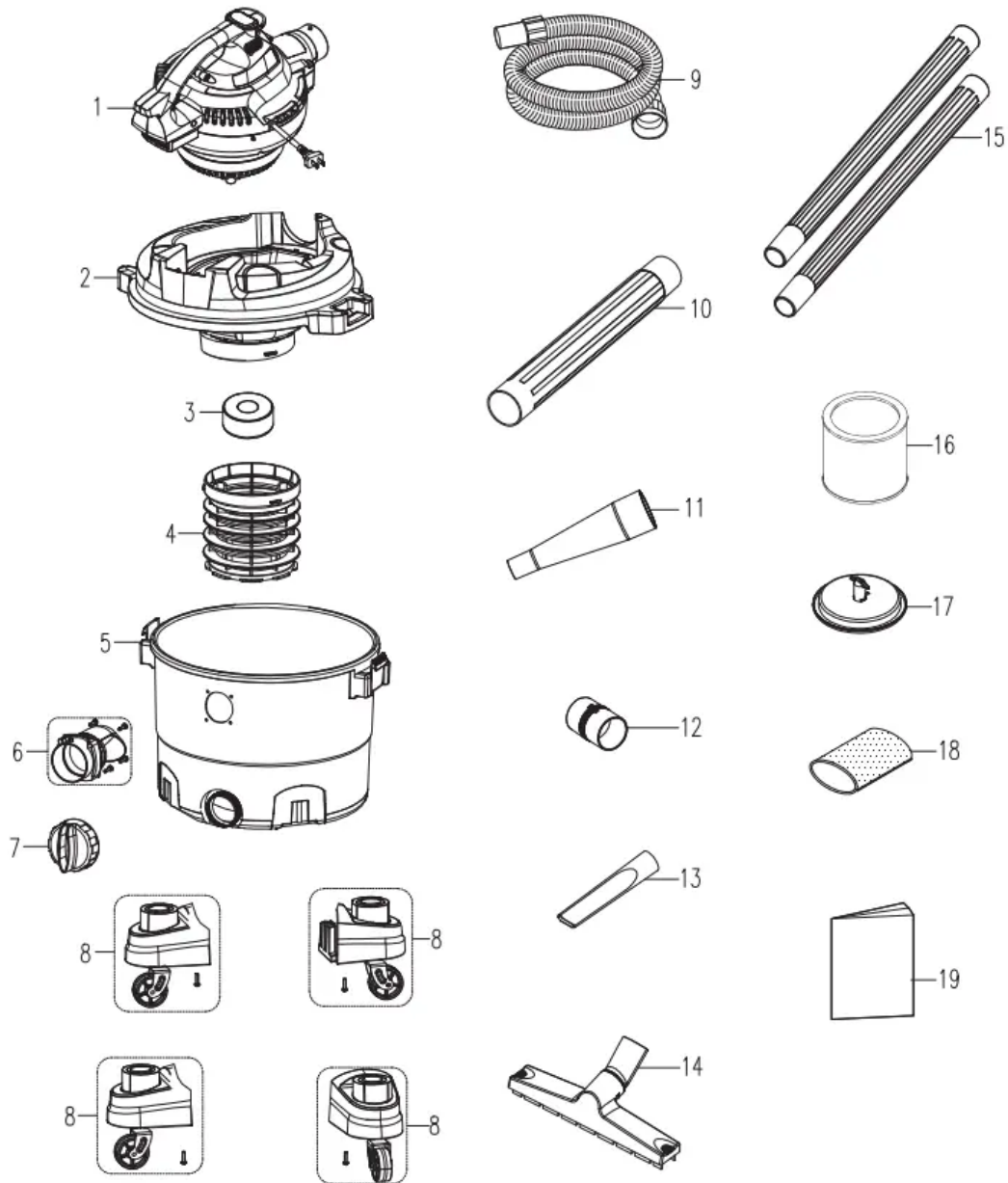
3. Allow filter to air dry before installing and using again.

TROUBLESHOOTING

WARNING: TO REDUCE THE RISK OF ELECTRIC SHOCK-UNPLUG BEFORE TROUBLESHOOTING.

Symptom	Possible Causes	Corrective Action
Vacuum will not operate.	1) No power supply.	1) Check power supply – cord, breakers, fuses.
	2) Faulty power cord.	2) Unplug and check the power cord. If damaged, have it repaired by a professional.
	3) Collection tank full.	3) Empty collection tank.
Dust comes out from motor cover.	1) The cartridge filter is missing or damaged.	1) Attach or replace cartridge filter.
Reduced efficiency and motor/ speed vibration.	2) There is a blockage in the nozzle, hose, or the vacuum inlets. Or the dust filter is blocked by fine dust.	2) Check nozzle, hose and inlets for blockage. Take off the filter and clean it, or install new filter.

EXPLODED VIEW & PARTS LIST



Key	Description	Part #	Qty	Key	Description	Part #	Qty
1	Power Head Assembly		1	11	Blower Concentrator Nozzle	551002115	1
2	Collection Tank Lid	551002142	1	12	Blower Adapter	551002121	1
3	Float	551008115	1	13	Crevice Tool	551004114	1
4	Filter Cage	551218102	1	14	Floor Nozzle	551296103	1
5	Collection Tank		1	15	Extension Wand	551004117	2
6	Vacuum Port Assembly	551002112	1	16	Cartridge Filter	240-5250	1
7	Drain Cap Assembly	551002110	1	17	Cartridge Filter Retainer	551004104	1
8	Caster Foot Assembly	551002111	4	18	Foam Wet Filter	551002118	1
9	Hose	551090104	1	19	Operator's Manual		1
10	Blower Wand	551002116	1				

Warning



This content is compiled from multiple sources and is provided for reference purposes only. It may not be complete or fully applicable to all situations. If you are unable to resolve your issue, please contact the product manufacturer or an authorized service provider for official support.

Document generated by [ManualsFile](#)