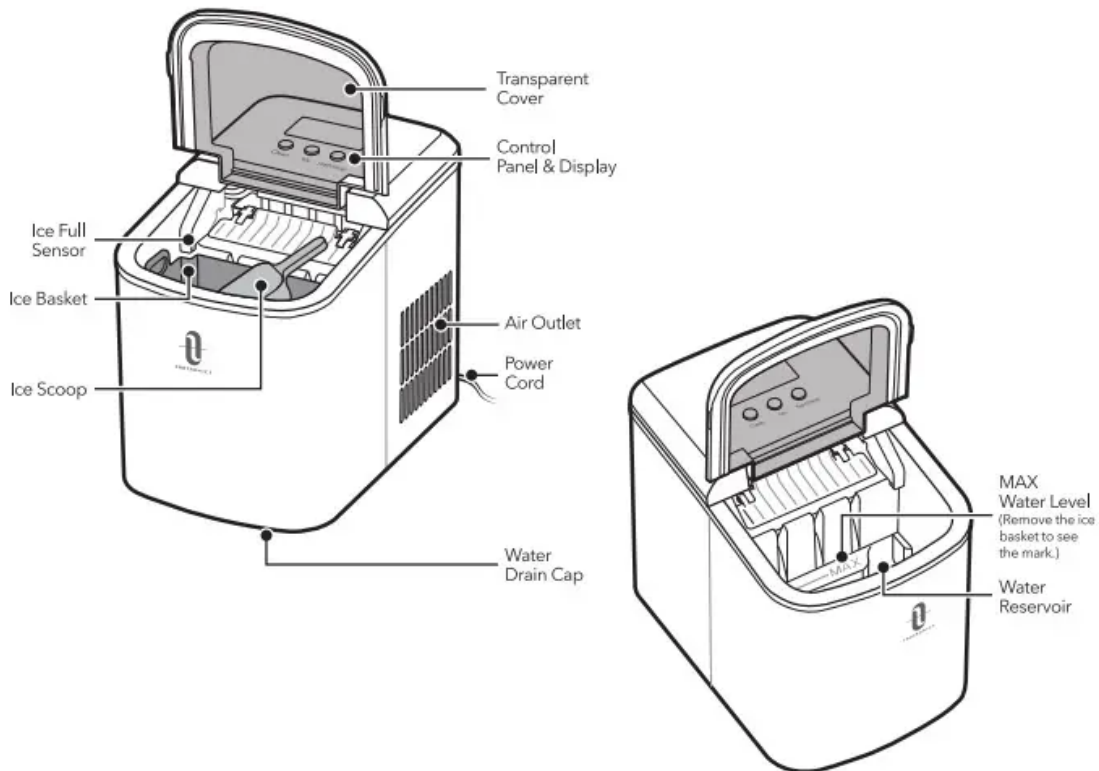


## BEFORE USING ICE MAKER

### PREPARING FOR USE



1. Remove all exterior and interior packaging. Check that all parts are inside
2. Clean the interior, ice basket and ice scoop with lukewarm water and a soft cloth
3. Place upright on a flat, level surface away from direct sunlight and/or other heat sources.
4. Settle the appliance for at least 2 hours before plugging in.



# CONTROL PANEL AND DISPLAY



## Display Screen



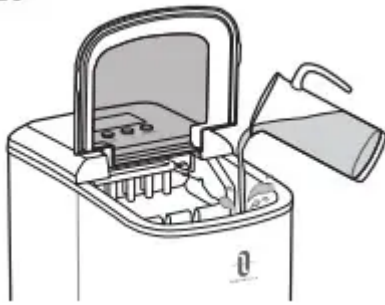
## Control Panel



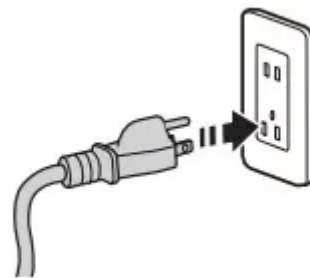
## USING YOUR ICE MAKER



1. Fill with clean drinking water. Do not exceed the MAX line.



- 2.



Plug into a properly installed grounded wall outlet.

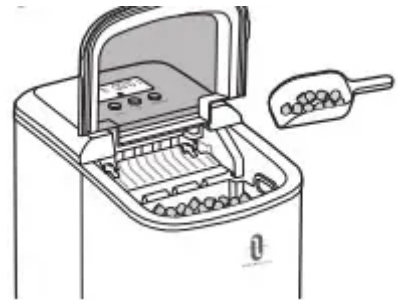
3. Press S/L to select the desired size of ice (Small / Large).



4. Press Start/Stop to start ice making cycle (6-8 minutes).



5.



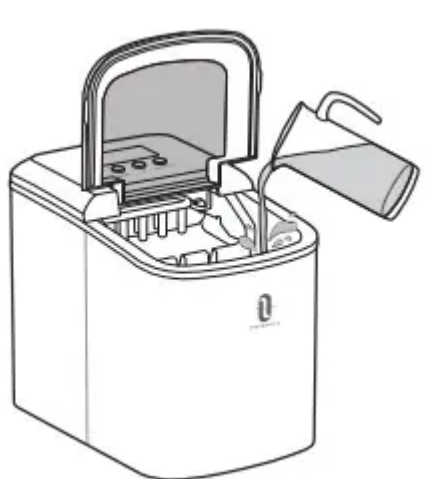
Once ready, remove the ice from the basket with scoop.



## CLEANING AND MAINTENANCE

### SYSTEM CLEANING

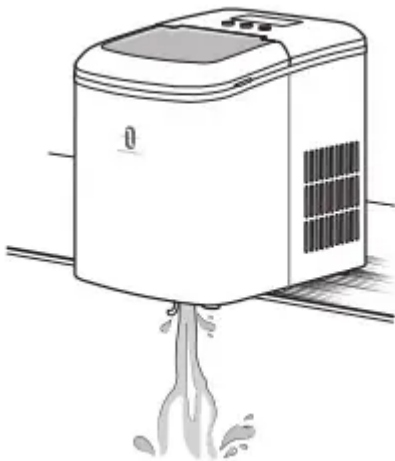
1. Fill with clean drinking water. Do not exceed the MAX line.



2. Press Clean, then press Start/Stop to start cleaning cycle.



3. Once completed, drain out the water by unplugging the drain cap



## REGULAR CLEANING



1. Take out the ice basket.
2. Clean the interior with warm water and a soft cloth.
3. Rinse inside parts and drain out the water.
4. Clean the exterior with lukewarm water and a soft cloth.

5. When not in use for an extended period of time, drain water completely and dry the interior.

## TROUBLE SHOOTING GUIDE

“Add Water” indicator is on

- Lack of water
  - Fill water upto the max level and press "Star/Stop"

“Ice Full” indicators on

- The ice baskets full
  - Remove the ice from the basket with scoop

No indicator lights up on display

- Not connected to power source
  - Be sure to connect to an appropriate electrical outlet
- The fuse blows
  - Contact TaoTronics Support Team

Ice cubes are sticking together

- Incorrect size of ice selected
  - Select the small size ice cube
- Ice cubes are left in water reservoir
  - Stop the appliance. and restart it when the ice cubes melt

Ice making cycle is normal but no ice is being formed

- Room or water temperature is too high
  - Suggested room temperature: 50°F - 105°F / 10°C - 40°C
  - Suggested water temperature: 40°F - 90°F / 4°C - 32°C.
- Refrigerant in cooling system is leaking
  - Contact TaoTronics Support Team
- Ice in the cooling systems blocked
  - Contact TaoTronics Support Team

“Ice Full” indicator is not on when the ice basket is full

- Ice full sensor failed
  - Contact TaoTronics Support Team

- Infrared detection is affected by strong light
  - Move the ice maker to relatively dark place

## IMPORTANT SAFETY INSTRUCTIONS

### INTENDED USE

- This appliance is not intended for use by persons (including children) with reduced physical, sensory or mental capabilities, or lack of experience and knowledge, unless they have been given supervision or instruction concerning the use of the appliance by person responsible for their safety.
- Close supervision is necessary when any appliance is used by or near children. Children should be supervised to ensure that they do not play with the appliance. Cleaning and user maintenance shall not be done by children unless they are older than 8 and supervised.
- Use the appliance only for intended household purposes as described in this User Manual. Any other use is not recommended that may cause fire, electric shock, or injury to persons.

### ELECTRICITY SAFETY

- This appliance must be provided with correct voltage via a professionally installed power socket. Make sure the voltage indicated on the label of the appliance is the same as your local supply.
- DO NOT operate the appliance if the plug, the main cord or the appliance itself is damaged. Always make sure that the plug is inserted properly into a wall outlet.
- DO NOT use an extension cord with this unit.

### RELATED TO USE

- Always make sure to place the Ice Maker on a flat, level surface before operation.
- DO NOT let cord hang over edge of table or counter, or touch hot surfaces.
- DO NOT use any other liquid to make ice other than water.
- DO NOT use mechanical devices to defrost.
- DO NOT attempt to disassemble, repair, modify or replace any part of your product. All servicing should be performed by qualified personnel only.
- DO NOT tip the appliance over. If it is stored tipped over, please set upright for at least 2 hours before plugging it in.
- Always unplug the appliance before cleaning, making any repairs or servicing, or whenever not in use.

- If the appliance is stored in cold environment. wait at least 3 hours for the appliance to warm to room temperature before plugging in.

## SPECIFICATIONS

Model	TT-IC002
Voltage	120V~60Hz
Rated Power	120 W
Daily Capacity	26lbs. / 12kg
Ice Basket Capacity	1.3lbs. / 0.6kg
Water Reservoir Capacity	2.1L

## WARRANTY AND SERVICE

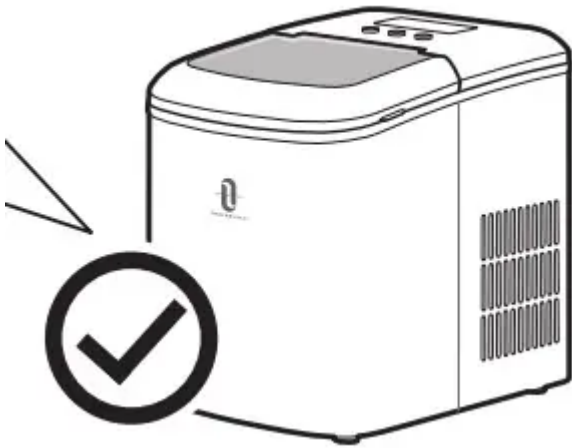
Thanks for choosing TaoTronics Ice Maker.

This products covered with TaoTronics product and labor warranty for 12 months from the date of its original purchase.

The warranty will not apply in cases of

- Accident. misuse. or repairs performed by unauthorized personnel
- Any unit that has been tampered with or used for commercial purpose
- Normal wear and tear of wearable parts.
- Use of force. damage caused by external influences
- Damage caused by non-observance of the User Manual. e.g. connection to an unsuitable mains supply or non-compliance with the instructions.
- Partially or completely dismantled appliances.
- Defects caused by or resulting from damages from shipping or from repairs. service. or alteration to the product or any of ts parts that have been performed by a repair person not authorized by TaoTronics.

We can only provide after-sales service for products that are sold by TaoTronics or TaoTronics authorized retailers and distributors. If YOU have purchased your unit from a different place. please contact your seller for return and warranty



### **Warning**

This content is compiled from multiple sources and is provided for reference purposes only. It may not be complete or fully applicable to all situations. If you are unable to resolve your issue, please contact the product manufacturer or an authorized service provider for official support.