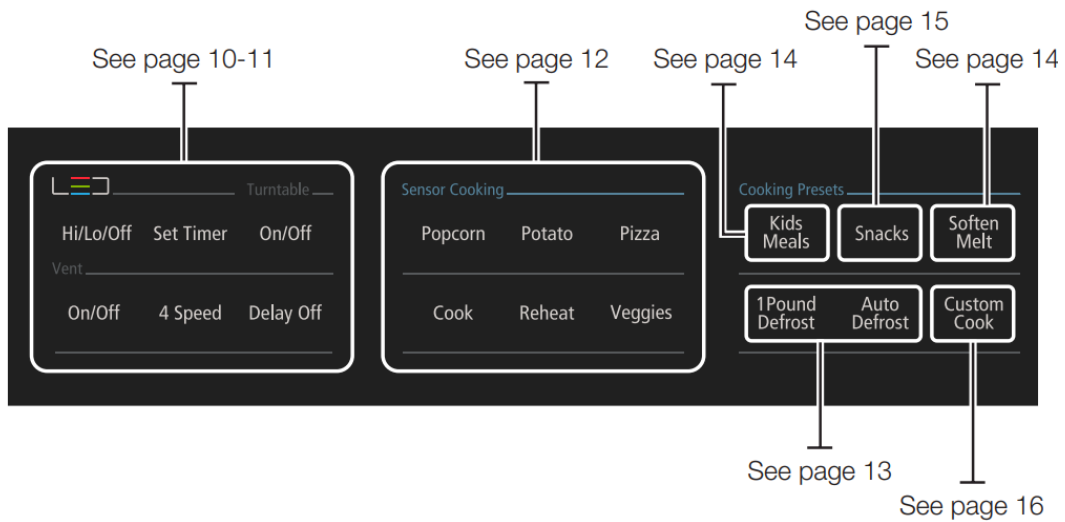


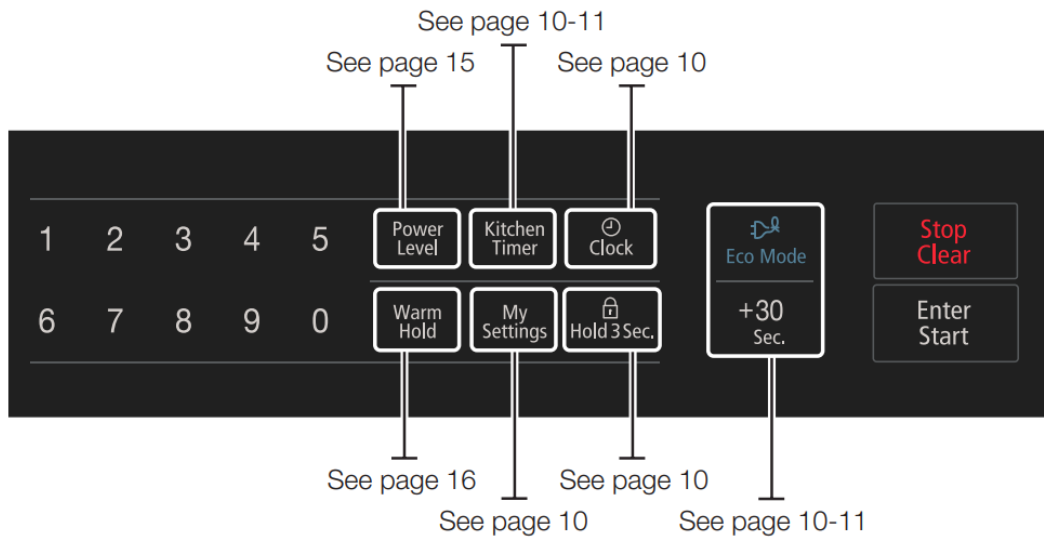
SETTING UP YOUR MICROWAVE OVEN

CHECKING THE CONTROL PANEL



Display





TURNING ON THE POWER FOR THE FIRST TIME

The first time you plug the power cord into an outlet, the display turns on after four seconds with: PLEASE PRESS CLOCK AND SET TIME OF DAY.

SETTING THE TIME

Your microwave oven is equipped with a built-in clock. Set the clock when first installing your microwave oven and after a power failure. The time is displayed whenever the microwave oven is not being used.

1. Press the Clock button
2. The display will show ENTER TIME OF DAY.
3. Use the number buttons to enter the current time. You need to press at least three numbers to set the clock. For example, if the current time is 5:00, press 5, 0, 0. The display will show: 5:00.
4. Press the Enter/Start button.
5. The display will show AM Press1 PM Press2.
6. Use the number button to select AM / PM.
7. Press the Enter/Start button.
8. A colon appears indicating that the time is set.

CHILD LOCK

The Child Lock function allows you to lock the buttons so that the microwave oven cannot be operated accidentally. The oven can be locked at any time.

Activating/Deactivating

If you want to activate or deactivate the child lock function, press the Hold 3 Sec. button for 3 seconds. The display will show CHILD LOCK ON when the oven is locked and then redisplay the time.

MY SETTINGS

You can customize your new microwave oven to suit your preferences. To customize:

1. Press the My Settings button.
2. Press the number button that corresponds to the function you want to customize.
3. Press the number that corresponds to the option you want.

The functions, options, and corresponding number buttons are listed in the table below.

No.	Function	Options
1	Weight mode selected	1 Lbs. 2 Kg.
2	Sound on/off control	1 Sound ON 2 Sound OFF
3	Clock display control	1 12HR 2 24HR
4	Display Scroll Speed	1 Slow speed 2 Normal speed 3 Fast speed
5	Remind end signal	1 ON 2 OFF
6	Demo mode	1 ON 2 OFF
7	Daylight Saving time	1 ON 2 OFF

USING YOUR MICROWAVE OVEN

KITCHEN TIMER BUTTON

This microwave allows you to use your microwave oven as a timer. Use the Kitchen Timer for timing up to 99 minutes, 99 seconds.

1. Press the Kitchen Timer button.
2. Use the number buttons to set the length of time you want the timer to run.
3. Press the Enter/Start button

4. The display counts down and beeps when the time has elapsed.
5. To cancel the timer setting: Press the Stop/Clear button once.

ADD 30 SEC. BUTTON

This simplified control saves you time, letting you quickly start cooking at 100 % power.

1. Press the Add 30 Sec. button for each 30 seconds you want the food to be cooked for. For example, press it twice to cook it for one minute, and then press the Enter/Start button to start cooking.
2. Add 30 sec. to a cooking program already in progress by pressing the Add 30 Sec. button for every additional 30 seconds you want to add.

VENT BUTTONS (4 SPEED & ON/OFF)

The vent removes steam and other vapors from the cooking surface. You can manually select the vent setting.

1. Press the Vent 4 Speed button to set the speed level.
2. Press the Vent On/Off button to turn the vent on.
3. Press the Vent On/Off button again to turn the vent off.

VENT DELAY OFF BUTTON

Press the Delay Off button to turn the fan off after a certain number of minutes. The number of minutes depends on how many times you press the button.

Press (times)	1	2	3	4	5
Delay off (min)	1	3	5	10	30

LED HI/LO/OFF BUTTON

The LED button allows you to select a brightness setting for the light in your microwave.

Press (times)	1	2	3
LED	High	Low	Off

SET TIMER BUTTON

You can set the microwave so the LED Light turns on and off automatically at a preset time. The LED Light comes on at the same time every day until reset.

1. Press the Set Timer button.
2. Use the Number button to set the LED Light on time.
3. Press the Enter/Start button.
4. Use the Number button to select AM or PM.
5. Press the Enter/Start button.
6. Use the Number button to set the off time
7. Press the Enter/Start button.
8. Use the Number button to select AM or PM.
9. Press the Enter/Start button.

TURNTABLE ON/OFF BUTTON

For best cooking results, leave the turntable on. However, for large dishes it can be turned off.

Press the Turntable On/Off button to turn the turntable on or off.

AUTO DEFROST BUTTON

To thaw frozen foods, enter the weight of the food, and the microwave automatically sets the defrosting time, power level and standing time. Press Enter/Start button to start defrosting.

1. Press the Auto Defrost button. The display shows: ENTER WEIGHT.
2. Press the number buttons to directly enter the weight of the food.
3. Press Enter/Start button.
4. The oven will beep and the display will read TURN THE FOOD OVER twice during the defrosting process. Open the oven door, and turn the food over.

CUSTOM COOK BUTTON

1. Press the Custom Cook button. The display shows Press START OR ENTER NEW TIME.
2. Use the number buttons to enter the cooking time. The display will show the set time.
3. Press the Power Level button and use the number buttons to enter the power level. The display will show the selected power level. You can set the power level from 0 to 9.
4. Press the Enter/Start button again.

5. To retrieve a Custom Cook setting, press the Custom Cook button, then press the Enter/Start button.

- You can only recall one stored Custom Cook setting at a time.

CLEANING AND MAINTAINING

Keeping your microwave oven clean improves its performance, wards off unnecessary repairs, and lengthens its life.

CLEANING THE EXTERIOR

It's best to clean spills on the outside of your microwave oven as they occur. Use a soft cloth and warm, soapy water. Rinse and dry.

Cleaning under your microwave oven

Regularly clean grease and dust from the bottom of your microwave using a solution of warm water and detergent.

Cleaning the control panel

Wipe with a damp cloth and dry thoroughly. Do not use cleaning sprays, large amounts of soap and water, abrasives, or sharp objects on the panel as it is easily damaged.

Cleaning the door and door seals

Always ensure that the door seals are clean and that the door closes properly. Take particular care when cleaning the door seals to ensure that no particles accumulate and prevent the door from closing correctly. Wash the glass door with very mild soap and water. Be sure to use a soft cloth to avoid scratching.

If a thin film of water accumulates on the inside or outside of the oven door, wipe it off with a soft cloth. A thin water film can accumulate when you operate the oven at high humidity and in no way indicates microwave leakage.

CLEANING THE INTERIOR

Clean the interior surfaces (oven cavity) of your microwave oven periodically to remove any splashes or stains. To remove hardened food articles and remove smells, place 2 cups of water (add lemon juice for extra freshness) into a four-cup measuring glass. Run the microwave at High power for 5 minutes or until the water boils. Let water stand in the oven for one or two minutes.

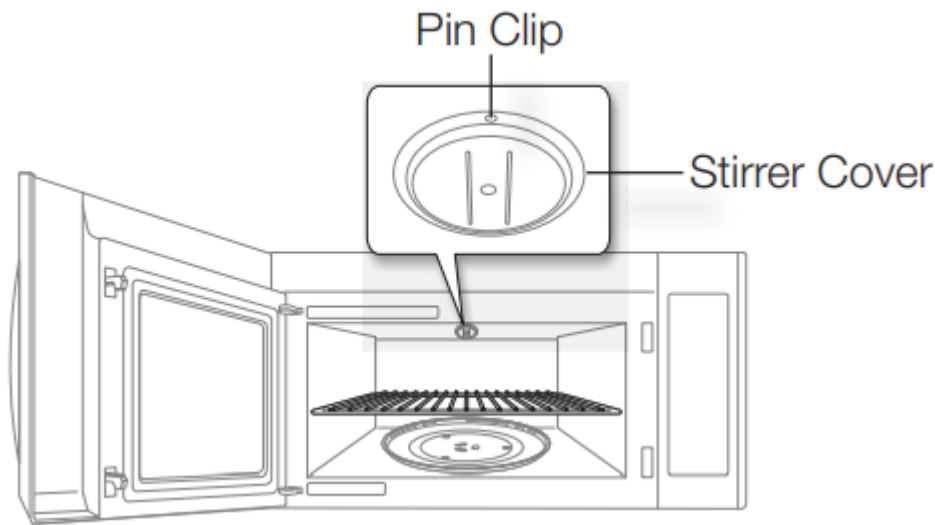
CLEANING THE TURNTABLE AND ROLLER RINGS

Clean the roller rings periodically and wash the turntable as required. You can wash the turntable safely in your dishwasher.

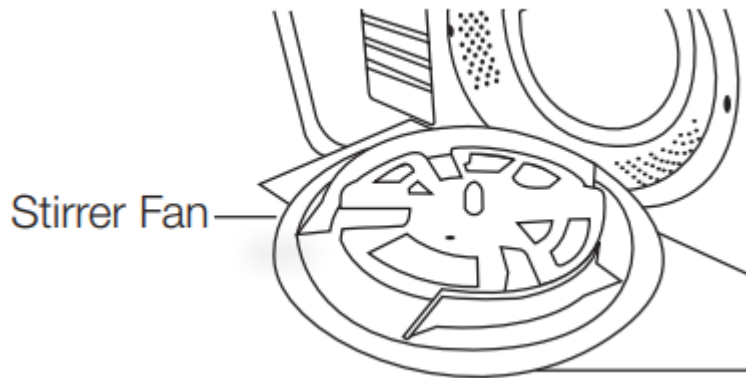
CLEANING THE STIRRER FAN ASSEMBLY

The function of the stirrer fan is to distribute the microwave energy within the oven cavity. To assure even cooking of your food and optimum performance of this unit, the stirrer fan should be cleaned from time to time.

1. Disconnect the power cord and open the oven door.
2. Remove the plastic pin clip by pulling straight down. If you can not pull it out by hand, you may need to use pliers or carefully pry it out using a small screwdriver.
3. The stirrer cover can now be rotated clockwise slightly to the left. Please note that it will only move about 1/8", (3 mm), or so.



4. Pull the cover and the stirrer fan straight down to remove it from the oven.
5. Inspect the fan and cover assembly for any damage or broken parts.
6. Clean both the fan and the cover using a dish brush and a solution of warm water and detergent. Be careful not to bend the stirrer fan. Dry both parts thoroughly.
7. Place the fan on the pin and confirm that it moves freely.
8. Reinstall the stirrer assembly into the oven making certain the hole for the plastic pin clip is towards you at the six-o'clock position.
9. Rotate the cover assembly counter-clockwise until you can insert the plastic pin clip.
10. Reconnect the power cord and confirm the operation of the oven.



The condition of the grease filters and/or charcoal filter may be a good guide for determining how frequently the stirrer fan should be inspected and cleaned for proper operation.

STORING AND REPAIRING YOUR MICROWAVE OVEN

If you need to store your microwave oven for a short or extended period of time, choose a dust-free, dry location. Dust and dampness may adversely affect the microwave parts

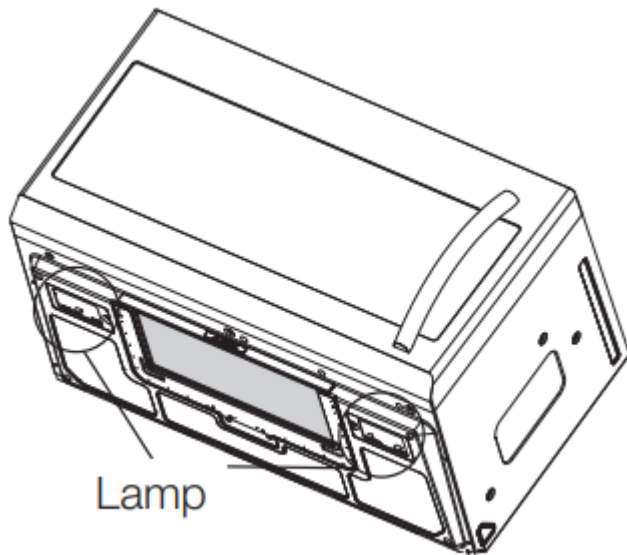
WARNING

- Do not repair, replace or service any part of your microwave oven yourself. Allow only a qualified service technician to perform repairs. If the oven is faulty and needs servicing, or you are in doubt about its condition, unplug the oven from the power outlet and contact your nearest service center.
- Do not use the oven if it is damaged, in particular, if the door or door seals are damaged. Door damage includes a broken hinge, a worn out seal, or distorted/bent casing.
- Do not remove the oven from its casing.
- This microwave oven is for home use only and is not intended for commercial use.

REPLACING THE COOKTOP/NIGHT LIGHT

When replacing the cooktop/night light, make sure that you are wearing gloves to avoid injury from the heat of the bulb.

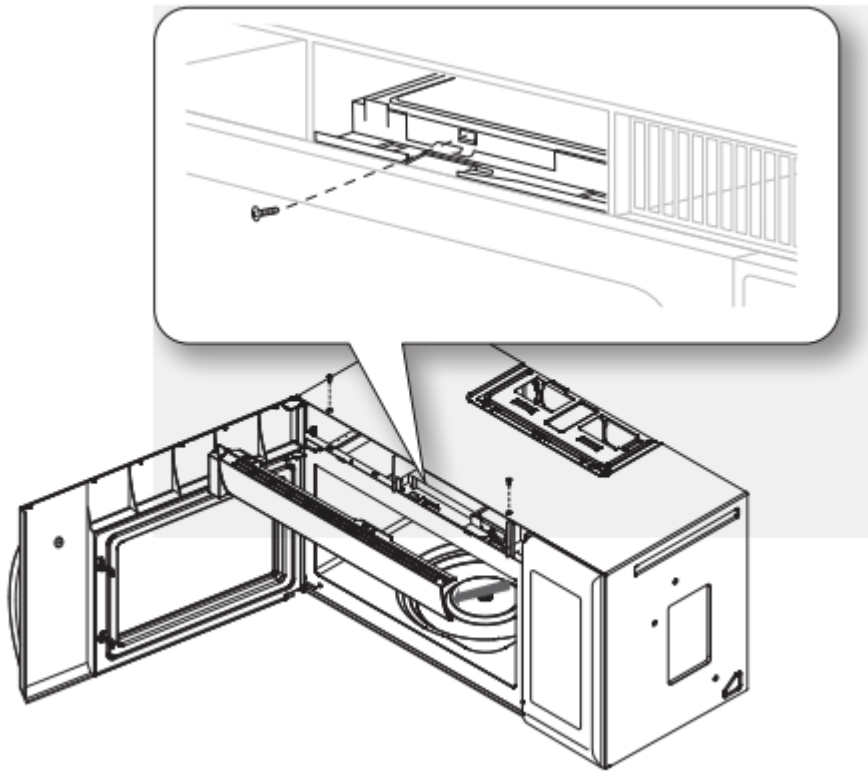
1. Unplug the oven or turn off the power at the main power supply.
2. Remove the screw from the light cover and lower the cover.
3. Disconnect the wire connector.
4. Remove the screw securing the LED lamp board.
5. Replace the LED lamp board



REPLACING THE OVEN LIGHT

When replacing the oven light, make sure that you are wearing gloves to avoid injury from the heat of the bulb.

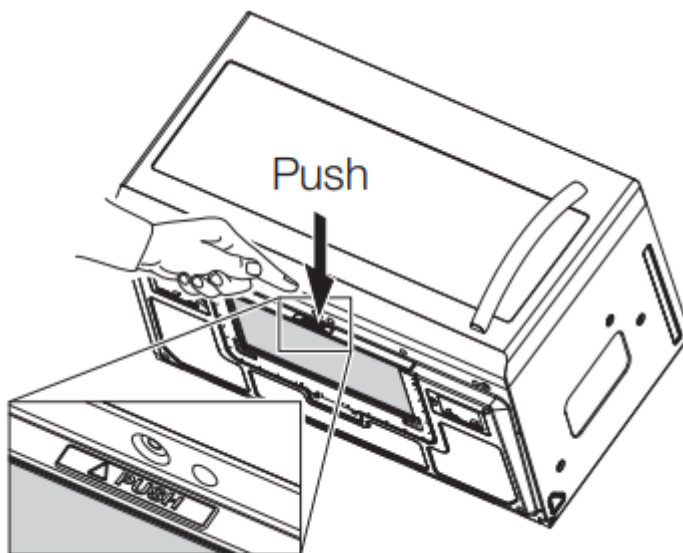
1. Unplug the oven or turn off the power at the main power supply.
2. Open the door.
3. Remove the vent cover mounting screws (2 middle screws).
4. Slide the vent grille to the left, then pull it straight out.
5. Remove the charcoal filter, if present.
6. Remove the screw securing the lamp cover
7. Remove the bulb by pulling it out gently.
8. Replace the bulb with a 40 watt halogen bulb.
9. Replace the lamp cover.
10. Replace the vent grille and the 2 screws.
11. Turn the power back on.



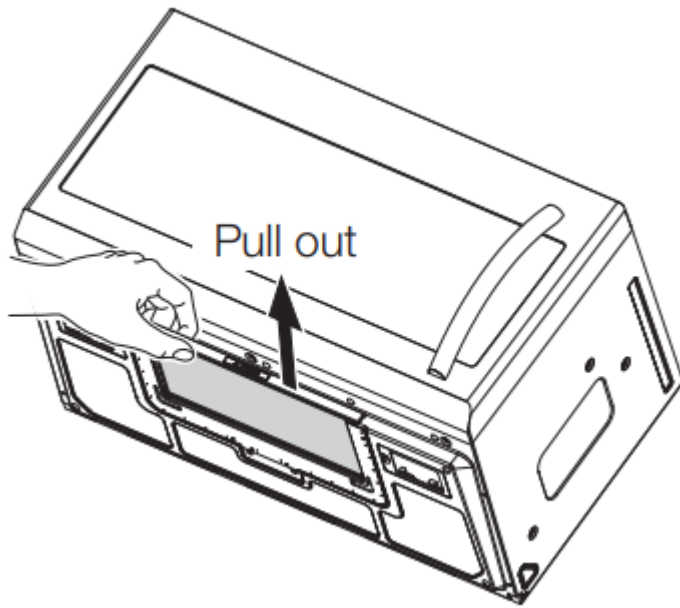
CLEANING THE GREASE FILTER

Your microwave oven has reusable grease filter. The grease filter should be removed and cleaned at least once a month, or as required.

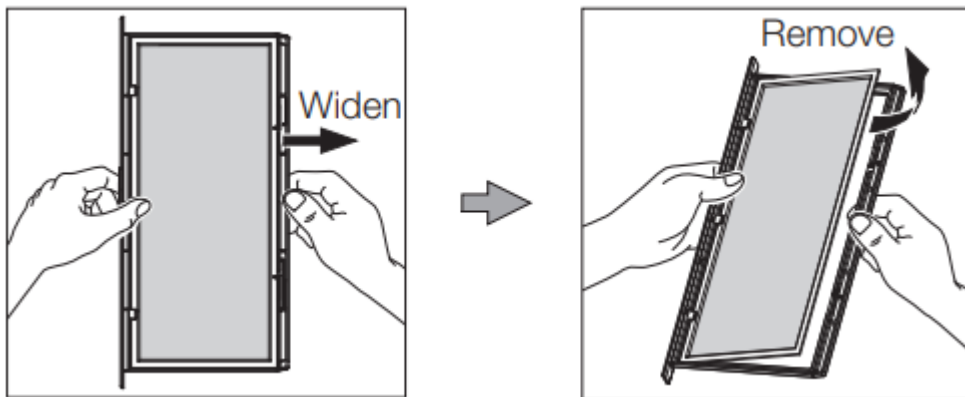
1. To remove the filter, push the front of the grease filter case where it says "PUSH".



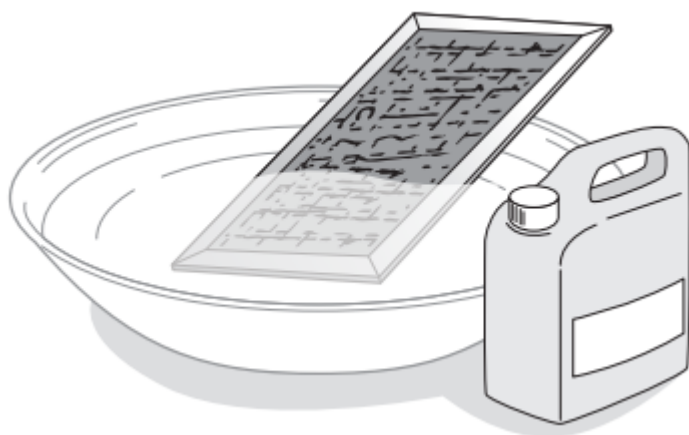
2. Pull the filter case out of the microwave oven.



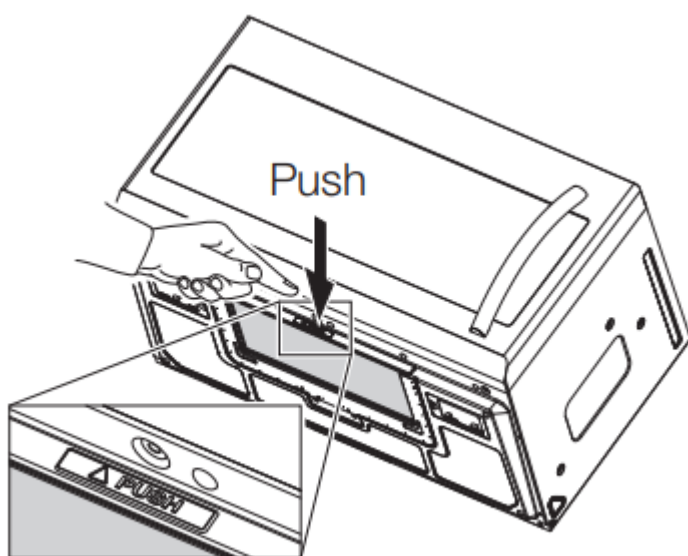
3. Remove the filter from the filter case by widening the case, as shown below. Then, soak the grease filter in hot water mixed with a mild detergent. Rinse well and shake to dry. If necessary, brush the filter lightly to remove embedded dirt. When the filter is dry, put it back in the filter case.



WARNING: Do not use ammonia or put the grease filter in the microwave oven. The aluminum will darken



4. To re-insert the filter into the microwave oven, slide the filter case into the frame slot, and then push it inside.

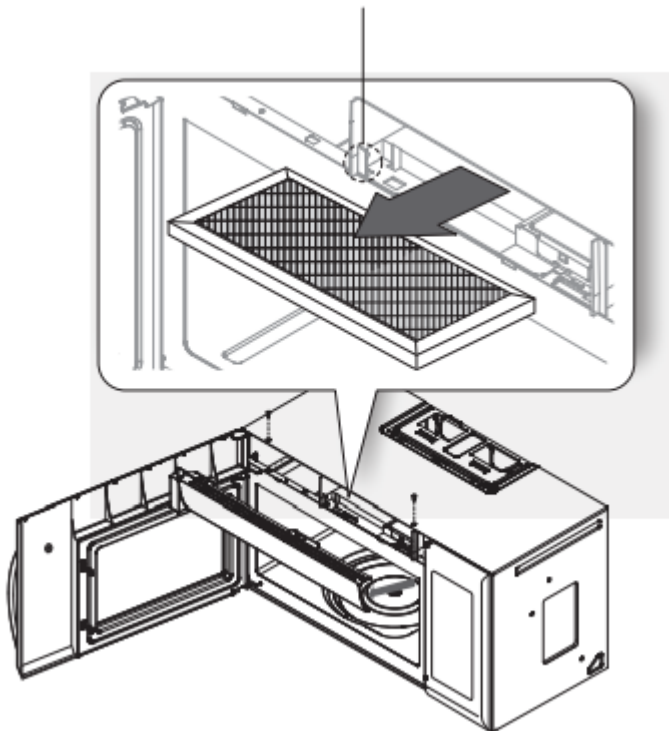


REPLACING THE CHARCOAL FILTER

If your oven is vented to the inside, the charcoal filter should be replaced every 6 to 12 months and more often if necessary. The charcoal filter cannot be cleaned. To order a new charcoal filter, contact the Parts Department at 1-800-627-4368 or your Samsung dealer.

1. Unplug the oven or turn off the power at the main power supply.
2. Open the door.
3. Remove the vent grille mounting screws (2 middle screws).
4. Slide the vent grille to the left, then pull it straight out.
5. Push the hook and remove the old filter.

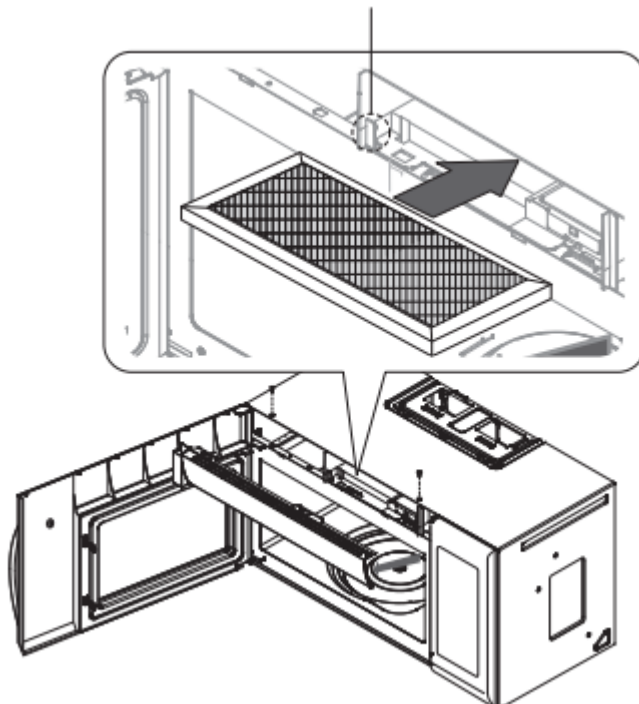
The filter angle



6. Slide a new charcoal filter into place. The filter should rest at the angle shown.

7. Replace the vent grille and 2 screws and close the door. Turn the power back on and set the clock.

The filter angle



TROUBLESHOTING

Check these solutions if you have a problem with your microwave:

Problem	Solution
The display and/or the oven is not working.	<p>Make sure the plug is properly connected to a grounded outlet. If the wall outlet is controlled by a wall switch, make sure the wall switch is turned on.</p> <p>Remove the plug from the outlet, wait ten seconds, and plug it in again. Reset the circuit breaker or replace any blown fuses.</p> <p>Plug a different appliance into the outlet. If the other appliance doesn't work, call a qualified electrician to repair the wall outlet.</p> <p>Plug the oven into a different outlet.</p>
The display is working, but the power won't come on.	<p>Make sure the door is closed securely. Check if any packaging material or anything else is stuck in the door seal. Check if the door is damaged.</p> <p>Touch Cancel twice and enter all the cooking instructions again.</p>
The microwave turned off before the set time elapsed.	<p>If there was a power outage, the time indicator will display: 88:88.</p> <p>If no power outage occurred, remove the plug from the outlet, wait ten seconds, and plug it in again. Reset the clock and any cooking instructions.</p> <p>Reset the circuit breaker or replace any blown fuses</p>
Cooks food too slowly	<p>Make sure the oven has its own 20 amp circuit line. Operating another appliance on the same circuit can cause a voltage drop. If necessary, move the oven to its own circuit.</p>
Has sparks or arcing.	<p>Remove any metallic utensils, cookware, or metal ties. If using foil, use only narrow strips and allow at least one inch between the foil and the interior oven walls.</p>
The turntable makes noise or becomes stuck.	<p>Clean the turntable, roller ring and oven floor.</p> <p>Make sure the turntable and roller ring are positioned correctly.</p>

Causes TV or radio interference.	This is similar to interference caused by other small appliances, such as hair dryers. Move your microwave (or appliance) away from appliances, such as your TV or radio.
Vent Motor suction force is too weak.	Set the vent mode to high. The Vent Fan will only operate in low speed mode while the microwave is working.
Operating noise is too loud.	The MWO makes noise during operation. This is normal. If you hear an abnormal sound continuously, please contact the Samsung Call Center (1-800-726- 7864).
Cook top lamp is too dim.	Set the lamp brightness level to high.
Difficult to replace Charcoal Filter.	Please refer to the instructions for replacing the charcoal filter in the user's manual.
Turntable rotates improperly.	Make sure you have not put too much food on the turntable. If the food is too large or too heavy, the turntable may operate improperly
A message of "Close Door" appears on the display	This is because you pressed the Enter/Start button while the door was not closed. Make sure to close the door and press the Enter/Start button again. If the message of "Close Door" still appears, contact us for technical assistance.

Specifications

Model number	ME21F707MJT/AC	
Oven Cavity : 2.1 cu ft	Timer : 99 minutes, 99 seconds	Controls : 10 power levels, including defrost
Power Source : 120 VAC, 60 Hz	Power Output : 950 Watts	Power Consumption : 1500 Watts
Net/Shipping Weight	58.0/65.0 lbs	
Outside Dimensions	29 ¹³ / ₁₆ "(W) X 16 ¹⁵ / ₁₆ "(H) X 18 ¹ / ₈ "(D)	
Oven Cavity Dimensions	22 ¹ / ₈ "(W) X 10 ¹³ / ₁₆ "(H) X 14 ¹³ / ₁₆ "(D)	
Shipping Dimensions	33 ³ / ₈ "(W) X 19 ⁷ / ₁₆ "(H) X 20 ¹³ / ₁₆ "(D)	

Warning

This content is compiled from multiple sources and is provided for reference purposes only. It may not be complete or fully applicable to all situations. If you are unable to resolve your issue, please contact the product manufacturer or an authorized service provider for official support.