

## INSTALLATION INSTRUCTIONS

### Prepare Location

**NOTE:** It is recommended that the vent system be installed before hood is installed.

Before making cutouts, make sure there is proper clearance within the ceiling or wall for exhaust vent.

1. Disconnect power.

**WARNING Electrical Shock Hazard** Disconnect power before servicing.

Replace all parts and panels before operating.

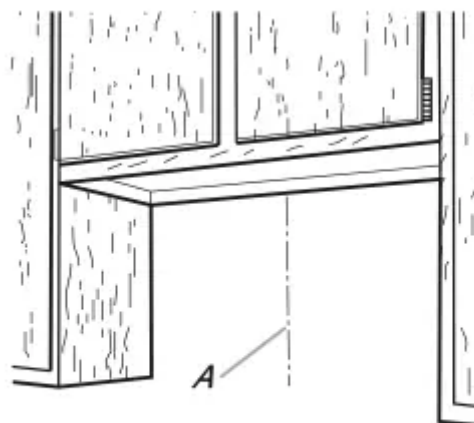
Failure to do so can result in death or electrical shock.

2. Depending on your model, determine which venting method to use: roof, wall, or non-vented (recirculating).
3. Select a flat surface for assembling the range hood. Place covering over that surface.
4. Lift the range hood and set it upside down onto covered surface.

### Determine Wiring Hole Location

Cut only one 1¼ " (3.2 cm) diameter wiring access hole.

1. Determine and clearly mark a vertical centerline on the wall and cabinet in the area the vent opening will be made.

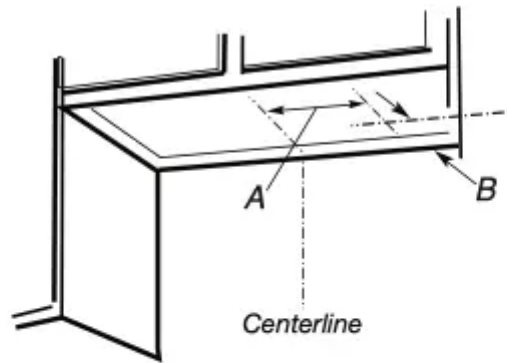


A. Centerline

### To wire through top:

1. Mark a line distance "A" from the right of the centerline on the underside of the cabinet. For 12" (30.5 cm) deep cabinets, mark the point on this line that is 2" (5.1 cm) from the back

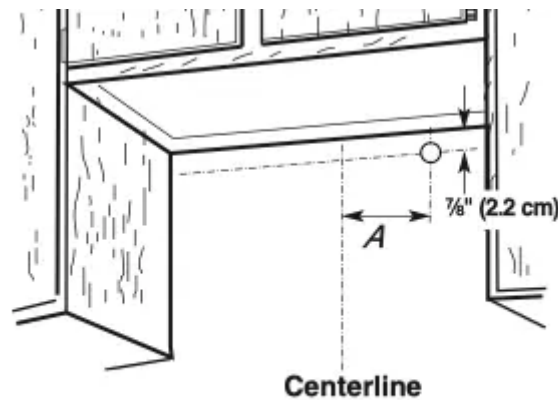
wall. For 15" (38.1 cm) deep cabinets, mark the point on this line that is 5" (12.7 cm) from the back wall. Drill a 1¼" (3.2 cm) diameter hole through the cabinet at this point.



- A. 8<sup>3</sup>/<sub>8</sub>" (21.3 cm)
- B. 2" (5.1 cm) for 12" (30.5 cm) deep cabinets\*  
5" (12.7 cm) for 15" (38.1 cm) deep cabinets\*
- \*From wall, not cabinet frame

**To wire through wall:**

1. Mark a line distance "A" from the right of the centerline on the underside of the wall. Mark the point on this line that is 7/8" (2.2 cm) from the underside of the cabinet. Drill a 1¼" (3.2 cm) diameter hole through the rear wall at this point.



A. 8<sup>3</sup>/<sub>8</sub>" (21.3 cm)

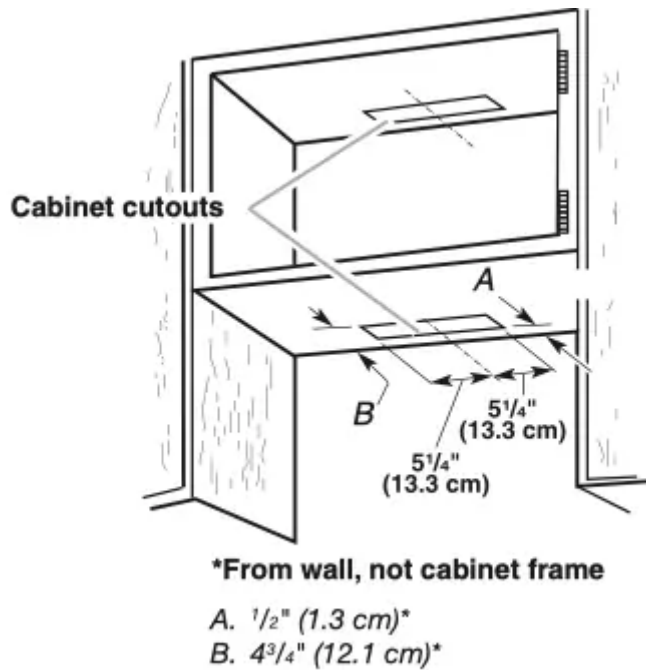
**Style 1 - Cut Openings for 3¼" x 10" (8.3 cm x 25.4 cm) Rectangular Vent System**

**Roof Venting**

To make a 4¼" x 10½" (10.8 cm x 26.7 cm) rectangular cutout on the underside of cabinet top and bottom:

1. Mark lines ½" (1.3 cm) and 4¾" (12.1 cm) from the back wall on the centerline of the underside of cabinet.
2. Mark lines 5¼" (13.3 cm) to the right and left of the centerline on the underside of cabinet.
3. Use saber or keyhole saw to cut a rectangular opening for vent.
4. Repeat steps 1-3 for the underside of the top of the cabinet.

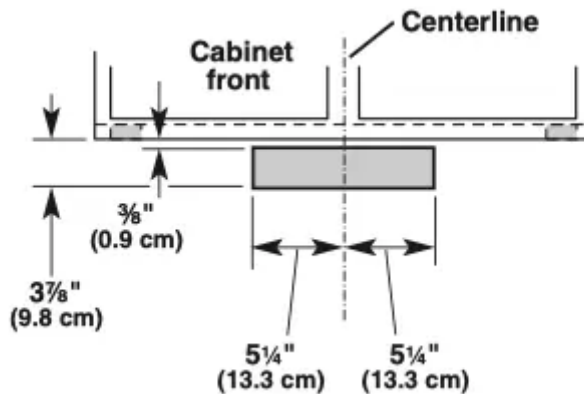




### Wall Venting

To make a  $3\frac{1}{2}$ " x  $10\frac{1}{2}$ " (8.9 cm x 26.7 cm) rectangle in the wall:

1. Make 2 lines by measuring  $\frac{3}{8}$ " (0.9 cm) and  $3\frac{7}{8}$ " (9.8 cm) down from underside of cabinet and mark on the centerline on the back wall.
2. Mark lines  $5\frac{1}{4}$ " (13.3 cm) to the right and left of the centerline on the wall.
3. Use saber or keyhole saw to cut a rectangular opening in the wall for the vent.



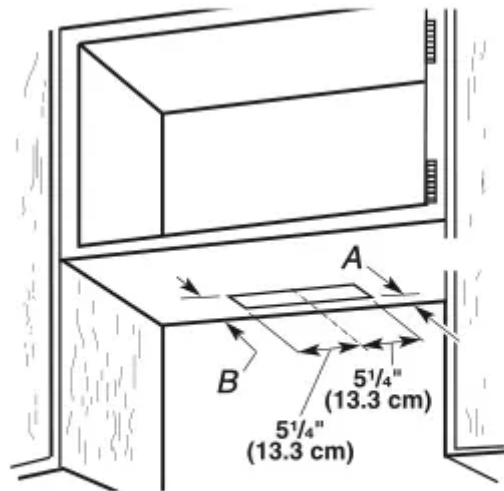
### Style 2 - Cut Openings for $3\frac{1}{4}$ " x 10" (8.3 x 25.4 cm) Rectangular Vent to Round Vent Transition

### Roof Venting

To make a  $4\frac{1}{4}$ " x  $10\frac{1}{2}$ " (10.8 cm x 26.7 cm) rectangular cutout on the underside of cabinet bottom:

1. Mark lines  $\frac{1}{2}$ " (1.3 cm) and  $4\frac{3}{4}$ " (12.1 cm) from the back wall on the centerline of the underside of cabinet.

2. Mark lines  $5\frac{1}{4}$ " (13.3 cm) to the right and left of the centerline on the underside of cabinet.
3. Use saber or keyhole saw to cut a rectangular opening for vent.



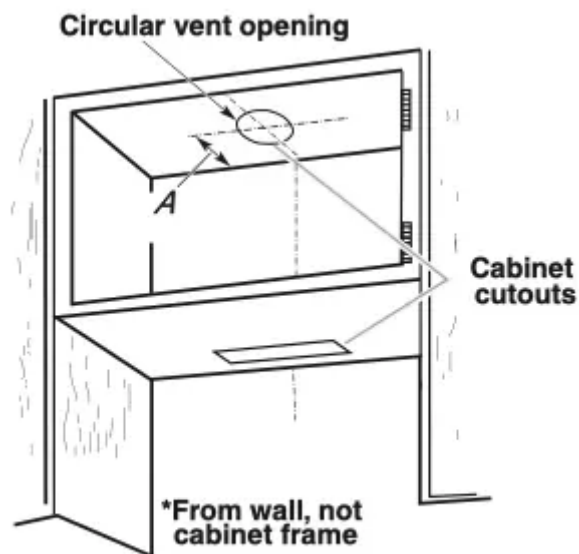
**\*From wall, not cabinet frame**

A.  $\frac{1}{2}$ " (1.3 cm)\*

B.  $4\frac{3}{4}$ " (12.1 cm)\*

#### **To make a circular vent opening on the underside of the cabinet top:**

1. Mark a centerline on the underside of the top of cabinet.
2. Mark a line 5" (12.7 cm) from the back wall on the underside of the top of cabinet.
3. Use a compass or a circle template to draw a circle with a diameter that is  $\frac{1}{4}$ " (0.64 cm) larger than the vent.
4. Use saber or keyhole saw to cut the circular vent opening.



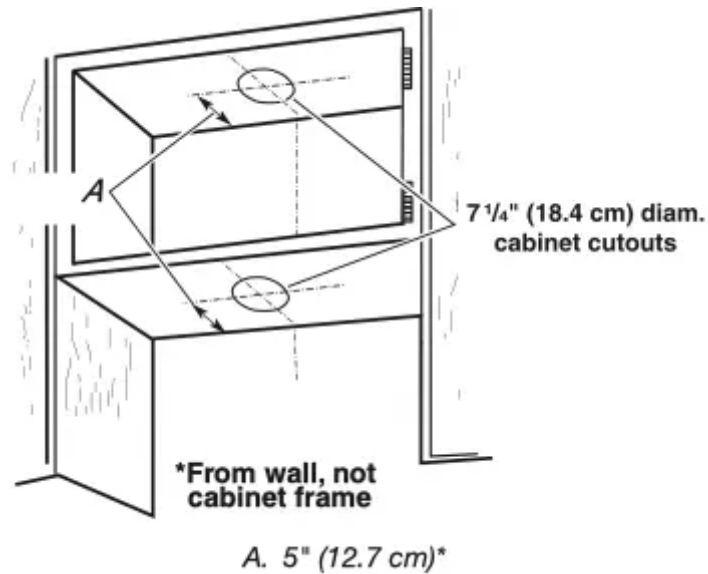
**\*From wall, not cabinet frame**

A. 5" (12.7 cm)\*

#### **Style 3 - Cut Openings for 7" (17.8 cm) Round Vent**

To make a circular vent openings on the underside of the cabinet top and bottom:

1. Mark a centerline on the underside of the top of cabinet.
2. Mark a line 5" (12.7 cm) from the back wall on the underside of the top and bottom of cabinet.
3. Use a compass or a circle template to draw a circle with a diameter that is  $\frac{1}{4}$ " (0.64 cm) larger than the vent.
4. Use saber or keyhole saw to cut the circular vent opening.



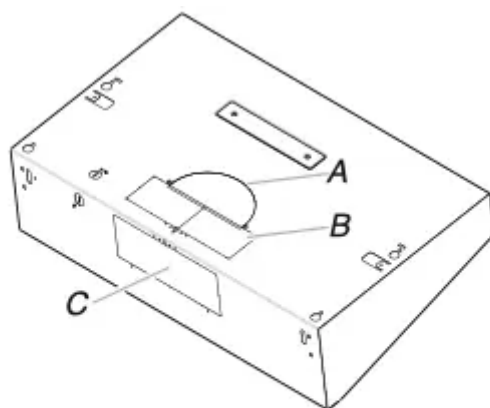
### **Install Vent System**

1. Install vent through the vent opening in upper cabinet or wall. Complete venting system according to the selected venting method. See the "Venting Requirements" section.
2. Use caulking to seal exterior wall or roof opening around the cap.

### **Prepare Range Hood**

Only for venting through the top/wall options:

1. Remove vent knockouts, depending on your installation requirements.



- A. Round vent knockout
- B. Top rectangular vent knockout
- C. Rear rectangular vent knockout

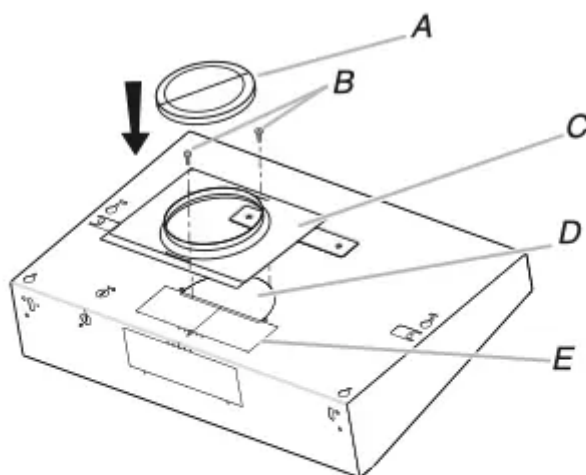
Round vent system installations - Remove top rectangular and round vent knockouts.

Rectangular vent system installations - For roof installations, remove the top rectangular vent knockout. For wall installations, remove the rear rectangular vent knockout.

Non-vent (recirculating) installations - Do not remove any knockouts.

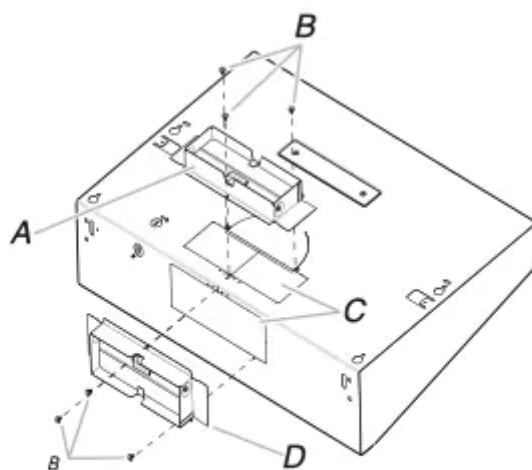
2. Install 7" (17.8 cm) round vent mounting plate or 3¼" x 10" (8.3 cm x 25.4 cm) vent damper, depending on your vent system installation. Attach to range hood with 3.5 x 9.5 mm screws provided and remove the tape from the damper flap.

**NOTE:** An optional 7" (17.8 cm) round damper is also available as an accessory. For information on ordering, see the "Accessories" section.



- A. 7" (17.8 cm) round damper  
(See the "Accessories" section)
- B. 3.5 x 9.5 mm screws
- C. 7" (17.8 cm) round vent mounting plate
- D. Round vent knockout
- E. Rectangular vent knockout

**NOTE:** The round vent damper may only be installed on the top of the product.

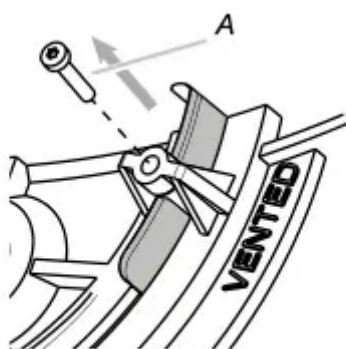


- A. Vertical air transition
- B. 3.5 x 9.5 mm screws
- C. Vent knockouts
- D. Horizontal air transition

### Only for recirculating options

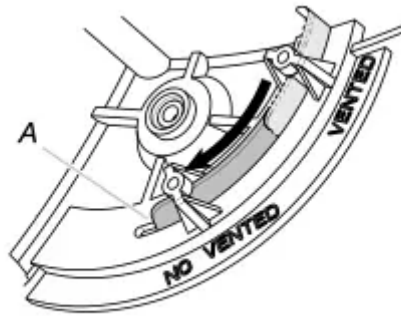
For this venting method, it is necessary to purchase a Charcoal Filter Kit. See the “Accessories” section for ordering.

1. Remove each filter by pulling the spring-release handle and then pulling down the filter.
2. Remove the venting method screw from the Vented option with a TORX® T10 screwdriver and set aside.



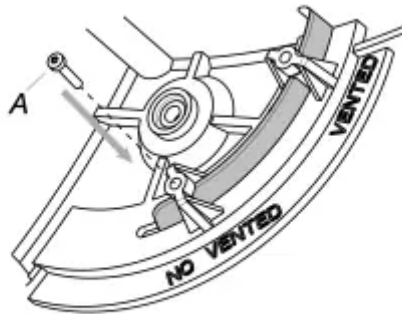
A. Venting method screw

3. Slide the venting lever down as shown in the following image.



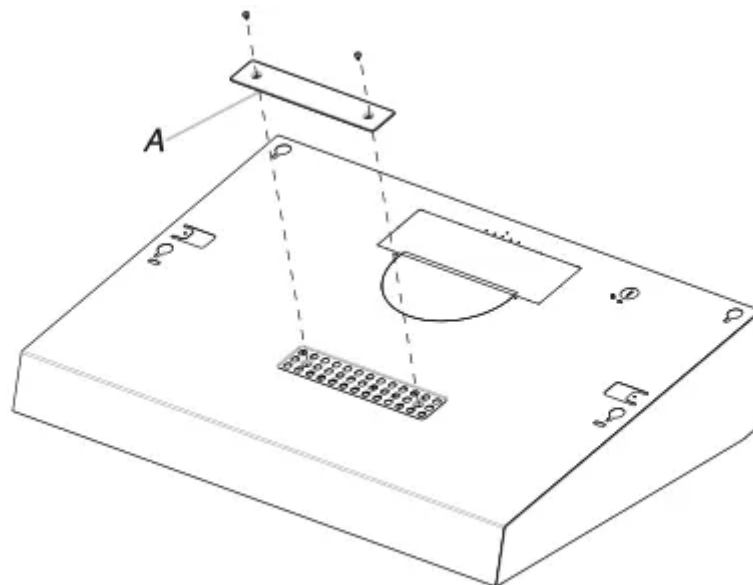
A. Lever on No Vented option

4. Replace the venting method screw on the No Vented (recirculating) option.



A. No Vented method screw

5. Remove the non-vented (recirculating) vent cover.



A. Non-vented (recirculating) vent cover

6. Bend spring clips away from metal grease filter.

7. Place charcoal filter into top side of metal filter.



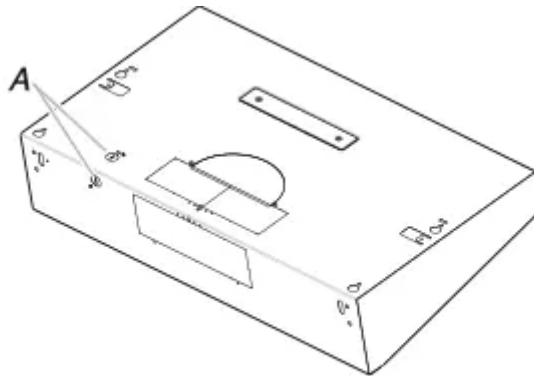
8. Bend spring clips back into place to secure the charcoal filter to the metal filter.



9. Replace metal grease filter.

## Install Range Hood

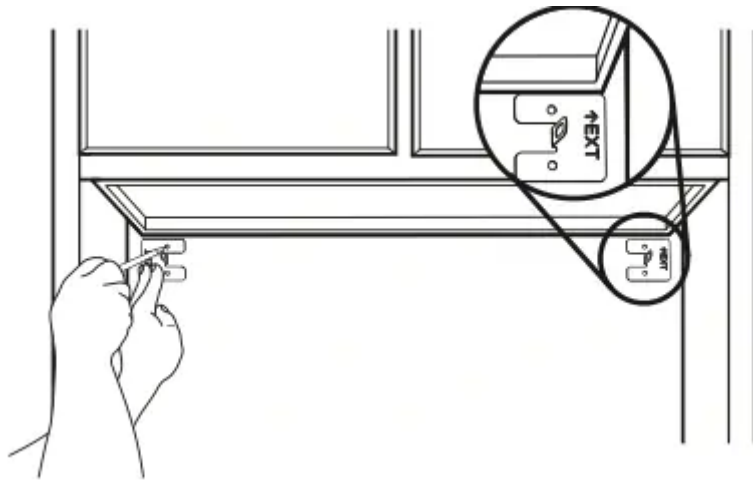
1. Remove the power supply knockout from the top or rear of the vent hood (depending on the incoming location of your home power supply cable) and install a UL Listed or CSA Approved  $\frac{1}{2}$  " strain relief.



A. Power supply knockout

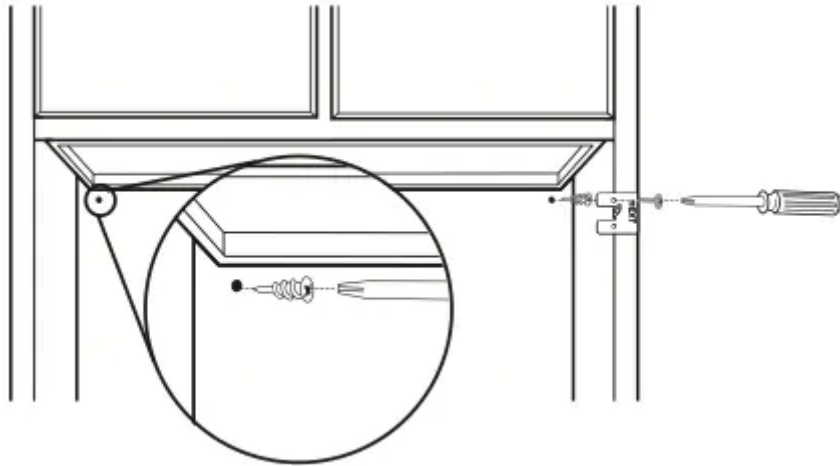
2. Align the exterior edge of the mounting brackets with the exterior edges of the upper cabinet.

**IMPORTANT:** The brackets should touch the upper cabinet. With a pencil, mark the upper holes on the brackets.

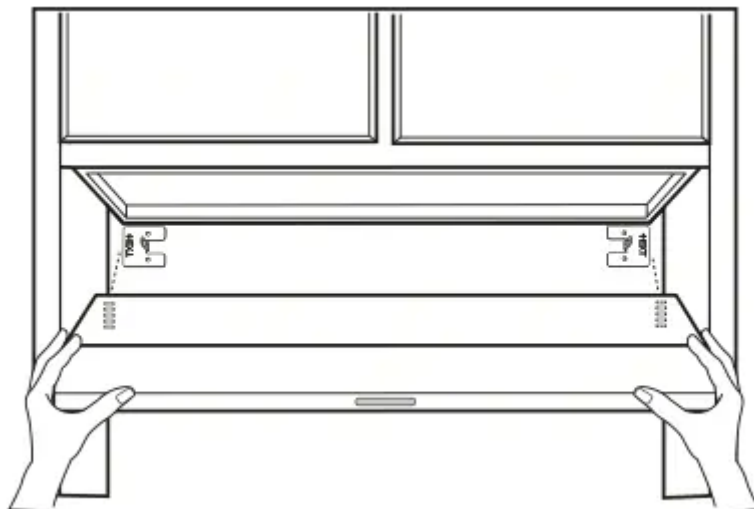


3. Using a #2 Phillips screwdriver, install the drywall anchors. Using #8-18 x 1" (4.2 x 25 mm) flat-head #2 Phillips screws, install the mounting brackets using the upper holes.

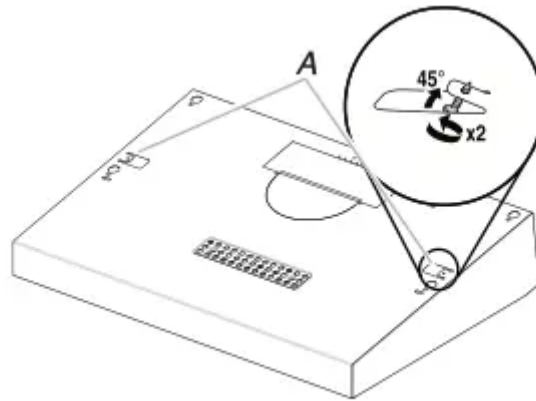
**NOTE:** For installation to a surface other than drywall, it is recommended that a qualified contractor determine the anchoring method.



4. Lift the range hood into place and insert the mounting bracket tabs through the slots in the back of the range hood.



5. From the inside of the range hood, start a #8-18 x5/8 " (4.2 x 16 mm) truss-head screw into the mounting tab (A) on each side of the range hood as shown in the following inset. Insert the screws approximately 2 turns into the mounting tab holes. Bend each mounting tab upward approximately 45°.



*A. Mounting tab*

6. Lift the range hood into place, positioning the rear slots over the mounting brackets.

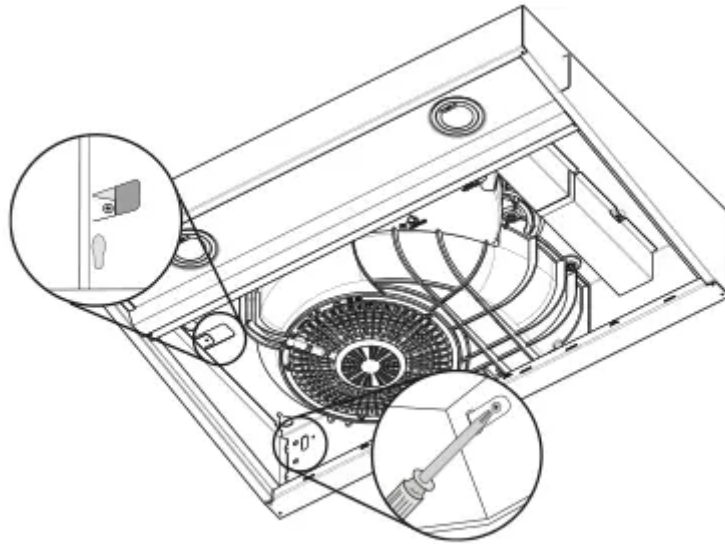
7. Using a Phillips screwdriver, push on the screws that are started into the top mounting tabs and bend the tabs against the cabinet side walls. Attach the screws to the cabinet side walls.

8. For direct wire installations, run the home power supply cable according to the National Electric Code or CSA standards and local codes and ordinances. There must be enough wiring from the fused disconnect (or circuit breaker) box to make the connection in the range hood electrical terminal box.

9. Tighten the strain relief screws.

**NOTE:** Do not reconnect power until the installation is complete.

**OPTIONAL:** If you prefer, bend the rear tabs against the rear of the range hood and attach to the wall using #8-18 x5/8" (4.2 x 16 mm) truss-head screws.



### **Connect Vent System**

Connect the ventwork to the range hood. Seal joints with vent clamps or duct tape to make secure and airtight. Check that the backdraft dampers work properly.

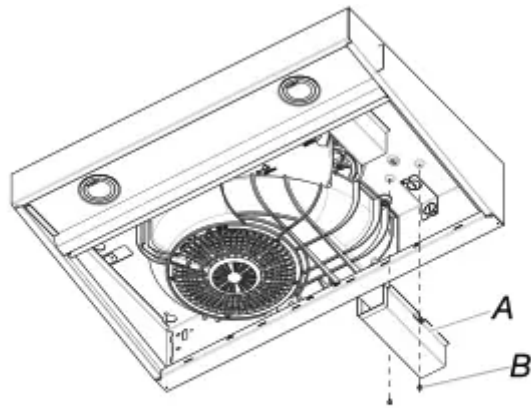
### **Power Supply Cable Installation**

1. For direct wire installations, run the home power supply cable according to the National Electric Code or CSA standards and local codes and ordinances. There must be enough wiring from the fused disconnect (or circuit breaker) box to make the connection in the hood electrical terminal box.

For optional power supply cord kit (see the “Accessories” section), follow the instructions in the “Make Electrical Connections” section.

#### **NOTES:**

- Use only with range hood cord connection kits that have been investigated and found acceptable for use with this model range hood.
  - Do not reconnect power until the installation is complete.
2. Remove the screw from the terminal box cover. Remove terminal box cover and set aside.



A. Terminal box cover  
B. Screw

## Make Electrical Connection

### Option 1 - Direct Wire Installations

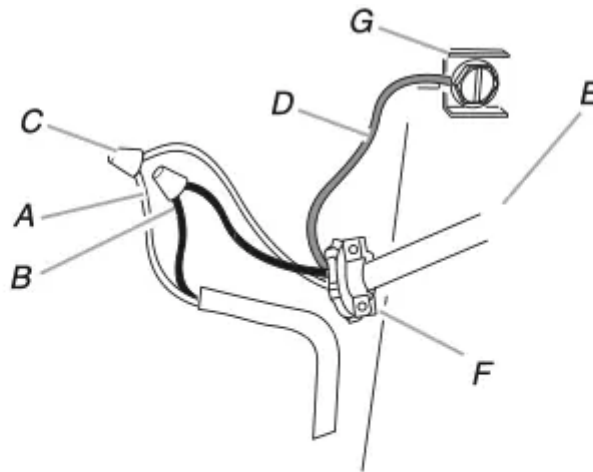
#### WARNING

**Electrical Shock Hazard** Disconnect power before servicing.

Replace all parts and panels before operating.

Failure to do so can result in death or electrical shock.

1. Disconnect power.



A. White wires  
B. Black wires  
C. UL Listed wire connector  
D. Green (or bare) ground wire

E. Home power supply cable or power cord accessory kit  
F. UL Listed or CSA Approved 1/2" strain relief  
G. Green ground screw

2. Use UL Listed wire connectors and connect white wires (A) together.

3. Use UL Listed wire connectors and connect black wires (B) together.

#### WARNING

**Fire Hazard** Electrically ground the blower.

Use copper wire.

Connect ground wire to green ground screw in terminal box.

Failure to do so can result in death, fire, or electrical shock.

4. Connect green (or bare) ground wire from power supply to green ground screw in terminal box and securely tighten.
5. Install terminal box cover.
6. Reconnect power.

### **Option 2 - Power Cord Kit Installations**

For optional power cord kit installations, follow the instructions supplied with the power cord kit. See the “Accessories” section for information on ordering.

**NOTE:** Use only with range hood cord connection kits that have been investigated and found acceptable for use with this model range hood.

### **Complete Installation**

1. Replace grease filter if removed. See the “Range Hood Care” section.
2. Check the operation of the range hood fan and light. See the “Range Hood Use” section.

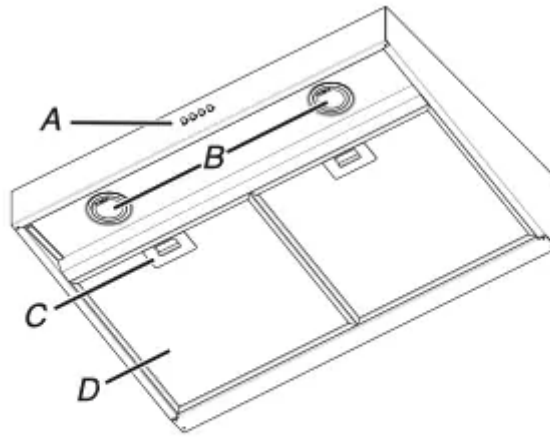
If range hood does not operate, check to see whether a circuit breaker has tripped or a household fuse has blown. Disconnect power and check wiring connections.

**NOTE:** To get the most efficient use from your new range hood, read the “Range Hood Use” section.

## **RANGE HOOD USE**

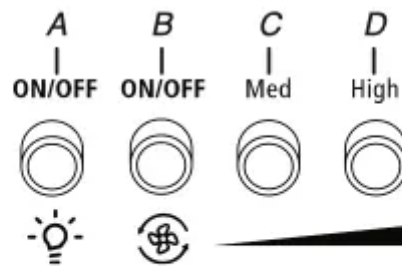
The range hood is designed to remove smoke, cooking vapors, and odors from the cooktop area. For best results, start the hood before cooking and allow it to operate several minutes after the cooking is complete to clear all smoke and odors from the kitchen.

The hood controls are located on the front panel of the range hood.



- A. Blower and light touch control
- B. LED lamps
- C. Filter retainer
- D. Grease filter

## Range Hood Controls



- A. Light On/Off button
- B. Blower On/Off and minimum speed button
- C. Blower medium speed button
- D. Blower maximum speed button

### Operating the light

The Light On/Off button controls both lights. Press once for ON and again for OFF.

### Operating the blower

The blower buttons turn the blower on/off and control the blower speed and sound level for quiet operation. The speed can be changed anytime during fan operation by pressing the desired blower speed button.

Press the blower On/Off button a second time to turn the blower off.

# RANGE HOOD CARE

## Cleaning

**IMPORTANT:** Clean the hood and grease filters frequently according to the following instructions. Replace grease filter before operating hood.

### Exterior Surfaces

**IMPORTANT:** Do not use soap-filled scouring pads, abrasive cleaners, cooktop polishing creme, steel wool, gritty washcloths or paper towels.

To avoid damage to the stainless steel, do not use cleaners that contain chlorine.

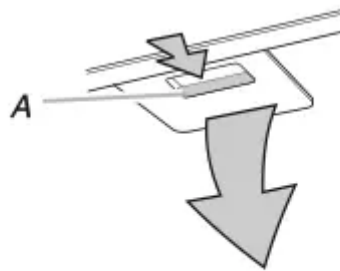
### Cleaning Method:

- Rub in direction of grain to avoid scratching or damaging the surface.
- For stainless steel models, Stainless Steel Cleaner and Polish Part Number 31462A (not included): See the “Assistance or Service” section to order.
- Liquid detergent or all-purpose cleaner: Rinse with clean water and dry with soft, lint-free cloth.
- Glass cleaner to remove fingerprints.

### Metal Grease Filter

For vented installations:

1. Remove each filter by pulling the spring-release handle and then pulling down the filter.



*A. Spring-release handle*

2. Wash metal filter as needed in dishwasher or hot detergent solution.
3. Reinstall the filter by making sure the spring-release handles are toward the front. Insert aluminum filter into upper track.
4. Push in spring-release handle.
5. Push up on metal filter and release handle to latch into place.
6. Repeat steps 1-5 for the other filter.

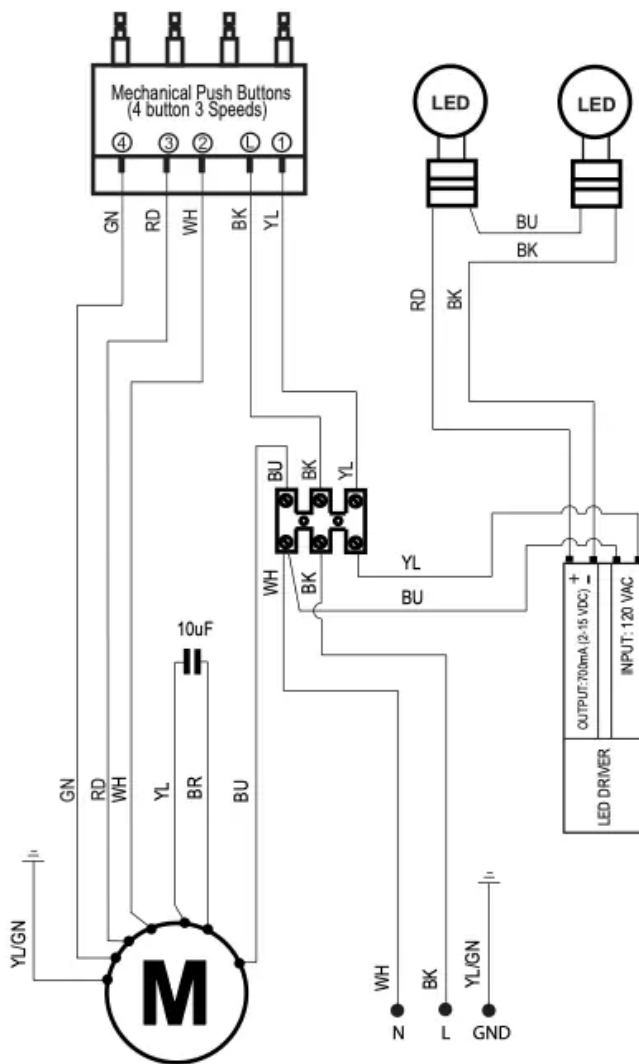
**For non-vented (recirculating) installations:**

The charcoal filter is not washable. It should last up to 6 months with normal use. Replace with Charcoal Filter Kit. See the “Assistance or Service” section for information on ordering.

**Replacing an LED Lamp**

The LED lights are replaceable by a service technician only. See the “Warranty” section for service contact information.

**WIRING DIAGRAM**



PUSH BUTTON SWITCH OPERATION	
FUNCTION	POSITION
OFF	NO CONNECTION
LAMPS	BLACK / YELLOW (L-1)
LOW SPEED	BLACK / WHITE (L-2)
MED SPEED	BLACK / RED (L-3)
HIGH SPEED	BLACK / GREY (L-4)

MOTOR SPECIFICATIONS	
POWER SUPPLY	120 VAC
FREQUENCY	60 HZ
POWER ABSORPTION	180W
MOTOR RESISTANCE (Ω)	
BLUE / GREY	31
BLUE / RED	44
BLUE / WHITE	54.5

**SEL0120629**

**Warning**



This content is compiled from multiple sources and is provided for reference purposes only. It may not be complete or fully applicable to all situations. If you are unable to resolve your issue, please contact the product manufacturer or an authorized service provider for official support.

---

Document generated by [ManualsFile](#)

