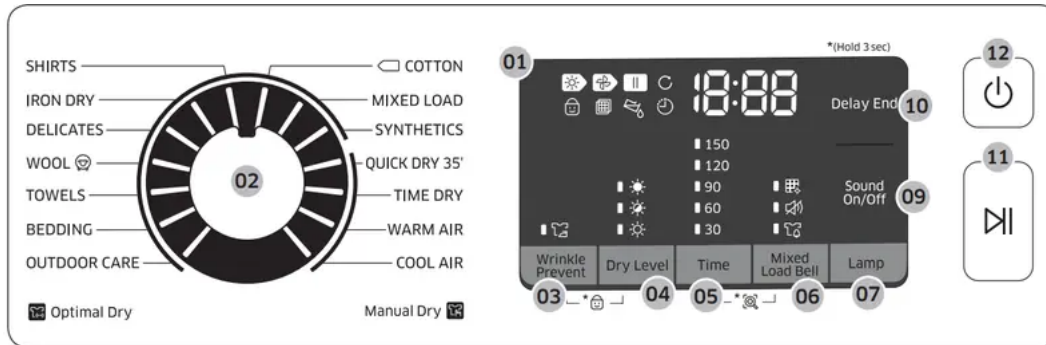


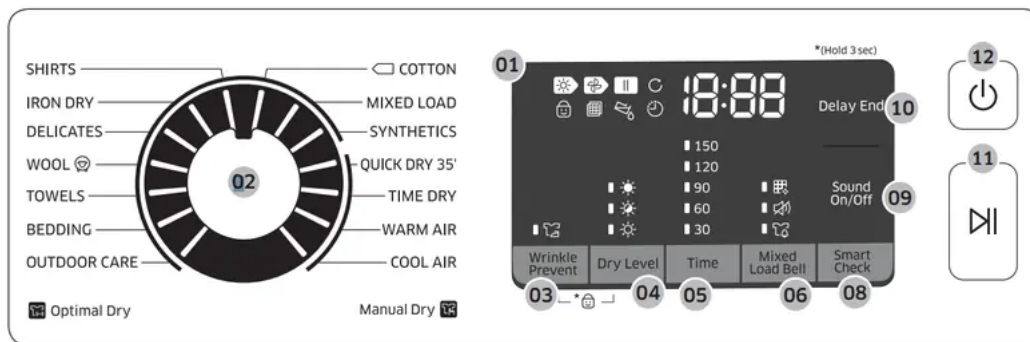
Operations

Control panel

DV9*M5*****/DV8*M5****





DV7*M5****





01 Digital Graphic Display	Displays all cycle information, including cycle time, information codes, and dryer status. See the table below for status details.			
		Drying in progress		Child Lock activated/deactivated
		Cooling in progress		Wrinkle Prevent
		Stop		Heat-exchanger clean alarm
		Wrinkle Prevent in progress		Sound on/off
		Check filter		Mixed Load Bell
		Delay End		Smart Check
		Empty the water tank		
02 Cycle Selector	Turn the dial to select a cycle. See the Cycle overview on page 33 for available cycles.			

03 Wrinkle Prevent	Adds approximately 2 hours of intermittent tumbling at the end of the selected cycle to reduce wrinkles. A large circle appears in display panel, and the drum rotates intermittently. To activate, press Wrinkle Prevent . The corresponding indicator lights up.
04 Dry Level	Press to select the dryness level in the SHIRTS, TOWELS, COTTON, MIXED LOAD , and SYNTHETICS cycles. The dryness can be set in three levels (1-3). Level 1 is used to partially dry items that lay flat or hang to dry. Level 3 is the strongest and is used to dry larger or bulk loads.
05 Time	Press to adjust the cycle time for TIME DRY, WARM AIR , and COOL AIR cycles. The following time options (unit: minute) are available: 30, 60, 90, 120, and 150. <ul style="list-style-type: none"> • 120 minutes and 150 minutes are not available for WARM AIR and COOL AIR cycles. • The exact drying time differs depending on the humidity of the load.
06 Mixed Load Bell	This alarm is available only with SHIRTS, COTTON, MIXED LOAD , and SYNTHETICS cycle. If a load contains mixed fabrics, the Mixed Load Bell indicator (🔔) blinks when the average dryness of the item is 80 % dry. This lets you take items that you don't want fully dried or that dry quickly out of the dryer early while letting others continue to dry.
07 Lamp (DV9*M5*****/ DV8*M5*****)	Press to turn on or off the interior lamp. The lamp stays lit for 5 minutes after it has turned on, and then turns off automatically.
08 Smart Check (DV7*M5*****)	If the dryer has detected an issue, Smart Check allows you to check the status of the dryer using a smart phone.
09 Sound On/Off	Press to mute/unmute the sound of the control panel. The sound setting is retained when you turn the dryer off and turn it on again.
10 Delay End	You can adjust the finish time of the selected cycle in 1-hour increments all the way up to 24 hours.
11 Start/Pause	Press to start or pause a cycle. If the dryer is running, press the button once to pause the dryer. Press again to resume.
12 Power	Press to turn the dryer on/off. If the dryer turns on for 10 minutes without any button being pressed, the dryer automatically turns off.

Cycle overview


Cycle	Description	Max load (kg)
SHIRTS	Use to quickly dry one item such as a shirt	4
IRON DRY	This cycle finishes the drying process in a moist state, which facilitates ironing.	4
DELICATES	For items to be handled with care such as lingerie.	2
WOOL 	For machine washable and tumble dryable wool only. For best results, turn laundry inside out before drying	2
TOWELS	Use to dry loads such as bath towels	6
BEDDING	For bulky items such as blankets, sheets, comforters, and light duvets.	2
OUTDOOR CARE	For outdoor wear such as skiwear and mountain clothing, and also for fabrics such as spandex, stretch, and microfiber. It is recommended to use this cycle after you have washed your laundry using the OUTDOOR CARE cycle with your washing machine.	2
COOL AIR	All types of fabric. For freshening up or airing items of laundry that have not been worn for long.	
WARM AIR	For small, pre-dried items. The dry time defaults to 30 minutes Timed cycle for all types of fabric except for wool and silk. Dry laundry that is still slightly damp or has already been pre-dried. Also suitable for the subsequent drying of multi-layered, thick laundry that does not dry readily.  NOTE: This cycle is suitable for drying individual woollen fabrics, sports shoes and soft toys. Only dry these using the basket for woollens.	
TIME DRY	Use to set a desired dry time	


	<p>1. Turn the Cycle Selector to select TIME DRY.</p> <p>2. Press Time to set the drying time between 30 minutes and 150 minutes. Keep pressing Time cycles through the available time options in 30-minute increments.</p> <p> NOTE</p> <p>The actual cycle time may differ depending on the dryness of items.</p>	
QUICK DRY 35'	For drying light cotton synthetics or items that needs quick drying. The default dry time is 35 minutes.	1
SYNTHETICS	For lightly soiled blouses, and shirts that are made of polyester (Diolen, Trevira), polyamide (Perlon, nylon), or other similar blends.	4
MIXED LOAD	For mixed loads consisting of cotton and synthetic fabrics	Max
 COTTON	For lightly cottons, bed linen, table linen, underwear, towels, and shirts.	Max


Cycle chart

NOTE

For best results, follow the load size recommendations for each dry cycle

- 

Large load: Fill the drum to about $\frac{3}{4}$ full. Do not add items over this level as they need to tumble freely.
- 

Medium load : Fill the drum to about $\frac{1}{2}$ full.
- 

Small load : Fill the drum with 3-5 items, not more than $\frac{1}{4}$ full.

Cycle	Recommended items	Load size	Dry Level
SHIRTS	Non-iron shirts or blouses made of cotton, linen, synthetic fibres or blended fabrics.	4 	Available
IRON DRY	This cycle finishes the drying process in a moist state, which facilitates ironing.	4 	Unavailable
DELICATES	Silk, fine fabrics and lingerie.	2 	Unavailable
WOOL	For machine washable and tumble dryable wool only.	2 	Unavailable
TOWELS	Use to dry loads such as bath towels.	6 	Available
BEDDING	For bulky items such as blankets, sheets, comforters, and light duvets.	2 	Unavailable
OUTDOOR CARE	For outdoor wear such as skiwear and mountain clothing, and also for fabrics such as spandex, stretch, and microfiber.	2 	Unavailable
COOL AIR	All types of fabric. For freshening up or airing items of laundry that have not been worn for long.	-	Unavailable
WARM AIR	Small Items & damp clothing Everyday items suitable for heat drying	-	Unavailable
TIME DRY	All types of fabric; time programme.	-	Unavailable
QUICK DRY 35'	Synthetics and light cottons	1 	Unavailable
SYNTHETICS	Synthetic or blended fabrics.	4 	Available
MIXED LOAD	Mixed load consisting of cotton and synthetic fabrics	7, 8, 9 	Available
COTTON	For lightly cottons, bed linen, table linen, underwear, towels, and shirts.	7, 8, 9 	Available

Getting started

Simple steps to start

1. Press Power to turn the dryer on.
2. Load the dryer and close the door.
3. Turn the Cycle Selector to select a cycle.
4. Change the cycle settings (Dry Level, and Time) as necessary.
5. Select necessary settings and options to your preference. (Wrinkle Prevent, Lamp, Mixed Load Bell, and/or Delay End).
6. Press Start/Pause. The dryer indicator lights up, and the estimated cycle time appears on the display.

NOTE

The number of available settings and options differs with the cycle.

To change the cycle during operation

1. Press Start/Pause to stop operation.

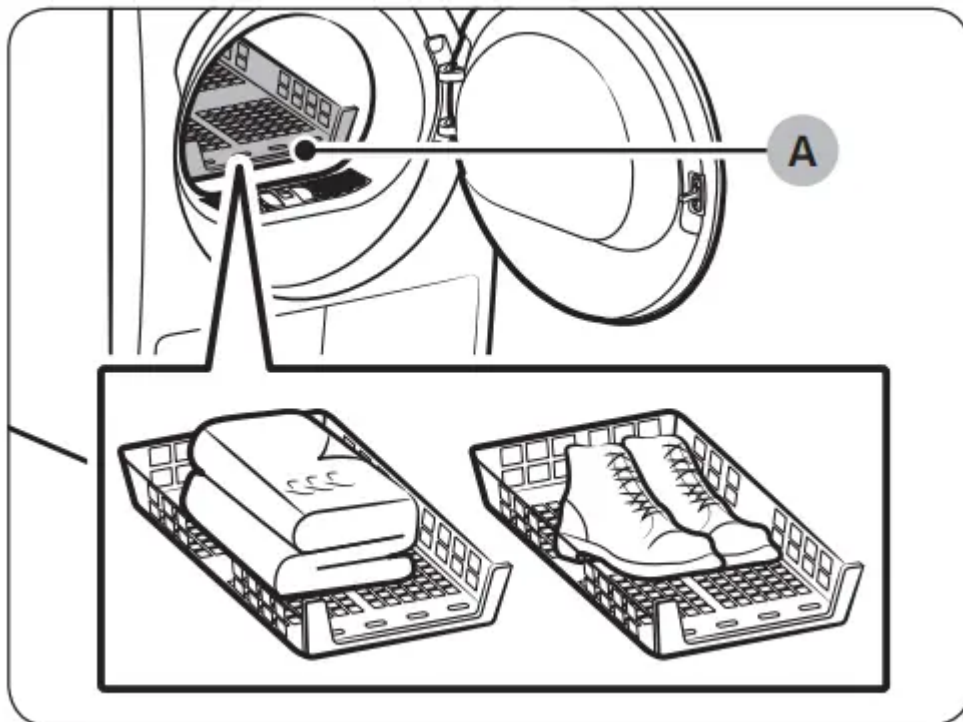
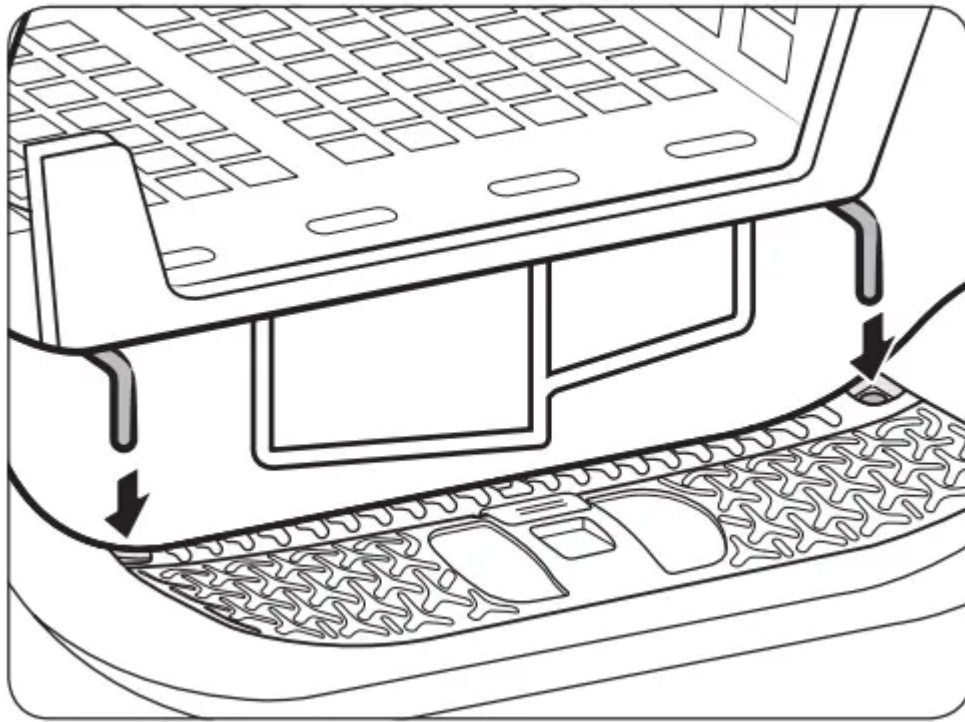
2. Select a different cycle.
3. Press and hold Start/Pause to start new cycle

Sorting and loading

- Put only one wash load in the dryer at a time.
- Avoid mixing heavy and lightweight items together.
- To increase drying efficiency when drying one or two items, add a dry towel to the load.
- For best results, untangle items before inserting into the dryer.
- Overloading restricts the tumbling process, resulting in uneven drying and wrinkling.
- Unless recommended on the care label, avoid drying woolens or fiberglass items.
- Avoid drying unwashed items.
- Do not dry items soiled with oil, alcohol, gasoline, etc.

Rack Dry (applicable models only) Set the drying time up to 150 minutes according to the moisture and weight of the items to dry. When drying laundry using the drying rack, the TIME DRY cycle is recommended.

1. Position the drying rack in the drum, inserting the front lips of the rack into the holes of the door diaphragm.
2. Place items on the rack, leaving enough space where air can circulate. For clothing items, fold and place flat on the rack. For shoes, place shoes with their soles facing down.
3. Close the door and press Power. Select TIME DRY, and then press Time to select the drying time.
4. Press Start/Pause.



A. Rack dry
Drying suggestions

Items (max 1.5 kg)	Description
Washable sweaters (block to shape and lay flat on rack)	When drying the laundry using the rack, fold and place the clothes on the rack to prevent the clothing from becoming wrinkled.
Stuffed toys (cotton or polyester fiber filled)	
Stuffed toys (foam or rubber-filled)	
Foam rubber pillows	
Sneakers	To dry sports shoes, place the shoes on the rack so that the soles of the shoes are facing downwards.

CAUTION

- Drying foam rubber, plastic, or rubber on a heat setting may cause damage to the items and lead to a fire hazard.
- To prevent damage to shoes, use Dry Rack.

Cycle guide

Always follow the care label when drying. If care label instructions are not available, refer to the following table.



Bedspreads and comforters	Use the High temperature settings.
Blankets	For best results, dry only one blanket at a time
Cloth diapers	Use the High temperature settings.
Down-filled items	Do not dry on a heat setting. Doing so may cause a fire hazard. Only use the COOL AIR cycle.
Foam rubber (rug backs, stuffed toys, etc.)	Do not dry on a heat setting. Doing so may cause a fire hazard. Only use the COOL AIR cycle.
Pillows	Add a few dry towels to help tumble and fluff items. • Do not dry kapok or foam pillows with heat. Use only the COOL AIR cycle
Plastics (shower curtains, outdoor furniture covers, etc.)	Use COOL AIR or TIME DRY. Set the dry level to lower or the lowest.

CAUTION

Do not use the dryer to dry items that are not listed above

Delay End

You can set the dryer to complete a selected cycle at your set time.

1. Select a cycle with necessary options.
2. Press Delay End repeatedly to set a time between 1 hours and 24 hours in 1-hour increments.
3. Press Start/Pause. The corresponding indicator blinks, and the clock begins counting down to the set time.

NOTE

To cancel the Delay End settings, restart the dryer using the Power button.

Child Lock

Child Lock prevents children from playing with the dryer. When Child Lock is activated, all buttons except for the Power button are disabled.

To activate/deactivate Child Lock, simultaneously press and hold Mixed Load Bell and Smart Control or Wrinkle Prevent and Dry Level for 3 seconds.

NOTE

If Child Lock is activated, and the dryer is turned off and then on again, Child Lock remains activated.

Smart Check

If the dryer has detected an issue, Smart Check allows you to check the status of the dryer using a smartphone. Please note that Smart Check can only be used for Galaxy and iPhone series smartphones.

To use Smart Check, make sure you have downloaded the Samsung Smart Washer/ Dryer app, and then follow the steps below

1. Press and hold Time and Mixed Load Bell for 3 seconds or press Smart Check. The LED's on the display panel rotate, and the Smart Check code is displayed.
2. On the smartphone, open the Samsung Smart Washer/Dryer app and tap the Smart Check button.
3. Focus the smartphone's camera on the Smart Check code shown on the display panel.
4. If the information code is recognized, the app provides detailed information for the issue and further instructions.

NOTE

- If the dryer reflects light on the display, the smartphone may fail to recognize the information code. I
- f the smartphone fails to recognize the code, manually enter the information code into the smartphone.

Maintenance

WARNING

- Do not clean the dryer by directly spraying water onto the dryer.
- Do not clean the dryer with benzene, thinner, alcohol, or acetone. This may cause discoloration, deformation, damage, electric shock, or fire.
- Before cleaning the dryer, be sure to unplug the power cord.

Control panel

Clean with a soft, damp cloth. Do not use abrasive cleaners. Do not spray cleaners directly on the panel. Immediately wipe up any spills or liquids from the control panel.

Exterior

Clean with a soft, damp cloth. Do not use abrasive cleaners. Avoid using or placing sharp or heavy objects near/on the dryer. Keep detergent and laundry supplies on the pedestal (sold separately) or in a separate storage container.

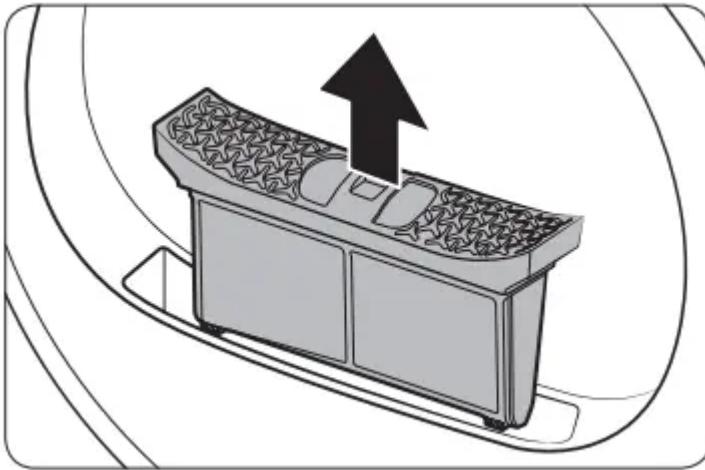
Drum

Clean with a damp cloth with a mild, non-abrasive cleaner suitable for stainless steel. Wipe remaining residue with a clean, dry cloth.

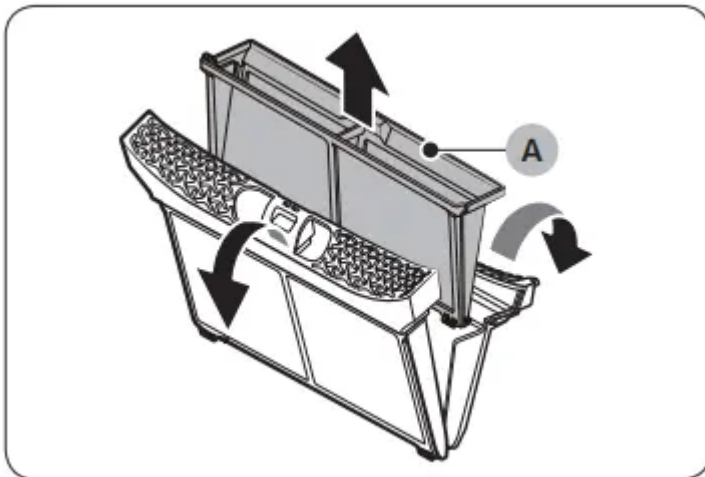
Lint filter

Clean the lint filter after each load

1. Open the door and pull the lint filter upward to remove.

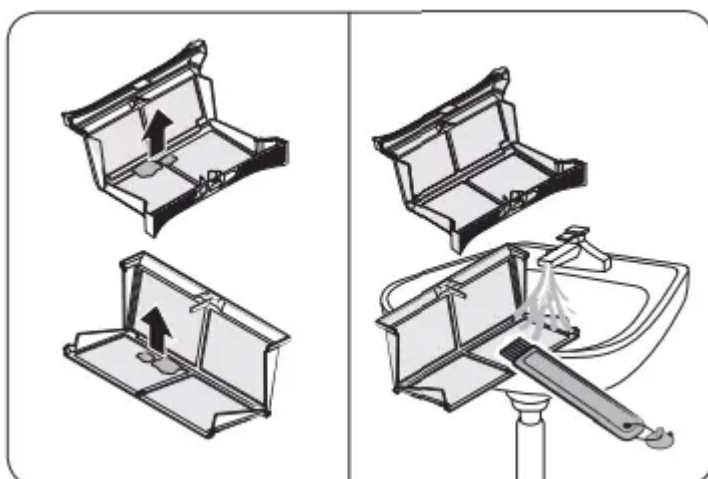


2. Open the outer filter and remove the inner filter (A).



3. Unfold both the inner filter and the outer filter.

4. Remove the lint from both filters, and then clean the filters with the cleaning brush



NOTE

To clean the filters thoroughly, clean the filters in running water, and then dry them completely.

5. Put the inner filter into the outer filter, and then reinsert the lint filter into the original position.

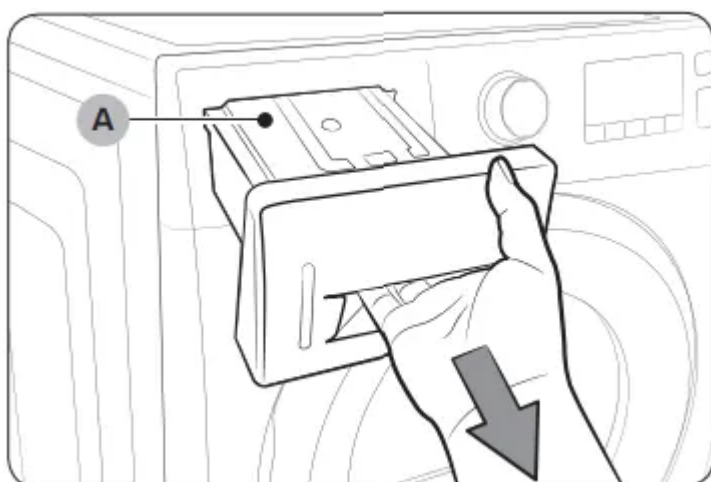
CAUTION

- Clean the lint filter after each load. Otherwise, the drying performance may decrease.
- Do not operate the dryer without the inner filter inside the outer filter.
- Using the dryer with a wet lint filter may cause mold, bad odors, or a decrease in drying performance.

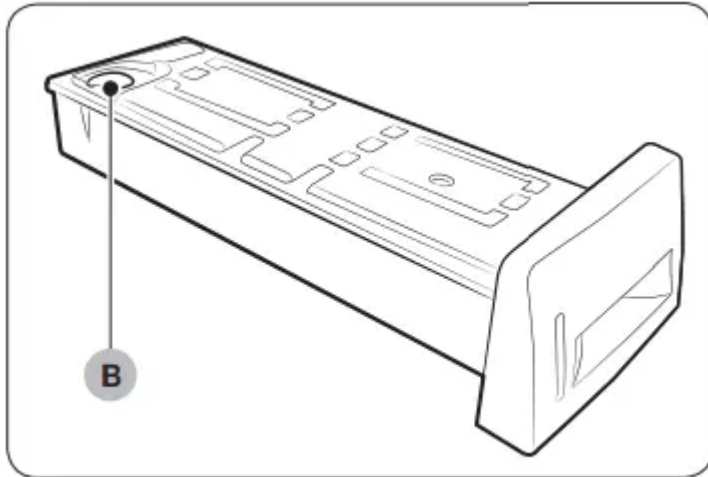
Water tank

To avoid leaks, empty the water tank after every load

1. Using both hands, pull the water tank (A) forward to remove.



2. Empty the water through the drain hole (B) and place the water tank back into place.



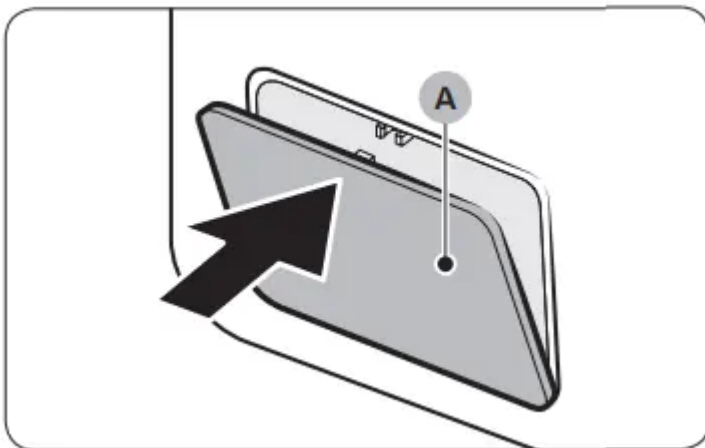
NOTE

If you empty the water tank and press Start/Pause, the corresponding indicator turns off.

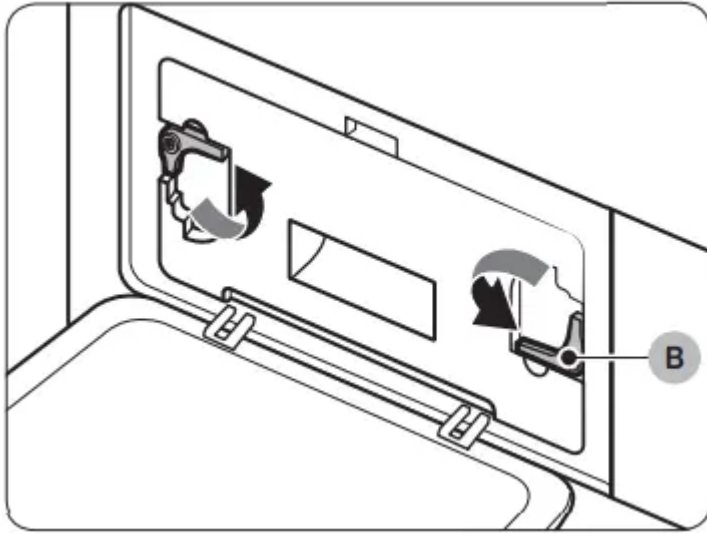
Heat exchanger

Clean the heat exchanger at least once a month. As a reminder, the heat exchanger indicator lights up on the display when the heat exchanger needs to be cleaned.

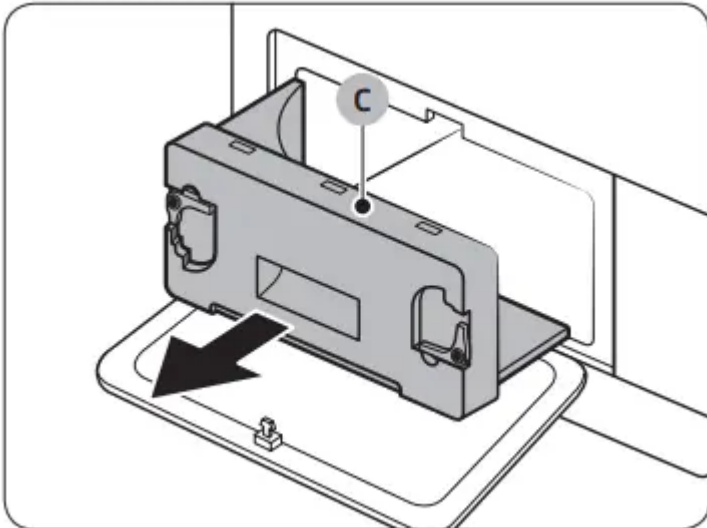
1. Gently press the top part of the outer cover (A) to open.



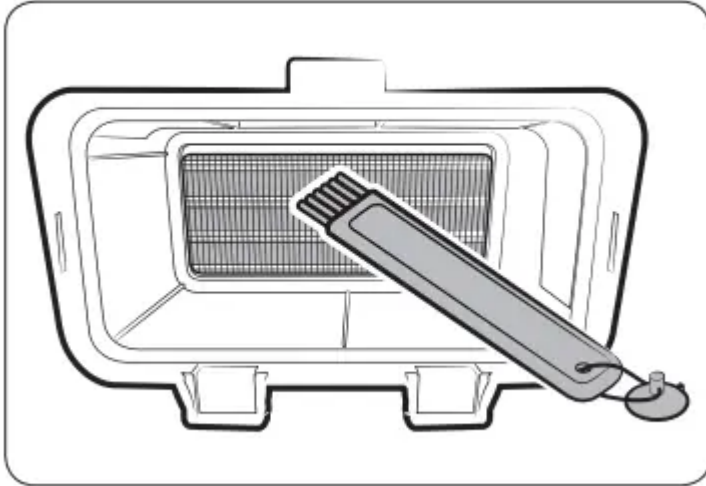
2. Unlock the fixers (B).



3. Remove the inner cover (C).



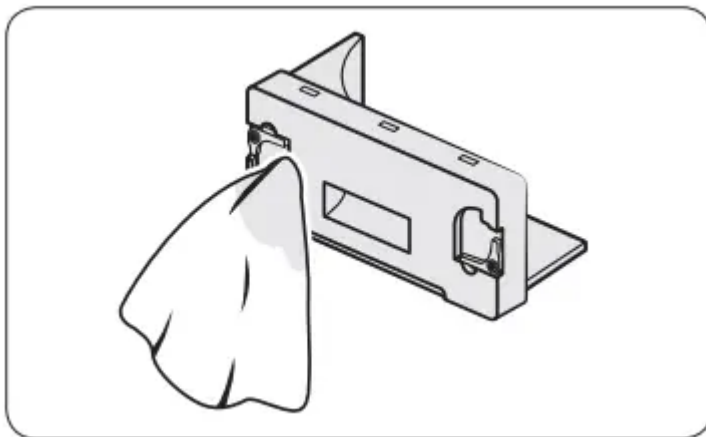
4. Clean the heat exchanger with the provided cleaning brush or a vacuum cleaner with a brush attachment. Take care not to bend or damage the heat exchanger fins when cleaning. This may lead to a decrease in drying performance.



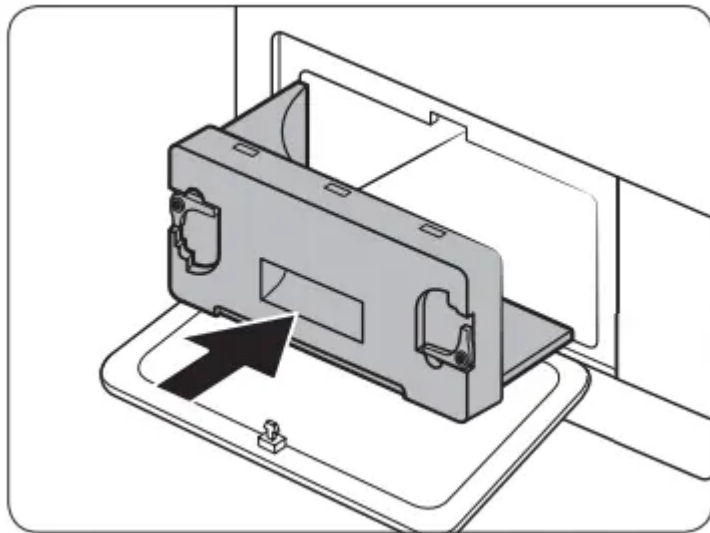
CAUTION

- To avoid physical injury and burns, do not touch or clean the heat exchanger with bare hands.
- Do not use water to clean the heat exchanger.

5. Clean the inner cover with a smooth, damp cloth.



6. Reinsert the inner cover to its original position, and then lock the fixers.



7. . Close the outer cover

NOTE

After cleaning, make sure the fixers are locked.

Troubleshooting



Symptom	Action
Dryer does not run	<p>Make sure the door is completely closed.</p> <p>Make sure the power cord is plugged in.</p> <p>Check the home's circuit breaker and fuses.</p> <p>Empty the water tank.</p> <p>Clean the lint filter.</p>
Dryer does not heat	<p>Check the home's circuit breaker and fuses.</p> <p>Select a heat setting other than COOL AIR.</p> <p>Check the lint filter and heat exchanger filter. Clean them if necessary.</p> <p>Dryer may be in the cool-down phase of the cycle.</p>
Dryer does not dry	<p>Check the above, plus...</p> <p>Make sure the dryer is not overloaded.</p> <p>Sort light and heavy items separately.</p> <p>Reposition large, bulky items to ensure even drying.</p> <p>Check that the dryer is draining properly.</p> <p>For small loads, add a few dry towels.</p> <p>Clean the lint filter and heat exchanger filter.</p>
Dryer is noisy	<p>Check for coins, buttons, lighters, etc.</p> <p>Make sure the dryer is level and standing firmly on the floor.</p> <p>The dryer may hum due to air moving through the drum and fan. This is normal.</p>
Dries unevenly	<p>Seams, pockets, and other parts of clothing are harder to dry than others. This is normal.</p> <p>Sort heavy and light items separately.</p>
Dryer emits an odor	<p>The dryer may draw household odors in from the surrounding air and then exhaust them. This is normal</p>

<p>Dryer turns off before the load is dry</p>	<p>Dryer load is too small. Add more items and restart the cycle.</p> <p>Dryer load is too large. Remove items and restart the cycle.</p>
<p>Lint on clothes</p>	<p>Make sure the lint filter is clean before every load.</p> <p>Dry lint-producing items (fuzzy towels) separate from lint trappers, such as black linen pants.</p> <p>Divide larger loads into smaller loads.</p>
<p>Items still wrinkled after Wrinkle Prevent</p>	<p>Small loads of 1-4 items work best.</p> <p>Load fewer items. Load similar type items.</p>
<p>Odors remain in items after Cool Air</p>	<p>Make sure to thoroughly wash items with strong odors</p>

Information codes

If the dryer fails to operate, you may see an information code on the display. Check the table below and try the suggestions.



Information code	Meaning	Action
tC	Air temperature sensor issue	Clean the lint filter and/or heat exchanger filter. If this continues, call for service.
tC5	Compressor temperature sensor issue	Wait 2-3 minutes. Turn the power on and restart.
dC	Running the dryer with door open	Close the door and restart. If this continues, call for service
9C2	Low voltage detected	Check if the power cord is plugged in. If this continues, call for service.
5C	Water tank full Drain pump is out of order	Empty the water tank, turn the power on, and restart. If this continues, call for service

For any codes not listed above, or if the information code continues to appear, call for service.

Warning

This content is compiled from multiple sources and is provided for reference purposes only. It may not be complete or fully applicable to all situations. If you are unable to resolve your issue, please contact the product manufacturer or an authorized service provider for official support.