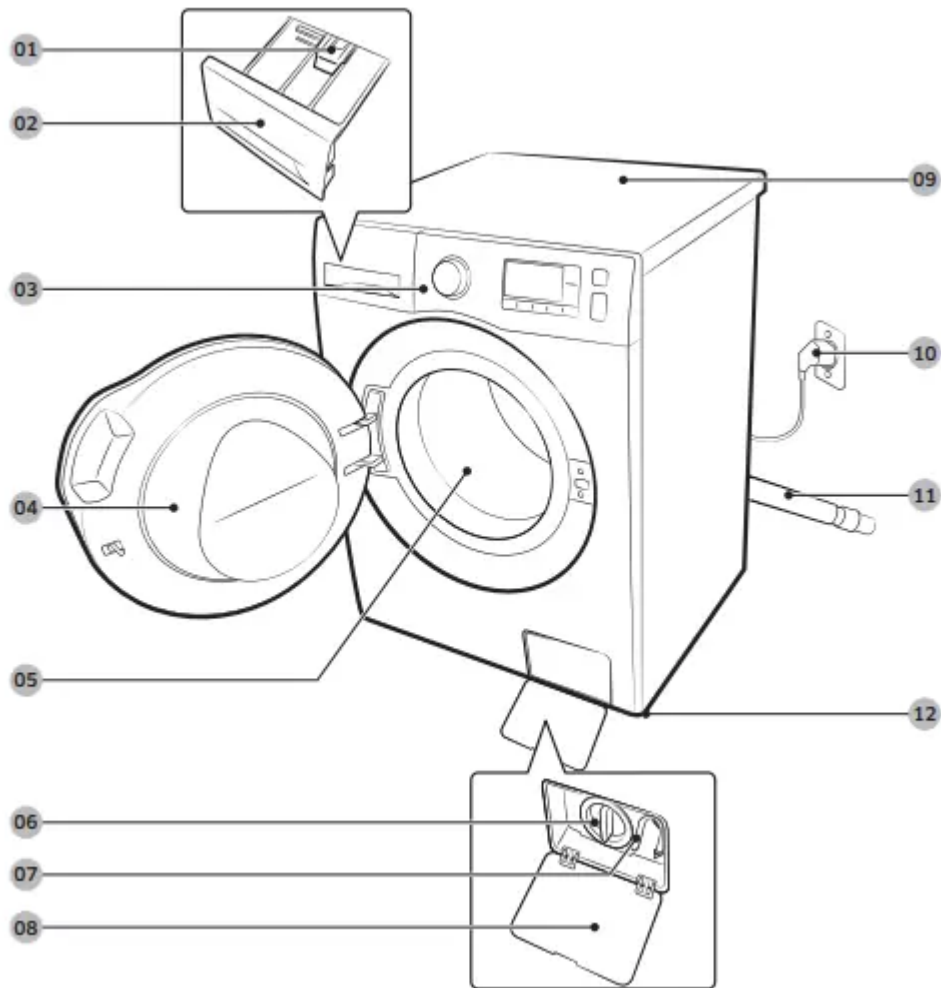


## Installation

### What's included

Make sure all the parts are included in the product package. If you have a problem with the washing machine or the parts, contact a local Samsung customer centre or the retailer.



01 Release lever

02 Detergent drawer

03 Control panel

04 Door

05 Drum

06 Lint filter

07 Emergency drain tube

08 Filter cover 09 Worktop

10 Power plug

11 Drain hose

12 Levelling feet

## Step-by-step installation

### STEP 1 Select a location

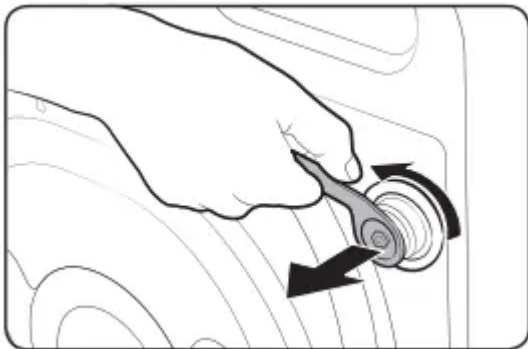
Location requirements:

- Solid, level surface without carpeting or flooring that may obstruct ventilation
- Away from direct sunlight
- Adequate room for ventilation and wiring
- The ambient temperature is always higher than the freezing point (0 °C)
- Away from a heat source

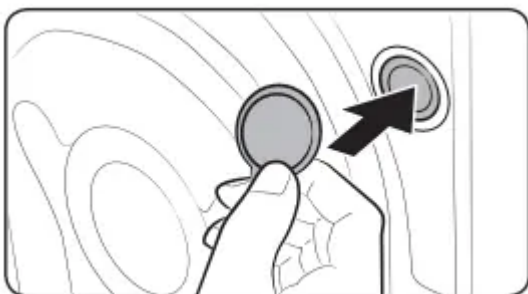
### STEP 2 Remove the shipping bolts

Unpack the product package and remove all shipping bolts.

1. Loosen all shipping bolts on the rear of the machine using the supplied spanner.



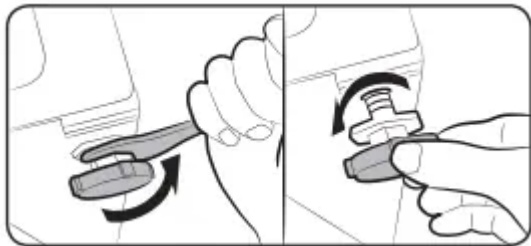
2. Fill the holes with the supplied plastic bolt caps. Keep the shipping bolts for future use.



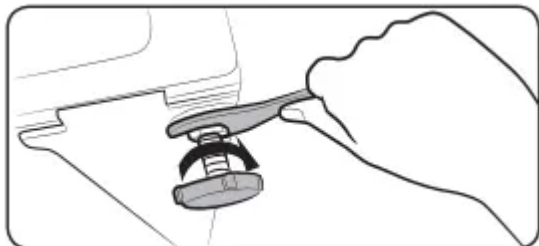
### STEP 3 Adjust the levelling feet

1. Gently slide the washing machine into position. Excessive force may damage the levelling feet.

2. Level the washing machine by manually adjusting the levelling feet.



3. When levelling is complete, tighten the nuts using the spanner.

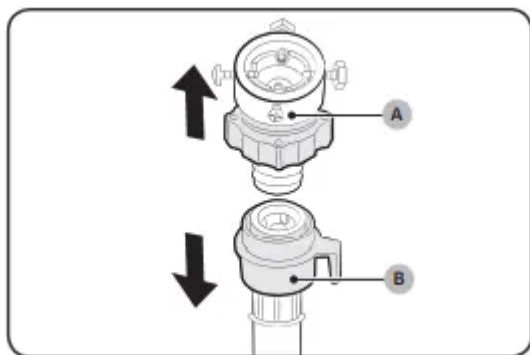


#### STEP 4 Connect the water hose

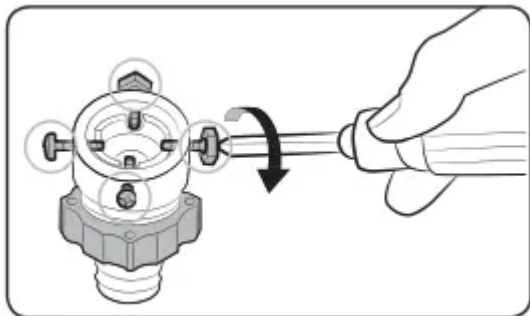
The provided hose adaptor may differ with the model. This step guides you through connecting the connector-type adaptor. If you are provided with the screw-type adaptor, go to 7.

#### Connect the water hose to the water tap.

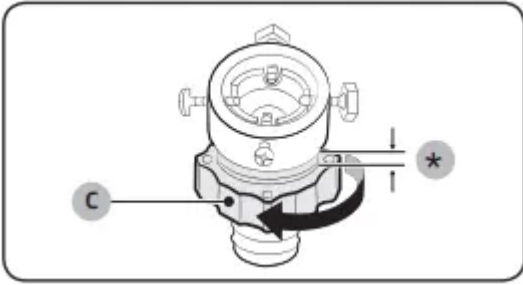
1. Remove the adaptor (A) from the water hose (B).



2. Use a Philips screwdriver to loosen four screws on the adaptor

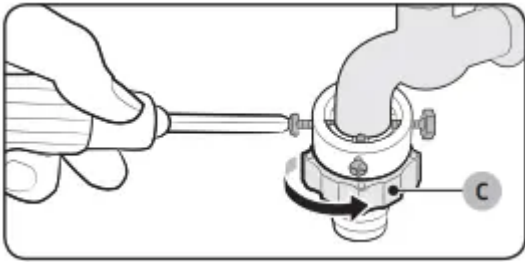


3. Hold the adaptor and turn part (C) in the arrow direction to loosen it by 5 mm (\*).

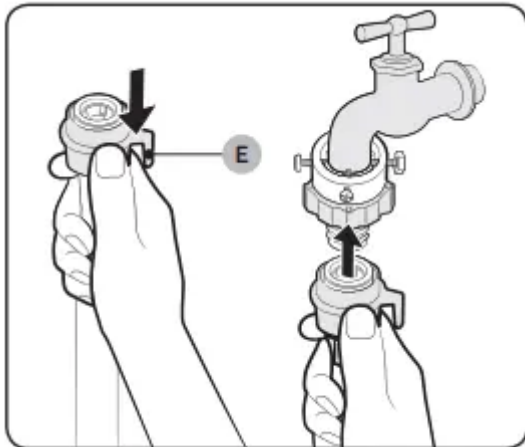


4. Insert the adaptor into the water tap, and tighten the screws while lifting up the adaptor.

5. Turn part (C) in the arrow direction to tighten it.



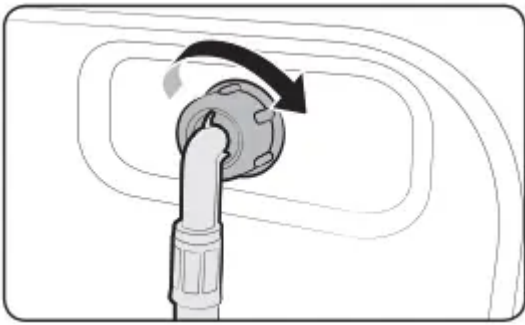
6. While holding down part (E), connect the water hose to the adaptor. Then, release part (E). The hose fits into the adaptor with a clicking sound.



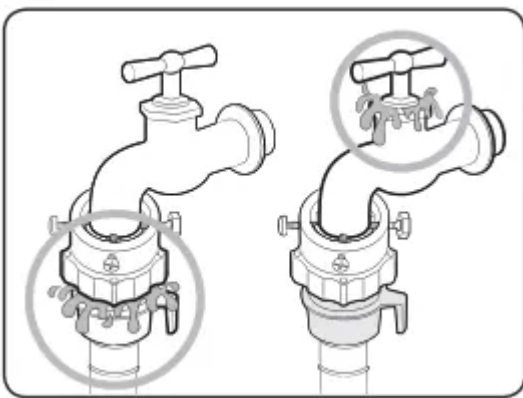
7. If you are using a screw type of water tap, use the provided screw-type adaptor to connect to the water tap as shown.



8. Connect the other end of the water hose to the inlet valve on the back of the washing machine. Turn the hose clockwise to tighten.

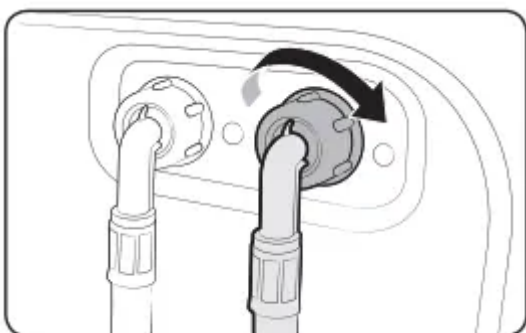


9. Open the water tap and check if there are any leaks around the connection areas. If there are water leaks, repeat the steps above.



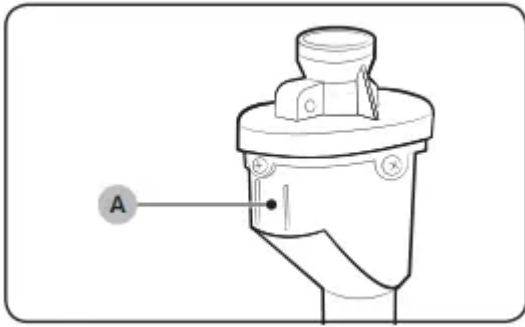
**For models with an additional hot water inlet:**

1. Connect the red end of the hot water hose to the hot water inlet on the back of the machine.
2. Connect the other end of the hot water hose to the hot water tap.



**Aqua hose (applicable models only)**

The aqua hose alerts users of a risk of water leaks. It senses the water flow and turns red on the centre indicator (A) in case of a leak.



### STEP 5 Position the drain hose

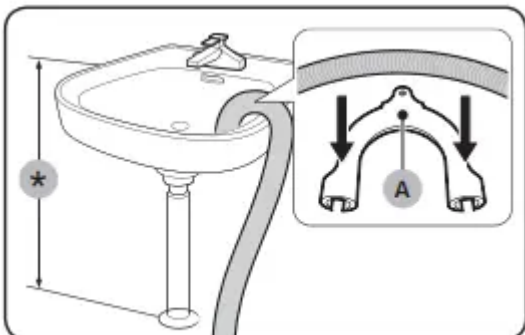
The drain hose can be positioned in three ways:

#### Over the edge of a wash basin

The drain hose must be placed at a height of between 60 cm and 90 cm (\*) from the floor. To keep the spout of the drain hose bent, use the supplied plastic hose guide (A). Secure the guide to the wall using a hook to ensure stable drainage.

#### In a sink drain pipe

The drain pipe must be above the sink siphon so that the end of the hose is at least 60 cm above the floor.

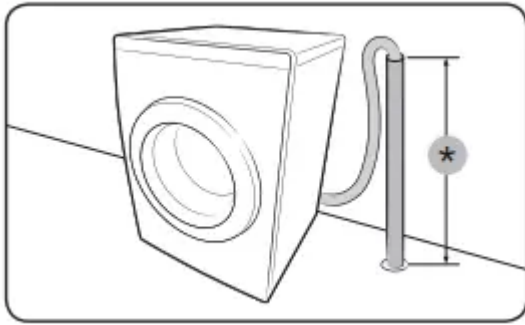


#### In a drain pipe

The drain pipe should be between 60 cm and 90 cm high (\*). It is advisable to use a 65 cm high vertical pipe. Make sure the drain hose is connected to the stand pipe at a slant.

Drain standpipe requirements:

- Minimum diameter of 5 cm
- Minimum carry-away capacity of 60 litres per minute

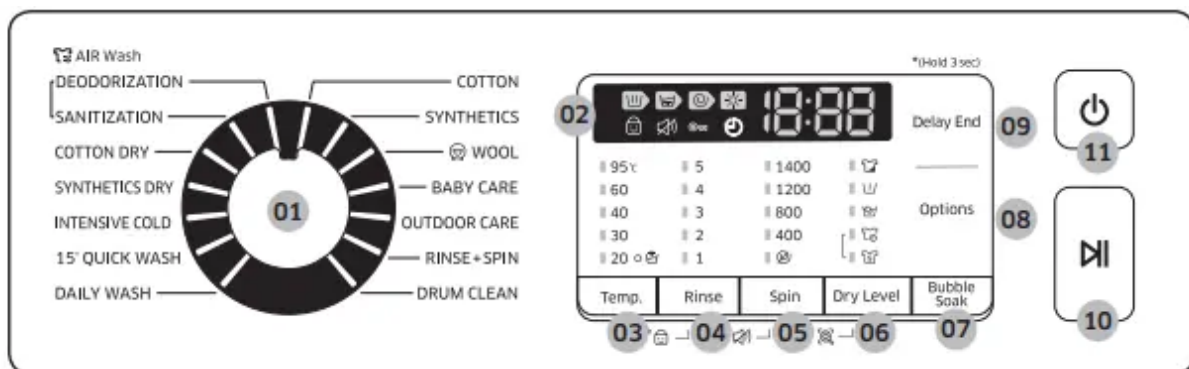


### STEP 6 Turn on the washing machine

Plug the power cord into a wall socket featuring an AC 220-240 V / 50 Hz approved electrical outlet protected by a fuse or circuit breaker. Then, press Power to turn on the washing machine.

## Operations

### Control panel



#### 01 Course Selector

Turn the dial to select a course.

#### 02 Display

The display shows current course information and estimated time remaining, or an information code when a problem occurs.

#### 03 Temp.


Press to change the water temperature for the current course.

#### 04 Rinse

Press to change the rinse count for the current cycle. You can set the rinse count to a max of 5.

#### 05 Spin

Press to change the spinning speed for the current course.

- Rinse Hold (No indicator): The final rinse cycle is suspended so that the laundry remains in the water. To unload the laundry, run a drain or spin cycle.
- No Spin : The drum does not spin after the final drain cycle.

## 06 Dry Level

Press this button to select proper drying option.

## 07 Bubble Soak

Press to activate/deactivate the Bubble Soak function. This function helps remove a wide variety of stubborn stains.

## 08 Options

Press to select an option from Intensive, Prewash, and Intensive+Prewash. Press again to deselect

## 09 Delay End

Delay End lets you set the end time of the current cycle. Based on your settings, the start time of the cycle will be determined by the machine's internal logic. For example, this setting is useful for programming your machine to finish a wash at the time you normally return home from work.

- Press to choose a preset unit of hours.

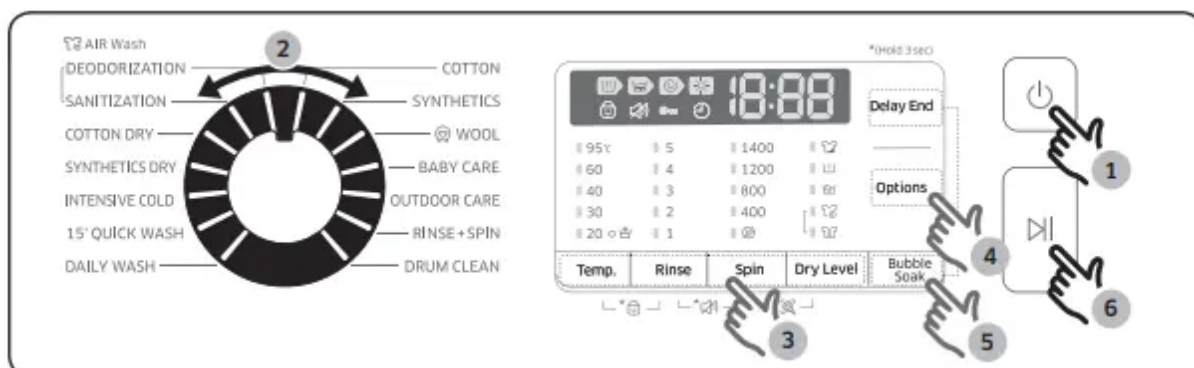
## 10 Start/Pause

Press to start or stop operation.

## 11 Power

Press to turn on/off the washing machine.

## Simple steps to start



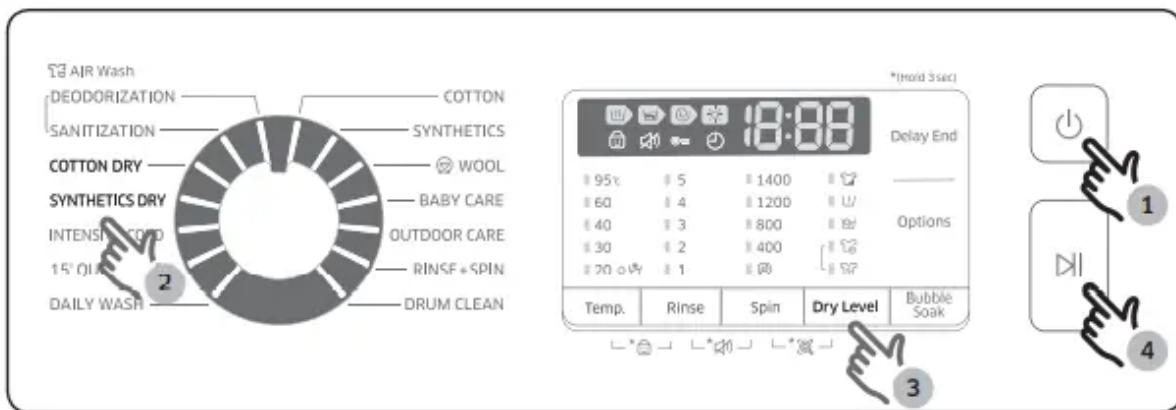
1. Press Power to turn on the washing machine.
2. Turn the Course Selector to select a course.

3. Change the course settings (Temp., Rinse, Spin and Dry Level) as necessary.
4. To add an option, press Options. Use the button again to choose a preferred item.
5. The machine provides two easy to access buttons for Bubble Soak and Delay End for your convenience. If you want to use one of these options, press the corresponding button.
6. Press Start/Pause.

### To change the course during operation

1. Press Start/Pause to stop operation.
2. Select a different course.
3. Press Start/Pause again to start the new course.

### Dry clothes Only



You can dry your clothes directly or dry the washed clothes according to the following procedures.

1. Press Power button to turn on the washing machine.
2. Turn the Course Selector to select the appropriate drying cycle.
3. Press Dry Level button to select the appropriate drying mode.
4. Press Start/Pause button to start dry.



### Course overview



#### Standard courses

Course	Description	Max load (kg)
COTTON	<ul style="list-style-type: none"> <li>For cottons, bed linens, table linens, underwear, towels, or shirts. The washing time and the number of rinse cycles are automatically adjusted according to the load.</li> <li>For WD75J5410AW, Cotton 40°C, Intensive, Rinse 2, 1400rpm spin is recommended for a normally soiled cotton load.</li> </ul> <p>Energy and water labelling test programme in accordance with AS/NZS 2040.</p>	Max
SYNTHETICS	<ul style="list-style-type: none"> <li>For blouses or shirts that are made of polyester (diolen, trevira), polyamide (perlon, nylon), or the like.</li> </ul>	4
WOOL	<ul style="list-style-type: none"> <li>Specific for machine-washable wool for loads less than 2 kg.</li> <li>The wool course features gentle cradling and soaking to protect the wool fibres from shrinkage/distortion.</li> <li>A neutral detergent is recommended.</li> </ul>	2
BABY CARE	<ul style="list-style-type: none"> <li>Featuring a high-temperature wash and extra rinses to ensure that no powder detergent remains.</li> </ul>	4
OUTDOOR CARE	<ul style="list-style-type: none"> <li>For outdoor clothes, skiwear, and sportswear that are made of functional materials such as spandex, stretch, and microfibre.</li> </ul>	2
RINSE+SPIN	<ul style="list-style-type: none"> <li>Featuring an additional rinse after applying fabric softener to the laundry.</li> </ul>	-

Course	Description	Max load (kg)
DRUM CLEAN	<ul style="list-style-type: none"> <li>Cleans the drum by removing dirt and bacteria from the drum.</li> <li>Perform once every 40 washes with no detergent or bleach applied.</li> <li>Make sure the drum is empty.</li> <li>Do not use any cleaning agents for cleaning the drum.</li> </ul>	-
AIR WASH	<ul style="list-style-type: none"> <li>This course is useful for removing bad odors. Turning the Cycle Selector cycles through the following operating modes.(Deodorization &gt; Sanitization)</li> <li><b>DEODORIZATION</b> - Reduces bad smells from the laundry.</li> <li><b>SANITIZATION</b> - Deodorize and sanitize the laundry by stronger AIR Wash action with higher temp.</li> </ul>	-
COTTON DRY	<ul style="list-style-type: none"> <li>For general drying.</li> </ul>	6
SYNTHETICS DRY	<ul style="list-style-type: none"> <li>A low temperature drying cycle for heat-sensitive garments.</li> </ul>	3
INTENSIVE COLD	<ul style="list-style-type: none"> <li>Low-temperature Bubble.</li> </ul>	4
15' QUICK WASH	<ul style="list-style-type: none"> <li>For lightly soiled garments in less than 2 kg that you want to wash quickly.</li> </ul>	2
DAILY WASH	<ul style="list-style-type: none"> <li>For everyday items such as underwear and shirts.</li> </ul>	2

## Options

Option		Description
	Intensive	<ul style="list-style-type: none"> <li>For badly soiled laundry. The operation time for each cycle is longer than normal.</li> </ul>
	Pre Wash	<ul style="list-style-type: none"> <li>This will add a preliminary washing cycle before the main wash cycle.</li> </ul>

Option		Description
	Bubble Soak	<ul style="list-style-type: none"> <li>Bubble Soak helps remove a variety of stubborn stains.</li> <li>With Bubble Soak selected, laundry is thoroughly soaked in water bubbles for effective washing.</li> <li>Bubble Soak is available with and adds up to 20 or 30 minutes to 3 cycles: Cotton, Synthetics, and Baby Care.</li> </ul>
	Delay End	<ul style="list-style-type: none"> <li>The displayed time refers to the end time of a selected course.</li> </ul>

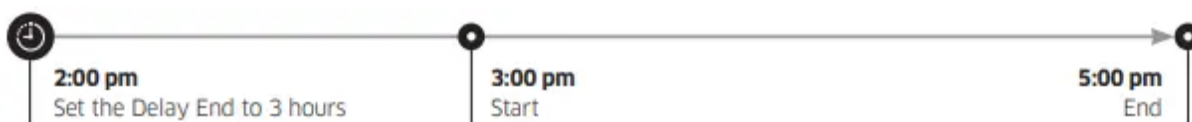
## Delay End

You can set the washing machine to finish your wash automatically at a later time, choosing a delay of between 1 to 19 hours (in 1 hour increments). The hour displayed indicates the time the wash will finish.

1. Select a course. Then change the cycle settings if necessary.
2. Press Delay End repeatedly until a desired end time is set.
3. Press Start/Pause.
4. The corresponding indicator turns on with the clock running.
5. To cancel the Delay End, restart the washing machine by pressing Power.

### Real-life case

You want to finish a two-hour course 3 hours later from now. For this, you add the Delay End option to the current cycle with the 3-hour setting, and press Start/Pause at 2:00 p.m. Then, what happens? The washing machine starts operating at 3:00 p.m., and ends at 5:00 p.m. Provided below is the time line for this example



## Settings

### Child Lock

To prevent accidents involving children, the Child Lock function locks all buttons.

However, Child Lock does not activate until you press Start/Pause.

In the holding state, you can open the door or change settings by pressing corresponding buttons. However, once you press Start/Pause to start the washing machine, the Child Lock will be reactivated.

- Child Lock locks all buttons except for Power.

- To activate or deactivate Child Lock, hold down Temp. and Rinse simultaneously for 3 seconds.

#### NOTE

To add detergent, put more laundry in the drum, or change the cycle settings whilst in the Child Lock state, you must first deactivate the Child Lock.

#### Sound On/Off

You can turn on or off the key. Your setting will remain effective after you restart the machine.

- To mute the sound, hold down Rinse and Spin simultaneously for 3 seconds.
- To unmute the sound, hold down again for 3 seconds.

## Maintenance

Keep the washing machine clean to prevent deteriorated performance and to preserve its life cycle.

### Drum Clean

Perform this course regularly to clean the drum and to remove bacteria from it.

1. Press Power to turn on washing machine.
2. Turn the Cycle Selector to select DRUM CLEAN.
3. Press Start/Pause.

#### NOTE

The water temperature for DRUM CLEAN is set to 70 °C, which cannot be changed.

Due to the features of the washing machine, the water temperature is set to 70 °C during the Drum Clean cycle, but the display can only show 60 °C on the control panel.

#### CAUTION

Do not use any cleaning agents for cleaning the drum. Chemical residue in the drum deteriorates the washing performance.

### Smart check

To enable this function, you must first download the Samsung Smart Washer app at the Play Store or the Apple Store, and install it on a mobile device featuring a camera function.

The Smart Check function has been optimized for Galaxy & iPhone series (applicable models only).

1. Press and hold Spin and Dry Level simultaneously for 3 seconds to enter the Smart Check mode.

2. The washing machine starts the self diagnosis procedure and displays an information code if a problem is detected.
3. Run the Samsung Smart Washer app on your mobile device, and tap Smart Check.
4. Put the mobile device close to the washing machine's display so that the mobile device and the washing machine face each other. Then, the information code will be recognized automatically by the app.
5. When the information code is recognized correctly, the app provides detailed information about the problem with applicable counteractions.

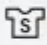

**NOTE**

- The function name, Smart Check, may differ depending on the language.
- If the washing machine reflects light on the display, the app may fail to recognize the information code.
- If the app fails to recognize the Smart Check code consecutively, enter the information code manually onto the app screen.

**USING DRY COURSE**

All drying options except for the Time Dry option detect the weight of the laundry in order to display a more accurate drying time and dry the laundry more effectively.

Refer to the chart below to select the appropriate drying option according to the type and amount of laundry and the moisture you want to leave.

Mode	Drying option	Usage	Load capacity(kg)	
			Cotton Dry	Synthetics Dry
Auto Drying	 Cupboard	Use this option to dry laundry such as cotton, underwear, and linen.	5 kg	3 kg
Manual Drying	 Time Dry	Use this option to dry the laundry for the specified period of time depending on the fibres, amount of laundry quantity and moisture.	30 ~ 270 min (in 30 minutes increments).	30 ~ 270 min (in 30 minutes increments).

**NOTE**

- The drying result may differ depending on the selected washing cycle and the type/ amount of laundry.
- If both washing and drying cycles are selected, the spin speed is automatically set to enhance the drying efficiency.
- In case you want to dry laundry after a hand wash, turn the cycle selector to select the spin cycle, and then select a drying option for best performance.
- When drying is complete, dust from the dry surface of the clothes may remain on the diaphragm due to the ironing effect that prevents wrinkles. The dust will be washed away



during the following wash. Alternatively, you can easily remove it with a damp towel or cloth.

## AIR WASH

The Air Wash function refreshes garments through Samsung's unique air-washing technology without the need for water.

Refer to the chart below for the usage and cycle time of each Air Wash cycle.

Cycle	Usage	Cycle time
Deodorization	Use this cycle to remove bad odors from the laundry.	29min
Sanitization	Use this cycle to remove bad odors and bacteria from the laundry.	59min

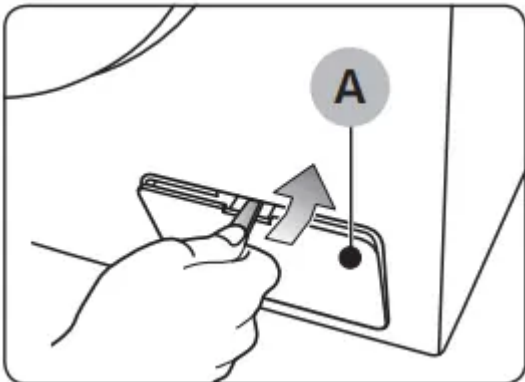
### NOTE

- The recommended maximum load capacity for the Air Wash cycles is 1 kg or less (one or two items). If you overload the drum,, the deodorization or sanitization efficiency may be reduced.
- You can add a fragrance sheet to the laundry to add fragrance during the Air Wash cycle

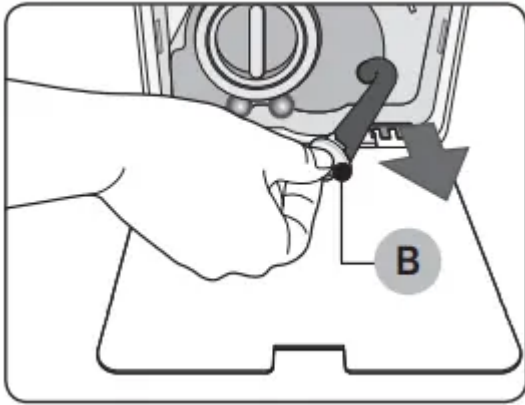
## Emergency drain

In case of a power failure, drain the water inside the drum before taking out the laundry.

1. Power off and unplug the washing machine from the electrical outlet.
2. Open the filter cover (A) using a coin or thin metal object.



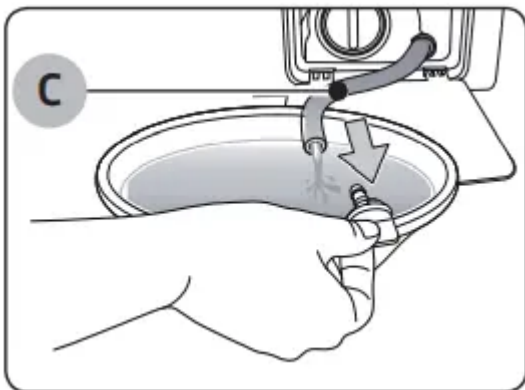
3. Put an empty, spacious container around the cover, and stretch the emergency drain tube to the container while holding the tube cap (B).



4. Open the tube cap and let water in the Emergency drain tube (C) flow into the container.

5. When done, close the tube cap, and reinsert the tube. Then, close the filter cover.

NOTE Use a spacious container because the water in the drum may be more than expected.



## Cleaning

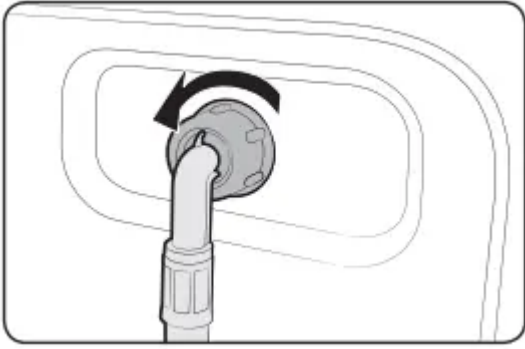
### Surface of the washing machine

Use a soft cloth with a nonabrasive household detergent. Do not spray water onto the washing machine.

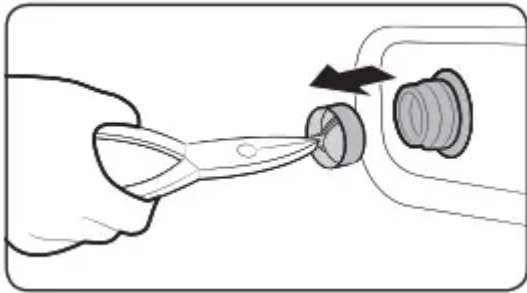
### Mesh filter

Clean the mesh filter of the water hose once or twice a year.

1. Turn off the washing machine, and unplug the power cord.
2. Close the water tap.
3. Loosen and disconnect the water hose from the back of the washing machine. Cover the hose with a cloth to prevent water from gushing out.



4. Use pliers to pull out the mesh filter from the inlet valve.
5. Submerge the mesh filter deeply in water so that the threaded connector is also submerged.
6. Dry the mesh filter completely in the shade.
7. Reinsert the mesh filter into the inlet valve, and reconnect the water hose to the inlet valve.
8. Open the water tap.

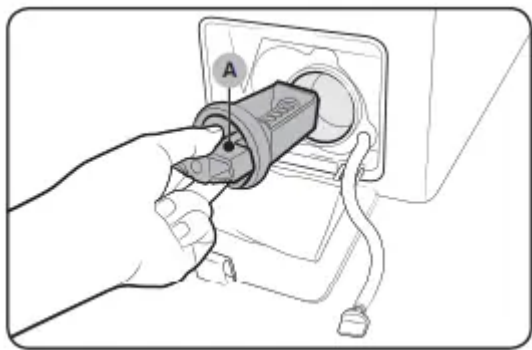


NOTE If the mesh filter is clogged, an information code of “4C” appears on the screen.

### **Pump filter**

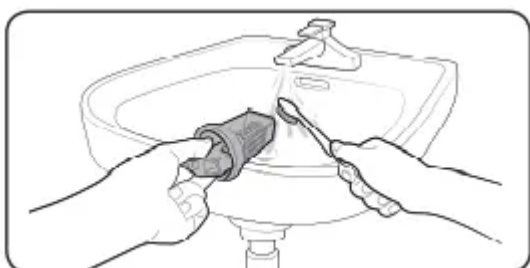
It is advisable to clean the pump filter 5 or 6 times a year to prevent its clogging. A clogged pump filter may reduce the bubble effect.

1. Turn off the washing machine, and unplug the power cord.
2. Drain the remaining water inside the drum by referring to “Emergency drain” .
3. Open the filter cover using a coin or key.
4. Turn the pump filter knob (A) to the left, and drain off the remaining water.



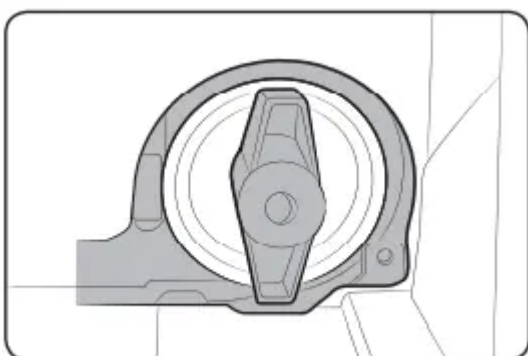
5. Clean the pump filter using soft brushes. Make sure the drain pump propeller inside the filter is unclogged.

6. Reinsert the pump filter, and turn the filter knob to the right.



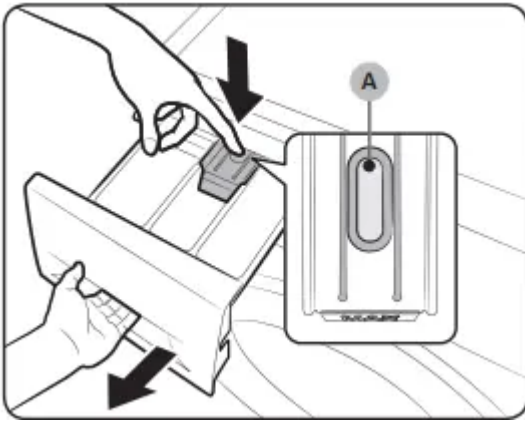
#### NOTE

- Some pump filters feature a safety knob that is designed to prevent accidents by children. To open the safety knob of the pump filter, push in and turn it anticlockwise. The spring mechanism of the safety knob helps open the filter.
- To close the safety knob of the pump filter, turn it clockwise. The spring makes a rattling sound, which is normal.

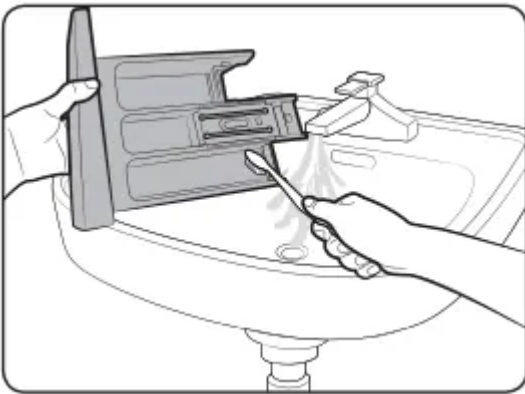


### Detergent Drawer

1. While holding down the release lever (A) on the inner of the drawer, slide open the drawer.
2. Remove the release lever and the liquid detergent container from the drawer.



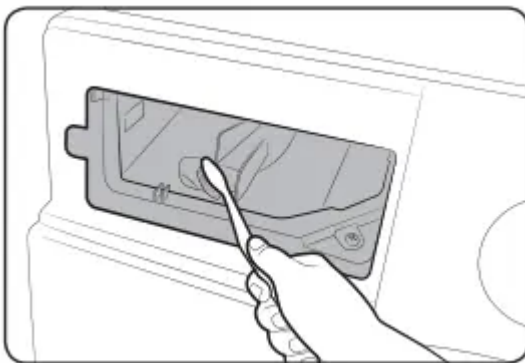
3. Clean the drawer components in flowing water using a soft brush.



4. Clean the drawer recess using a soft brush.

5. Reinsert the release lever and the liquid detergent container to the drawer.

6. Slide the drawer inward to close it.



## Recovery from freezing

The washing machine may freeze when it drops below 0 °C.

1. Turn off the washing machine, and unplug the power cord.
2. Pour warm water over the water tap to loosen the water hose.
3. Disconnect the water hose, and soak it in warm water.
4. Pour warm water into the drum and leave it for about 10 minutes.

5. Reconnect the water hose to the water tap.

#### NOTE

If the washing machine still doesn't operate normally, repeat the above steps until it operates normally.

### Care against an extended time of disuse

Avoid leaving the washing machine unused for an extended time.

If this is the case, drain the washing machine and unplug the power cord.

1. Turn the Cycle Selector to select a RINSE+SPIN.
2. Empty the drum, and press Start/Pause.
3. When the cycle is complete, close the water tap and disconnect the water hose.
4. Turn off the washing machine, and unplug the power cord.
5. Open the door to let air circulate through the drum.

## Troubleshooting

### Checkpoints

If you encounter a problem with the washing machine, first check the table below and try the suggestions.

#### Does not start.

- Make sure the washing machine is plugged in.
- Make sure the door is properly closed.
- Make sure the water taps are open.
- Make sure to press or tap Start/Pause to start the washing machine.
- Make sure Child Lock is not activated.
- Before the washing machine starts to fill, it will make a series of clicking noises to check the door lock and does a quick drain.
- Check the fuse or reset the circuit breaker.

#### Water supply is insufficient, or no water is supplied.

- Fully open the water tap.
- Make sure the door is properly closed.
- Make sure the water supply hose is not frozen.
- Make sure the water supply hose is not kinked or clogged.
- Make sure there is sufficient water pressure.

**After a cycle, detergent remains in the detergent drawer.**

- Make sure the washing machine is running with sufficient water pressure.
- Make sure the detergent is added to the centre of the detergent drawer.
- Make sure the rinse cap is inserted properly.
- If using granular detergent, make sure the detergent selector is in the upper position.
- Remove the rinse cap and clean the detergent drawer

**Excessive vibrations or makes noise.**

- Make sure the washing machine is installed on a level, solid floor that is not slippery. If the floor is not level, use the levelling feet to adjust the height of the washing machine.
- Make sure the shipping bolts are removed.
- Make sure the washing machine is not contacting any other object.
- Make sure the laundry load is balanced.
- The motor can cause noise during normal operation.
- Overalls or metal-decorated clothes can cause noise while being washed. This is normal.
- Metal objects such as coins can cause noise. After washing, remove these objects from the drum or filter case.

**Does not drain and/ or spin.**

- Make sure the drain hose is straightened all the way to the drain system. If you encounter a drain restriction, call for service.
- Make sure the debris filter is not clogged.
- Close the door and press or tap Start/Pause. For your safety, the washing machine will not tumble or spin unless the door is closed.
- Make sure the drain hose is not frozen or clogged.
- Make sure the drain hose is connected to a drain system that is not clogged.
- If the washing machine is not supplied with sufficient power, the washing machine temporarily will not drain or spin. As soon as the washing machine regains sufficient power, it will operate normally.

**The door does not open.**

- Press or tap Start/Pause to stop the washing machine.
- It may take a few moments for the door lock mechanism to disengage.
- The door will not open until 3 minutes after the washing machine has stopped or the power turned off.
- Make sure all the water in the drum is drained.

- The door may not open if water remains in the drum. Drain the drum and open the door manually.
- Make sure the door lock light is off. The door lock light turns off after the washing machine has drained.

#### **Excessive suds.**

- Make sure the Auto Detergent and Auto Softener settings are properly configured.
- Make sure you use the recommended types of detergent as appropriate.
- Use high efficiency (HE) detergent to prevent oversudsing.
- Reduce the detergent amount for soft water, small loads, or lightly soiled loads.
- Non-HE detergent is not recommended.

#### **Cannot apply additional detergent.**

- Make sure the remaining amount of detergent and fabric softener is not over the limit.
- Make sure the Auto Dispense function is activated, with both the Water Hardness and Concentration settings properly specified.

#### **Stops.**

- Plug the power cord into a live electrical outlet.
- Check the fuse or reset the circuit breaker.
- Close the door and press or tap Start/Pause to start the washing machine. For your safety, the washing machine will not tumble or spin unless the door is closed.
- Before the washing machine starts to fill, it will make a series of clicking noises to check the door lock and does a quick drain.
- There may be a pause or soak period in the cycle. Wait briefly and the washing machine may start.
- Make sure the mesh filter of the water supply hose at the water taps are not clogged. Periodically clean the mesh filter.
- If the washing machine is not supplied with sufficient power, the washing machine temporarily will not drain or spin. As soon as the washing machine regains sufficient power, it will operate normally.

#### **Fills with the wrong water temperature.**

- Fully open both taps.
- Make sure the temperature selection is correct.
- Make sure the hoses are connected to the correct taps. Flush water lines.
- Make sure the water heater is set to supply a minimum 120 °F (49 °C) hot water at the tap. Also, check the water heater capacity and recovery rate.

- Disconnect the hoses and clean the mesh filter. The mesh filter may be clogged.
- While the washing machine fills, the water temperature may change as the automatic temperature control feature checks incoming water temperature. This is normal.
- While the washing machine fills, you may notice just hot and/ or just cold water going through the dispenser when cold or warm temperatures are selected. This is a normal function of the automatic temperature control feature as the washing machine determines the water temperature.

**Load is wet at the end of a cycle.**

- Use the High or Extra High spin speed.
- Use high efficiency (HE) detergent to reduce oversudsing.
- Load is too small. Small loads (one or two items) may become unbalanced and not spin completely.
- Make sure the drain hose is not kinked or clogged.

**Leaks water.**

- Make sure the door is properly closed.
- Make sure all hose connections are tight.
- Make sure the end of the drain hose is correctly inserted and secured to the drain system. Avoid overloading.
- Use high efficiency (HE) detergent to prevent oversudsing.

**Has odours.**

- Excessive suds collect in recesses and can cause foul odours.
- Run cleansing cycles to sanitize periodically.
- Clean the door seal (diaphragm).
- Dry the washing machine interior after a cycle has finished.

**No bubbles are seen (Bubbleshot models only).**

- Overloading may screen bubbles.
- Severely contaminated laundry may not generate bubbles.

**Wi-Fi does not work (Wi-Fi models only).**

- Make sure the Internet connection to your house is properly established.
- Make sure the router turns on and operates normally.
- Make sure you have installed the latest version of the Smart Control App

## Information codes

The washer may display information codes to help you understand what is occurring with your washer better.

### Code - 1C

The WaterLevel sensor is not working properly.

- Try power off and restarting the cycle.
- Check WaterLevel Sensor wire harness.
- If the information code remains, contact a customer service centre.

#### NOTE

When the washer displays "1C", the washer do draining for 3 minutes. During this time, the Power button is inoperative.

### Code - 3C

Check the motor for operation.

- Try restarting the cycle.
- If the problem continues, call for service.

### Code - 4C

Water is not supplied.

- Make sure the water taps are open.
- Make sure the water hoses are not clogged.
- Make sure the water taps are not frozen.
- Make sure the washing machine is operating with sufficient water pressure.
- Make sure that the cold water tap and the hot water tap are properly connected.
- Clean the mesh filter as it may be clogged.

#### NOTE

When the washer displays "4C", the washer do draining for 3 minutes. During this time, the Power button is inoperative.

### Code - 4C2

- Make sure the cold water supply hose is firmly connected to the cold water tap.

If it is connected to the hot water tap, the laundry may be deformed with some cycles.

### Code - 5C

Water is not draining.

- Make sure the drain hose is not frozen or clogged.

- Make sure the drain hose is positioned correctly, depending on the connection type.
- Clean the debris filter as it may be clogged.
- Make sure the drain hose is straightened all the way to the drain system.
- If the information code remains, contact a customer service centre.

#### **Code - AC**

Check communications between main and sub PBAs.

- Try power off and restarting the cycle.
- If the information code remains, contact a customer service centre.

#### **Code - DC**

Operating the washer with the door open.

- Make sure the door is properly closed.
- Make sure laundry is not caught in the door.

#### **Code - HC**

High temperature heating check.

- If the information code remains, contact a customer service centre.

#### **Code - LC/LC1**

Check the drain hose.

- Make sure the end of the drain hose is placed on the floor.
- Make sure the drain hose is not clogged.
- If the information code remains, contact a customer service centre.

#### **NOTE**

When the washer displays “LC/LC1”, the washer do draining for 3 minutes. During this time, the Power button is inoperative.

#### **Code - OC**

Water is overflowed.

- Restart after spinning.
- If the information code remains on the display, contact a local Samsung service centre.

#### **Code - PC**

When position of the clutch can't be detected.

- If the information code remains, contact a customer service centre.

#### **Code - PC1**

After position of the clutch is detected, if the signal of the clutch hall goes wrong.

- If the information code remains, contact a customer service centre.

### **Code - UB**

Spinning does not work.

- Make sure laundry is spread out evenly.
- Make sure the washing machine is on a flat, stable surface.
- Redistribute the load. If only one item of clothing needs washing, such as a bathrobe or pair of jeans, the final spin result might be unsatisfactory, and an “Ub” check message will be

### **Code - UC**

The electronic control needs to be checked (Over Voltage Error).

- Check the PCB and wire harness.
- Check if power is supplied properly.
- If the information code remains, contact a customer service centre.

Low voltage detected

- Check if the power cord is plugged in.
- If the information code remains, contact a customer service centre.

#### **Warning**

This content is compiled from multiple sources and is provided for reference purposes only. It may not be complete or fully applicable to all situations. If you are unable to resolve your issue, please contact the product manufacturer or an authorized service provider for official support.