

## Quick Start Assembly

1. INSERT HANDLE WAND INTO TOP OF VAC. SECURE YOUR HOSE HERE.



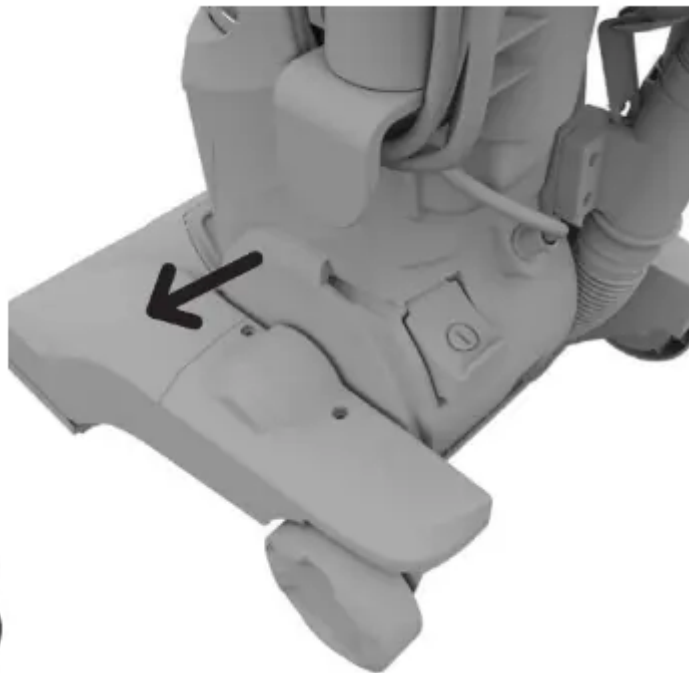
2. NOW, WRAP THE CORD AROUND THE CORD HOOKS! (Not all models have this



2

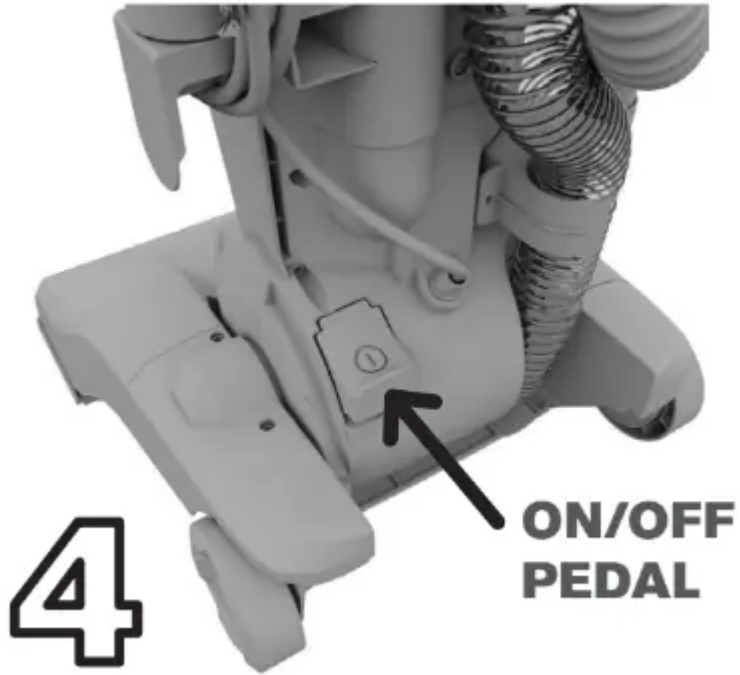
feature)

3. STEP HERE AND PULL BACKWARDS TO RECLINE.



3

4. PLUG IN THE CORD AND PRESS HERE TO POWER UP.



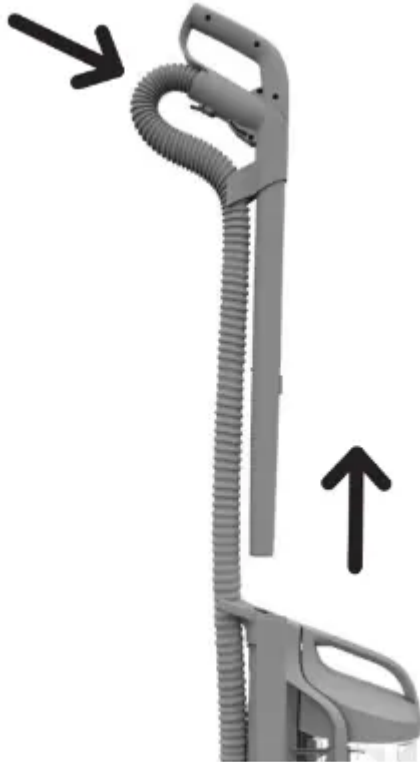
## Tools

**QUICK-RELEASE CLEANING WAND\*(\*Accessories not included on all models.)**

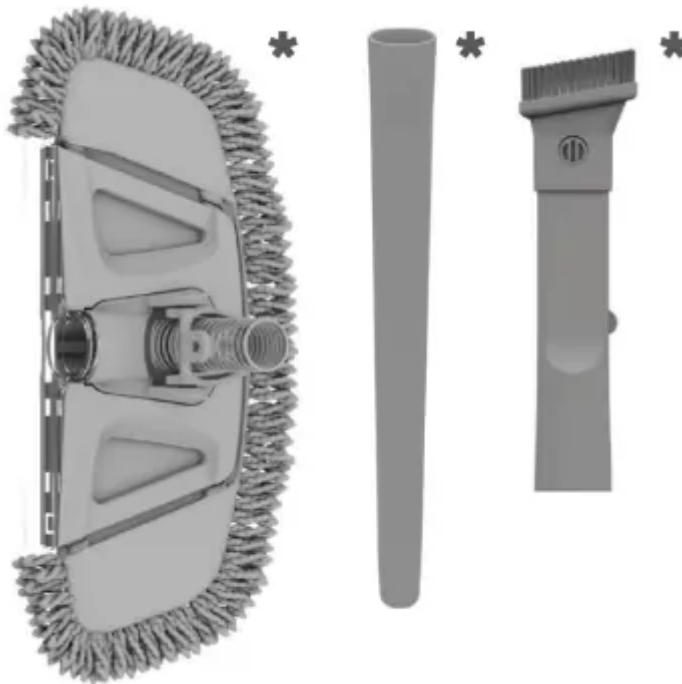
1. Press the wand release button.



2. Pull the wand up & out and insert the hose into the wand.



3. Push the tools on the wand\* for convenient cleaning. When you're done, twist & pull to



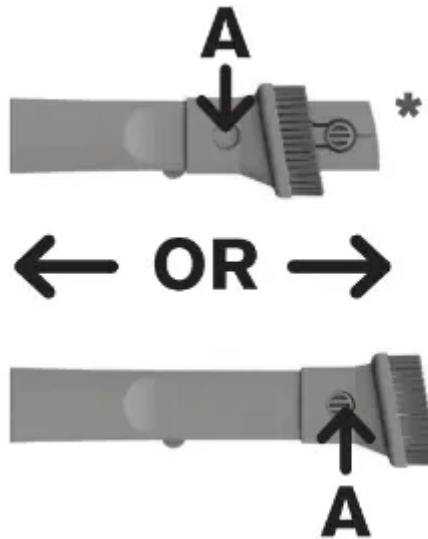
take them off.

### COMPLETE ON-BOARD TOOLKIT

**CAUTION:** Not to be used for grooming a pet.

**WARNING:** Unplug the vacuum before connecting the hose, wand, or tools.





**2-IN-1 COMBO TOOL:** Use the Crevice Tool for tight spaces, corners, stair edges, and baseboards. Try the Dusting Brush for furniture, table tops, lamps, blinds, and more. Press the lock button (A) down and slide to switch between modes.



**VAC+DUST FLOOR TOOL WITH SWIPESTM\*:** Vacuum and dust most hard floor surfaces.



**EXTENSION WAND:** Attach to cleaning wand for longer reach on above and hard floor cleaning.



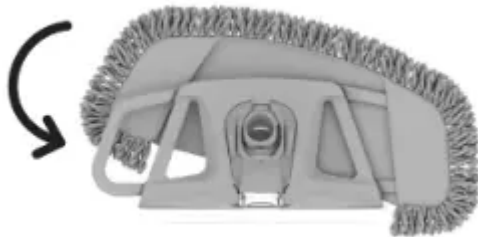
TURBO TOOL®: For upholstered furniture, draperies, mattresses, and stairs.

\*Accessories not included on all models.

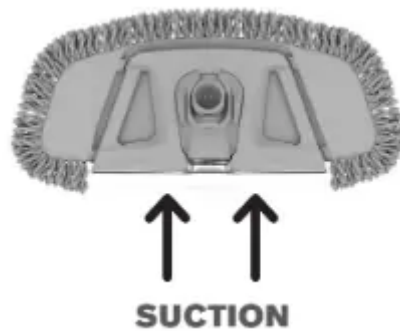
### **HARD FLOOR CLEANING WITH SWIPES \***

Vac+Dust Floor Tool with SWIPE™ Washable Microfiber Dusting Pad picks up dirt, dust, debris & pet hair. Your Featherlite® will get the rest.

1. Slide one side in the pocket and then the other.



2. The vacuum picks up dirt and debris from your hard floors while the Microfiber



SWIPE™ pad picks up the rest.

\*Accessories not included on all models.

### **ABOVE FLOOR CLEANING**

1. Remove Quick Release Cleaning Handle Wand for convenient above-floor cleaning.

2.



Insert the hose into the handle wand.

3. Attach extension wand and 2-in-1 tool for improved cleaning.

**CAUTION:** Use extra care when cleaning on stairs. To avoid personal injury or damage, and to prevent the cleaner from falling, always place the cleaner at bottom of the stairs or on the floor. Do not place cleaner on stairs or furniture, as it may result in injury or damage. When using tools, always ensure the handle is in an upright position.

## How to

### EMPTY THE DIRT CUP

1. Dump the dirt when it's full.

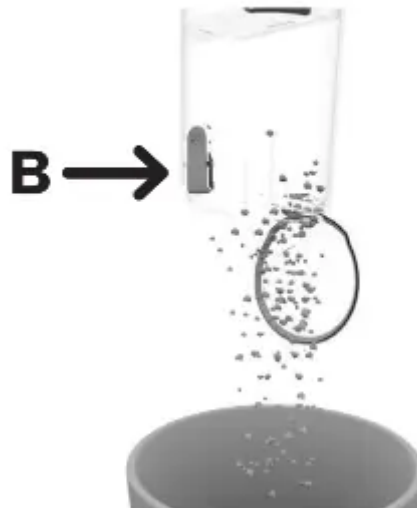


2. Push the release button (A) then pull out the dirt cup.



This would be a good point to check the condition of your filter. Dirty? Check out for cleaning steps.

3. Now ditch the dirt by pushing the lower button (B). Give it a wipe to remove dust.



4. Place back in the bottom first. Push the top of the cup against the back panel and it'll click into place.



## CLEAN THE RINSABLE FILTER

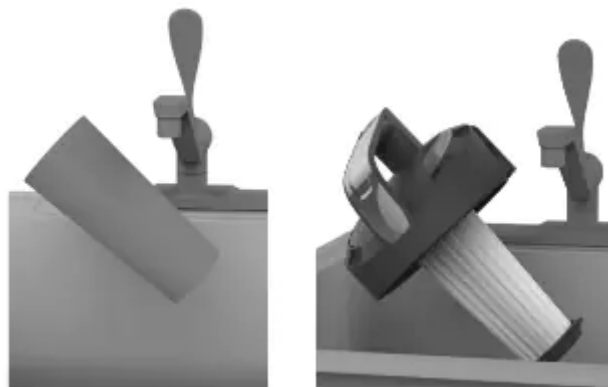
1. Remove the dirt cup. Twist the handle to remove the top from the dirt cup. Gently remove the filter from the handle.



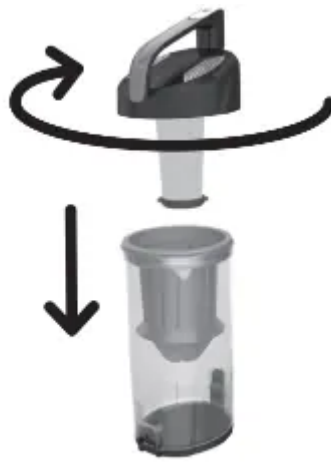
2. Tap clean into a trashcan.



3. All pieces are printable. Allow drying 24 hours before



4. **TWIST** the filter back into the handle, place the handle back on the dirt cup, and twist to close. Replace the dirt cup with the vacuum.



## CLEAN THE EXHAUST FILTER\*

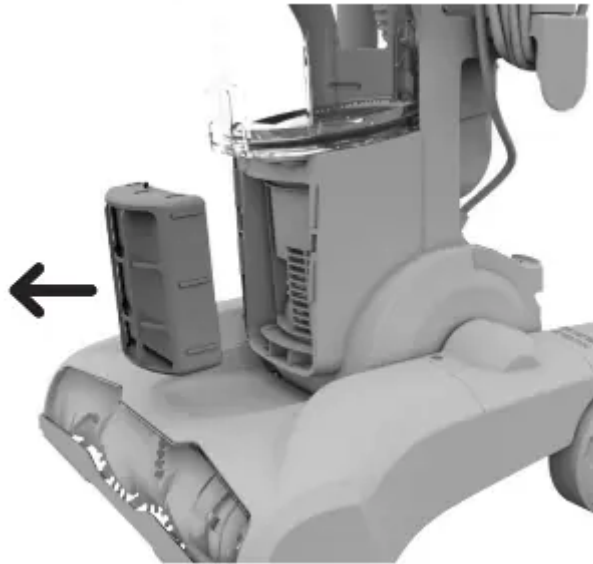
(\*NOT ALL MODELS HAVE THIS FEATURE)

**WARNING:** To reduce the risk of personal injury - Unplug before cleaning or servicing. Do not use a vacuum without a dirt cup or filters in place.

1. Push the tab on the front of the cover to pivot out.



2. Pull out the filter, rinse the dirt from both sides, and let the air dry for 24 hours before reinstalling or until dry.



3. Put the dry filter back. Now line up the filter cover with the bottom tabs first and then snap it back into place.



## **CLEAN THE CYCLONIC ASSEMBLY**

**WARNING:** To reduce the risk of personal injury – Unplug before cleaning or servicing. Do not use a vacuum without a dirt cup or filters in place.

1. Twist counterclockwise to open the dirt cup. Pull cyclonic assembly out of dirt cup.



2. Use the Dusting Tool to clean the cyclonic assembly. (\*Accessories not included with all



models.)

## CLEAN THE BRUSH ROLL

**CAUTION:** To reduce the risk of injury from moving parts - Unplug before servicing.

1. Turn your vacuum over. Use a Phillips screwdriver to take off the 6 screws. Remove the bottom

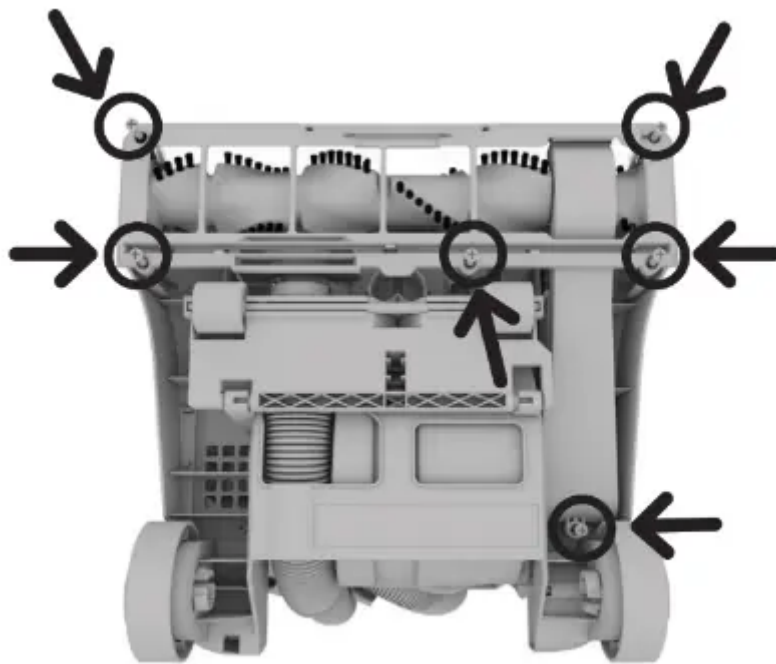
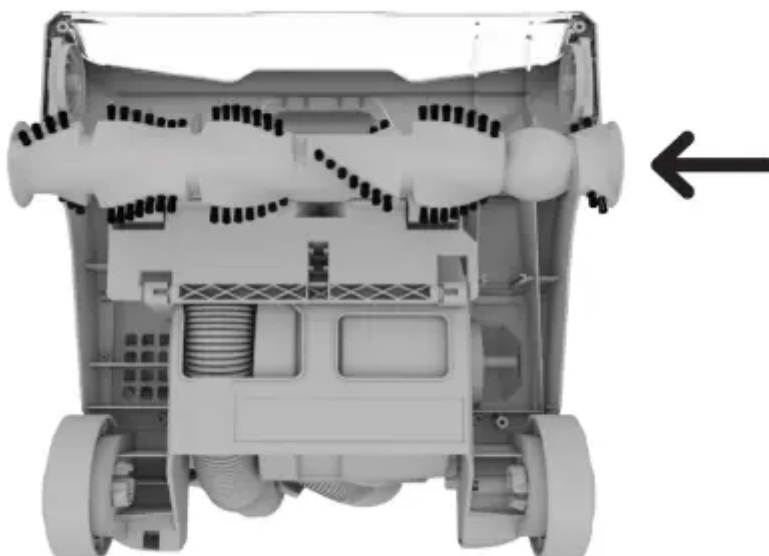
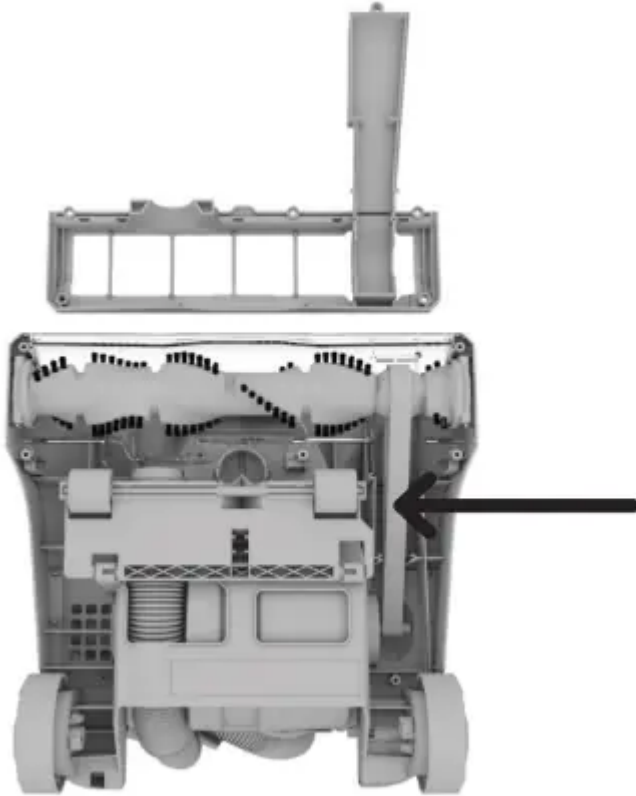


plate.

2. Clean the brush roll.



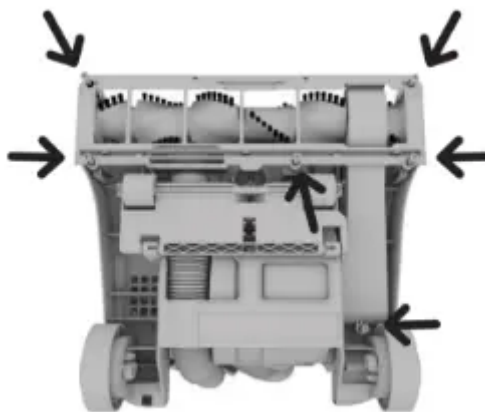
3. Slide on the belt with the lettering on the outside.



## REPLACE THE BELT

**CAUTION:** To reduce the risk of injury from moving parts - Unplug before servicing.

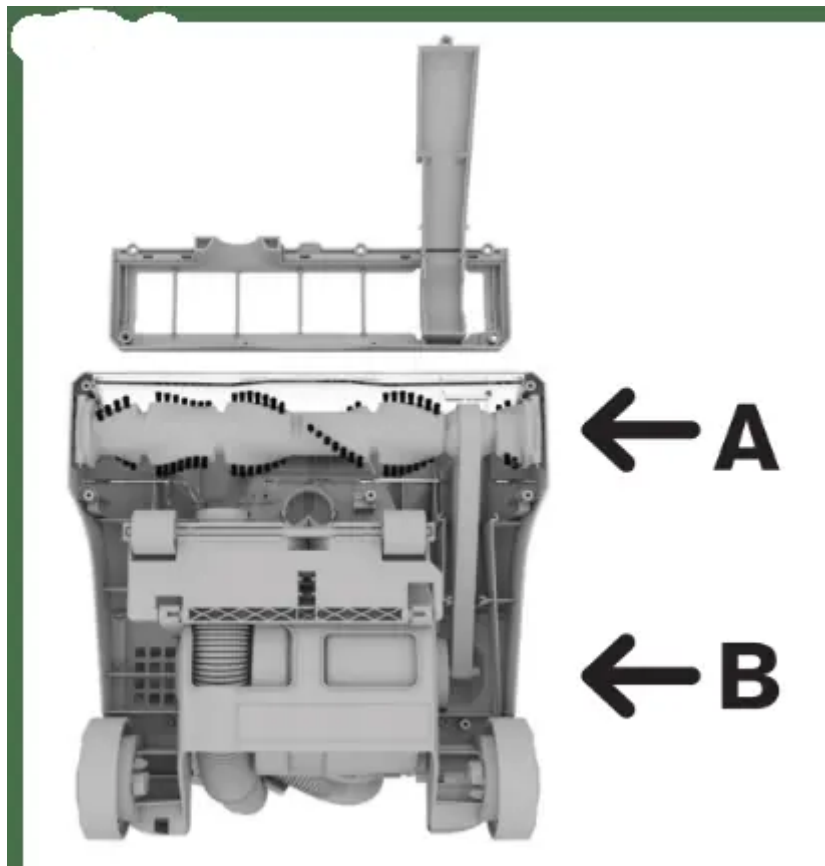
1. Turn your vacuum over. Use a Phillips screwdriver to take off the 6 screws. Remove the bottom plate.



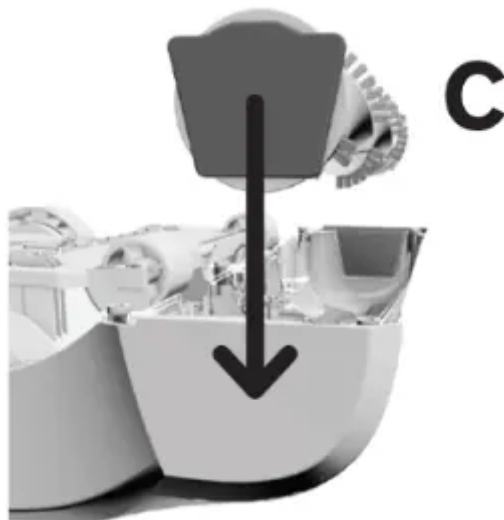
2. Then take off that old belt. Slide on a new belt with the lettering on the outside



3. Slip the belt around the brush roll in an area without bristles (A) and metal pin (B). Each end of the brush roll will fit into pockets on each side of the nozzle (C). Put the plate back on and screw it together.



**LUBRICATION:** The motor and brush roll are equipped with bearings that contain sufficient lubrication for their lifetime. The addition of lubricant could cause damage. Do not add lubricant to the motor or brush roll.



**NOTE:** Any other servicing should be done by an authorized service representative. If an appliance is not working as it should, has been dropped, damaged, left outdoors, or dropped into water, take it to a service center prior to continuing use.

## Troubleshooting

Any other servicing should be done by an authorized service representative. If an appliance is not working as it should, has been dropped, damaged, left outdoors, or dropped into water, take it to a service center prior to continuing use.

**WARNING:** To reduce the risk of personal injury - Unplug before cleaning or servicing.

### The vacuum won't run

- The power cord is not firmly plugged into the outlet.
  - Plug the unit in firmly.
- No voltage in the wall plug.
  - Check the fuse or breaker in the home.
- Blown fuse or tripped breaker.
  - Replace fuse/reset breaker in home.
- Thermal Protector activated.
  - Unplug and allow the vacuum to cool for 30min. (This will reset the thermal protector)

### Dust escaping from the vacuum

- Dirt cup full.
  - Empty dirt cup.
- The dirt cup is not installed correctly.
  - Review Dirt Cup removal & replacement.
- The hose is not installed correctly.
  - Review Hose installation.
- Rinse and/ or Filter made with HEPA media not installed completely.
  - Review Filter Removal and Cleaning.

### A smoky/burning smell detected

- Belt broken or stretched.
  - Replace the brush roll belt.
- The brush roll is clogged.
  - Clear/remove debris from the brush roll.

## Vacuum tools won't pick-up

- Hose clogged
  - Remove the hose and tools; remove the obstruction.
- Dirt cup full.
  - Empty dirt cup.
- One or both filters are clogged.
  - Remove both filters and clean.
- Vacuum not picking up debris.
  - The brush roll could be turned off or the belt could be broken.

**NOTE:** Any other servicing should be done by an authorized service representative. If an appliance is not working as it should, has been dropped, damaged, left outdoors, or dropped into water, take it to a service center prior to continuing use.

### Warning

This content is compiled from multiple sources and is provided for reference purposes only. It may not be complete or fully applicable to all situations. If you are unable to resolve your issue, please contact the product manufacturer or an authorized service provider for official support.