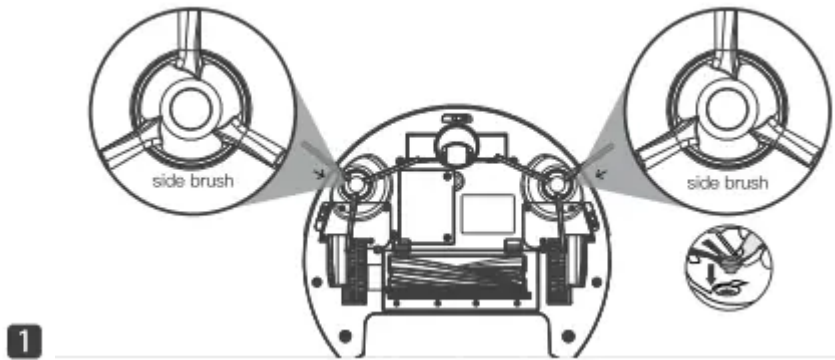


## Quick Start Guide

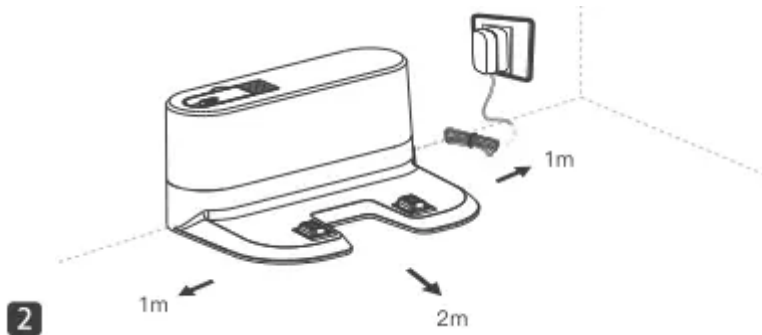
### User instructions



### Install the side brush

Attach Side Brushes to the bottom of robot by pressing a brush into each slot until it clicks.

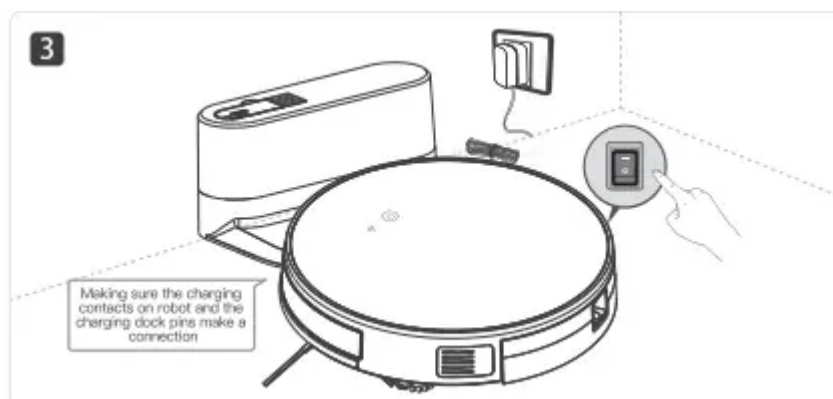
### Charging instructions





### Connect the power adaptor to charging dock

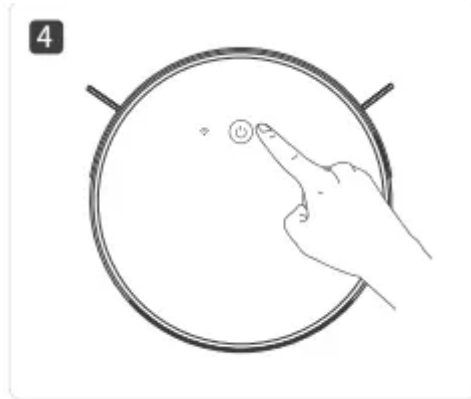
Place the Charging Dock on a level floor surface against the wall with the base perpendicular to the ground. Keep the immediate area 2m (6.6') in front of the charger and 1 m (8.3') on both sides of the charger clear of objects and reflective surfaces.

Plug the Charging Dock in. The Power Indicator Light on the Charging Dock glows.




## Charge Robot

Turn on the power switch. The robot will enter standby mode.  pink light/blue light breathing light flashes indicate charging.  When the blue light is off, it indicates charging is completed. Charge the robot or at best 4 hours before the first use.



## Start Cleaning

Automatic Cleaning Mode can be initiated by pressing the power button  on the robot or the AUTO button on the remote controller.

## APP user guide

### Download and install



#### 1 Scan the QR code to download and install the app

This app is compatible with iOS 9.0 and Android 4.0 or above.


iOS system: Please search "Lefant life" on the app store.

Android system: Please scan the QR code or search "Lefant life" on Google Play to download.

#### 2 Network pairing mode (Does not compatible with 5G WIFI)

Make sure the mobile device is connected to the indoor WIFI network, and the signal quality is good enough. Register and log in to the mobile app.



Press and hold the  start/pause button then turn on the switch on the side last for about 5 seconds, release the start/pause button when hearing voice prompt.



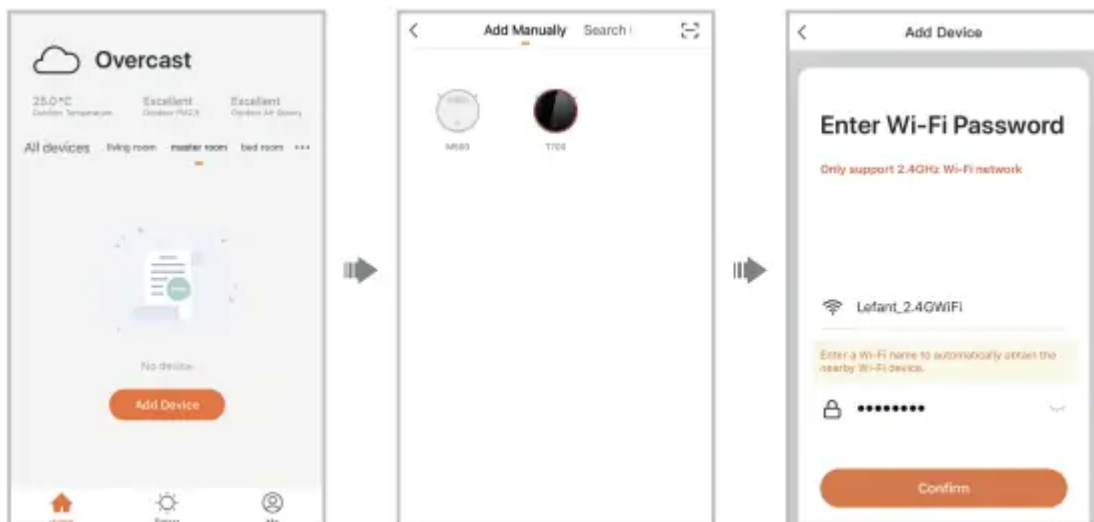
When the robot enters the network pairing mode, the network indicator light flashes.

### **Add device**

**3** Open the app and select add device. the interface as follows:

1. Open the APP main interface and select “add device”
2. Select the correct device model
3. Select your current usable WIFI network and enter password then select “Comfirm”.

If you experience with network pairing failure, please restart the robot and start over again. Or check the user manual for further information.



## Product Description

- 👍 **【Easy to Clean】** :Lefant M213 robot vacuum is designed as multifunctional 2 in 1 vacuuming and mopping (without water tank), equipped with the 500ml dust box and bilateral brush, sweep flexibly and thoroughly to narrow corners and edges, the filter system inside will prevent the second pollution of the machine. Easy to clean up and operate, offering you a lovely and comfortable home.
- 💡 **【Pretty Thin Body Design】** : With an 11" diameter and 2.8" Height, the M213 vacuum robot can work under or around the bed, sofa, and other furniture for a thorough cleaning with high coverage and ultra-low failure rate.
- 💪 **【Advantaged Powerful Suction】** : This robotic vacuum cleaner powered by an 2200 Pa strong digital motor, M213 features strong suction power and a unique inlet design which does not clog with pet's hair like other robot vacuums with a rotating brush, which makes the M213 great for pet owners. No worry of any hair entanglement.
- 🚦 **【Upgraded FreeMove Technology 2.0】** : Upgraded 6D built-in anti-collision infrared sensors help the robot vacuum senses the surrounding situation in 360 degrees. This can effectively help the robot vacuum cleaner detect probable stuck areas and adjust the cleaning path automatically.
- 😊 **【4 Clean Modes Your Needs】** : Vacuum Cleaner Robot offers 4 clean modes including ①Auto clean②Spot clean③Edge clean④Zigzag clean. Freely switch among different modes and power levels as you want via the Lefant App.
- 📱 **【Smart App & Voice Control】** :You can easily create a home clean schedule, change the clean mode, and control the clean direction by using the Lefant app. The automatic vacuum cleaner robot is also compatible with Alexa and Google Assistant, allowing users to make the robot start and stop the clean by voice commands. Use a robot vacuum to save you time and energy!
- 🔋 **【Long Life Battery & Automatically Recharge】** : The Robot Vacuum uses 1800mAh lithium iron phosphate batteries to make the robot vacuum cleaner durable and long-lasting and achieve up to 120Mins run time or approximately 1615 sqft. Lefant M213 robot vacuum automatically returns to the charging station when the cleaning cycle is complete or the battery gets low.

## Questions & Answers

- **Question: How do I get the unit to return to the charging port if I want it to stop cleaning? I pushed the home button on the remote but it keeps going?**
  - **Answer:** Hi, first of all, please make sure you have set the charging base against a wall without obstacles 6.7 ft in front and 3.4 ft on both sides. Secondly, when using the remote controller to return the unit home, please

make sure the distance between the remote and the robot is less than 16.5 ft.  
Should there be any other questions, please feel free to contact us at  
lefantrobot@gmail.com.

- **Question: Does fringe on a rug get tangled in the vacuum's brushes?**
  - **Answer:** Yes, that will stop it. You can roll it under the rug and it works fine.
- **Question: Can the vacuum handle fringe on rugs when cleaning?**
  - **Answer:** Yes this thing is super powerful it knocks my tree down all the time my fake one lo
- **Question: How many watt hours is this lithium battery?**
  - **Answer:** No idea but it cleans my entire home with sufficient vattery I have a 3/2
- **Question: how do I order replacement parts.**
  - **Answer:** Not sure sorry
- **Question: Le robot app works fine, but there is no Alexa skill for it. the smart life app does work with this, and Alexa, but only controls off/on.**
  - **Answer:** Hi, please remove Le Robot and download Lefant Life App to control your M501-B. As for the connection with Alexa, kindly understand that currently, the only function is to turn it on or off, our engineers are still working hard to develop more functions in the future. :)
- **Question: What country is it made in?**
  - **Answer:** IT IS MADE IN CHINA SHENZHEN

### **Warning**

This content is compiled from multiple sources and is provided for reference purposes only. It may not be complete or fully applicable to all situations. If you are unable to resolve your issue, please contact the product manufacturer or an authorized service provider for official support.